



Manual 2: Parts Reference

3010TM

Tub Grinder

Includes: Stationary Electric Supplement



0500114 • April 2025

DURATECH INDUSTRIES INTERNATIONAL INC.
PO BOX 1940, JAMESTOWN, ND 58402-1940
TEL: (701) 252-4601 • FAX: (701) 252-0502
WWW.DURATECHINDUSTRIES.NET • WWW.HAYBUSTER.COM



 **DURATECH[®]**
Clearing the Way for a Better Tomorrow



3010TM

Industrial Tub Grinder

Includes: Stationary Electric Supplement

Manual 2: Parts Reference

DuraTech Industries International Inc.(DuraTech) has made every effort to assure that this manual completely and accurately describes the operation and maintenance of the 3010TM Industrial Tub Grinder as of the date of publication. DuraTech reserves the right to make updates to the machine from time to time. Even in the event of such updates, you should still find this manual to be appropriate for the safe operation and maintenance of your unit.

This manual, as well as materials provided by component suppliers to DuraTech are all considered to be part of the information package. Every operator is required to read and understand these manuals, and they should be located within easy access for periodic review.

 **DURATECH**® is a registered trademark of Duratech Industries International, Inc.

3010 is a trademark of Duratech Industries International, Inc.



 **DURATECH[®]**
Clearing the Way for a Better Tomorrow



FOREWORD



Foreword

All personnel must read and understand before operating unit

DuraTech Industries International Inc.(DuraTech) has made every effort to assure that this manual completely and accurately describes the operation and maintenance of this Industrial Grinder as of the date of publication. DuraTech reserves the right to make updates to the machine from time to time. Even in the event of such updates, you should still find this manual to be appropriate for the safe operation and maintenance of your machine.

This manual, as well as materials provided by component suppliers to DuraTech Industries are all considered to be part of the information package. Every operator is required to read and understand these manuals. All manuals should be located within easy access for troubleshooting and periodic review.

Appropriate use of the unit

This Industrial Grinder is designed to grind wood waste and other materials, including grass clippings, leaves, construction and demolition debris, tree branches and tree trunks. It is **NOT** designed to grind rocks, steel, concrete, or the like.

Operator protection

As with all machinery, care needs to be taken by the operator in order to insure the safety of the operator and those in the surrounding area.



WARNING: Operators and those observing the operation of the Industrial Grinder are required to wear head, eye, and ear protection. No loose clothing is allowed.





TABLE OF CONTENTS

Manual 2: Parts Reference	1
MAIN FRAME ASSEMBLY (S.N. 3000 - 3019).....	2
MAIN FRAME ASSEMBLY (S.N. 3020 TO 3054).....	4
MAIN FRAME ASSEMBLY (S.N. 3055 & UP).....	6
FIFTH WHEEL HITCH ASSEMBLY	8
PINTLE HITCH - WITH FUEL TANK.....	10
REAR CHASSIS SUBASSEMBLY	12
AXLE AND TIRES.....	14
PLATFORM ASSEMBLY	16
PLATFORM ASSEMBLY (S.N. 50-2-EJ-3055 TO 50-2-GJ-3104).....	18
PLATFORM ASSEMBLY (S.N. 3105 TO 3129).....	20
PLATFORM ASSEMBLY (S.N. 3130 & UP)	22
TUB ASSEMBLY	24
TUB ASSEMBLY - NARROWED TUB.....	26
TUB DRIVE ASSEMBLY	28
TUB ROLLER ASSEMBLY	30
HEAVY PRESSURE ROLLER ASSEMBLY.....	32
ROTOR ASSEMBLY	34
ROTOR BEARINGS - SKF.....	36
DRIVE LINE ASSEMBLY	38
ROTOR BOX ASSEMBLY (S.N. 3000 TO 3019)	40
ROTOR BOX ASSEMBLY (S.N. 3020 TO 3054)	42
ROTOR BOX ASSEMBLY (S.N. 3055 & UP)	44
BELLY CONVEYOR ASSEMBLY (S.N. 3000 TO 3039).....	46
BELLY CONVEYOR ASSEMBLY (S.N. 3040 & UP).....	48
LOWER DISCHARGE CONVEYOR (S.N. 3000 TO 3019).....	50
LOWER DISCHARGE CONVEYOR (S.N. 3020 THRU 3089).....	52
LOWER DISCHARGE CONVEYOR (S.N. 3090 THRU 3140).....	54
LOWER DISCHARGE CONVEYOR (S.N. 3141 AND UP).....	56
MATERIAL SLIDE (S.N. 3020 & UP).....	58
UPPER DISCHARGE CONVEYOR (S.N. 3000 TO 3019)	60
UPPER DISCHARGE CONVEYOR (S.N. 3020 THRU 3140).....	62
UPPER DISCHARGE CONVEYOR (S.N. 3141 & UP)	64
TRANSITION CHUTE (S.N. 3020 & UP).....	66
CONTROL PANEL FRAME ASSEMBLY	68
TOP CONTROL PANEL ASSEMBLY (TIER II).....	70
TOP CONTROL PANEL ASSEMBLY (TIER III)	72
BOTTOM CONTROL PANEL ASSEMBLY (TIER II)	74
BOTTOM CONTROL PANEL ASSEMBLY (TIER III).....	76
CONTROL PANEL ASSEMBLY (S.N. 3131 & UP)	78
CAT TIER III KEY SWITCH PANEL.....	81
REAR AUXILIARY CONTROL PANEL.....	82



TABLE OF CONTENTS

ENGINE SHROUD ASSEMBLY (S.N. 3000 TO 3009)	84
ENGINE SHROUD ASSEMBLY (S.N. 3010 TO 3019)	86
ENGINE SHROUD ASSEMBLY (S.N. 3020 & UP)	88
ENGINE SHROUD ASSEMBLY - 525 HP	90
ENGINE SHROUD ASSEMBLY - 475 & 540 HP	92
ENGINE SHROUD ASSEMBLY - 475 & 540 HP - DETAIL A	93
ENGINE SHROUD ASSEMBLY - 475 & 540 HP - DETAILS B-E	94
ROTARY SCREEN ASSEMBLY (S.N. 3000 TO 3019)	96
ROTARY SCREEN ASSEMBLY (S.N. 3020 & UP)	98
ENGINE DUCTING - 463 & 525 HP	100
ENGINE DUCTING - 475 & 540 HP	102
BATTERY BOX ASSEMBLY - ORIGINAL STYLE	104
BATTERY BOX ASSEMBLY - NEW STYLE	106
FIFTH WHEEL FUEL TANK ASSEMBLY	108
HYDRAULIC OIL TANK (S.N. 3130 & UP)	110
CONVEYOR HYDRAULIC CIRCUIT	112
TUB HYDRAULIC CIRCUIT	112
TUB COVER AND HYDRAULIC JACK HYDRAULIC CIRCUITS	112
HYDRAULIC OIL TANK WITH HOSES AND FITTINGS (S.N. UP TO 3129)	113
HYDRAULIC OIL TANK WITH HOSES AND FITTINGS (S.N. 3130 & UP)	114
HYDRAULIC PUMP WITH HOSES AND FITTINGS	115
CONVEYOR RUN VALVE WITH HOSES AND FITTINGS	116
BELLY CONVEYOR MOTOR WITH HOSES AND FITTINGS	117
DISCHARGE CONVEYOR MOTOR WITH HOSES AND FITTINGS	118
AUXILIARY VALVE FITTINGS (S.N. THRU 3089)	119
AUXILIARY VALVE FITTINGS (S.N. 3090 & UP)	120
AUXILIARY VALVE SUPPLY HOSES AND FITTINGS (S.N. THRU 3089)	122
AUXILIARY VALVE SUPPLY HOSES AND FITTINGS (S.N. 3090 & UP)	124
AUXILIARY VALVE WORK HOSES AND FITTINGS	126
MANIFOLD BLOCK VALVE WITH HOSES AND FITTINGS	128
LIFT & FOLD HYDRAULIC CYLINDERS WITH HOSES AND FITTINGS	129
CONVEYOR SWING HYDRAULIC CYLINDER WITH HOSES AND FITTINGS	130
GOVERNOR VALVE WITH HOSES AND FITTINGS (S.N. THRU 3089)	131
GOVERNOR VALVE WITH HOSES AND FITTINGS (S.N. 3090 & UP)	132
TUB DRIVE MOTOR WITH HOSES AND FITTINGS (S.N. THRU 3089)	133
TUB DRIVE MOTOR WITH HOSES AND FITTINGS (S.N. 3090 & UP)	134
CONTROL PANEL WITH HOSES AND GAUGE FITTINGS (S.N. UP TO 3129)	135
PRESSURE GAUGES WITH HOSES AND FITTINGS (S.N. 3130 & UP)	136
HYDRAULIC PARTS LIST	139
CLUTCH OIL TANK	142
HYDRAULIC COOLERS	143
HYDRAULIC CLUTCH AND FILTER (S.N. UP TO 3129)	144



TABLE OF CONTENTS

PARTS LIST - CLUTCH OIL TANK - HYDRAULIC COOLERS- HYDRAULIC CLUTCH AND FILTER (S.N. UP TO 3129)	145
PARTS LIST - CLUTCH OIL TANK - HYDRAULIC COOLERS HYDRAULIC CLUTCH AND FILTER (S.N. UP TO 3129)	147
HYDRAULIC CLUTCH AND FILTER (S.N. 3130 & UP).....	148
CLUTCH VALVE (S.N. UP TO 3129)	150
CLUTCH TANK (S.N. 3130 AND UP).....	151
CLUTCH FILTER.....	153
HYDRAULIC TUB VALVE 4000207.....	154
HYDRAULIC CONVEYOR VALVE 4000208.....	155
HYDRAULIC AUXILIARY VALVE 4000210	156
HYDRAULIC MANIFOLD BLOCK VALVE 4000211	157
HYDRAULIC TUBE CLAMP ASSEMBLIES	158
ORBIT MOTOR.....	160
HYDRAULIC CYLINDER SEALS AND OTHER ITEMS	162
FLOW CONTROL VALVE - CV98 - 4300069	164
ELECTRO-HYDRAULIC VALVE CALIBRATION (S.N. GJ3090 & UP)	165
FUEL COOLER HOSES	166
STANDARD SCHEMATIC.....	168
REMOTE RADIO SCHEMATIC	169
GENERIC SWITCH LAYOUT	170
MAIN WIRING HARNESS - CONTROL PANEL.....	171
MAIN WIRING HARNESS - MACHINE.....	171
MAIN GRAPPLE LOADER HARNESS (5700518) - MACHINE	171
MAIN GRAPPLE LOADER HARNESS (5700518) - CONTROL PANEL.....	171
MAIN POWER WIRING HARNESS - 5700364	172
OLD CLUTCH HARNESS	173
CLUTCH WIRING HARNESS - 5700540.....	174
OMNEX RADIO WIRING HARNESS - 5700509	175
TAIL LIGHT WIRING HARNESS - 5700527	176
CAB LOADER SCHEMATIC.....	177
ELECTRICAL PARTS LIST	178
UNIVERSAL AIR BRAKE PARTS	180
UNITED STATES AIR BRAKES.....	182
AUSTRALIAN AIR BRAKES.....	184
ABS AIR BRAKES.....	186
MILL COVER ASSEMBLY	188
TUB COVER ASSEMBLY.....	190
HINGED TUB COVER ASSEMBLY.....	192
TUB COVER HYDRAULICS.....	194



TABLE OF CONTENTS

HYDRAULIC JACKS - PARTS	196
HYDRAULIC JACKS - CYLINDERS AND VALVES	198
HYDRAULIC JACKS - AUXILLARY AND JACK VALVE SUPPLY HOSES	200
AIR COMPRESSOR ASSEMBLY	202
TUB AGITATOR.....	204
MAGNETIC ROLLER ASSEMBLY (S.N. UP TO 3029).....	206
MAGNETIC ROLLER ASSEMBLY (S.N. 3030 AND UP)	208
TOOL BOX ASSEMBLY- OBSOLETE	210
PACKAGE TOOL BOX ASSEMBLY (OPTION).....	211
3010 HAMMER ROD PULLER OPTION (S.N. UP TO 3036).....	212
3010 HAMMER ROD PULLER OPTION SCHEMATIC (S.N. UP TO 3036)	214
3010 HAMMER ROD PULLER OPTION (S.N. 3037 AND UP)	216
3010 HAMMER ROD PULLER OPTION SCHEMATIC (S.N. 3037 AND UP).....	218
GRAPPLE LOADER OPTION AIR COMPRESSOR & TOOL BOX	220
GRAPPLE LOADER OPTION HYDRAULIC OIL TANK ASSEMBLY	222
GRAPPLE LOADER OPTION CAB	224
GRAPPLE LOADER OPTION CAB SWITCHES AND GAUGES	226
GRAPPLE LOADER OPTION - GRAPPLE STOP.....	228
GRAPPLE LOADER OPTION CAB LADDER.....	230
GRAPPLE LOADER OPTION HYDRAULIC SCHEMATIC	232
GRAPPLE LOADER OPTION PRESSURE GAUGE HYDRAULICS.....	233
GRAPPLE LOADER OPTION OIL TANK HYDRAULICS	234
GRAPPLE LOADER OPTION MAIN AND LOADER PUMP HYDRAULICS	235
GRAPPLE LOADER OPTION LOADER PILOT HYDRAULICS.....	236
GRAPPLE LOADER OPTION HYDRAULICS PARTS LIST	237
OMNEX RADIO REMOTE CONTROL	239
5700771 R160 RADIO HARNESS SCHEMATIC.....	240
5700773 TRACK MACHINE RADIO HARNESS SCHEMATIC	241
5700772 R160D180 TRACK RADIO HARNESS SCHEMATIC	242
5700774 R100E STANDARD RADIO HARNESS SCHEMATIC.....	243
5700775 POWER HARNESS, 1 RELAY SCHEMATIC	244
5700776 POWER HARNESS, 2 RELAY SCHEMATIC (GRAPPLE LOADER).....	245
5700777 CATERPILLAR ENGINE TIER 3 CONTROL PANEL JUMPER.....	246
5700786 3010 POWER HARNESS.....	247
5700812 HPTO BULKHEAD HARNESS	248
5700813 HPTO BULKHEAD #3 HARNESS	249
5700787 GRAPPLE LOADER POWER HARNESS.....	250
5701031 LOADER HARNESS-IN CONTOL PANEL (FOR S.N. 160 AND UP)	251
5701027 LIGHT AND SENSOR HARNESS	252
5701033 STANDARD MACHINE JUMPER HARNESS	253
5701047 JACKS EXTENSION HARNESS	254
DECALS	256



TABLE OF CONTENTS

3010 TRACK OPTION

TRACK FRAME AND FUEL TANK 3010 TRACK	258
TRACK HYDRAULIC TANK MOUNT ASSEMBLY	260
DISCHARGE CONVEYOR 3010 TRACK	262
DISCHARGE CONVEYOR - TRACK	264
3010 TRACK HYDRAULIC PARTS LIST (S.N. THRU 3129)	265
3010 TRACK HYDRAULIC PARTS LIST (S.N. 3130 & UP)	269
DISCHARGE ORBIT MOTOR 3010 TRACK (SHORT CONVEYOR OPTION)	274
BELLY ORBIT MOTOR 3010 TRACK (SHORT CONVEYOR OPTION)	276
CONVEYOR LIFT CYLINDER 3010 TRACK (SHORT CONVEYOR OPTION)	278
TUBE LINES FRONT 3010 TRACK	280
TUB DRIVE MOTOR/TILT CYLINDER 3010 TRACK	282
CONVEYOR VALVE 3010 TRACK	284
HYDRAULIC AUXILIARY VALVE 3010 TRACK	286
CLUTCH HYDRAULIC TANK 3010 TRACK	288
TUB DRIVE VALVES 3010 TRACK (THRU S.N. 50-2-FJ-3089)	290
TUB DRIVE VALVES 3010 TRACK (S.N. 50-2-GJ-3090 & UP)	292
RH TRACK PUMP & CLUTCH PUMP 3010 TRACK (S.N. THRU 3129)	294
RH TRACK PUMP & CLUTCH PUMP 3010 TRACK (S.N. 3130 & UP)	296
LH TRACK PUMP 3010 TRACK (S.N. THRU 3129)	298
LH TRACK PUMP 3010 TRACK (S.N. 3130 & UP)	300
HPTO CLUTCH 3010 TRACK (S.N. THRU 3129)	302
HPTO CLUTCH 3010 TRACK (S.N. 3130 & UP)	304
HYDRAULIC TANK LEFT SIDE 3010 TRACK (S.N. THRU 3129)	306
HYDRAULIC TANK RIGHT SIDE 3010 TRACK (S.N. THRU 3129)	308
HYDRAULIC TANK 3010 TRACK - VIEW 1 (S.N. 3130 & UP)	310
HYDRAULIC TANK 3010 TRACK - VIEW 2 (S.N. 3130 & UP)	312
HYDRAULIC TANK 3010 TRACK - VIEW 3 (S.N. 3130 & UP)	314
GEAR PUMP AUXILIARY/TUB 3010 TRACK	316
PRESSURE GAUGES 3010 TRACK	318
PRESSURE GAUGES (S.N. 3130 & UP)	320
OIL COOLERS 3010 TRACK	322
525 HP OIL COOLER BYPASS 3010 TRACK	324
TRACK SHIFT VALVES 3010 TRACK	326
RH TRACK MOTOR 3010 TRACK	328
LH TRACK MOTOR 3010 TRACK	330
TRACK CONTROL VALVES 3010 TRACK	332
4000249 CENTER SECTIONS	334
4000249 TIE ROD AND END SECTION	336
THROTTLE HARNESS RADIO REMOTE 3010 TRACK	338
3010 WEAR PARTS	340



TABLE OF CONTENTS

3010 STATIONARY ELECTRIC SUPPLEMENT

MOTOR FRAME ASSEMBLY342

MOTOR FRAME ASSEMBLY - DETAIL A343

MOTOR FRAME ASSEMBLY - MOTOR HOUSING.....344

JACK SHAFT AND BELT COVER ASSEMBLY346

AUGER ASSEMBLY.....348

TUB ASSEMBLY350

PINTLE HITCH352

3600448 DRIVE LINE.....353

TOP CONTROL PANEL354

HYDRALIC OIL TANK ASSEMBLY356

HYDRALICS FOR TANK, COOLER, AND PUMP358

AUGER HYDRALICS360

3010 DOCUMENTATION COMMENT FORM.....363

APPENDIX A SCHEMATIC FOLDOUTS 365

TUB HYDRAULIC CIRCUIT FO-1

TUB COVER AND HYDRAULIC JACK HYDRAULIC CIRCUITS..... FO-2

STANDARD WIRING SCHEMATIC FO-3

MAIN WIRING HARNESS - CONTROL PANEL..... FO-4

MAIN WIRING HARNESS - MACHINE FO-5

MAIN GRAPPLE LOADER HARNESS (5700518) - MACHINE
(FOR S.N. UP TO 159) FO-6

MAIN GRAPPLE LOADER HARNESS (5700518) - CONTROL PANEL
(FOR S.N. UP TO 159) FO-7

MAIN HARNESS (5701025) - CONTROL PANEL..... FO-8

MACHINE VALVES HARNESS (5701026)..... FO-9

MAIN GRAPPLE HARNESS (5700698) - CONTROL PANEL
(FOR S.N. 160 AND UP)..... FO-10

MAIN GRAPPLE LOADER HARNESS (5701032) - MACHINE
(FOR S.N. 160 AND UP)..... FO-11



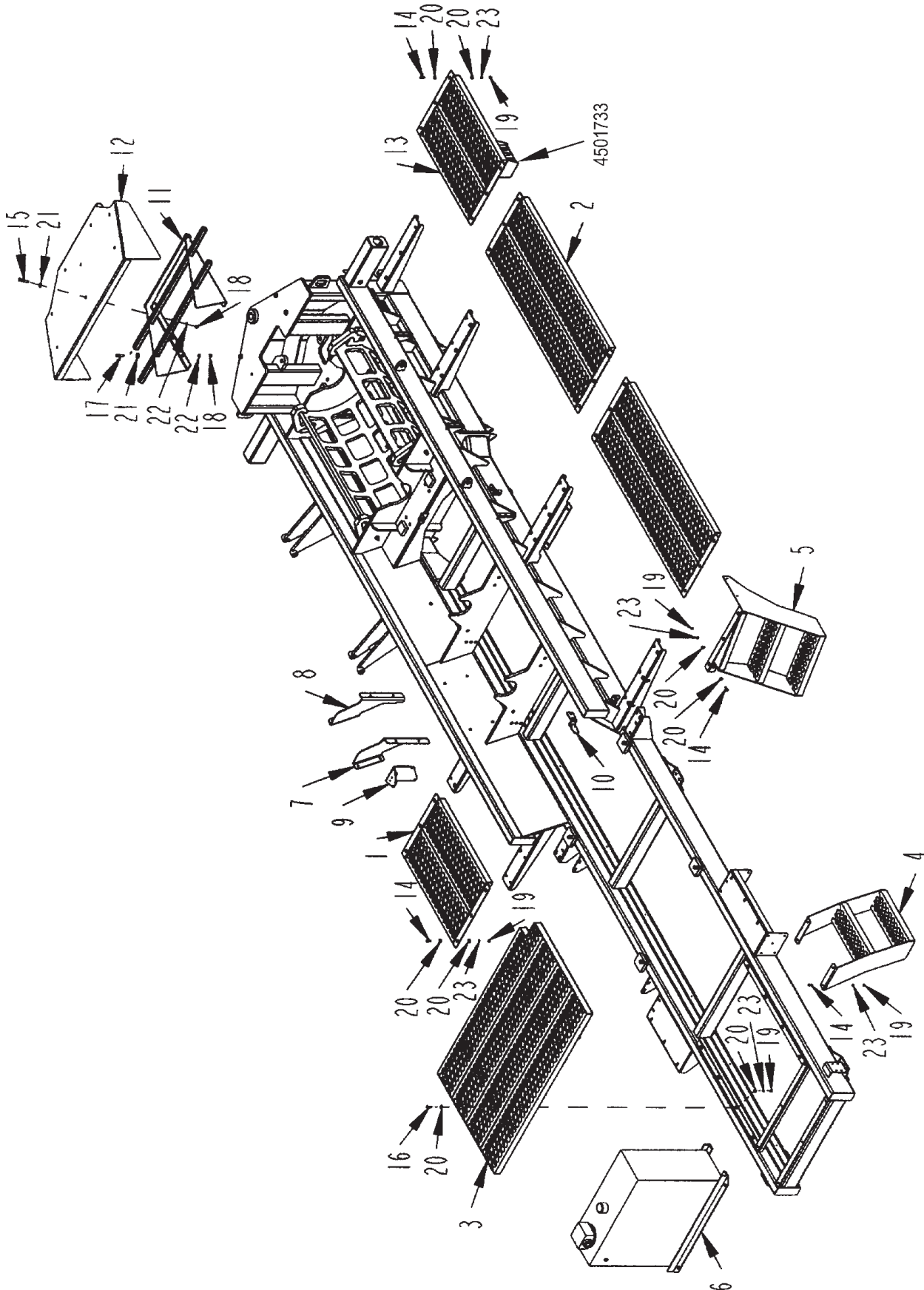
3010TM

Industrial Tub Grinder

Includes: Stationary Electric Supplement

**Manual 2:
Parts Reference**

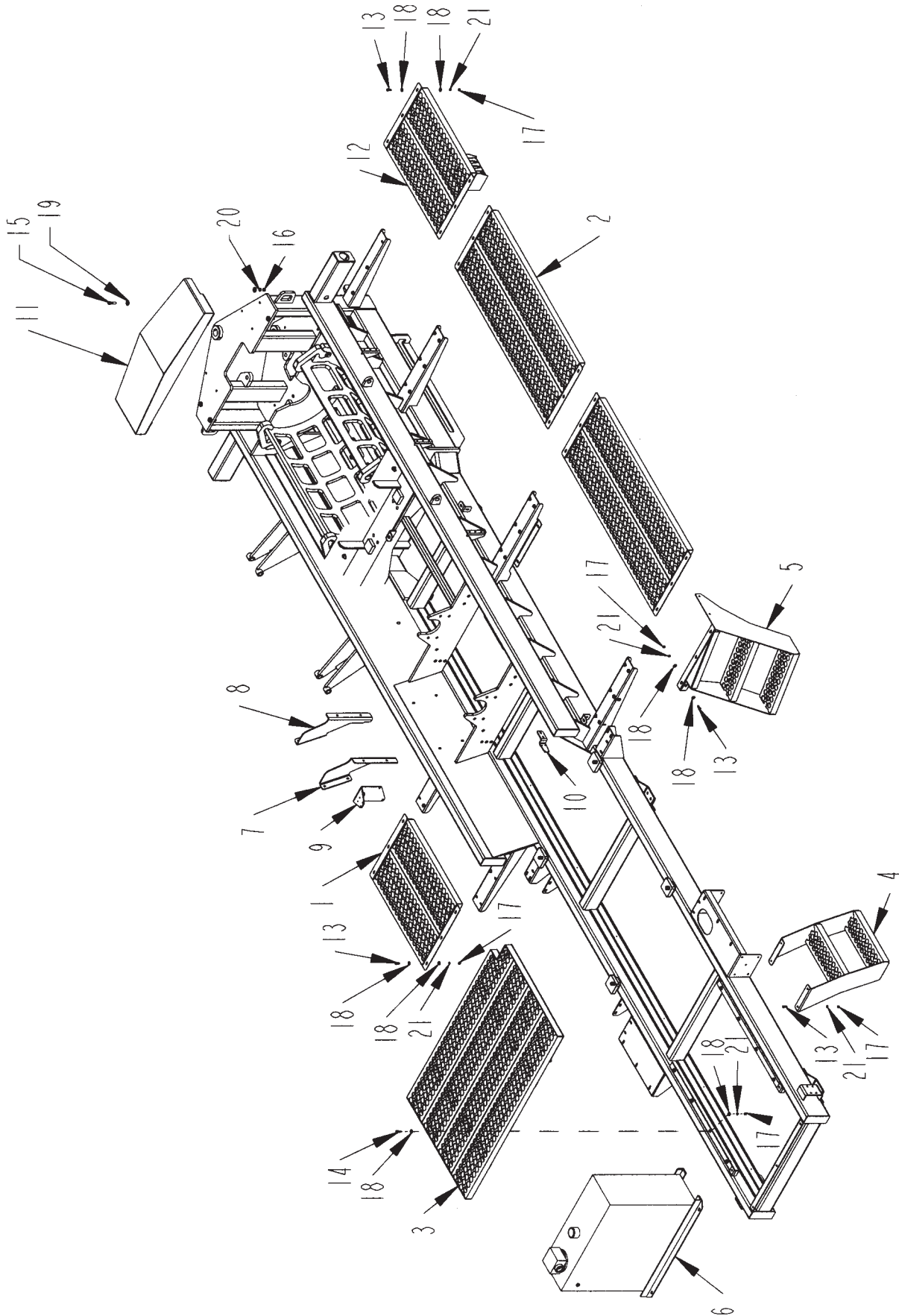
MAIN FRAME ASSEMBLY (S.N. 3000 - 3019)



MAIN FRAME ASSEMBLY (S.N. 3000 - 3019)

ITEM	PART	QTY.	PART DESCRIPTION
1	4501527	1	DECK\SRV\RTR
2	4501528	2	DECK\SERV\RTR
3	4501548	1	WALKWAY\FRONT\1150
4	4501741	1	LDDR\SERV\RAD\STEP\2
5	4501742	1	LDDR\SERV\RTR
6	4703541	1	TANK\OIL\ASSY
7	4703739	1	BRKT\TANK\OIL\HPTO14
8	4703740	1	BRKT\TANK\OIL\HPTO14
9	4703741	1	BRKT\FLTR\OIL\HPTO14\3010
10	4703745	1	BRKT\SWITCH\LIMIT
11	4703851	1	FRM\SHLD\REAR
12	4703852	1	SHLD\REAR
13	4703957	1	DECK\SRV\REAR\RTR
14	4800003	33	BOLT\HEX\3/8X1
15	4800070	8	BOLT\HEX\1/2X2-1/2
16	4800098	8	BOLT\HEX\3/8X1-1/4\NC
17	4800114	4	BOLT\HEX\1/2X2
18	4900001	12	NUT\HEX\1/2\NC
19	4900002	41	NUT\HEX\3/8\NC
20	5000001	74	WASH\FLAT\3/8
21	5000004	12	WASH\FLAT\1/2
22	5000006	12	WASH\LOCK\1/2
23	5000019	41	WASH\LOCK\3/8

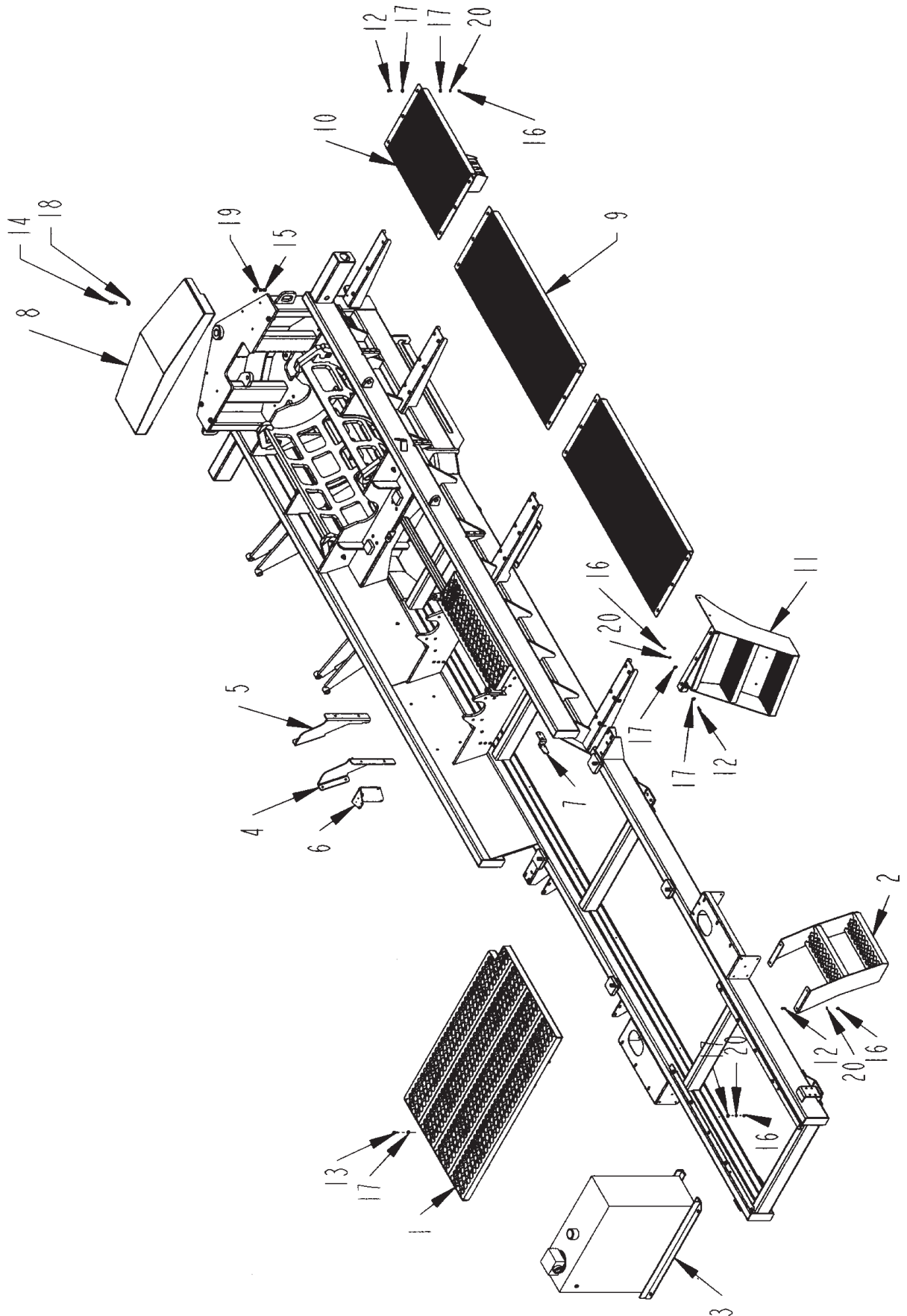
MAIN FRAME ASSEMBLY (S.N. 3020 TO 3054)



MAIN FRAME ASSEMBLY (S.N. 3020 TO 3054)

ITEM	PART	QTY.	PART DESCRIPTION
1	4501527	1	DECK\SRV\RTR
2	4501528	2	DECK\SERV\RTR
3	4501548	1	WALKWAY\FRONT
4	4501741	1	LDDR\SERV\RAD\STEP\2
5	4501742	1	LDDR\SERV\RTR
6	4703541	1	TANK\OIL\ASSY
7	4703739	1	BRKT\TANK\OIL\HPTO14
8	4703740	1	BRKT\TANK\OIL\HPTO14
9	4703741	1	BRKT\FLTR\OIL\HPTO14\3010
10	4703745	1	BRKT\SWITCH\LIMIT
11	4703884	1	CVR\CNVYR\DSCHR
12	4703957	1	DECK\SRV\REAR\RTR
13	4800003	33	BOLT\HEX\3/8X1
14	4800098	8	BOLT\HEX\3/8X1-1/4\NC
15	4800114	14	BOLT\HEX\1/2X2
16	4900001	4	NUT\HEX\1/2\NC
17	4900002	41	NUT\HEX\3/8\NC
18	5000001	74	WASH\FLAT\3/8
19	5000004	18	WASH\FLAT\1/2
20	5000006	18	WASH\LOCK\1/2
21	5000019	41	WASH\LOCK\3/8

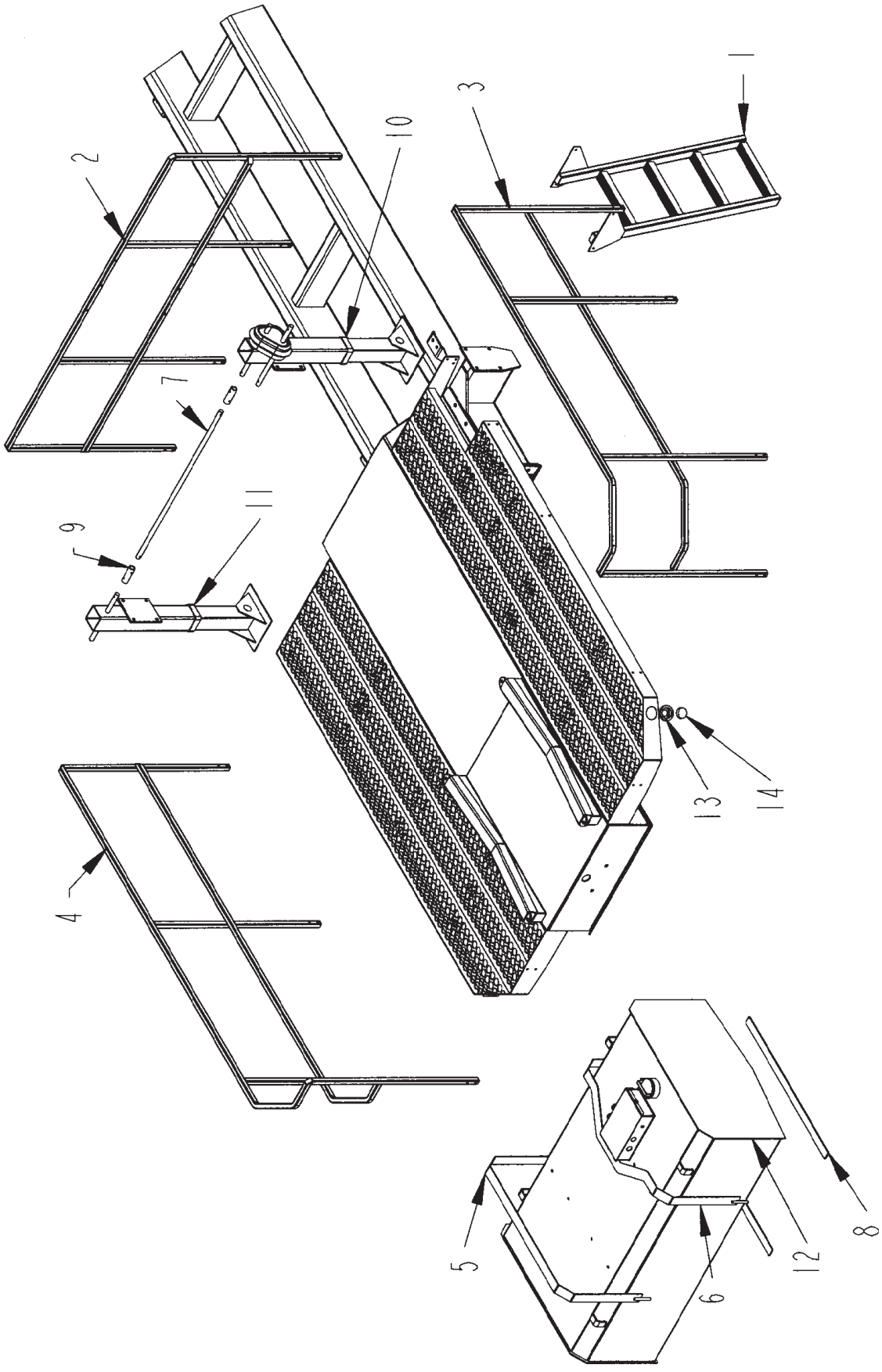
MAIN FRAME ASSEMBLY (S.N. 3055 & UP)



MAIN FRAME ASSEMBLY (S.N. 3055 & UP)

ITEM	PART	QTY.	PART DESCRIPTION
1	4704654	1	WALKWAY\FRONT\TIER_3
2	4501741	1	LDDR\SERV\RAD\STEP2
3	4703541	1	TANK\OIL\ASSY (THRU S.N. 3129)
4	4703739	1	BRKT\TANK\OIL\HPTO14
5	4703740	1	BRKT\TANK\OIL\HPTO14
6	4703741	1	BRKT\FLTR\OIL\HPTO14\3010
7	4703745	1	BRKT\SWITCH\LIMIT
8	4703884	1	CVR\CNVYR\DSCHR
9	4704625	2	DECK\SERV\RTR
10	4704627	1	DECK\SRV\REAR\RTR
11	4704628	1	LDDR\SERV\RTR
12	4800003	27	BOLT\HEX\3/8X1
13	4800098	8	BOLT\HEX\3/8X1-1/4\NC
14	4800114	14	BOLT\HEX\1/2X2
15	4900001	4	NUT\HEX\1/2\NC
16	4900002	35	NUT\HEX\3/8\NC
17	5000001	62	WASH\FLAT\3/8
18	5000004	18	WASH\FLAT\1/2
19	5000006	18	WASH\LOCK\1/2
20	5000019	35	WASH\LOCK\3/8

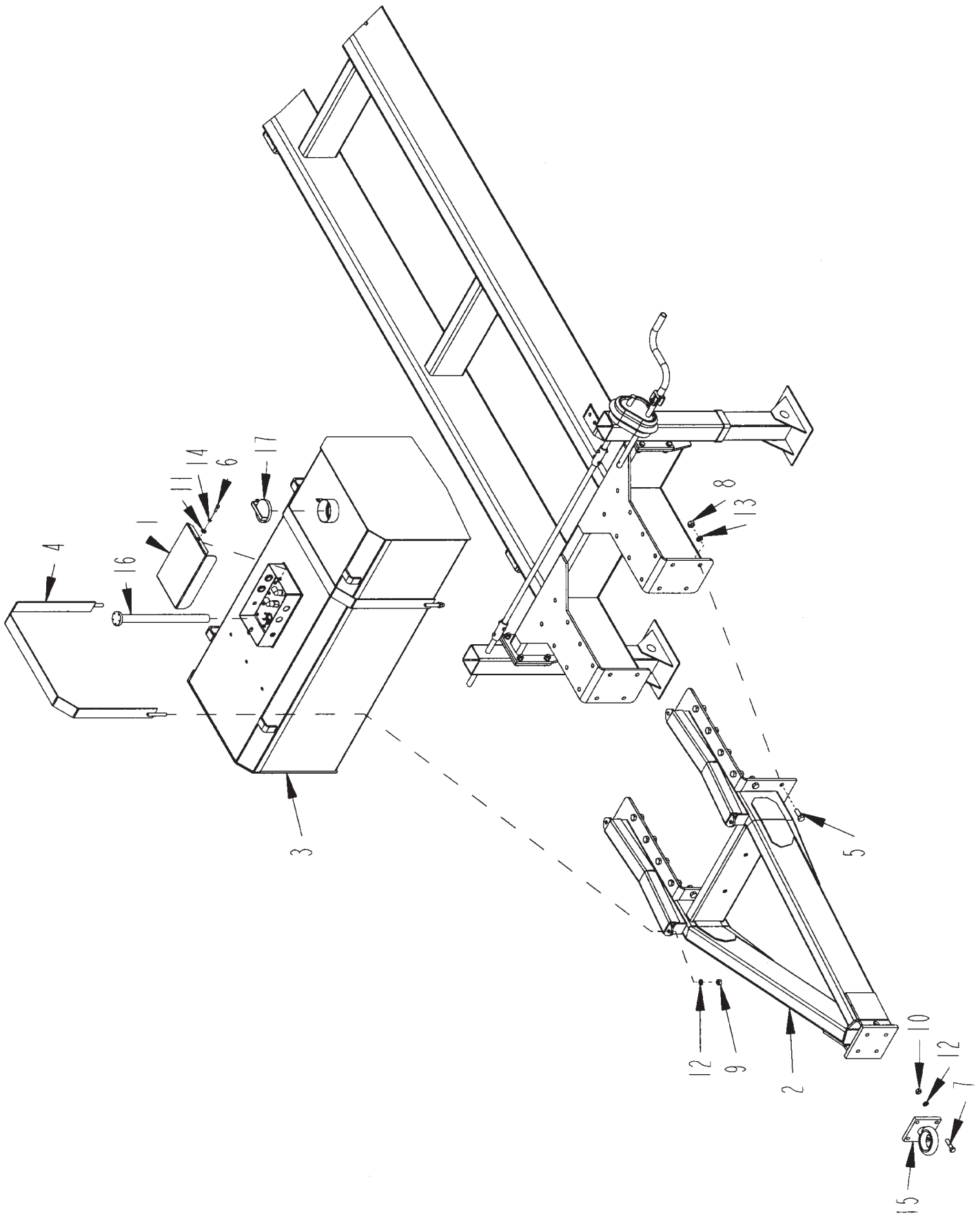
FIFTH WHEEL HITCH ASSEMBLY



FIFTH WHEEL HITCH ASSEMBLY

ITEM	PART	QTY.	PART DESCRIPTION
1	4501720	1	LDDR\SERV\DECK\FRNT
2	4501722	1	RAIL\FIFTHWHL
3	4501723	1	RAIL\FIFTHWHL
4	4501724	1	RAIL\FIFTHWHL
5	4501738	1	STRAP\TIEDOWN\TANK\FUEL
6	4501739	1	STRAP\TIEDOWN\TANK\FUEL
7	4501740	1	SHFT\CPLR\JACK\DUAL\1X47
8	4700403	2	PAD\TANK\FUEL
9	4700404	2	CPLR\SHFT\JACK\FRM\MN
10	4702902	1	JACK\LH\FRM\MN\HD9
	5800609	1	JACK\HANDLE\25,000 LG
11	4702903	1	JACK\RH\FRM\MN\HD9
12	4703055	1	TANK\FUEL\72-1/2X44-1/2X24-1/2
13	5700202	2	LAMP\GRMMT\2-1/2KIT\W\PLUG
14	5700203	2	LAMP\CL\12VDC\2-1/2ROUND\YELLOW\SEALED

PINTLE HITCH - WITH FUEL TANK



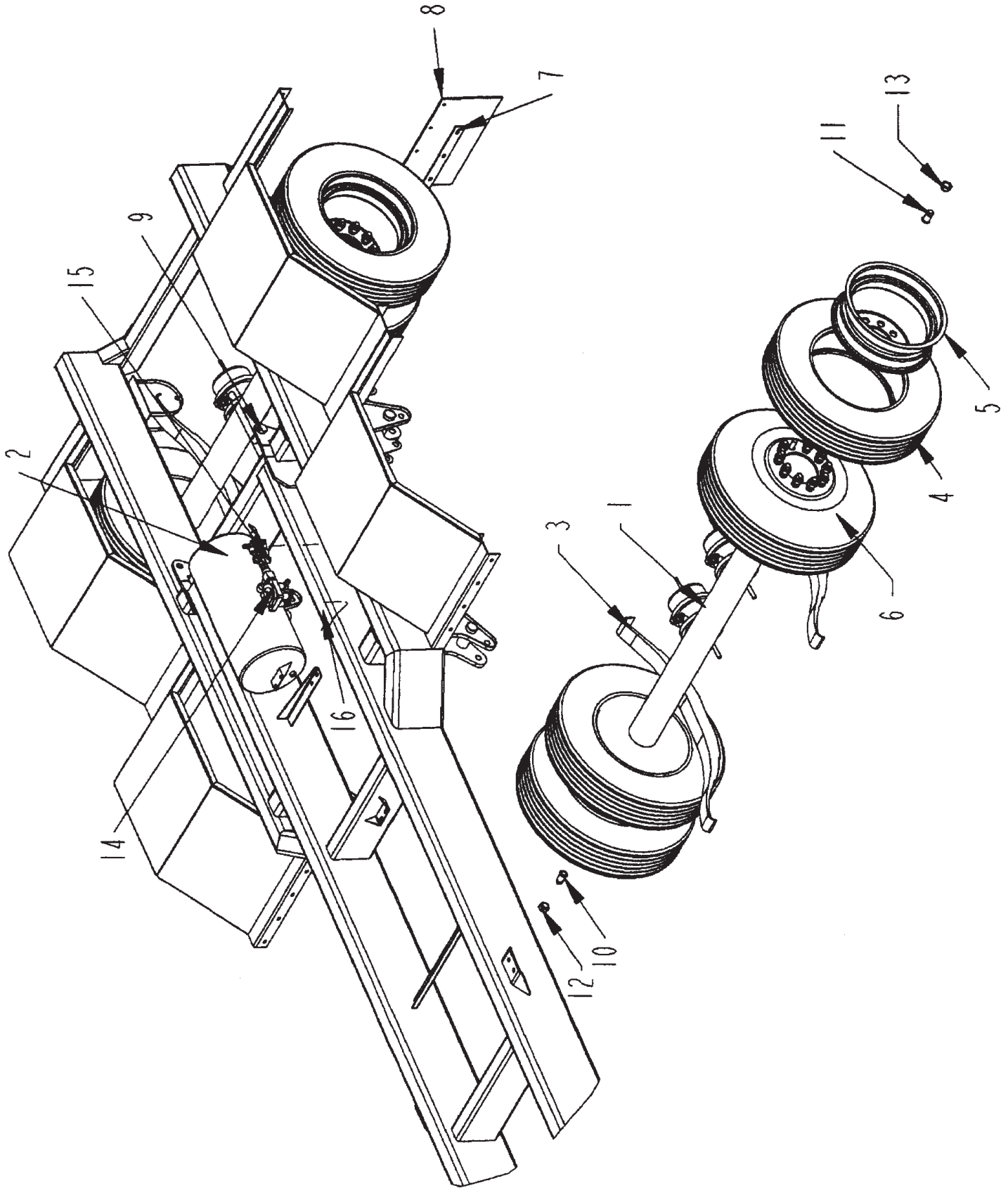
PINTLE HITCH - WITH FUEL TANK

ITEM	PART	QTY.	PART DESCRIPTION
1	4703105	1	CVR\GAUGE\TANK\FUEL
2	4703465	1	HITCH\PINTLE
3	4703466	1	TANK\FUEL\PINTLE\3010
4	4703467	2	STRAP\TIEDOWN\TANK\FUEL
5	4800033	24	BOLT\HEX\3/4X2
6	4800098	2	BOLT\HEX\3/8X1-1/4\NC
7	4800271	4	BOLT\HEX\5/8X2-1/2\GR8
8	4900004	24	NUT\HEX\3/4\NC
9	4900005	4	NUT\HEX\5/8\NC
10	4900070	4	NUT\HEX\5/8\GR8\NC
11	5000001	2	WASH\FLAT\3/8
12	5000003	8	WASH\LOCK\5/8
13	5000012	24	WASH\LOCK\3/4
14	5000019	2	WASH\LOCK\3/8
15	7501177	1	PINTLE HITCH 4 BOLT , 66K
16	7500682	1	GAUGE\FUEL\SENDING\HD12
17	7500811	1	CAP\FUEL\LOW_PRESS_RELIEF

Not Shown

4703468	2	PAD\TANK\FUEL
4702607	1	CHAIN\SFTY\70-LINKS\HITCH
5800002	2	HOOK\SLIP\5/16

REAR CHASSIS SUBASSEMBLY



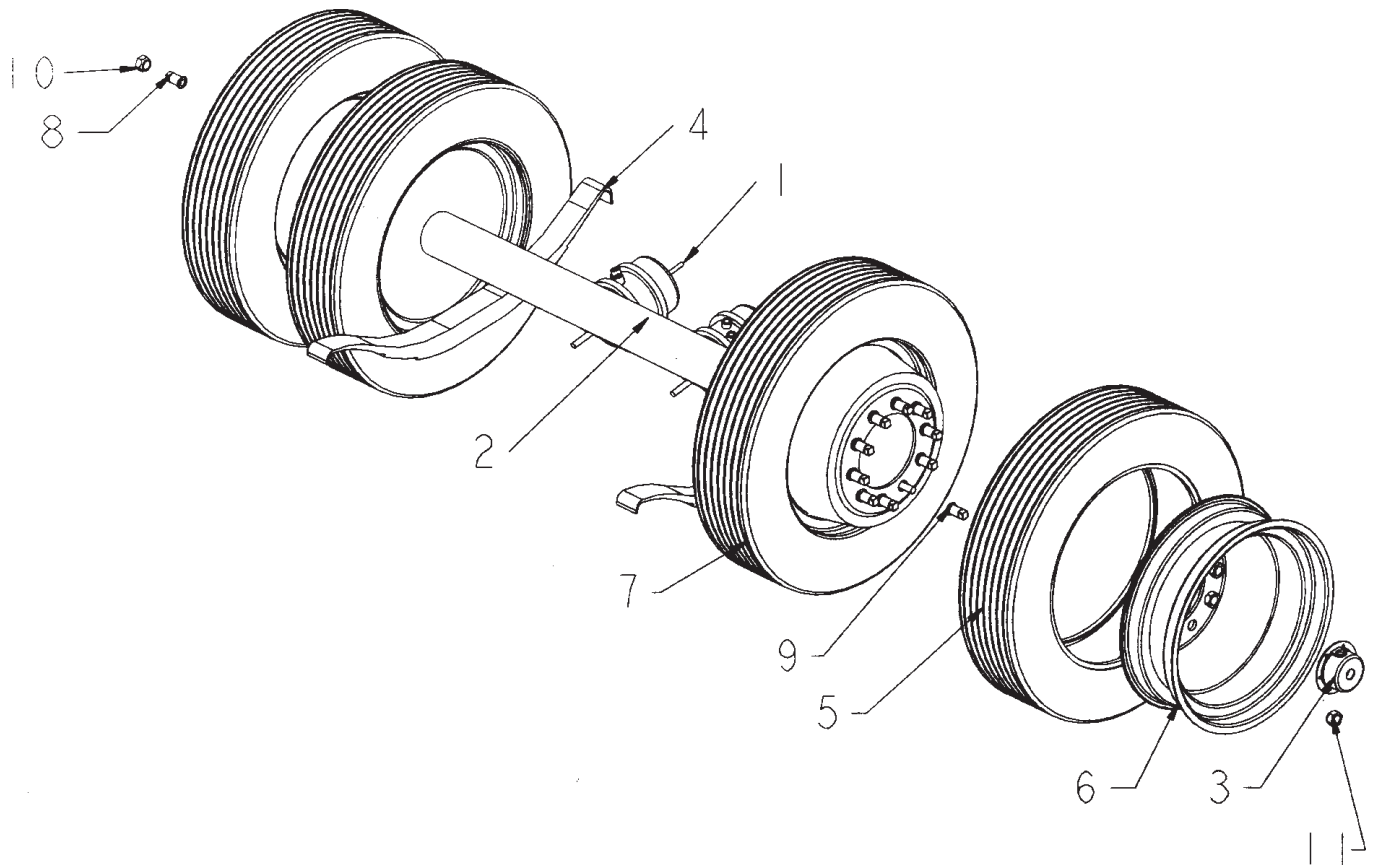
REAR CHASSIS SUBASSEMBLY

ITEM	PART	QTY.	PART DESCRIPTION
1	2500638	2	AXLE\22.5K\79-1/2HUBFACE
2	2500919	1	AIR TANK HD10\3010\1155
	2500957	1	TANK\AIR\2880\2BUNG/SIDE
3	2500954	4	3LEAF\SPRNG\9700\4012
4	2600029	8	TIRE\255.70R22.5
5	2600634	8	WHL\RIM\10-BOLT\22.5X8.25
6	2600815	8	WHL\ASSY\255X70RX22.5\DUAL
7	4701609	2	BRKT\FLAP\MUD
8	4701771	2	FLAP\MUD\22-1/2X12X1/4
9	4800140	1	BOLT\HEX\1X3\NC
10	4900162	20	NUT\WHL\3/4\INNER\RH
11	4900163	20	NUT\WHL\3/4\INNER\LH
12	4900164	20	NUT\WHL\3/4\OUTER\RH
13	4900165	20	NUT\WHL\3/4\OUTER\LH
14	7500459	1	VLV\SPRING\BRAKE\ for SN up to XXX
15	7500460	1	VLV\RLY\SRV\BRAKE\ for SN up to XXX
16	7500714	7	CLAMP\CUSH\HD\#20\1-5/16

NOT SHOWN

2500952 CAPI\OIL\W-VENT\20K\PLSTC

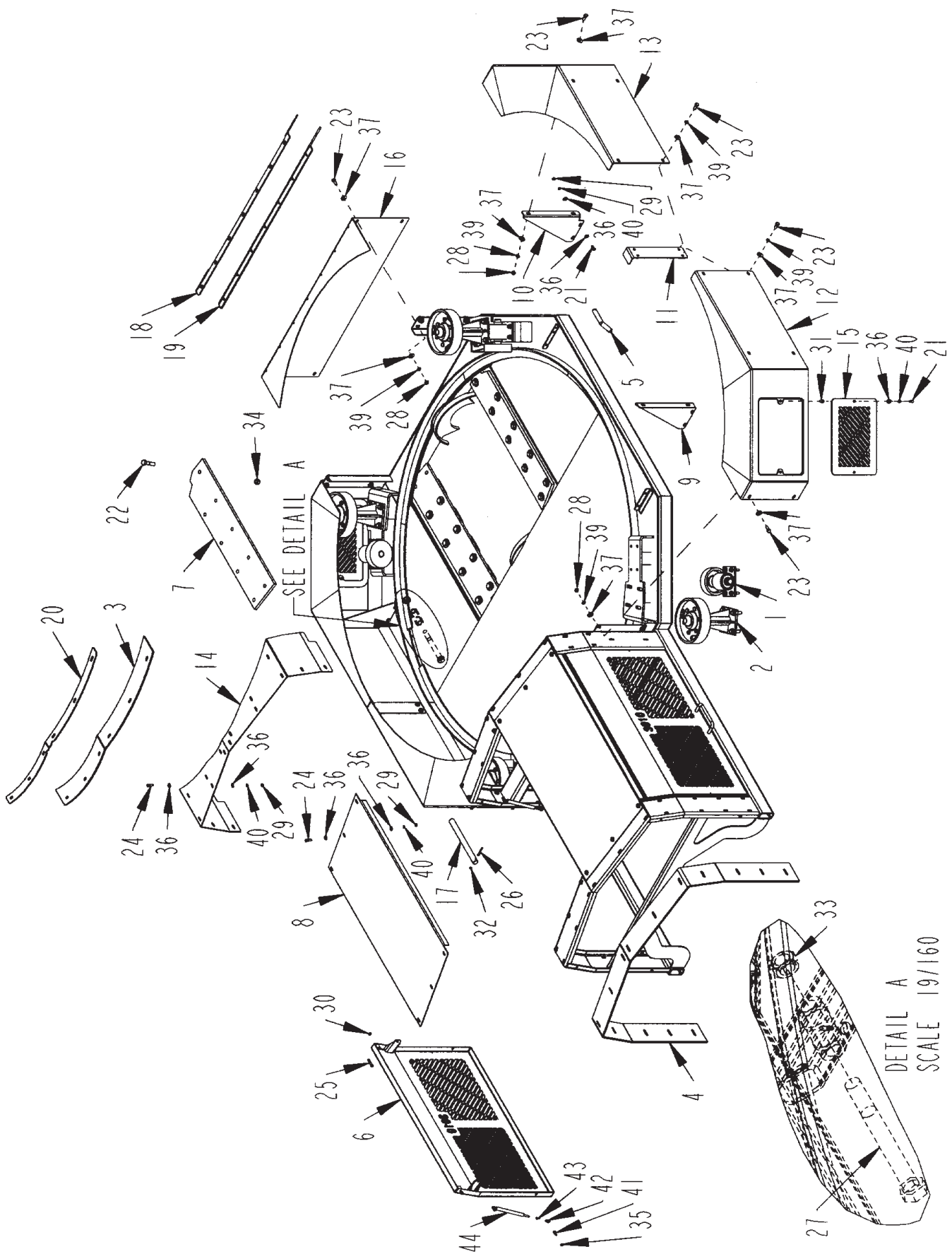
AXLE AND TIRES



AXLE AND TIRES

ITEM	PART	QTY.	PART DESCRIPTION
1	2500632	4	30/30\AIRCHMBR\BRK\KIT\4012
2	2500638	2	AXLE\KIT\4012
3	2500941	1	HUBCAP\PLSTC\22.5K\CR1643
4	2500954	4	3LEAF\SPRNG\9700\4012
5	2600029	8	TIRE\255.70R22.5
6	2600634	8	WHL\RIM\10-BOLT\22.5X8.25
7	2600815	8	WHEEL\4012
8	4900162	20	NUT\WHL\3/4\INNER\RH
9	4900163	20	NUT\WHL\3/4\INNER\LH
10	4900164	20	NUT\WHL\3/4\OUTER\RH
11	4900165	20	NUT\WHL\3/4\OUTER\LH

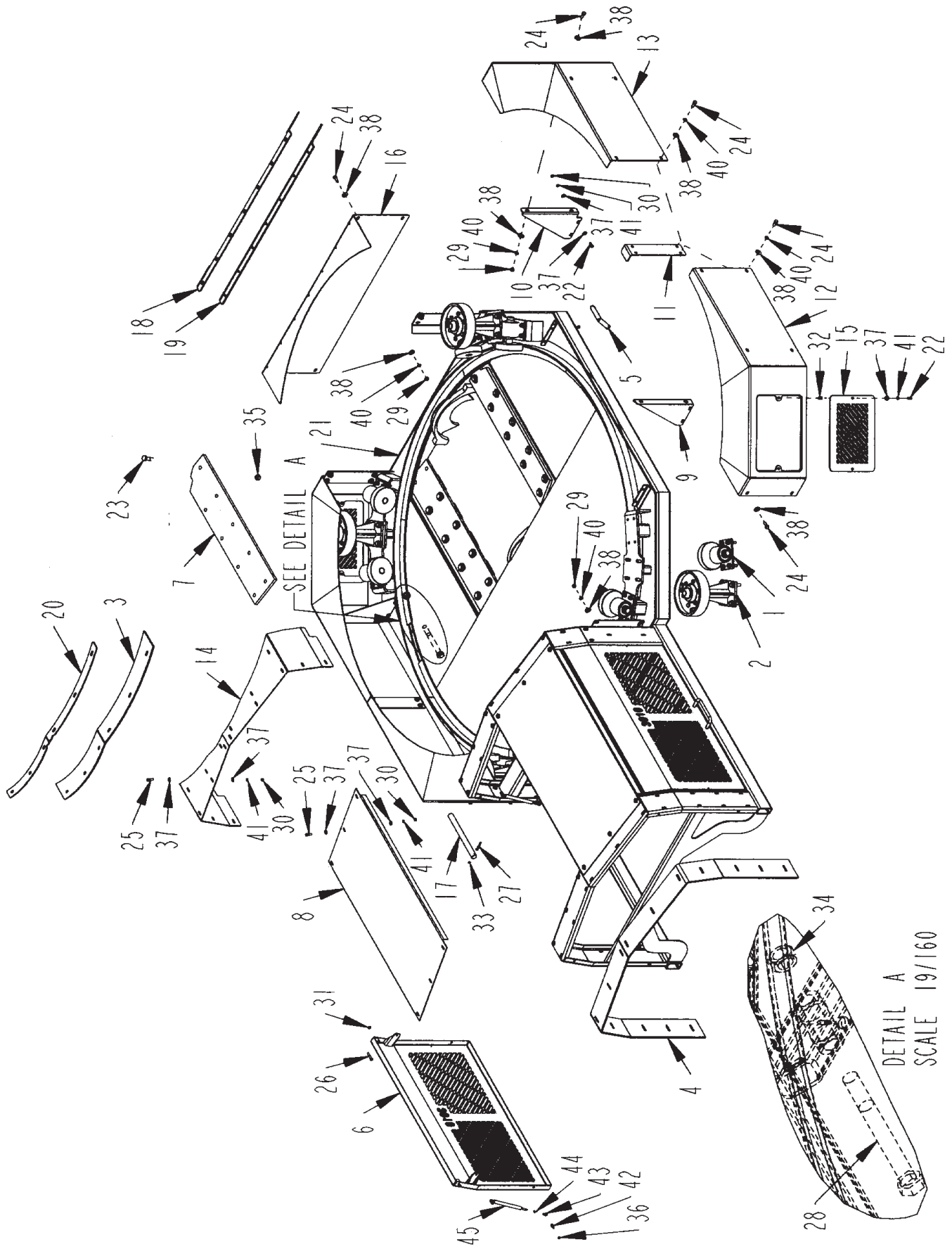
PLATFORM ASSEMBLY



PLATFORM ASSEMBLY

ITEM	PART	QTY.	PART DESCRIPTION
1	4704119	4	RLLR\TUB\ASSY\STEEL
2	4702593	4	RLLR\PRESS\HVY\6BOLT
3	1700204	1	SEAL\TUB
4	1700210	1	SEAL\RBBR\DR\TUB
5	4702827	2	PIN\LATCH\PLFRM
6	4703463	2	DOOR\DRV\TUB
7	4703715	2	MNT\HLDDWN\SCRN\PLFRM
8	4703716	2	CVR\DRV\TUB
9	4703719	2	BRKT\SHLD\CHAIN\DRIVE\TUB
10	4703720	2	BRKT\SHLD\CHAIN\DRIVE\TUB
11	4703723	2	BRKT\SHLD\SIDE\CENTER
12	4703724	2	SHLD\TUB
13	4703725	2	SHLD\TUB\CORNER
14	4703726	1	SHLD\DRIVE\TUB
15	4703727	4	DOOR\SHLD\TUB
16	4703744	1	SHLD\TUB\REAR
17	4703892	1	PIN\1-1/4\PLFRM\TILTCYL
17A	4703712		PIN\1\PLFRM\TILTCYL
18	4704087	1	BRKT\DFLCTR\MATL\REAR
19	4704088	1	DFLCTR\RBBR
20	4704095	1	BRKT\SEAL\TUB
21	4800003	16	BOLT\HEX\3/8X1
22	4800649	18	BOLT\HEX\3/4X3\GR8\NC
23	4800018	20	BOLT\HEX\1/2X1-1/4
24	4800098	22	BOLT\HEX\3/8X1-1/4\NC
25	4800146	4	BOLT\HEX\3/8X2
26	4800507	1	BOLT\HEX\1/4X2-1/4\NC
27	4800601	2	BOLT\HEX\1X9\NC
28	4900001	52	NUT\HEX\1/2\NC
29	4900002	30	NUT\HEX\3/8\NC
30	4900023	16	NUT\TPLCK\3/8\NC
31	4900083	8	NUT\INSERT\3/8\LONG\0.15-0.312\(.418/CD)
32	4900084	1	NUT\TPLCK\1/4\NC
33	4900127	2	NUT\TPLCK\1\NC
34	4900160	18	NUT\FLG\TPLCK\3/4\GR8\NC
35	4900142	8	NUT\TPLCK\5/16\NC
36	5000001	69	WASH\FLAT\3/8
37	5000004	112	WASH\FLAT\1/2
39	5000006	60	WASH\LOCK\1/2
40	5000019	38	WASH\LOCK\3/8
41	7500664	8	BALL STUD\SHOCK\FITTING\M6
42	7500665	8	END FITTING\GAS SPRING \m6
43	7500666	8	SAFETY CLIP
44	7500663	4	SPRNG\GAS\90LB\9416K224
	4704096		SEAL\KIT\RBBR\DEBRIS (INCLUDES ITEMS 3,4,18,19,20 and mounting hardware)
	NOT SHOWN		
	4500737	1	STOP\CYL\PLFRM
	4800046	1	PIN\CLEVIS\3/4X3
	4800107	1	PIN\HAIR\1/8(#9)

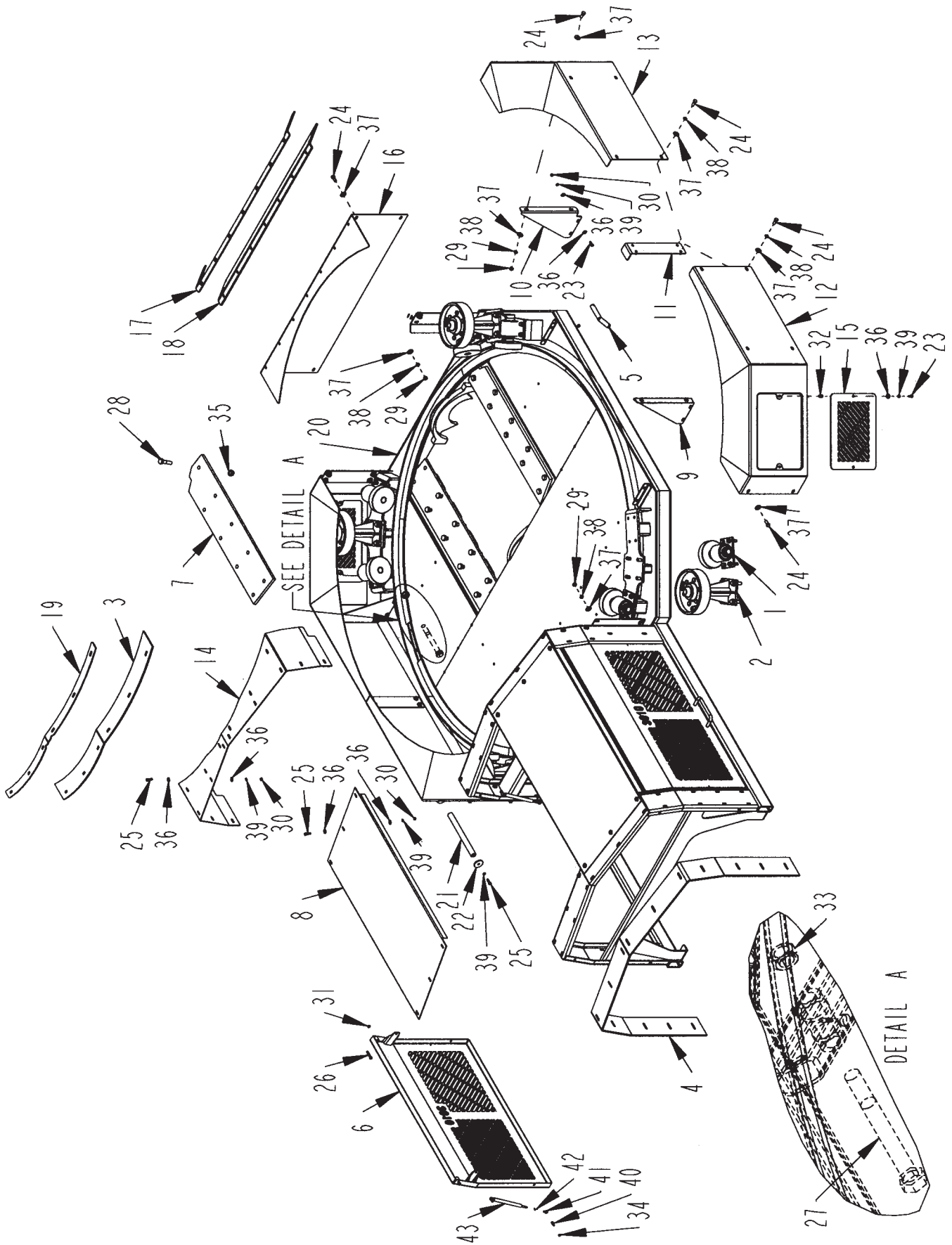
PLATFORM ASSEMBLY (S.N. 50-2-EJ-3055 TO 50-2-GJ-3104)



PLATFORM ASSEMBLY (S.N. 50-2-EJ-3055 TO 50-2-GJ-3104)

ITEM	PART	QTY.	PART DESCRIPTION
1	4704119	8	RLLR\TUB\ASSY\STEEL
2	4702593	4	RLLR\PRESS\HVY\6BOLT
3	1700204	1	SEAL\TUB
4	1700210	1	SEAL\RBBR\DRV\TUB
5	4702827	2	PIN\LATCH\PLFRM
6	4703463	2	DOOR\DRV\TUB
7	4703715	2	MNT\HLDDWN\SCRN\PLFRM
8	4703716	2	CVR\DRV\TUB
9	4703719	2	BRKT\SHLD\CHAIN\DRIVE\TUB
10	4703720	2	BRKT\SHLD\CHAIN\DRIVE\TUB
11	4703723	2	BRKT\SHLD\SIDE\CENTER
12	4703724	2	SHLD\TUB
13	4703725	2	SHLD\TUB\CORNER
14	4703726	1	SHLD\DRIVE\TUB
15	4703727	4	DOOR\SHLD\TUB
16	4703744	1	SHLD\TUB\REAR
17	4703892	1	PIN\PLFRM\TILT\CYL
17A	4703712		PIN\1\PLFRM\TILT\CYL
18	4704087	1	BRKT\DFLCTR\MATL\REAR
19	4704088	1	DFLCTR\RBBR
20	4704095	1	BRKT\SEAL\TUB
21	4704651	1	FRM\PLTFRM\TILT
22	4800003	16	BOLT\HEX\3\8X1
23	4800649	18	BOLT\HEX\3\4X3\GR8\NC
24	4800018	20	BOLT\HEX\1\2X1-1\4
25	4800098	22	BOLT\HEX\3\8X1-1\4\NC
26	4800146	4	BOLT\HEX\3\8X2
27	4800507	1	BOLT\HEX\1\4X2-1\4\NC
28	4800601	2	BOLT\HEX\1X9\NC
29	4900001	20	NUT\HEX\1\2\NC
30	4900002	30	NUT\HEX\3\8\NC
31	4900023	4	NUT\TPLCK\3\8\NC
32	4900083	8	NUT\INSERT\3\8\LONG\0.15-0.312\(.418\CD)
33	4900084	1	NUT\TPLCK\1\4\NC
34	4900127	2	NUT\TPLCK\1\NC
35	4900160	18	NUT\FLG\TPLCK\3\4\GR8\NC
36	4900142	8	NUT\TPLCK\5\16\NC
37	5000001	69	WASH\FLAT\3\8
38	5000004	48	WASH\FLAT\1\2
40	5000006	28	WASH\LOCK\1\2
41	5000019	38	WASH\LOCK\3\8
42	7500664	8	BALL STUD\SHOCK\FITTING\M6
43	7500665	8	END FITTING\GAS SPRING \m6
44	7500666	8	SAFETY CLIP
45	7500663	4	SPRNG\GAS\90LB\9416K224
	4704096		SEAL\KIT\DEBRIS (INCLUDES ITEMS 3,4,18,19,20 & MOUNTING HARDWARE)
	NOT SHOWN		
	4500737	1	STOP\CYL\PLFRM
	4800046	1	PIN\CLEVIS\3\4X3
	4800107	1	PIN\HAIR\1\8(#9)

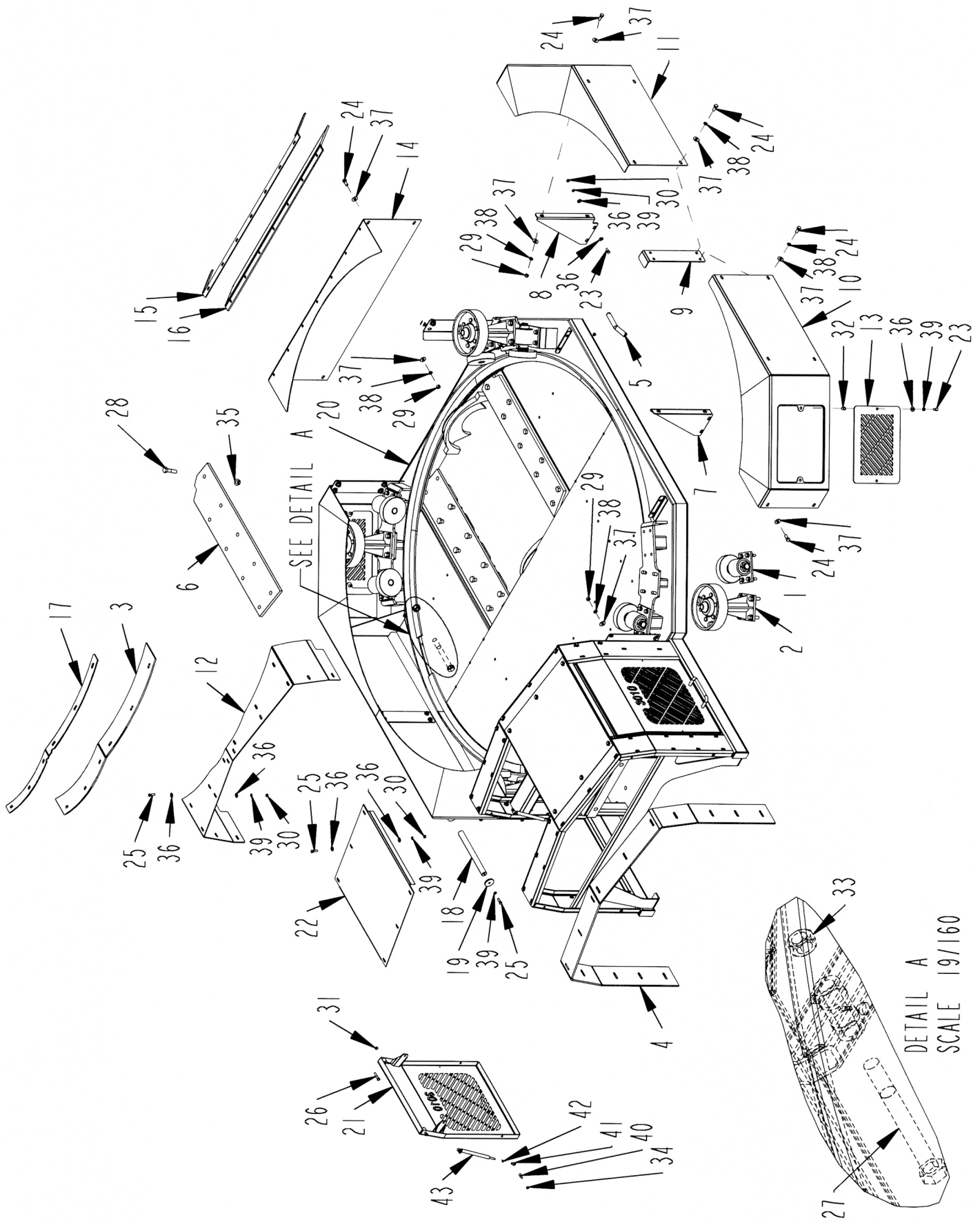
PLATFORM ASSEMBLY (S.N. 3105 TO 3129)



PLATFORM ASSEMBLY (S.N. 3105 TO 3129)

ITEM	PART	QTY.	PART DESCRIPTION
1	4704119	8	RLLR\TUB\ASSY\STEEL
2	4702593	4	RLLR\PRESS\HVY\6BOLT
3	1700204	1	SEAL\TUB
4	1700210	1	SEAL\RBBR\DR\TUB
5	4702827	2	PIN\LATCH\PLFRM
6	4703463	2	DOOR\DRV\TUB
7	4703715	2	MNT\HLDDWN\SCRN\PLFRM
8	4703716	2	CVR\DRV\TUB
9	4703719	2	BRKT\SHLD\CHAIN\DRIVE\TUB
10	4703720	2	BRKT\SHLD\CHAIN\DRIVE\TUB
11	4703723	2	BRKT\SHLD\SIDE\CENTER
12	4703724	2	SHLD\TUB
13	4703725	2	SHLD\TUB\CORNER
14	4703726	1	SHLD\DRIVE\TUB
15	4703727	4	DOOR\SHLD\TUB
16	4703744	1	SHLD\TUB\REAR
17	4704087	1	BRKT\DFLCTR\MATL\REAR
18	4704088	1	DFLCTR\RBBR
19	4704095	1	BRKT\SEAL\TUB
20	4704651	1	FRM\PLTFRM\TILT
21	4704933	1	PIN\PLFRM\TILTCYL
22	4704934	2	WASH\2-1/4 O.D.
23	4800003	16	BOLT\HEX\3/8X1
24	4800018	20	BOLT\HEX\1/2X1-1/4
25	4800098	24	BOLT\HEX\3/8X1-1/4\NC
26	4800146	4	BOLT\HEX\3/8X2
27	4800601	2	BOLT\HEX\1X9\NC
28	4800649	18	BOLT\HEX\3/4X3\GR8\NC
29	4900001	20	NUT\HEX\1/2\NC
30	4900002	31	NUT\HEX\3/8\NC
31	4900023	4	NUT\TPLCK\3/8\NC
32	4900083	8	NUT\INSERT\3/8\LONG\0.15-0.312\(.418/CD)
33	4900127	2	NUT\TPLCK\1\NC
34	4900142	8	NUT\TPLCK\5/16\NC
35	4900160	18	NUT\FLG\TPLOCK\3/4\GR8\NC
36	5000001	71	WASH\FLAT\3/8
37	5000004	48	WASH\FLAT\1/2
38	5000006	28	WASH\LOCK\1/2
39	5000019	41	WASH\LOCK\3/8
40	7500664	8	BALL STUD\SHOCK\FITTING\M6
41	7500665	8	END FITTING\GAS SPRING \m6
42	7500666	8	SAFETY CLIP
43	7500663	4	SPRNG\GAS\90LB\9416K224
	4704096		SEAL\KIT\DEBRIS (INCLUDES ITEMS 3,4,17,18,19 & MOUNTING HARDWARE)
	NOT SHOWN		
	4500737	1	STOP\CYL\PLFRM
	4800046	1	PIN\CLEVIS\3/4X3
	4800107	1	PIN\HAIR\1/8(#9)

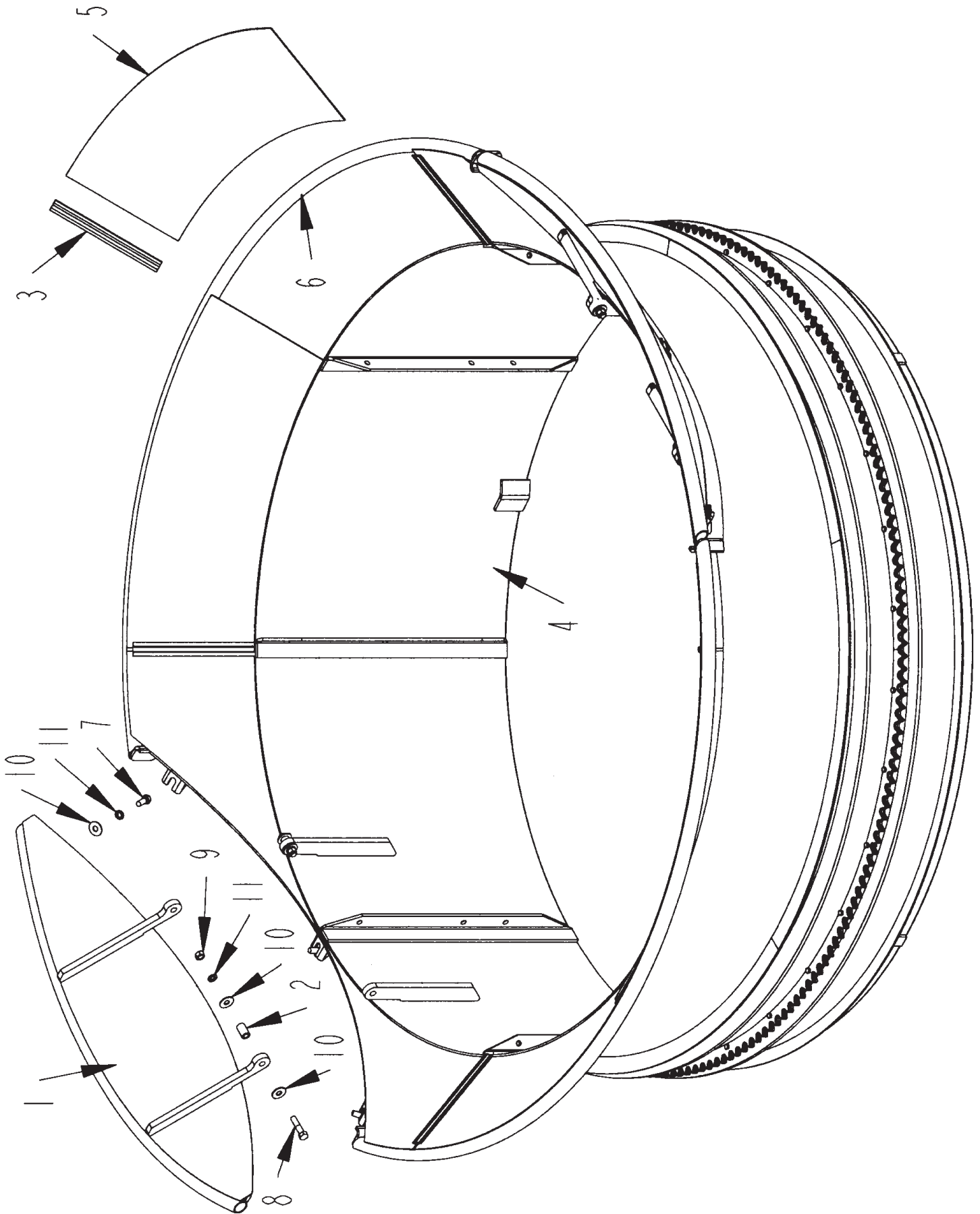
PLATFORM ASSEMBLY (S.N. 3130 & UP)



PLATFORM ASSEMBLY (S.N. 3130 & UP)

ITEM	PART	QTY.	PART DESCRIPTION
1	4704119	8	RLLR\TUB\ASSY\STEEL
2	4702593	4	RLLR\PRESS\HVY\6BOLT
3	1700204	1	SEAL\TUB
4	1700210	1	SEAL\RBBR\DR\TUB
5	4702827	2	PIN\LATCH\PLFRM
6	4703715	2	MNT\HLDDWN\SCRN\PLFRM
7	4703719	2	BRKT\SHLD\CHAIN\DRIVE\TUB
8	4703720	2	BRKT\SHLD\CHAIN\DRIVE\TUB
9	4703723	2	BRKT\SHLD\SIDE\CENTER
10	4703724	2	SHLD\TUB
11	4703725	2	SHLD\TUB\CORNER
12	4703726	1	SHLD\DRIVE\TUB
13	4703727	4	DOOR\SHLD\TUB
14	4703744	1	SHLD\TUB\REAR
15	4704087	1	BRKT\DFLCTR\MATL\REAR
16	4704088	1	DFLCTR\RBBR
17	4704095	1	BRKT\SEAL\TUB
18	4704933	1	PIN\PLFRM\TILT CYL
19	4704934	2	WASH\2-1/4 O.D.
20	4705304	1	FRM\PLTFRM\TILT
21	4705305	2	DOOR\DR\TUB
22	4705306	2	CVR\DRV\TUB
23	4800003	16	BOLT\HEX\3/8X1
24	4800018	20	BOLT\HEX\1/2X1-1/4
25	4800098	24	BOLT\HEX\3/8X1-1/4\NC
26	4800146	4	BOLT\HEX\3/8X2
27	4800601	2	BOLT\HEX\1X9\NC
28	4800649	18	BOLT\HEX\3/4X3\GR8\NC
29	4900001	20	NUT\HEX\1/2\NC
30	4900002	31	NUT\HEX\3/8\NC
31	4900023	4	NUT\TPLCK\3/8\NC
32	4900083	8	NUT\INSERT\3/8\LONG\0.15-0.312\(.418/CD)
33	4900127	2	NUT\TPLCK\1\NC
34	4900142	8	NUT\TPLCK\5/16\NC
35	4900160	18	NUT\FLG\TPLOCK\3/4\GR8\NC
36	5000001	71	WASH\FLAT\3/8
37	5000004	48	WASH\FLAT\1/2
38	5000006	28	WASH\LOCK\1/2
39	5000019	41	WASH\LOCK\3/8
40	7500664	8	BALL STUD\SHOCK\FITTING\M6
41	7500665	8	END FITTING\GAS SPRING \m6
42	7500666	8	SAFETY CLIP
43	7500663	4	SPRNG\GAS\90LB\9416K224
	4704096		SEAL\KIT\DEBRIS (INCLUDES ITEMS 3,4,15,16,17 & MOUNTING HARDWARE)
	NOT SHOWN		
	4500737	1	STOP\CYL\PLFRM
	4800046	1	PIN\CLEVIS\3/4X3
	4800107	1	PIN\HAIR\1/8(#9)

TUB ASSEMBLY

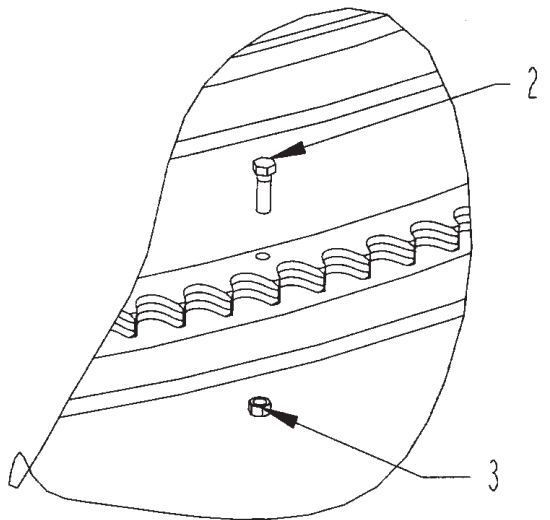
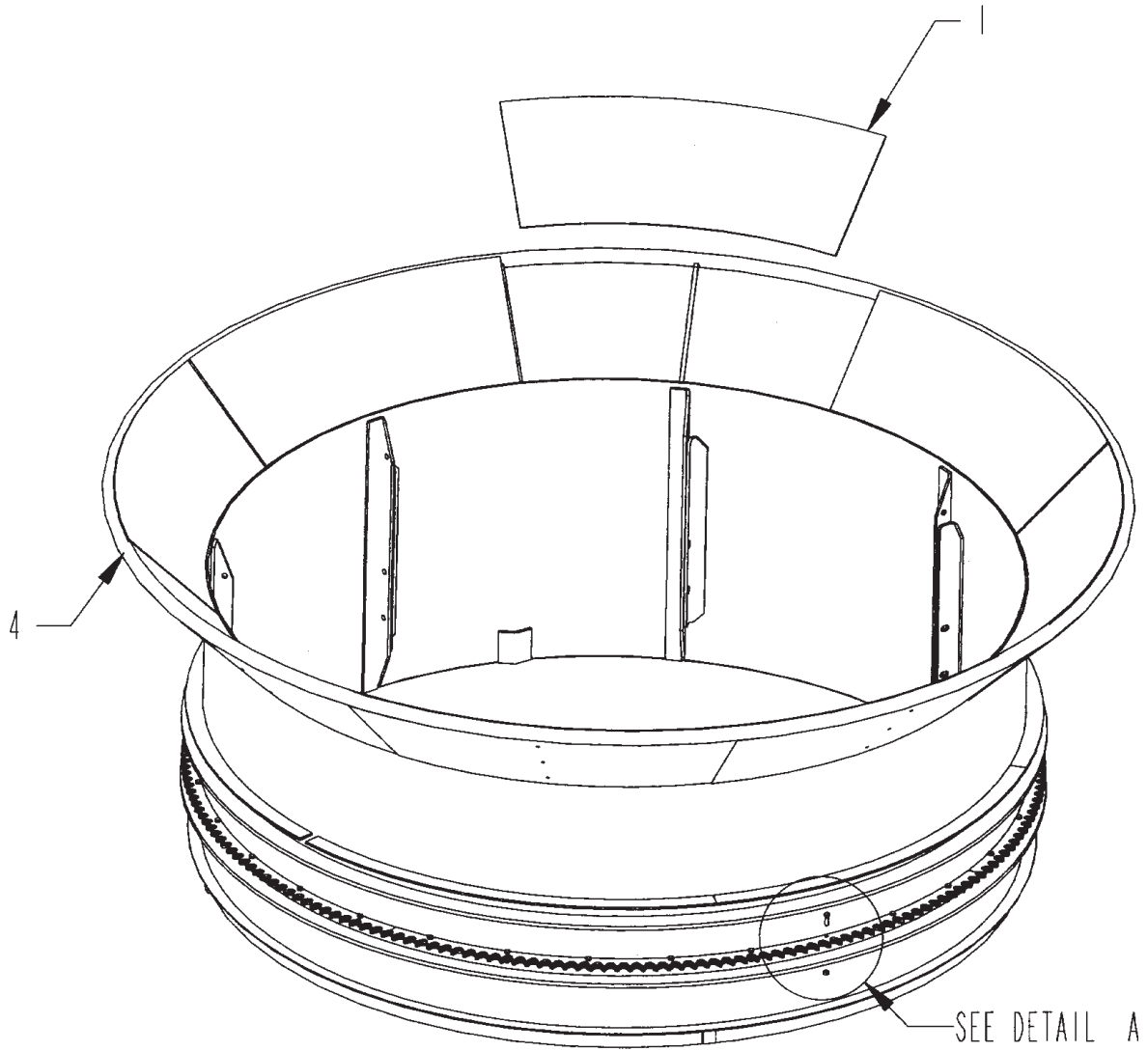


TUB ASSEMBLY

ITEM	PART	QTY.	PART DESCRIPTION
1	4702397	2	FLARE\FLDG
2	4702904	4	BUSH\HINGE\FLR\TUB
3	4703461	6	CHAN\SPLC\PETAL\TUB
4	4703462	1	TUB
5	4703953	4	PETAL\TUB
6	4703954	2	RING\TUB;FLANGE\TOP
7	4800106	6	BOLT\HEX\5/8X1-1/2
8	4800196	4	BOLT\HEX\5/8X2-3/4
9	4900005	4	NUT\HEX\5/8\NC
10	5000002	14	WASH\FLAT\5/8
11	5000003	10	WASH\LOCK\5/8

4703540 **TUB\ASSY\SUB\3010**

TUB ASSEMBLY - NARROWED TUB

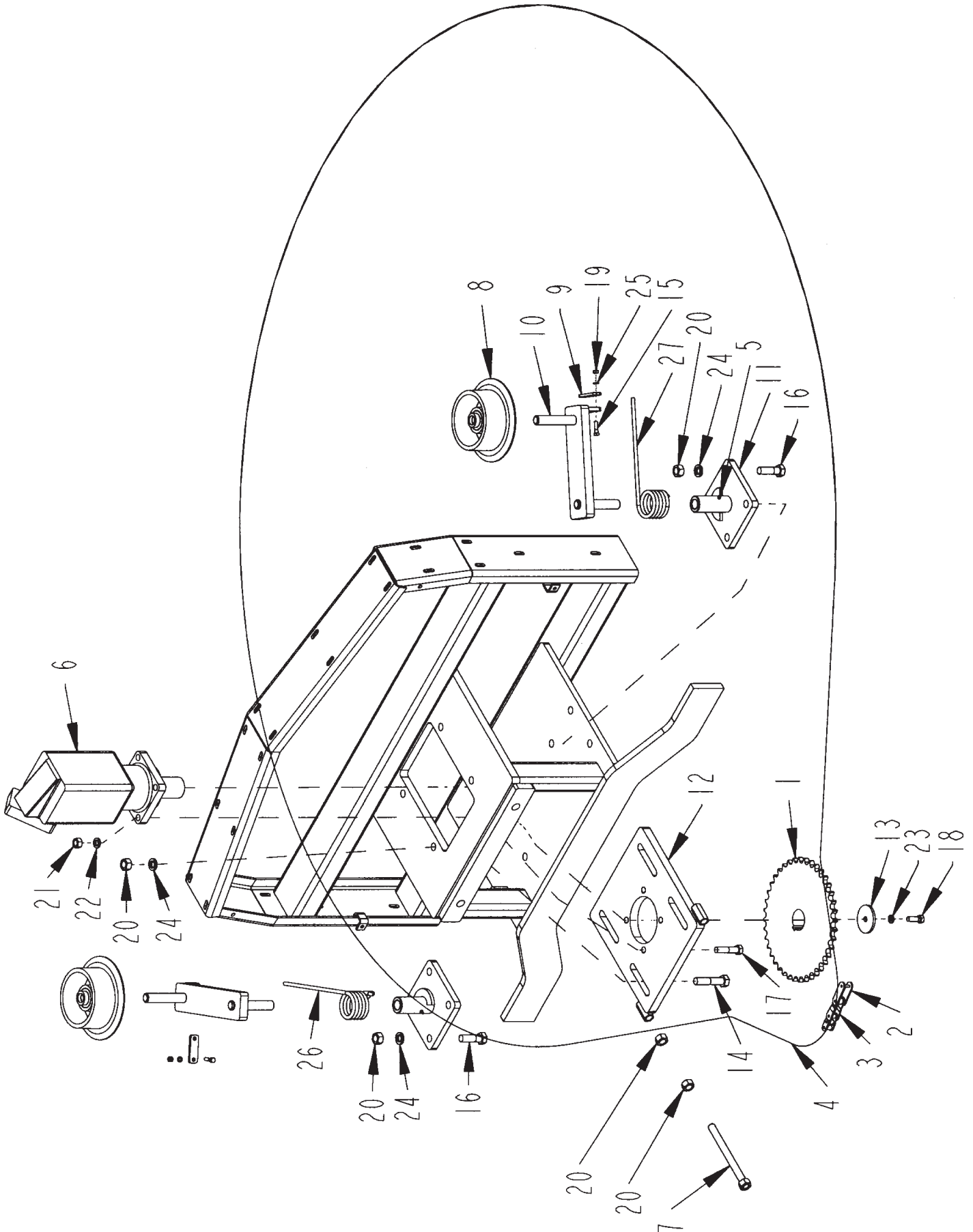


DETAIL A
SCALE 3/16

TUB ASSEMBLY - NARROWED TUB

ITEM	PART	QTY.	PART DESCRIPTION
1	4703953	8	PETAL\TUB
2	4800098	32	BOLT\HEX\3/8X1-1/4\NC
3	4900023	32	NUT\TPLCK\3/8\NC
4	4703954	1	RING\TUB;FLANGE\TOP\HD10\96
	4704118		TUB\NARROWED\COMPLETE

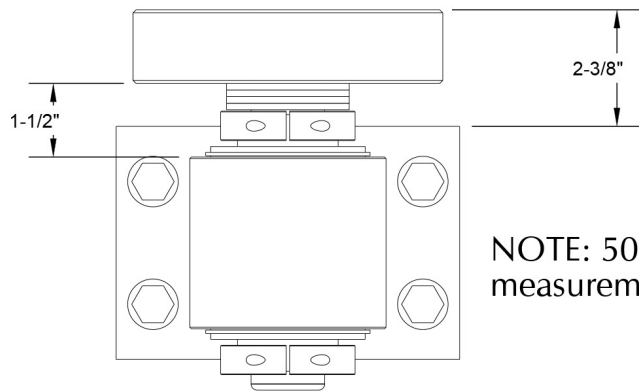
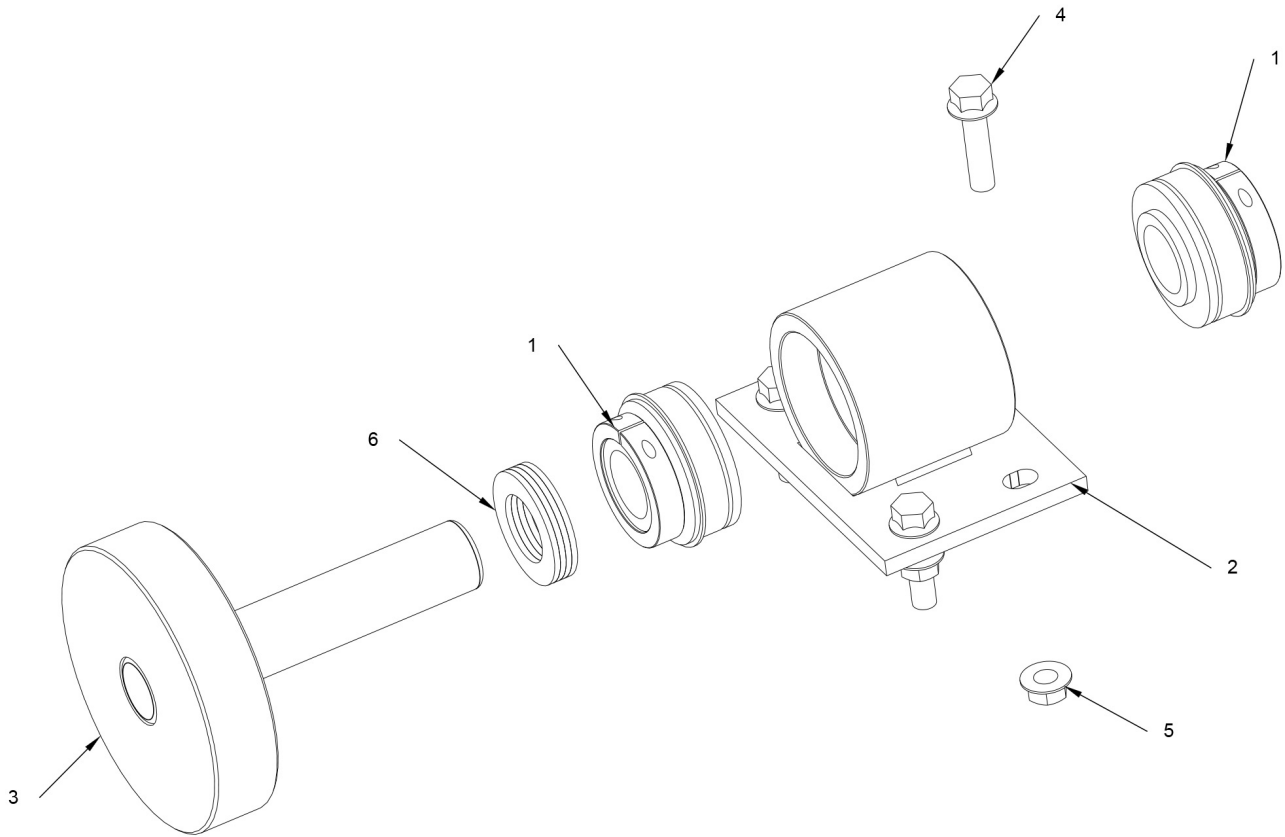
TUB DRIVE ASSEMBLY



TUB DRIVE ASSEMBLY

ITEM	PART	QTY.	PART DESCRIPTION
1	1000238	1	SPKT\B\120\14\2-1/4BORE\1/2KW (FOR S.N. 3000-3054)
1A	1000240	1	SPKT\B\120\17\2-1/4BORE\1/2KW (FOR S.N. 3055 & UP)
2	1100242	1	CHAIN\120H\CL
3	1100243	1	CHAIN\120H\OL
4	1100245	1	CHAIN\120H\217LNK+CL
5	3800082	2	FTG\LUB\1/4NFXZERK\ADAPT
6	4200035	1	MTR\HYD\1191031-003
7	4501328	2	BOLT\HEX\3X4X8-1/2
8	4501331	2	RLLR\DR\TUB THRU SN 3039
8A	4704024	2	RLLR\TNSR\CHAIN\TUB\CPPD SN 3040 AND UP
9	4501383	2	BRKT\SPRING\
10	4501705	2	BRKT\RLLR\TNSN
11	4501706	2	BRKT\RLLR\TNSN
12	4501707	1	BRKT\MTR\DR\TUB
13	4703713	1	WASH\MTR\ORBIT
14	4800011	4	BOLT\HEX\3/4X3-1/2
15	4800071	4	BOLT\HEX\5/16X1-1/4
16	4800115	8	BOLT\HEX\3/4X2-1/2
17	4800196	4	BOLT\HEX\5/8X2-3/4
18	4800575	1	BOLT\HEX\1/2X1-1/2\NF
19	4900003	4	NUT\HEX\5/16\NC
20	4900004	18	NUT\HEX\3/4\NC
21	4900005	4	NUT\HEX\5/8\NC
22	5000003	4	WASH\LOCK\5/8
23	5000006	1	WASH\LOCK\1/2
24	5000012	12	WASH\LOCK\3/4
25	5000022	4	WASH\LOCK\5/16
26	6100078	1	SPG\DR\TUB
27	6100079	1	SPG\DR\TUB

TUB ROLLER ASSEMBLY

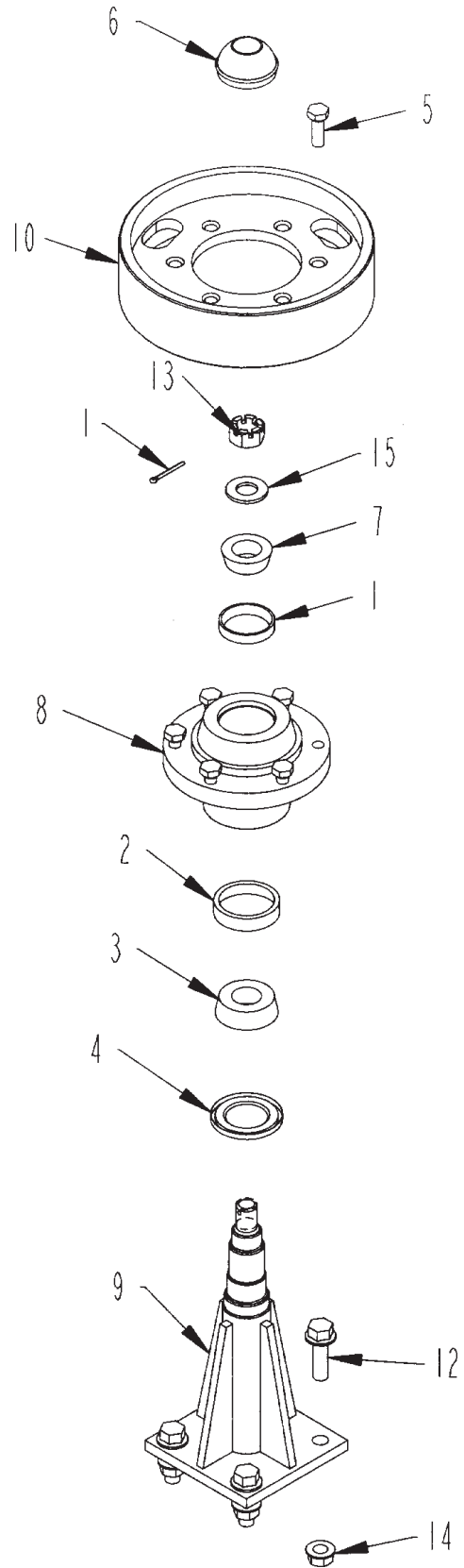


NOTE: 5000008-Washers are used to make the 2-3/8" measurement

TUB ROLLER ASSEMBLY

ITEM	PART	QTY.	PART DESCRIPTION
1	2000584	2	BRG\CYL\1-1/2\DLOK
2	4702007	1	BRG\PB\RLLR\TUB\ASY Includes item 1
3	4704116	1	ASSY\ROLLER\CARR\TUB
4	4800930	4	BOLT\FLG\SERR\1/2X2\NC
5	4900100	4	NUT\FLG\TPLCK\1/2\NC
6	5000008	As Needed	WASH\MACH\1-1/2IDX10GA\NR
	4704119		RLLR\TUB\ASSY\STEEL Includes 2, 3
Not Shown			
	4701863		SHIM\RLLR\TUB\10GA

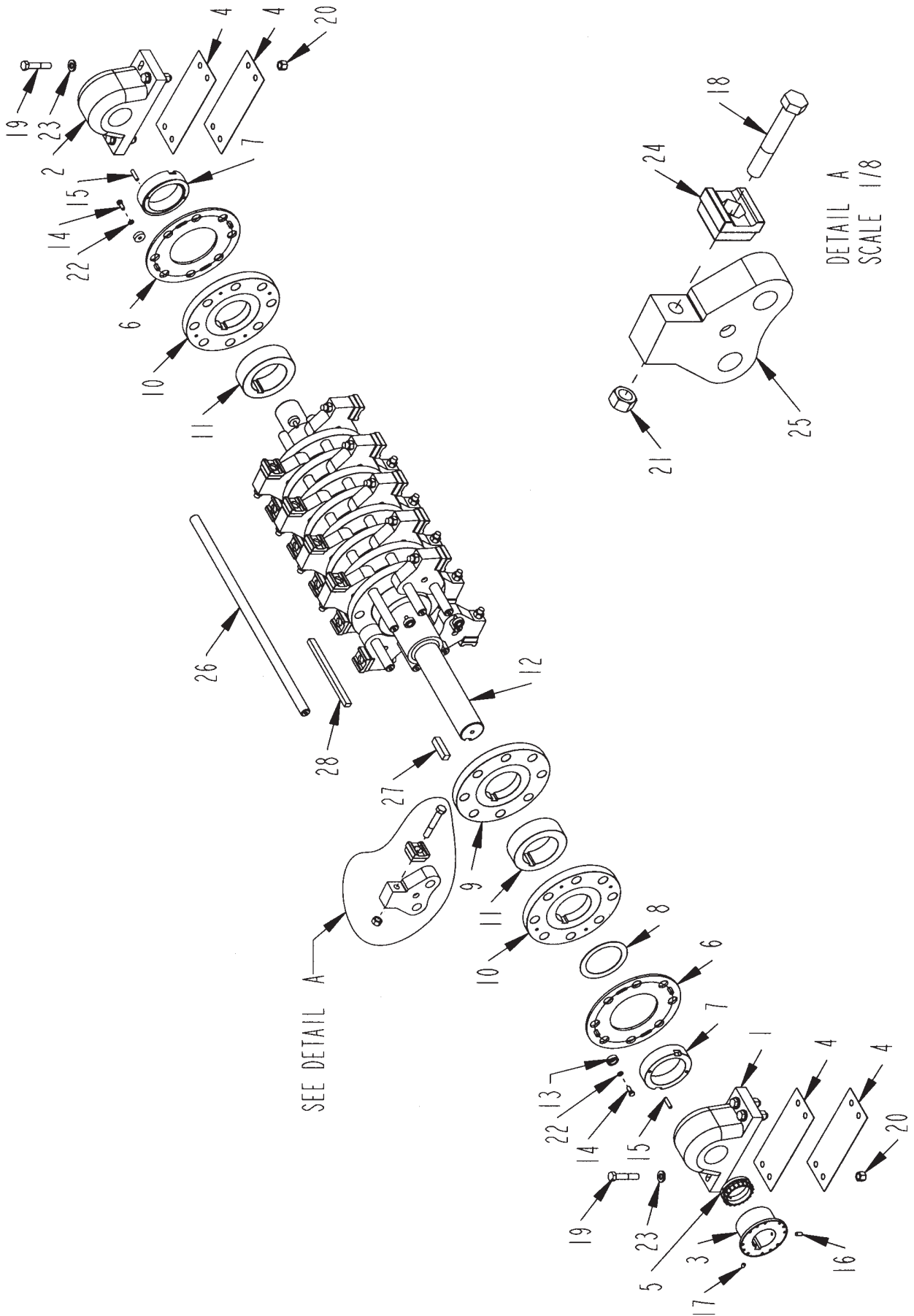
HEAVY PRESSURE ROLLER ASSEMBLY



HEAVY PRESSURE ROLLER ASSEMBLY

ITEM	PART	QTY.	PART DESCRIPTION
	4702593		RLLR\PRESS\HVY\6BOLT\COMPLETE
1	2900004	1	CUP\INNER\WHEEL HUB
2	2900006	1	CUP\INNER\WHEEL HUB
3	2900007	1	CONE\OUTER\WHL;HUB(2900069)
4	2900008	1	SEAL\GREASE(2900069HUB)
5	2900012	6	BOLT\WHL\WHL:HUB\1/2 X1-1/2
6	2900013	1	CAP\DUST\WHL;HUB(DC-13)
7	2900018	1	CONE\OUTER\WHL;HUB(67048)
8	2900069	1	HUB\COMPLETE\2900069 Includes 1,2,3,4,6,7
9	4702594	1	RLLR\PRESS\STAND\6BOLT
10	4702595	1	RLLR\PRESS\HVY\10-3/4X2-1/2
11	4800044	1	PIN\COT\5/16X1-1/2
12	4800949	4	BOLT\FLG\5/8X2\GR8\NC SN 3030 and up
12A	4800114		BOLT\HEX\1/2X2 SN 3001 to 3029
12B	5000004		WASH\FLAT\1/2 SN 3001 to 3029
13	4900054	1	NUT\CASTLE\1/2\NF
14	4900178	4	NUT\FLG\TPLCK\5/8\GR8\NC SN 3030 and up
14A	5000004		WASH\FLAT\1/2 SN 3001 to 3029
14B	5000006		WASH\LOCK\1/2 SN 3001 to 3029
14C	4900001		NUT\HEX\1/2\NC SN 3001 to 3029
15	5000055	1	WASH\SPINDLE\7/8

ROTOR ASSEMBLY



SEE DETAIL A

DETAIL A
SCALE 1/8

ROTOR ASSEMBLY

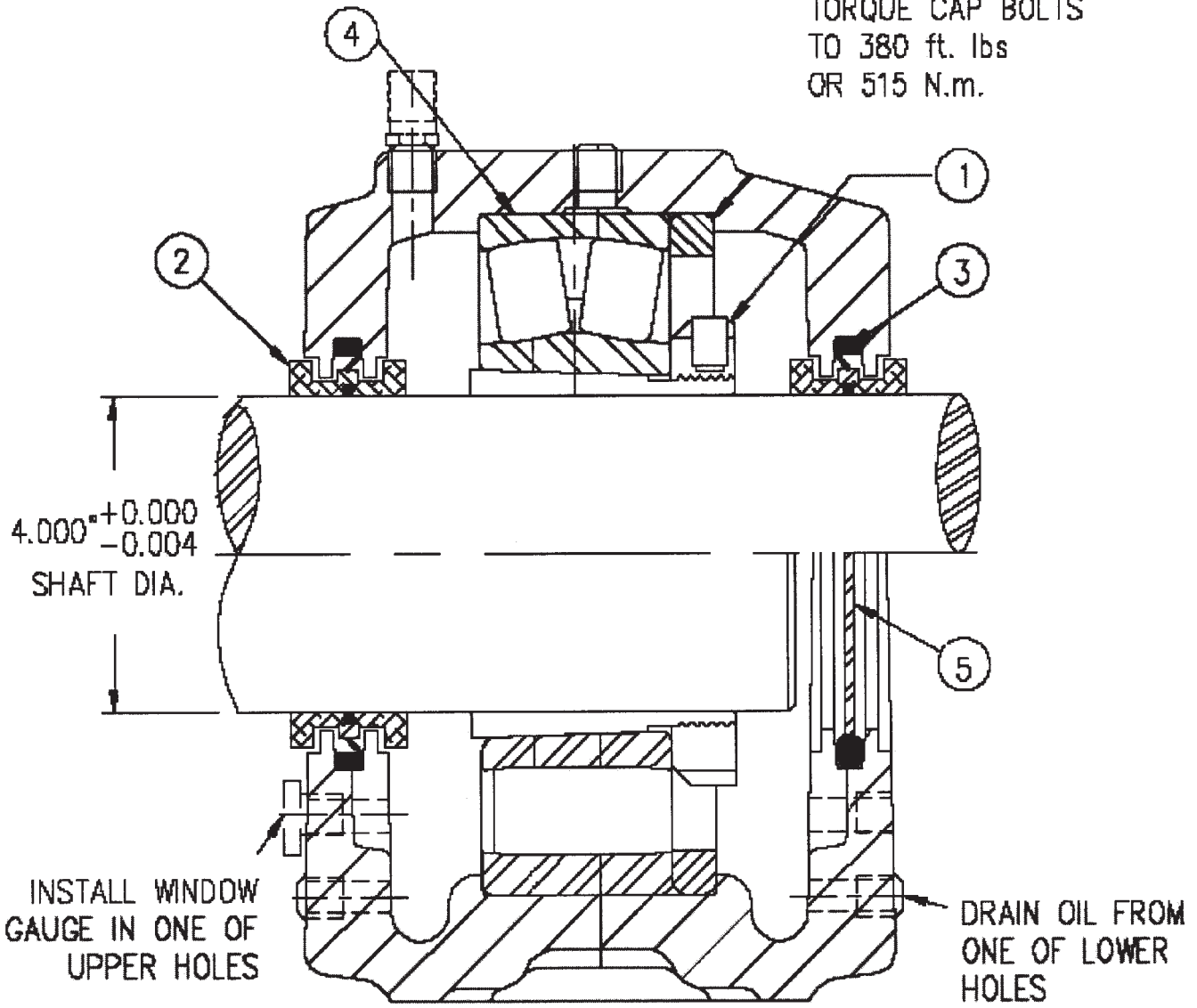
ITEM	PART	QTY.	PART DESCRIPTION
1	2000549	1	BRG\PB\4\SKF\DUCTILE\ADPT;MNT\SPHERICAL
1A	2000580	1	BRG\PB\4\DODGE\CAST\ISAF\NONEXPANSION\COMP (FOR SN IJ3115 TO IJ3120)
1B	2001050	1	BRG\PB\4\STL\ISAF\NON-EXP (FOR SN IJ3121 AND UP)
2	2000550	1	BRG\PB\4\SKF\DUCTILE\CARB\ADPT;MNT
2A	2000581	1	BRG\PB\4\DODGE\CAST\ISAF\EXPANSION\COMP (FOR SN IJ3115 TO IJ3120)
2B	2001051	1	BRG\PB\4\STL\ISAF\EXP (FOR SN IJ3121 AND UP)
3	3600332	1	FLG\4IDX4L\1810\DRLIN\HUB
4	4501583	4	SHIM\BRG\RTR\16GA (FOR SN UP TO IJ3120)
4A	4705076	2	SHM\BRG\RTR\STL\3/8\3010 (FOR SN IJ3121 AND UP)
4A	4705077	4	SHM\BRG\RTR\STL\16GA\3010 (FOR SN IJ3121 AND UP)
5	4700396	1	SPKT\60\20\4\SNSR
6	4701942	2	PL\RTR\MVBL\8.06IDX3\8X16
7	4701943	2	NUT\RTR\6X2X8\LH
8	4701944	1	WASH\FLAT\6\HARD\8 O.D.
9	4701947	9	PL\RTR\1-1/2X16\1-1/2ROD
10	4701948	2	PL\RTR\1-1/2X16\1-1/2ROD
11	4703557	10	SPCR\RTR\9X6.002X2.695
12	4703558	1	SHAFT\RTR\6X71-1/4\3010
13	4704292	8	WASHER\PL\MOVEABLE\RTR
14	4800018	8	BOLT\HEX\1/2X1-1/4
15	4800272	4	SCR\SET\AL1/2X2\NC
16	4800323	2	SCR\SET\AL1/2X1\NC
17	4800326	2	SCR\SET\AL1/2X1/2\NC
18	4800563	20	BOLT\HEX\7/8X5-1/2\GR9\NF
19	4800926	8	BOLT\HEX\7/8X4-1/2\NC
20	4900136	8	NUT\NYLCK\7/8\NC
21	4900148	20	NUT\TPLCK\7/8\GR9\NF
22	5000006	8	WASH\LOCK\1/2
23	5000120	8	WASH\FLAT\7/8\EXTRTHK\GR8
24	5200132	20	HMMR\TIP\1-HOLE
24A	5200135	38	HMMR\SWING\1X3-1/2X1-1/2\1-HOLE
25	5200136	20	HMMR\FIXED\BASE\HD12\1;BOLT
26	5300115	8	HMMR\ROD\1-1/2X43
27	6200049	1	KEY\SQ\1X4
28	6200066	3	KEY\RECT\1X3/4X14-1/4

NOT SHOWN

4703556

ASSY\RTR\43X16\1-1/2ROD>
(COMPLETE LESS RODS, HAMMERS AND BEARINGS)

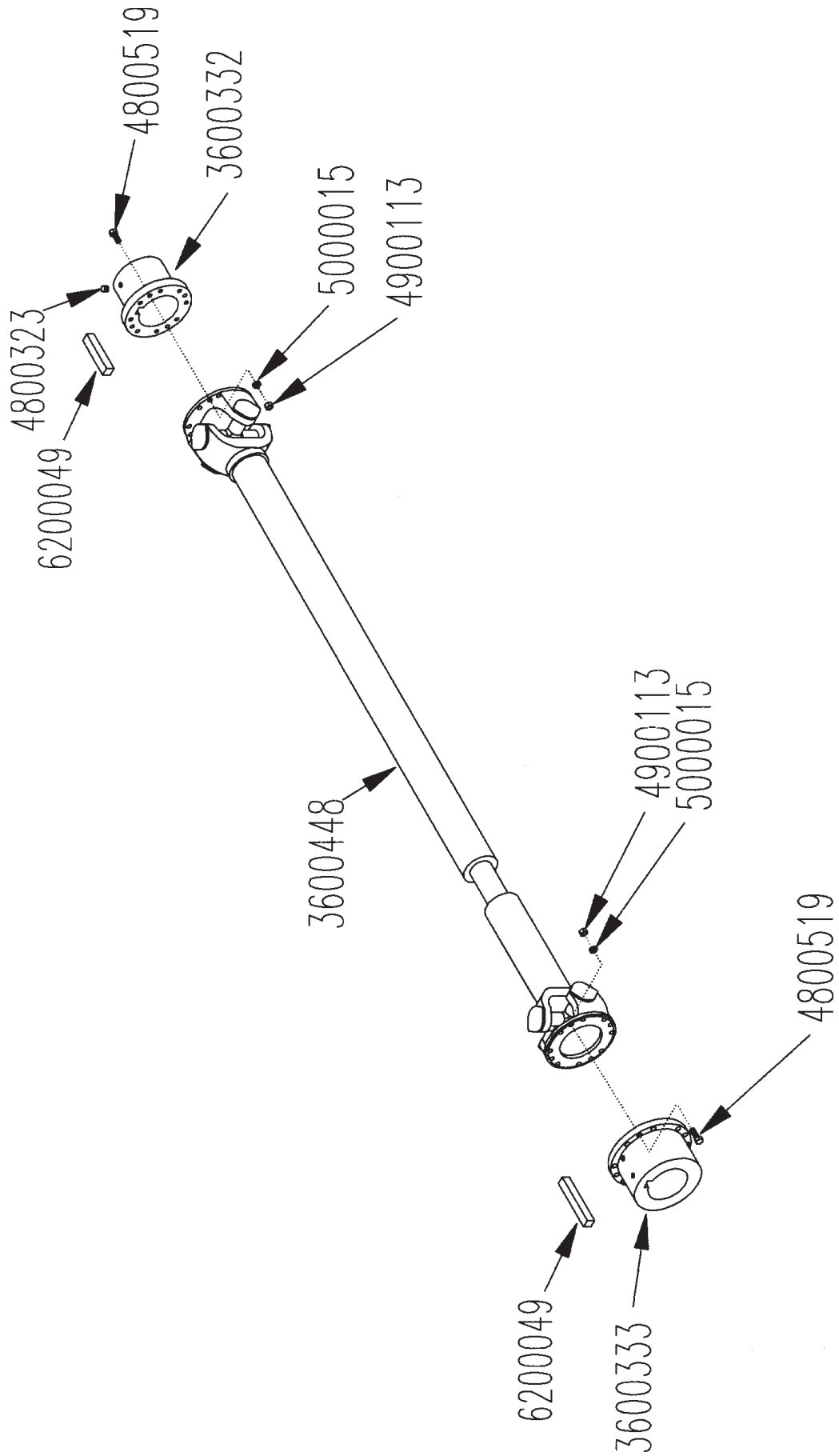
TORQUE CAP BOLTS
TO 380 ft. lbs
OR 515 N.m.



ROTOR BEARINGS - SKF

ITEM	PART	QTY.	PART DESCRIPTION
	2000549		
1	2000566		BRG\PB\4"\SLV&NUT
2	2000560		BRG\PB\4\SEAL\ALUM;RING W/ O-RING
3	2000551		BRG\PB\4\SEAL\HIGH;SPEED;TEFLON
4	2000563		BRG\INS\4\SKF\SPHER
	2000550		
1	2000566		BRG\PB\4"\SLV&NUT
2	2000560		BRG\PB\4\SEAL\ALUM;RING W/ O-RING
3	2000551		BRG\PB\4\SEAL\HIGH;SPEED;TEFLON
4	2000564		BRG\INS\4\SKF\CARB
5	2000565		BRG\PB\4\SKF\END CAP
	3800831		FTG\3\8MP\SIGHTGLASS
	3800832		FTG\3\4MP\SIGHTGLASS

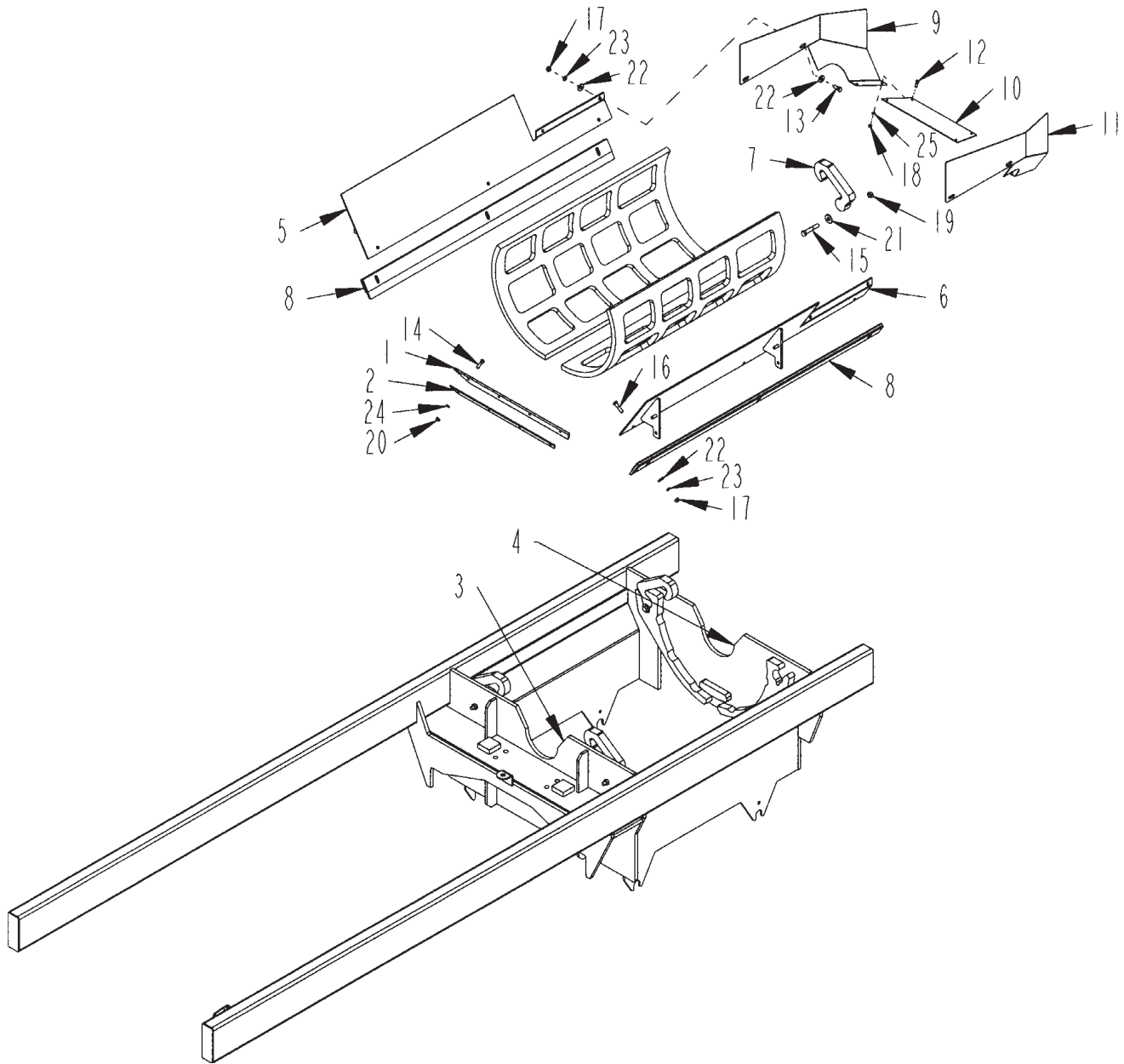
DRIVE LINE ASSEMBLY



DRIVE LINE ASSEMBLY

PART	QTY.	PART DESCRIPTION
3600332	1	FLG\4IDX4L\1810\DRLIN\HUB
3600333	1	FLG\3-15/16X4L\1810\HUB
3600448	1	DRLIN\IND\1810\70-3/4
4800323	8	SCR\SET\ALN\1/2X1\NC
4800519	24	BOLT\HEX\7/16X1-1/2\GR8\NF
4900113	24	NUT\HEX\7/16\GR8\NF
5000015	24	WASH\LOCK\7/16
6200049	2	KEY\SQ\1X4
NOT SHOWN		
3600798		JRNL\BRG\KIT\1810

ROTOR BOX ASSEMBLY (S.N. 3000 TO 3019)



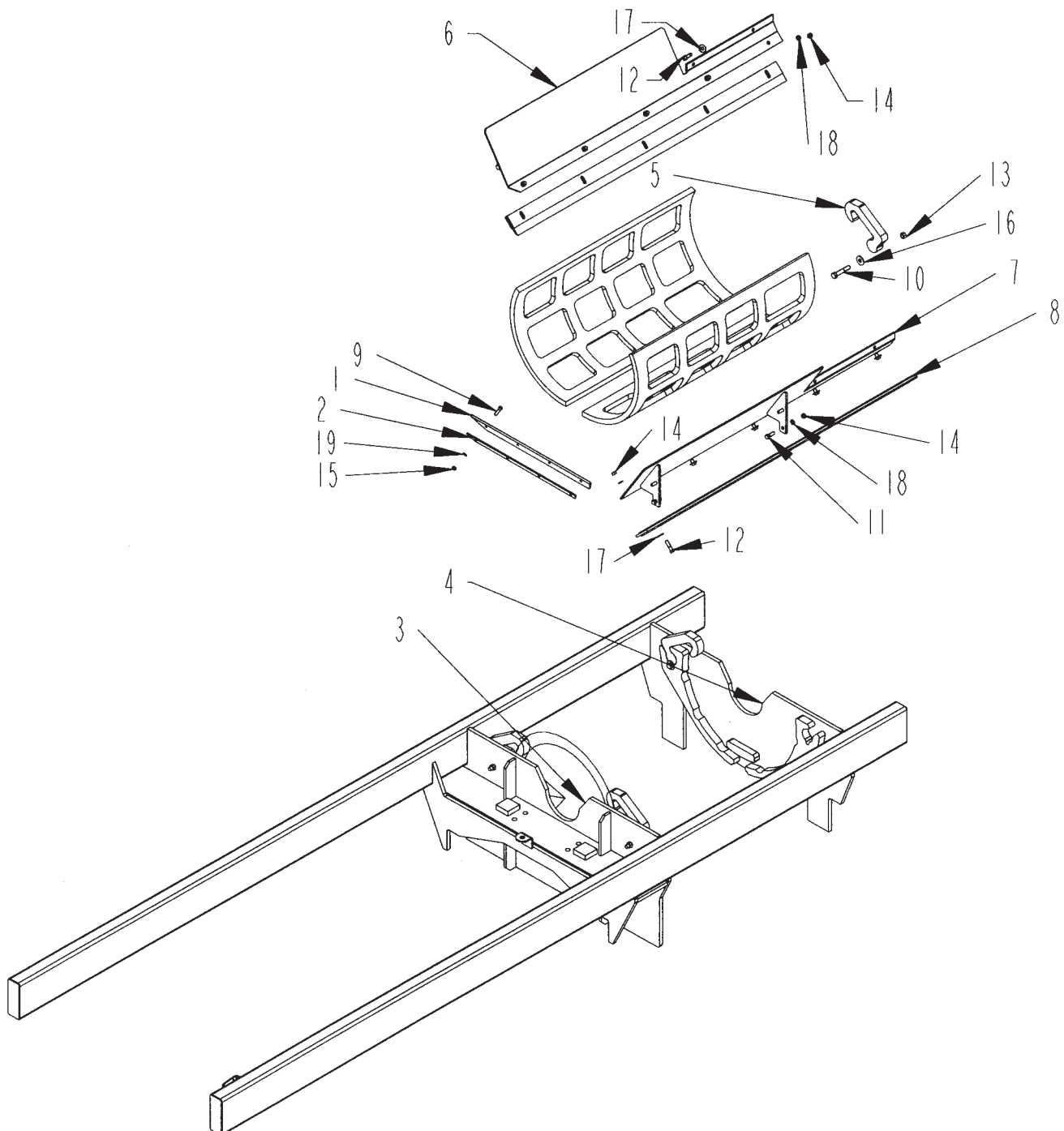
ROTOR BOX ASSEMBLY (S.N. 3000 TO 3019)

ITEM	PART	QTY.	PART DESCRIPTION
1	4501324	1	BELT\SEAL\CNVYR\BELLY\FRONT
2	4501770	1	STRAP\BELT\RET\BELLY\1150
3	4703706	1	PL\END\BOX\CYL\FRONT
4	4703707	1	PL\END\BOX\CYL\REAR
5	4703709	1	GUIDE\MATL\CNVYR\BELLY\RH
6	4703710	1	GUIDE\MATL\CNVYR\BELLY\LH
7	4703728	4	LTCH\SCREEN\RTR
8	4703750	2	SEAL\CNVYR\BELLY includes 21, 22, 23
9	4703961	1	CHUTE\MATL\RH
10	4703962	1	GUIDE\MATL
11	4703963	1	CHUTE\MATL\LH
12	4800003	4	BOLT\HEX\3/8X1
13	4800018	4	BOLT\HEX\1/2X1-1/4
14	4800040	4	BOLT\HEX\7/16X1-1/2
15	4800054	4	BOLT\HEX\5/8X3-1/2
16	4800114	6	BOLT\HEX\1/2X2
17	4900001	10	NUT\HEX\1/2\NC
18	4900002	4	NUT\HEX\3/8\NC
19	4900012	4	NUT\TPLCK\5/8\NC
20	4900025	4	NUT\HEX\7/16\NC
21	5000002	4	WASH\FLAT\5/8
22	5000004	14	WASH\FLAT\1/2
23	5000006	10	WASH\LOCK\1/2
24	5000015	4	WASH\LOCK\7/16
25	5000019	4	WASH\LOCK\3/8
21	D1016860	2	BELT\SKIRT\CNVYR\BELLY
22	D1016861	2	DLBR\SKIRT\BELT\CNVYR
23	D1016862	2	DLBR\SKIRT\BELT\CNVYR

SCREENS:

4701696	SCRN\1HL\1/2T\W\DOUBLER
4702621	SCRN\1-1/2HL\1/2\HARDOX\W\DOUBLER
4701521	SCRN\2HL\1\
4701522	SCRN\3HL\1\
4701523	SCRN\4HL\1\
4701524	SCRN\5X7HL\1\
4701823	SCRN\6X8HL\1\

ROTOR BOX ASSEMBLY (S.N. 3020 TO 3054)



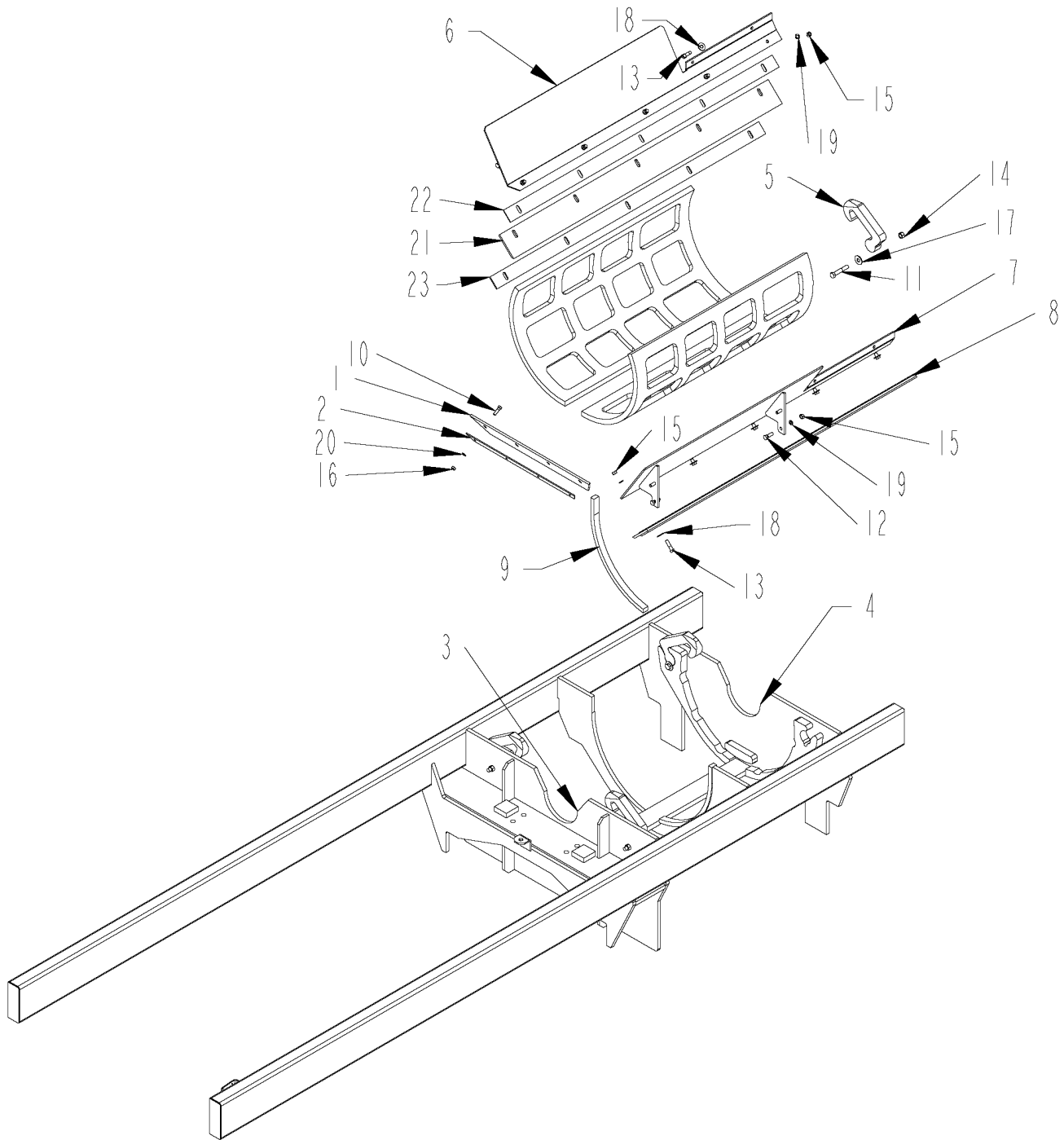
ROTOR BOX ASSEMBLY (S.N. 3020 TO 3054)

ITEM	PART	QTY.	PART DESCRIPTION
1	4501324	1	BELT\SEAL\CNVYR\BELLY\FRONT
2	4501770	1	STRAP\BELT\RET\BELLY\1150
3	4703706	1	PL\END\BOX\CYL\FRONT
4	4703707	1	PL\END\BOX\CYL\REAR
5	4703728	4	LTCH\SCREEN\RTR
6	4704210	1	GUIDE\MATL\CNVYR\BELLY\RH
7	4704211	1	GUIDE\MATL\CNVYR\BELLY\RH
8	4704212	2	SEAL\CNVYR\BELLY includes 21, 22, 23
9	4800040	4	BOLT\HEX\7/16X1-1/2
10	4800054	4	BOLT\HEX\5/8X3-1/2
11	4800082	4	BOLT\HEX\1/2X1-1/2
12	4800114	10	BOLT\HEX\1/2X2
13	4900012	4	NUT\TPLCK\5/8\NC
14	4900019	14	NUT\HEX\1/2\GR8\NC
15	4900025	4	NUT\HEX\7/16\NC
16	5000002	4	WASH\FLAT\5/8
17	5000004	10	WASH\FLAT\1/2
18	5000006	14	WASH\LOCK\1/2
19	5000015	4	WASH\LOCK\7/16
21	D1019426	2	BELT\SKIRT\CNVYR\BELLY
22	D1019427	2	DBLR\SKIRT\BELT\CNVYR\
23	D1019428	2	DBLR\SKIRT\BELT\CNVYR

SCREENS:

4701696	SCRN\1HL\1/2T\W\DOUBLER
4702621	SCRN\1-1/2HL\1/2\HARDOX\W\DOUBLER
4701521	SCRN\2HL\1\
4701522	SCRN\3HL\1\
4701523	SCRN\4HL\1\
4701524	SCRN\5X7HL\1\
4701823	SCRN\6X8HL\1\

ROTOR BOX ASSEMBLY (S.N. 3055 & UP)



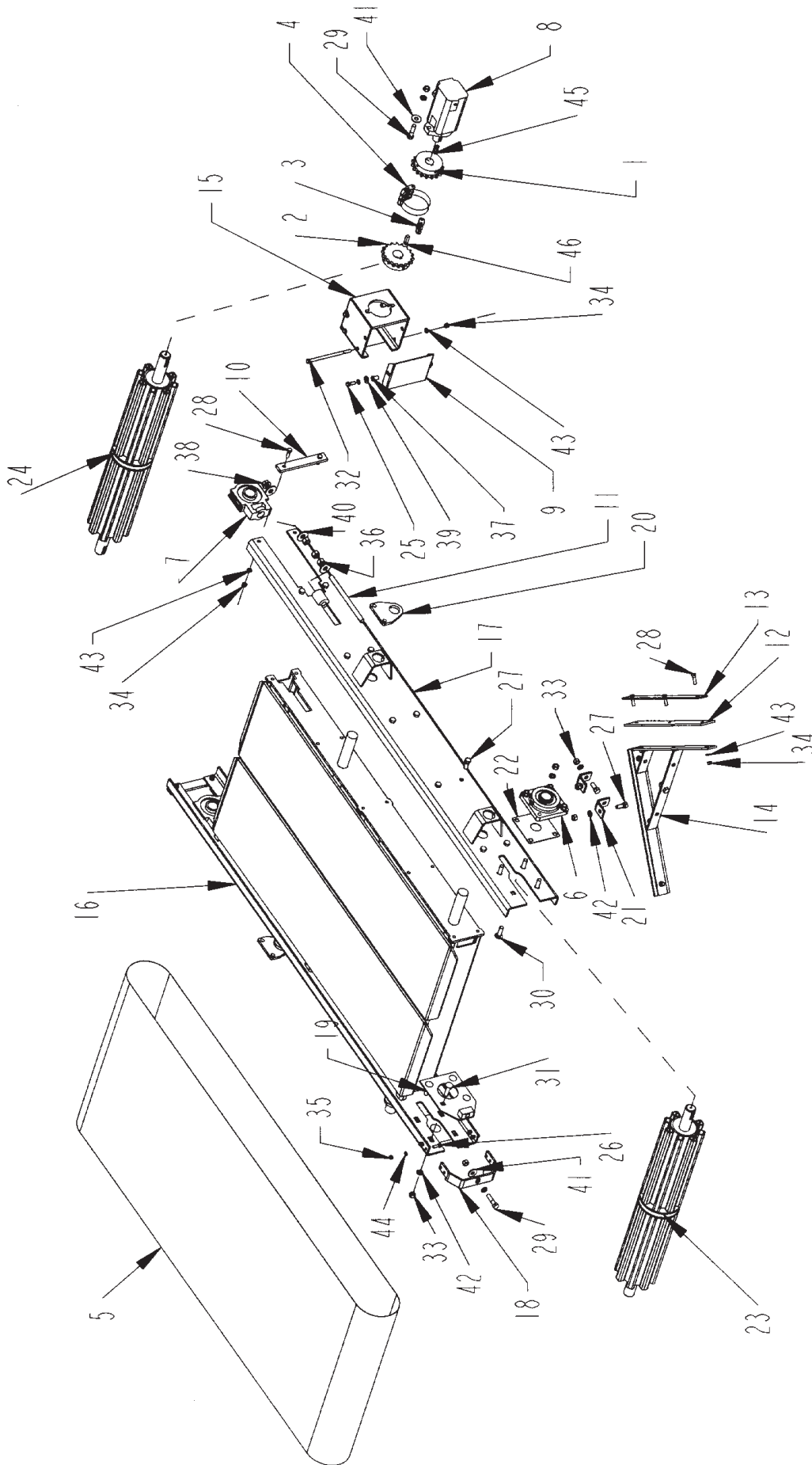
ROTOR BOX ASSEMBLY (S.N. 3055 & UP)

ITEM	PART	QTY.	PART DESCRIPTION
1	4501324	1	BELT\SEAL\CNVYR\BELLY\FRONT
2	4501770	1	STRAP\BELT\RET\BELLY\1150
3	4703706	1	PL\END\BOX\CYL\FRONT
4	4703707	1	PL\END\BOX\CYL\REAR
5	4703728	4	LTCH\SCREEN\RTR
6	4704210	1	GUIDE\MATL\CNVYR\BELLY\RH
7	4704211	1	GUIDE\MATL\CNVYR\BELLY\LH
8	4704212	2	SEAL\CNVYR\BELLY includes 21, 22, 23
9	4704531	2	PL\WEAR\MID\BOX\CYL
10	4800040	4	BOLT\HEX\7/16X1-1/2
11	4800054	4	BOLT\HEX\5/8X3-1/2
12	4800082	4	BOLT\HEX\1/2X1-1/2
13	4800114	10	BOLT\HEX\1/2X2
14	4900012	4	NUT\TPLCK\5/8\NC
15	4900019	14	NUT\HEX\1/2\GR8\NF
16	4900025	4	NUT\HEX\7/16\NC
17	5000002	4	WASH\FLAT\5/8
18	5000004	10	WASH\FLAT\1/2
19	5000006	14	WASH\LOCK\1/2
20	5000015	4	WASH\LOCK\7/16
21	D1019426	2	BELT\SKIRT\CNVYR\BELLY
22	D1019427	2	DBLR\SKIRT\BELT\CNVYR\
23	D1019428	2	DBLR\SKIRT\BELT\CNVYR

SCREENS

4704701	SCRN\5/8HL\1/2TW/CTR SUP
4704702	SCRN\3/4HL\1/2TW/CTR SUP
4704703	SCRN\1HL\1/2TW/CTR SUP
4704704	SCRN\1-1/4HL\1/2TW/CTR SUP
4704705	SCRN\1-1/2HL\1/2TW/CTR SUP
4701521	SCRN\2HL\1T
4701522	SCRN\3HL\1T
4701523	SCRN\4HL\1T
4701524	SCRN\5X7HL\1T
4701823	SCRN\6X8HL\1T

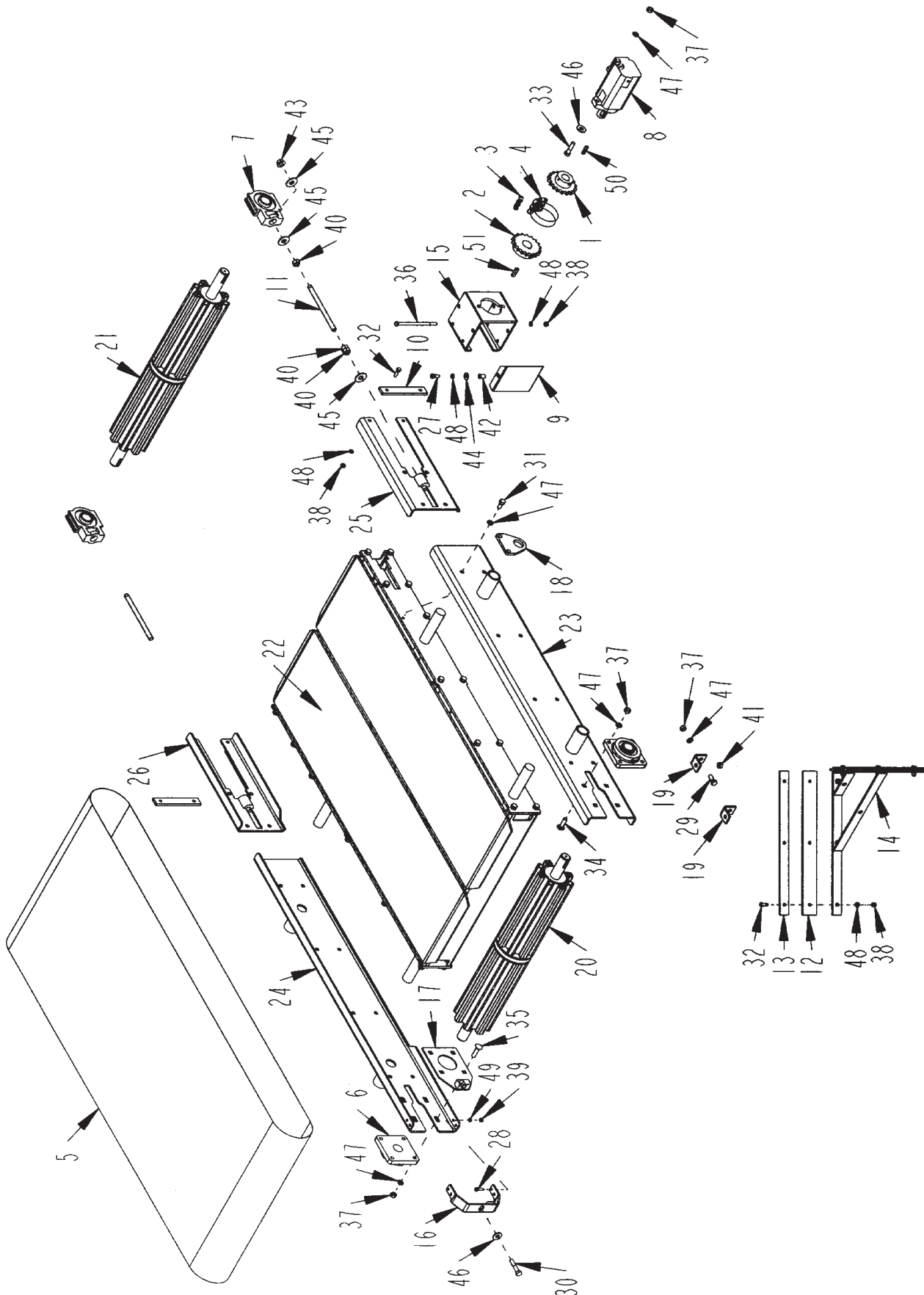
BELLY CONVEYOR ASSEMBLY (S.N. 3000 TO 3039)



BELLY CONVEYOR ASSEMBLY (S.N. 3000 TO 3039)

ITEM	PART	QTY.	PART DESCRIPTION
1	1000054	1	SPKT\60\B\18\1-1/4\5\16KW
2	1000081	1	SPKT\60\B\18\1-1/2\3\8KW
3	1100064	1	CHAIN\60DBL\CL
4	1100066	1	CHAIN\60DBL\17
5	1700187	1	BELT\CNVYR\30X148.5\CLTD\ENDLESS
6	2000303	2	BRG\FLG\1-1/2\BOLT
7	2000320	2	BRG\TUJ\1-1/2\W-ECC\BSEAL
8	3900021	1	MTR\HYD\8\2000
9	4501384	2	GUARD\SPKT\CPLG
10	4702204	2	STRAP\REINFRC\GUIDE\BRG\CNVYR
11	4702205	2	BOLT\ADJ\RLLR\DRV\CNVYR
12	4702644	2	FLAT\SCRPR\PLASTIC\CNVYR\BELLY
13	4702645	2	FLAT\DBLR\SCRPR\CNVYR\BELLY
14	4702839	1	FRM\SCRPR\BELT\CNVYR\BELLY
15	4703439	1	BRKT\MTR\DRV\CNVYR
16	4703935	1	FRM\CNVYR\BELLY
17	4703938	1	FRM\CNVYR\BLTD
18	4703941	1	BRKT\TGHTNR\RLLR\CNVYR
19	4703942	1	BRKT\SLIDE\BRG\CNVYR
20	4703943	2	LOCK\CNVYR\BELLY
21	4704056	2	BRKT\SCRPR\BELT\CNVYR\BELLY
22	4704067	2	PL\SEAL\BRG-S/N 3030 AND UP
23	4704101	1	RLLR\IDLER\37-1/2X6\CNVYR\BELLY
24	4704102	1	RLLR\DRIVE\39-3/4X6\CNVYR\BELLY
25	4800003	4	BOLT\HEX\3/8X1
26	4800013	4	BOLT\HEX\5/16X1
27	4800018	14	BOLT\HEX\1/2X1-1/4
28	4800098	10	BOLT\HEX\3/8X1-1/4\NC
29	4800114	3	BOLT\HEX\1/2X2
30	4800201	4	BOLT\CRG\1/2X1-3/4\NC\GR5
31	4800334	4	BOLT\CRG\1/2X2\NC
32	4800580	2	BOLT\HEX\3/8X7
33	4900001	15	NUT\HEX\1/2\NC
34	4900002	12	NUT\HEX\3/8\NC
35	4900003	4	NUT\HEX\5/16\NC
36	4900005	6	NUT\HEX\5/8\NC
37	4900083	4	NUT\INSERT\3/8\LONG\0.15-0.312\(.418/CD)
38	4900110	2	NUT\FLG\SERR\5/8\NC
39	5000001	4	WASH\FLAT\3/8
40	5000002	6	WASH\FLAT\5/8
41	5000004	3	WASH\FLAT\1/2
42	5000006	15	WASH\LOCK\1/2
43	5000019	16	WASH\LOCK\3/8
44	5000022	4	WASH\LOCK\5/16
45	6200004	1	KEY\SQ\5/16X1-1/2
46	6200007	1	KEY\SQ\3/8X1-1/2

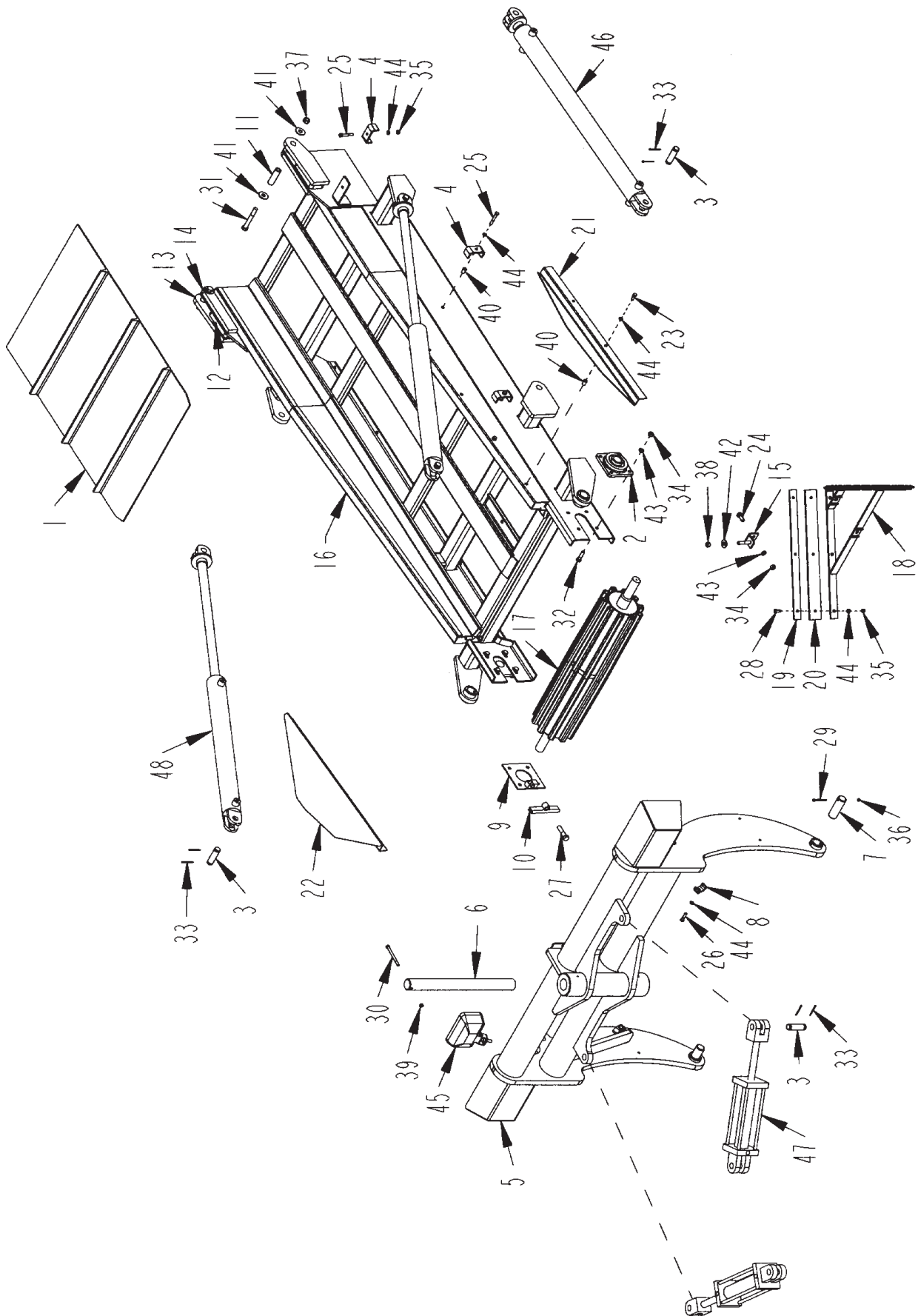
BELLY CONVEYOR ASSEMBLY (S.N. 3040 & UP)



BELLY CONVEYOR ASSEMBLY (S.N. 3040 & UP)

ITEM	PART	QTY.	PART DESCRIPTION
1	1000054	1	SPKT\60\B\18\1-1/4\5/16KW
2	1000081	1	SPKT\60\B\18\1-1/2\3/8KW
3	1100064	1	CHAIN\60DBL\CL
4	1100066	1	CHAIN\60DBL\17
5	1700187	1	BELT\CNVYR\30X148.5\CLTD
6	2000341	2	BRG\FLG\1-1/2\4BOLT
7	2000590	2	BRG\TUU\1-1/2\W-ECC
8	3900021	1	MTR\HYD\8\2000
9	4501384	2	GUARD\SPKT\CPLG
10	4702204	2	STRAP\REINFRC\GUIDE\BRG\CNVYR
11	4702205	2	BOLT\ADJ\RLLR\DRV\CNVYR
12	4702644	2	FLAT\SCRPR\PLASTIC\CNVYR\BELLY
13	4702645	2	FLAT\DBLR\SCRPR\CNVYR\BELLY
14	4702839	1	FRM\SCRPR\BELT\CNVYR\BELLY
15	4703439	1	BRKT\MTR\DRV\CNVYR
16	4703941	1	BRKT\TGHTNR\RLLR\CNVYR
17	4703942	1	BRKT\SLIDE\BRG\CNVYR
18	4703943	2	LOCK\CNVYR\BELLY
19	4704056	2	BRKT\SCRPR\BELT\CNVYR\BELLY
20	4704101	1	RLLR\IDLER\37-1/2X6\CNVYR\BELLY
21	4704102	1	RLLR\DRIVE\39-3/4X6\CNVYR\BELLY
22	4704287	1	FRM\CNVYR\BELLY
23	4704288	1	SIDE\CNVYR\BELLY\L.H.
24	4704289	1	SIDE\CNVYR\BELLY\R.H.
25	4704290	1	BRKT\BRG\CNVYR\BELLY\L.H.
26	4704291	1	BRKT\BRG\CNVYR\BELLY\R.H.
27	4800003	4	BOLT\HEX\3/8X1
28	4800013	4	BOLT\HEX\5/16X1
29	4800018	2	BOLT\HEX\1/2X1-1/4
30	4800070	1	BOLT\HEX\1/2X2-1/2
31	4800085	24	BOLT\HEX\1/2X1
32	4800098	10	BOLT\HEX\3/8X1-1/4\NC
33	4800114	2	BOLT\HEX\1/2X2
34	4800201	4	BOLT\CRG\1/2X1-3/4\NC\GR5
35	4800334	4	BOLT\CRG\1/2X2\NC
36	4800580	2	BOLT\HEX\3/8X7
37	4900001	12	NUT\HEX\1/2\NC
38	4900002	12	NUT\HEX\3/8\NC
39	4900003	4	NUT\HEX\5/16\NC
40	4900005	6	NUT\HEX\5/8\NC
41	4900014	2	NUT\TPLCK\1/2\NC
42	4900083	4	NUT\INSERT\3/8\LONG\0.15-0.312\(.418/CD)
43	4900110	2	NUT\FLG\SERR\5/8\NC
44	5000001	4	WASH\FLAT\3/8
45	5000002	6	WASH\FLAT\5/8
46	5000004	3	WASH\FLAT\1/2
47	5000006	36	WASH\LOCK\1/2
48	5000019	16	WASH\LOCK\3/8
49	5000022	4	WASH\LOCK\5/16
50	6200004	1	KEY\SQ\5/16X1-1/2
51	6200007	1	KEY\SQ\3/8X1-1/2

LOWER DISCHARGE CONVEYOR (S.N. 3000 TO 3019)



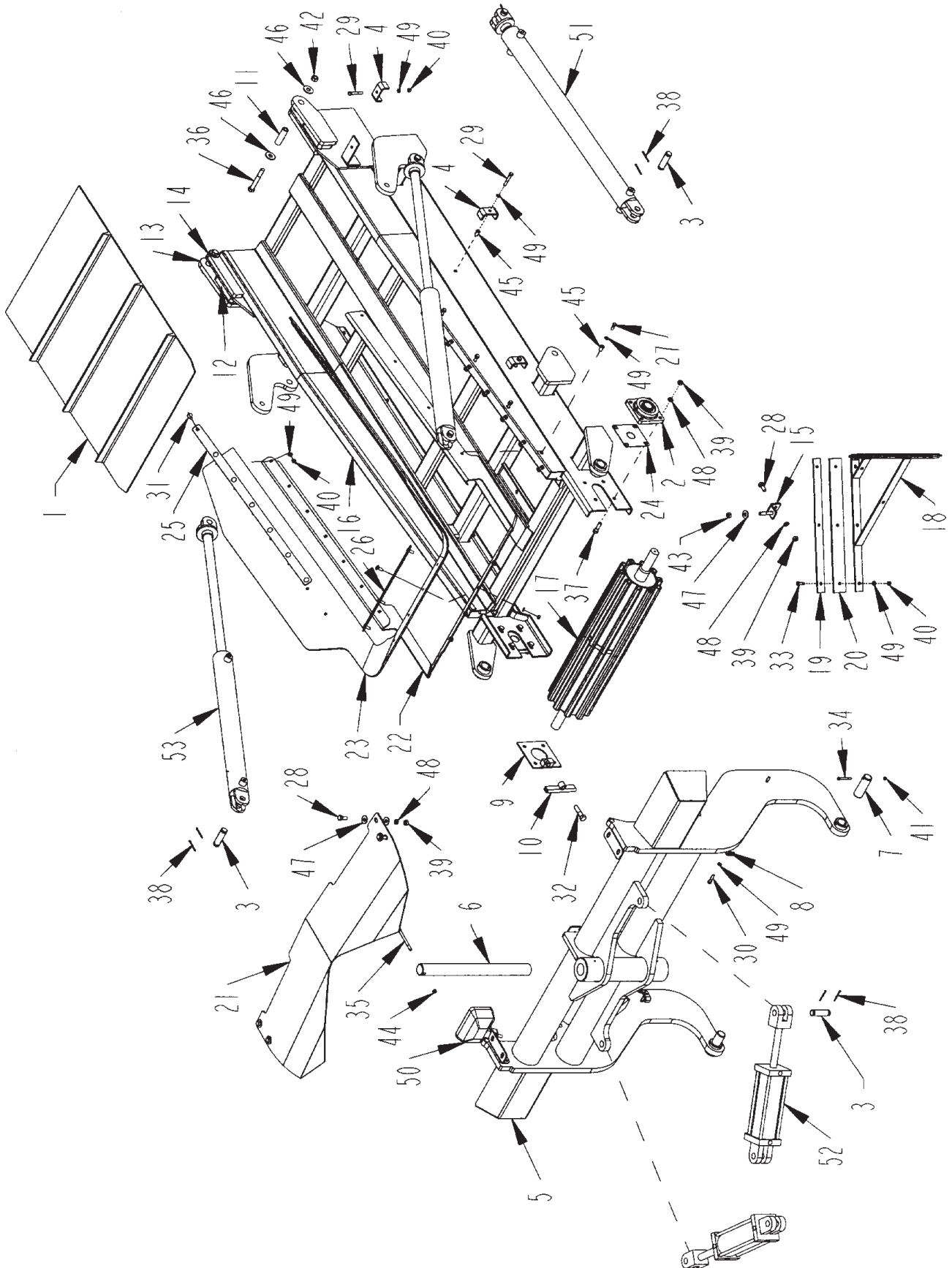
LOWER DISCHARGE CONVEYOR (S.N. 3000 TO 3019)

ITEM	PART	QTY.	PART DESCRIPTION
1	1700173	1	BELT\CNVYR\30X629
2	2000303	2	BRG\FLG\1-1/2\BOLT
3	4100030	12	PIN 1" X 3-1/2" HYD. CYL.
4	4500893	3	CLMP\HOSE\3/4
5	4501373	1	FRM\SWIVEL\CNVYR\DISCH
6	4501381	1	PIN\PIVOT\CNVYR\SWING
7	4501765	2	PIN\PIVOT\CNVYR\DISCH
8	4700776	2	CLMP\HOSE\3/8
9	4701528	1	BRKT\ADJ\TRACKING\CNVYR\DISCH
10	4701529	1	HOOK\ROD\ADJ\BELT\CNVYR\DISCH
11	4701553	2	BUSH\HINGE\CNVYR\DISCH
12	4702096	2	HINGE\CNVYR\LOWER\SPCR
13	4702149	2	HINGE\CNVYR\LOWER\SPCR
14	4702150	2	HINGE\CNVYR\LOWER\INSIDE
15	4702473	2	SCRPR\BELT\CNVYR\DISCH
16	4703430	1	FRM\CNVYR\DISCH\LOWER
17	4703435	1	RLLR\IDLER\41-1/2X8\CNVYR\DISCH
18	4703438	1	FRM\SCRPR\BELT\CNVYR\DISCH
19	4703443	2	FLT\DBL\SCRPR\CNVYR\DISCH
20	4703444	2	FLAT\SCRPR\PLASTIC\CNVYR\DISCH
21	4703951	1	GUIDE\MATL\CNVYR\DISCH
22	4703952	1	GUIDE\MATL\CNVYR\DISCH
23	4800003	4	BOLT\HEX\3/8X1
24	4800018	2	BOLT\HEX\1/2X1-1/4
25	4800029	3	BOLT\HEX\3/8X2-1/2
26	4800034	2	BOLT\HEX\3/8X1-1/2
27	4800079	1	BOLT\HEX\5/8X2-1/2
28	4800098	6	BOLT\HEX\3/8X1-1/4\NC
29	4800101	2	BOLT\HEX\1/4X2-1/2
30	4800152	1	BOLT\HEX\3/8X4-1/2
31	4800158	2	BOLT\HEX\5/8X4-1/2
32	4800178	8	BOLT\HEX\1/2X1-3/4
33	4800203	24	PIN\COT\5/16X2
34	4900001	10	NUT\HEX\1/2\NC
35	4900002	7	NUT\HEX\3/8\NC
36	4900009	2	NUT\HEX\1/4\NC
37	4900012	2	NUT\TPLCK\5/8\NC
38	4900014	2	NUT\TPLCK\1/2\NC
39	4900023	1	NUT\TPLCK\3/8\NC
40	4900083	6	NUT\INSERT\3/8\LONG\0.15-0.312\(.418/CD)
41	5000002	4	WASH\FLAT\5/8
42	5000004	2	WASH\FLAT\1/2
43	5000006	10	WASH\LOCK\1/2
44	5000019	15	WASH\LOCK\3/8
45	5700317	2	LAMP\HALOGEN\4X6\24V
46	4100175	2	CYL\HYD\3X36\PARALLEL
47	4100210	2	CYL\HYD\2X8\1-1/4RD\WELDED
48	4100218	2	CYL\HYD\3X30\1-1/2ROD\PARALLEL

Not Shown

1700130	LACING\R-2\30\PURCH
1700131	LACING\PIN\R-2\30\PURCH
1700132	LACING\RIVET\R-2\PURCH
1700137	LACING\TOOL\APPLICATOR\R-2\41213

LOWER DISCHARGE CONVEYOR (S.N. 3020 THRU 3089)



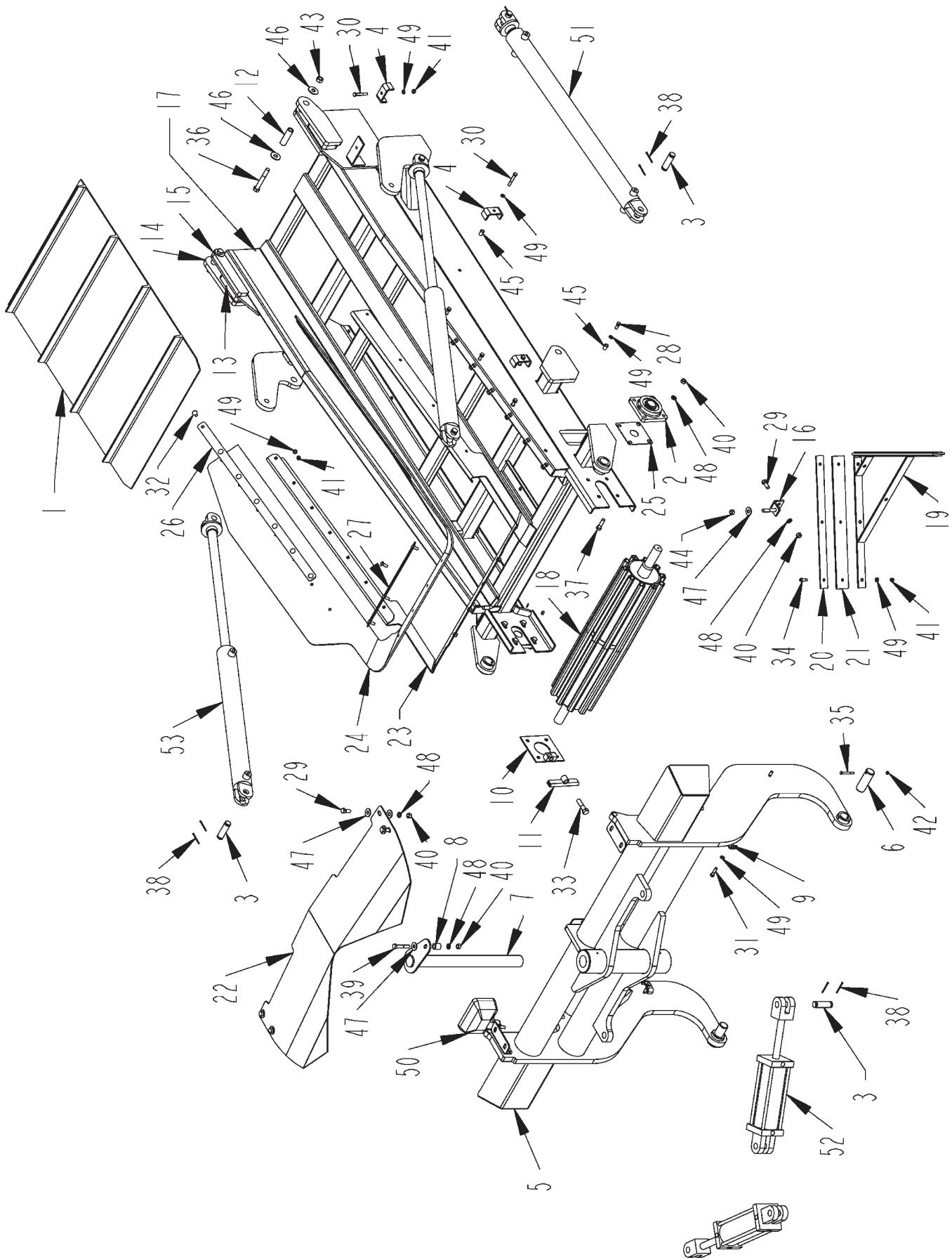
LOWER DISCHARGE CONVEYOR (S.N. 3020 THRU 3089)

ITEM	PART	QTY.	PART DESCRIPTION
1	1700173	1	BELT\CNVYR\30X629
2	2000303	2	BRG\FLG\1-1/2\BOLT
3	4100030	12	PIN\1X3 1/2\HYD. CYL.
4	4500893	3	CLMP\HOSE\3/4
5	4501373	1	FRM\SWIVEL\CNVYR\DISCH
6	4501381	1	PIN\PIVOT\CNVYR\SWING
7	4501765	2	PIN\PIVOT\CNVYR\DISCH
8	4700776	2	CLMP\HOSE\3/8
9	4701528	1	BRKT\ADJ\TRACKING\CNVYR\DISCH
10	4701529	1	HOOK\ROD\ADJ\BELT\CNVYR\DISCH
11	4701553	2	BUSH\HINGE\CNVYR\DISCH
12	4702096	2	HINGE\CNVYR\LOWER\SPCR
13	4702149	2	HINGE\CNVYR\LOWER\SPCR
14	4702150	2	HINGE\CNVYR\LOWER\INSIDE
15	4702473	2	SCRPR\BELT\CNVYR\DISCH
16	4703430	1	FRM\CNVYR\DISCH\LOWER
17	4703435	1	RLLR\IDLER\41-1/2X8\CNVYR\DISCH
18	4703438	1	FRM\SCRPR\BELT\CNVYR\DISCH
19	4703443	2	FLT\DBL\SCRPR\CNVYR\DISCH
20	4703444	2	FLAT\SCRPR\PLASTIC\CNVYR\DISCH
21	4703885	1	CVR\CNVYR\DSCHR
22	4703899	1	BRKT\CHUTE\DISCH
23	4703900	1	HPPR\CNVYR\DISCH
24	4704067	2	PL\SEAL\BRG-S/N 3030 AND UP
25	4704208	2	BRKT\CHUTE\CNVYR\BELLY
26	4704209	1	BRKT\CHUTE\CNVYR\BELLY
27	4800003	8	BOLT\HEX\3/8X1
28	4800018	6	BOLT\HEX\1/2X1-1/4
29	4800029	3	BOLT\HEX\3/8X2-1/2
30	4800034	2	BOLT\HEX\3/8X1-1/2
31	4800053	18	BOLT\CRG\3/8X1\NC
32	4800079	1	BOLT\HEX\5/8X2-1/2
33	4800098	6	BOLT\HEX\3/8X1-1/4\NC
34	4800101	2	BOLT\HEX\1/4X2-1/2
35	4800152	1	BOLT\HEX\3/8X4-1/2
36	4800158	2	BOLT\HEX\5/8X4-1/2
37	4800178	8	BOLT\HEX\1/2X1-3/4
38	4800203	24	PIN\COT\5/16X2
39	4900001	14	NUT\HEX\1/2\NC
40	4900002	25	NUT\HEX\3/8\NC
41	4900009	2	NUT\HEX\1/4\NC
42	4900012	2	NUT\TPLCK\5/8\NC
43	4900014	2	NUT\TPLCK\1/2\NC
44	4900023	1	NUT\TPLCK\3/8\NC
45	4900083	6	NUT\INSERT\3/8\LONG\0.15-0.312\(.418/CD)
46	5000002	4	WASH\FLAT\5/8
47	5000004	10	WASH\FLAT\1/2
48	5000006	14	WASH\LOCK\1/2
49	5000019	37	WASH\LOCK\3/8
50	5700317	2	LAMP\HALOGEN\4X6\24V
51	4100175	2	CYL\HYD\3X36\PARALLEL
52	4100210	2	CYL\HYD\2X8\1-1/4RD\WELDED
53	4100218	2	CYL\HYD\3X30\1-1/2ROD\7/8FOR\PARALLEL

Not Shown

1700130	LACING\R-2\30\PURCH
1700131	LACING\PIN\R-2\30\PURCH
1700132	LACING\RIVET\R-2\PURCH
1700137	LACING\TOOL\APPLICATOR\R-2\41213

LOWER DISCHARGE CONVEYOR (S.N. 3090 THRU 3140)



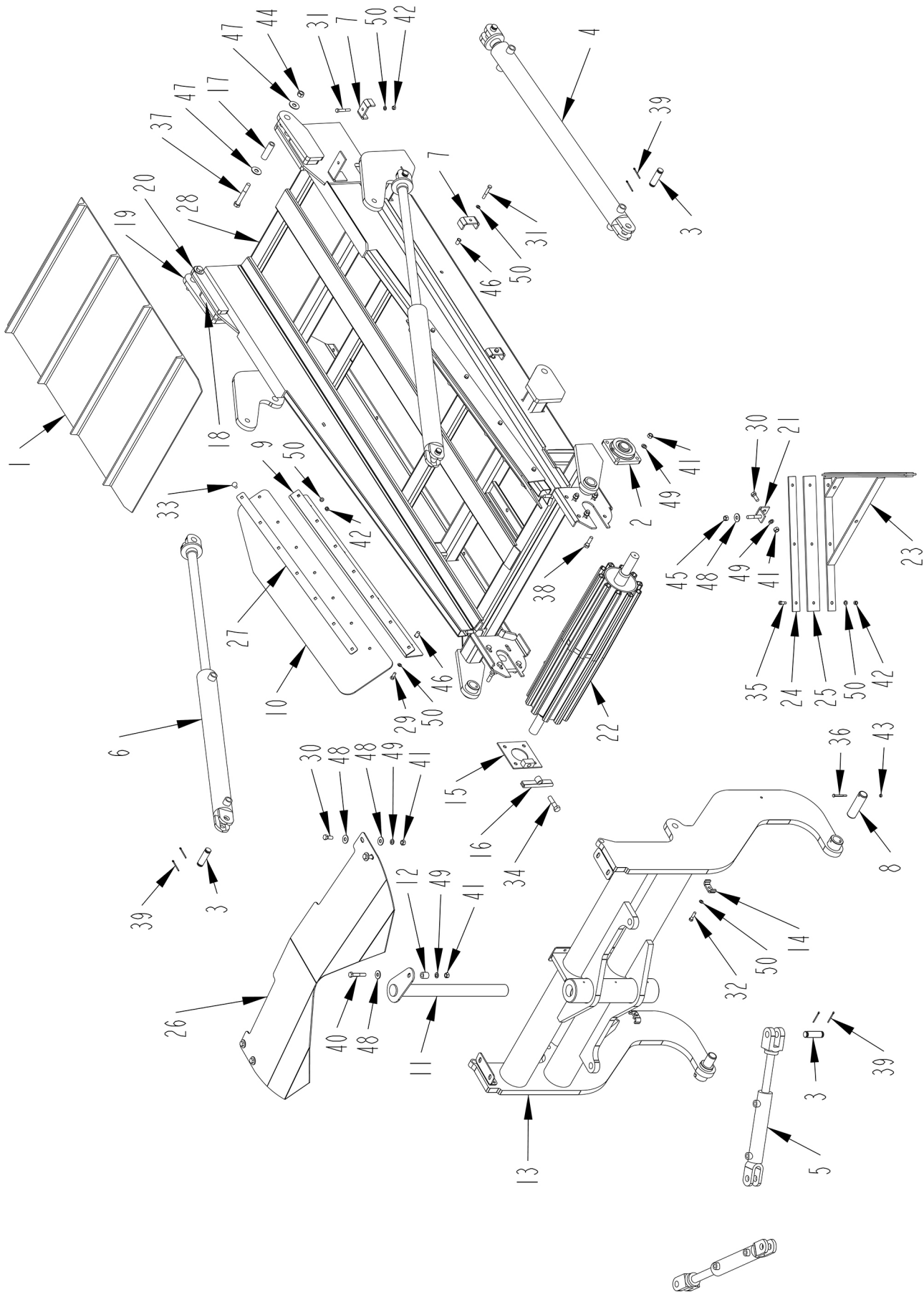
LOWER DISCHARGE CONVEYOR (S.N. 3090 THRU 3140)

ITEM	PART	QTY.	PART DESCRIPTION
1	1700173	1	BELT\CNVYR\30X639
2	2000341	2	BRG\FLG\1-1/2\BOLT
3	4100030	12	PIN 1" X 3-1/2" HYD. CYL.
4	4500893	3	CLMP\HOSE\3/4
5	4501373	1	FRM\SWIVEL\CNVYR\DISCH
6	4501765	2	PIN\PIVOT\CNVYR\DISCH
7	4502083	1	PIN\PIVOT\CNVYR\SWING
8	4502084	1	SPCR\PIN\PIVOT\CNVYR\SWING
9	4700776	2	CLMP\HOSE\3/8
10	4701528	1	BRKT\ADJ\TRACKING\CNVYR\DISCH
11	4701529	1	HOOK\ROD\ADJ\BELT\CNVYR\DISCH
12	4701553	2	BUSH\HINGE\CNVYR\DISCH
13	4702096	2	HINGE\CNVYR\LOWER\SPCR
14	4702149	2	HINGE\CNVYR\LOWER\SPCR
15	4702150	2	HINGE\CNVYR\LOWER\INSIDE
16	4702473	2	SCRPR\BELT\CNVYR\DISCH
17	4703430	1	FRM\CNVYR\DISCH\LOWER
18	4703435	1	RLLR\IDLER\41-1/2X8\CNVYR\DISCH
19	4703438	1	FRM\SCRPR\BELT\CNVYR\DISCH
20	4703443	2	FLT\DBL\SCRPR\CNVYR\DISCH
21	4703444	2	FLAT\SCRPR\PLASTIC\CNVYR\DISCH
22	4703885	1	CVR\CNVYR\DSCHR
23	4703899	1	BRKT\CHUTE\DISCH
24	4703900	1	HPPR\CNVYR\DISCH
25	4704067	2	PL\SEAL\BRG
26	4704208	2	BRKT\CHUTE\CNVYR\BELLY
27	4704209	1	BRKT\CHUTE\CNVYR\BELLY
28	4800003	8	BOLT\HEX\3/8X1
29	4800018	6	BOLT\HEX\1/2X1-1/4
30	4800029	3	BOLT\HEX\3/8X2-1/2
31	4800034	2	BOLT\HEX\3/8X1-1/2
32	4800053	18	BOLT\CRG\3/8X1\NC
33	4800079	1	BOLT\HEX\5/8X2-1/2
34	4800098	6	BOLT\HEX\3/8X1-1/4\NC
35	4800101	2	BOLT\HEX\1/4X2-1/2
36	4800158	2	BOLT\HEX\5/8X4-1/2
37	4800178	8	BOLT\HEX\1/2X1-3/4
38	4800203	24	PIN\COT\5/32X2
39	4800351	1	BOLT\HEX\1/2X2-3/4
40	4900001	15	NUT\HEX\1/2\NC
41	4900002	25	NUT\HEX\3/8\NC
42	4900009	2	NUT\HEX\1/4\NC
43	4900012	2	NUT\TPLCK\5/8\NC
44	4900014	2	NUT\TPLCK\1/2\NC
45	4900083	6	NUT\INSERT\3/8\LONG\0.15-0.312\(.418/CD)
46	5000002	4	WASH\FLAT\5/8
47	5000004	11	WASH\FLAT\1/2
48	5000006	15	WASH\LOCK\1/2
49	5000019	37	WASH\LOCK\3/8
50	5700317	2	LAMP\HALOGEN\4X6\24V
50a	5700627	2	BULB\HALOGEN\24V, replacement bulb for 5700317
51	4100175	2	CYL\HYD\3X36\PARALLEL
52	4100210	2	CYL\HYD\2X8\1-1/4RD\WELDE
53	4100218	2	CYL\HYD\3X30\1-1/2ROD\PARALLEL

NOT SHOWN

1700130	LACING\R-2\30\PURCH
1700131	LACING\PIN\R-2\30\PURCH
1700132	LACING\RIVET\R-2\PURCH
1700137	LACING\TOOL\APPLICATOR\R-2\41213

LOWER DISCHARGE CONVEYOR (S.N. 3141 AND UP)



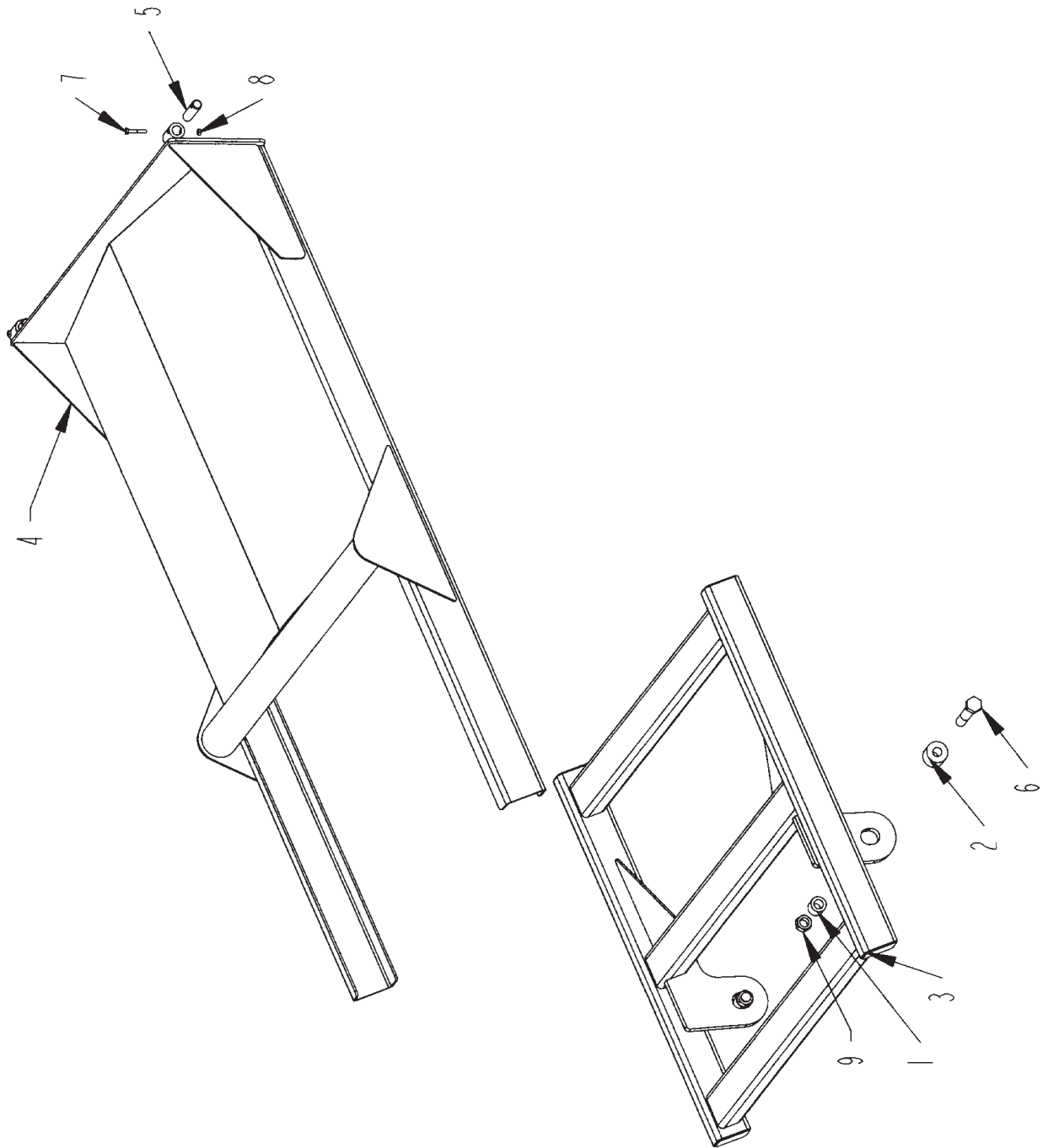
LOWER DISCHARGE CONVEYOR (S.N. 3141 AND UP)

ITEM	PART	QTY.	PART DESCRIPTION
1	1700173	1	BELT\CNVYR\30X639
2	2000341	2	BRG\FLG\1-1/2\BOLT
3	4100030	12	PIN 1" X 3-1/2" HYD. CYL.
4	4100175	2	CYL\HYD\3X36\PARALLEL
5	4100210	2	CYL\HYD\2X8\1-1/4RDIWELDE
6	4100218	2	CYL\HYD\3X30\1-1/2ROD\PARALLEL
7	4500893	3	CLMP\HOSE\3/4
8	4501765	2	PIN\PIVOT\CNVYR\DISCH
9	4502039	2	BRKT\SEAL\RUBBER
10	4502041	2	HPPR\CNVYR\DISCH
11	4502083	1	PIN\PIVOT\CNVYR\SWING
12	4502084	1	SPCR\PIN\PIVOT\CNVYR\SWING
13	4502497	1	FRM\SWIVEL\CNVYR\DISCH
14	4700776	2	CLMP\HOSE\3/8
15	4701528	1	BRKT\ADJ\TRACKING\CNVYR\DISCH
16	4701529	1	HOOK\ROD\ADJ\BELT\CNVYR\DISCH
17	4701553	2	BUSH\HINGE\CNVYR\DISCH
18	4702096	2	HINGE\CNVYR\LOWER\SPCR
19	4702149	2	HINGE\CNVYR\LOWER\SPCR
20	4702150	2	HINGE\CNVYR\LOWER\INSIDE
21	4702473	2	SCRPR\BELT\CNVYR\DISCH
22	4703435	1	RLLR\IDLER\41-1/2X8\CNVYR\DISCH
23	4703438	1	FRM\SCRPR\BELT\CNVYR\DISCH
24	4703443	2	FLT\DBL\SCRPR\CNVYR\DISCH
25	4703444	2	FLAT\SCRPR\PLASTIC\CNVYR\DISCH
26	4703885	1	CVR\CNVYR\DSCHR
27	4704208	2	BRKT\CHUTE\CNVYR\BELLY
28	4704955	1	FRM\CNVYR\DISCH\LOWER
29	4800003	8	BOLT\HEX\3/8X1
30	4800018	6	BOLT\HEX\1/2X1-1/4
31	4800029	3	BOLT\HEX\3/8X2-1/2
32	4800034	2	BOLT\HEX\3/8X1-1/2
33	4800053	14	BOLT\CRG\3/8X1\NC
34	4800079	1	BOLT\HEX\5/8X2-1/2
35	4800098	6	BOLT\HEX\3/8X1-1/4\NC
36	4800101	2	BOLT\HEX\1/4X2-1/2
37	4800158	2	BOLT\HEX\5/8X4-1/2
38	4800178	8	BOLT\HEX\1/2X1-3/4
39	4800203	24	PIN\COT\5/32X2
40	4800351	1	BOLT\HEX\1/2X2-3/4
41	4900001	15	NUT\HEX\1/2\NC
42	4900002	21	NUT\HEX\3/8\NC
43	4900009	2	NUT\HEX\1/4\NC
44	4900012	2	NUT\TPLCK\5/8\NC
45	4900014	2	NUT\TPLCK\1/2\NC
46	4900083	10	NUT\INSERT\3/8\LONG\0.15-0.312\(.418/CD)
47	5000002	4	WASH\FLAT\5/8
48	5000004	11	WASH\FLAT\1/2
49	5000006	15	WASH\LOCK\1/2
50	5000019	33	WASH\LOCK\3/8

NOT SHOWN

1700130	LACING\IR-2\30\PURCH
1700131	LACING\PIN\IR-2\30\PURCH
1700132	LACING\RIVET\IR-2\PURCH
1700137	LACING\TOOL\APPLICATOR\IR-2\41213

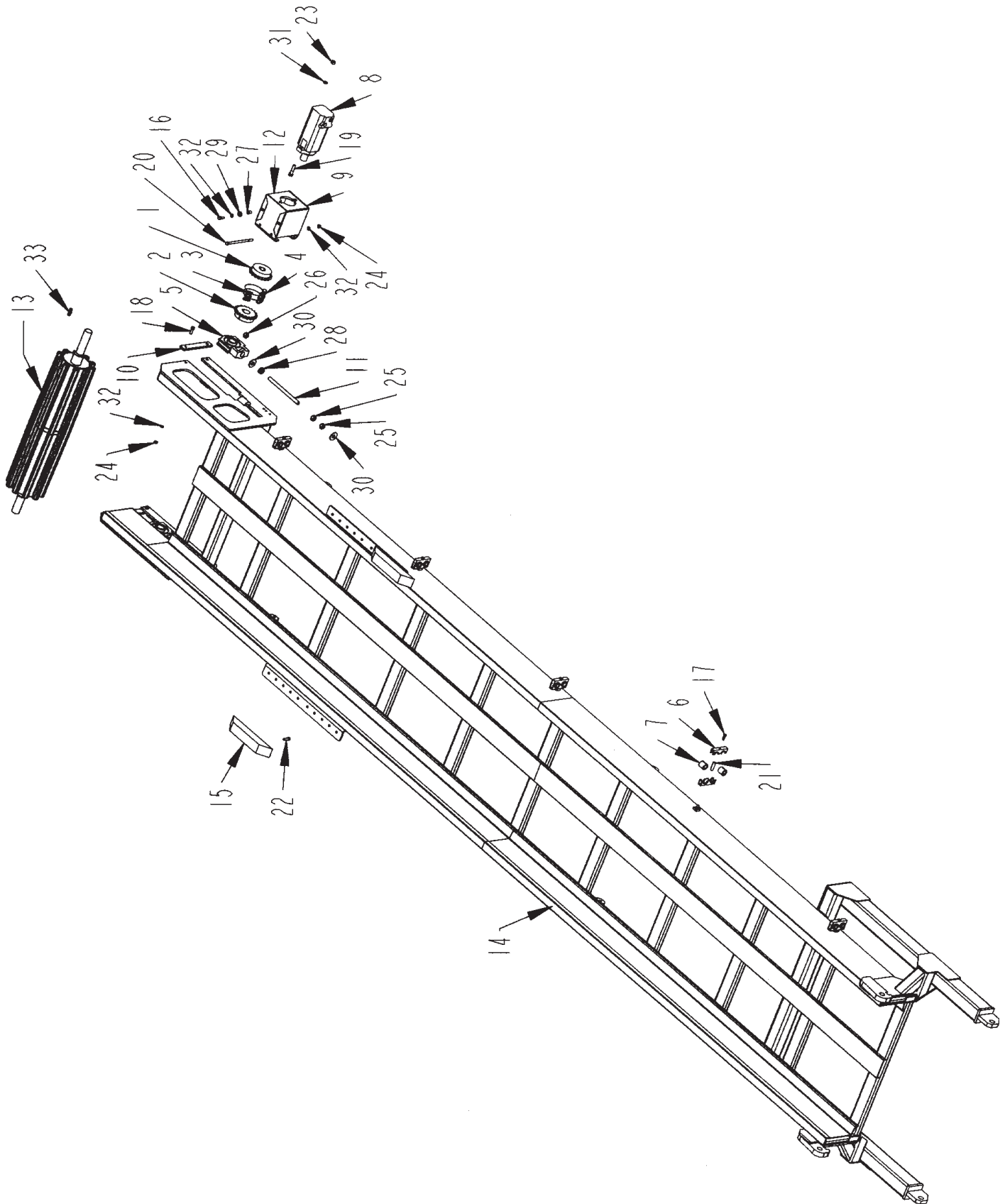
MATERIAL SLIDE (S.N. 3020 & UP)



MATERIAL SLIDE (S.N. 3020 & UP)

ITEM	PART	QTY.	PART DESCRIPTION
1	4703626	2	BSHNG\SLIDR\CVR\CNVYR\DISCH
2	4703488	2	TUBE\SPCR\HINGE\CVR\CNVYR
3	4703882	1	SHLD\CNVYR\DSCHR
4	4703883	1	CVR\SHLD\CNVYR\DSCHR
5	4703896	2	PIN\SHLD\CNVYR\DSCHR
6	4800139	2	BOLT\HEX\3/4X4-1/2
7	4800505	2	BOLT\HEX\1/4X1-1/2\NC
8	4900084	2	NUT\TPLCK\1/4\NC
9	4900139	2	NUT\TPLCK\3/4\GR8\NC

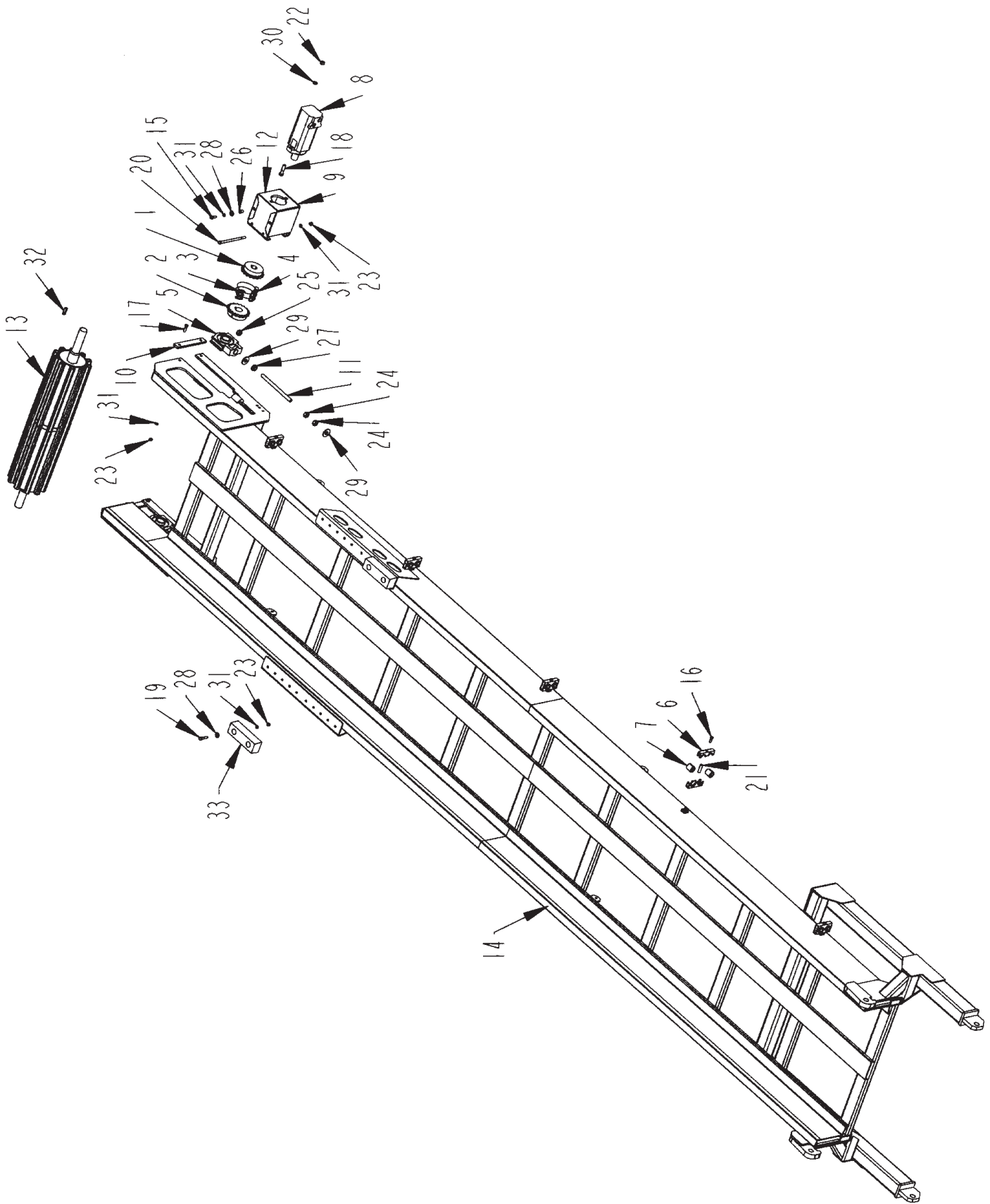
UPPER DISCHARGE CONVEYOR (S.N. 3000 TO 3019)



UPPER DISCHARGE CONVEYOR (S.N. 3000 TO 3019)

ITEM	PART	QTY.	PART DESCRIPTION
1	1000054	1	SPKT\60\B\18\1-1/4\5/16KW
2	1000081	1	SPKT\60\B\18\1-1/2\3/8KW
3	1100064	1	CHAIN\60DBL\CL
4	1100066	1	CHAIN\60DBL\17
5	2000320	2	BRG\TUU\1-1/2\W-ECC\BSEAL
6	3800552	10	CLAMP\HOSE\1-1/4\2HOLES
7	3800650	10	BUSH\RBBR\TUBE\3/4X1-1/4X1-1/4
8	3900010	1	MTR\HYD\24\2000\SAE;A
9	4702203	1	BRKT\MTR\DRV\CNVYR
10	4702204	2	STRAP\REINFRC\GUIDE\BRG\CNVYR
11	4702205	2	BOLT\ADJ\RLLR\DRV\CNVYR
12	4702206	2	GUARD\SPKT\CPLG\DRV\CNVYR
13	4703437	1	RLLR\DRV\41-1/2X8\CNVYR\DIS
14	4703429	1	FRM\CNVYR\DISCH\UPPER-THRU SN 3029
14A	4704074	1	FRM\CNVYR\DISCH\UPPER-SN 3030 AND UP
15	4704099	2	BMPR\CNVYR\DISCH
16	4800003	4	BOLT\HEX\3/8X1
17	4800013	5	BOLT\HEX\5/16X1
18	4800098	4	BOLT\HEX\3/8X1-1/4\NC
19	4800114	2	BOLT\HEX\1/2X2
20	4800580	2	BOLT\HEX\3/8X7
21	4800603	5	NUT\STACK\5/16X1-3/4\NC
22	4801198	4	SCR\LAG\3/8X1-1/2
23	4900001	2	NUT\HEX\1/2\NC
24	4900002	6	NUT\HEX\3/8\NC
25	4900005	4	NUT\HEX\5/8\NC
26	4900012	2	NUT\TPLCK\5/8\NC
27	4900082	4	NUT\INSERT\3/8\027X.150GR
28	4900110	2	NUT\FLG\SERR\5/8\NC
29	5000001	4	WASH\FLAT\3/8
30	5000002	4	WASH\FLAT\5/8
31	5000006	2	WASH\LOCK\1/2
32	5000019	10	WASH\LOCK\3/8
33	6200007	1	KEY\SQ\3/8X1-1/2

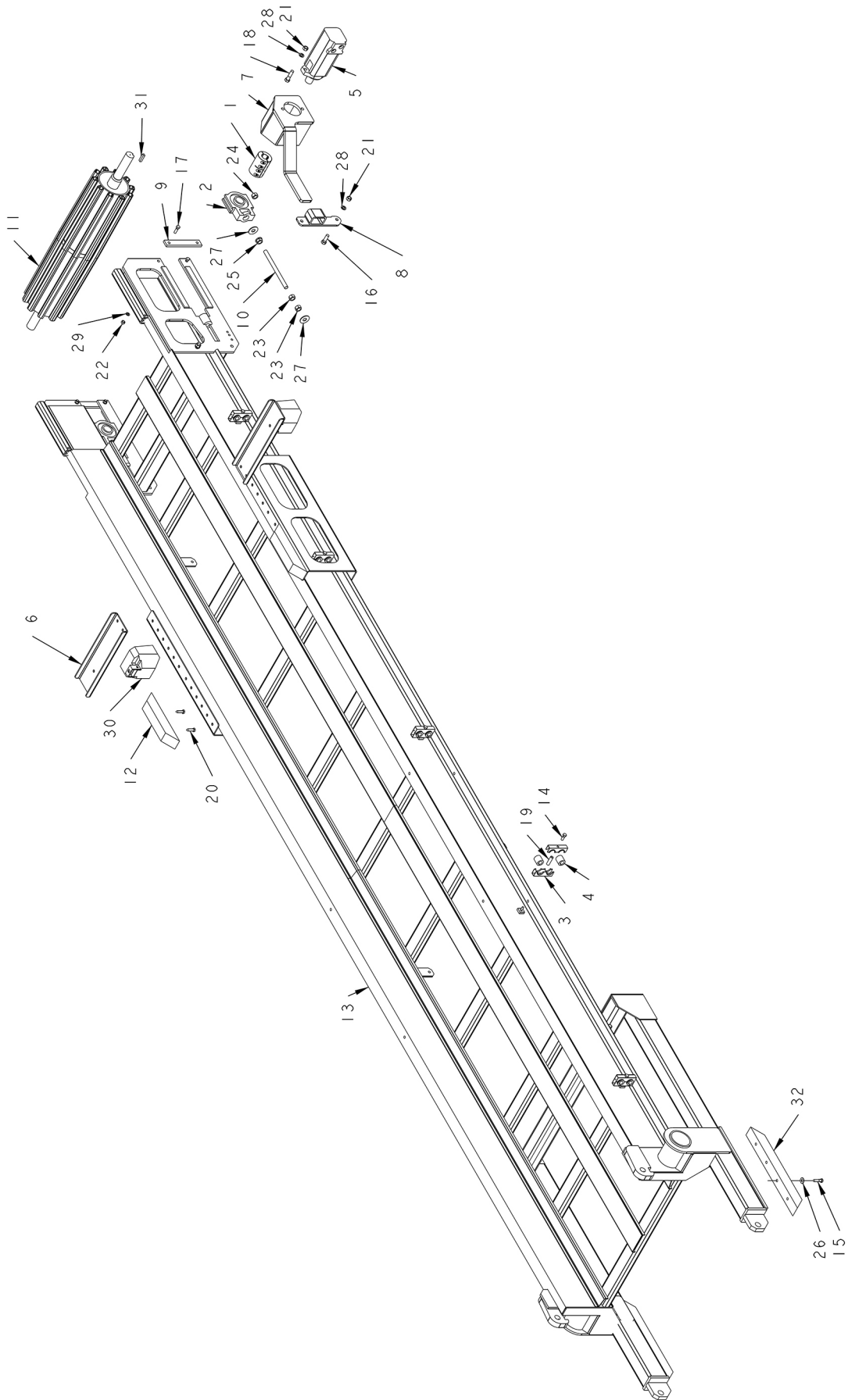
UPPER DISCHARGE CONVEYOR (S.N. 3020 THRU 3140)



UPPER DISCHARGE CONVEYOR (S.N. 3020 THRU 3140)

ITEM	PART	QTY.	PART DESCRIPTION
1	1000054	1	SPKT\60\B\18\1-1/4\5/16KW
2	1000081	1	SPKT\60\B\18\1-1/2\3/8KW
3	1100064	1	CHAIN\60DBL\CL
4	1100066	1	CHAIN\60DBL\17
5	2000320	2	BRG\TUU\1-1/2\W-ECC\BSEAL
6	3800552	10	CLAMP\HOSE\1-1/4\2HOLES
7	3800650	10	BUSH\RBBR\TUBE\3/4X1-1/4X1-1/4
8	3900010	1	MTR\HYD\24\2000\SAE;A
9	4702203	1	BRKT\MTR\DRV\CNVYR
10	4702204	2	STRAP\REINFRC\GUIDE\BRG\CNVYR
11	4702205	2	BOLT\ADJ\RLLR\DRV\CNVYR
12	4702206	2	GUARD\SPKT\CPLG\DRV\CNVYR
13	4703437	1	RLLR\DRV\42-1/2X8\CNVYR\DIS
14	4703429	1	FRM\CNVYR\DISCH\UPPER-THRU SN 3029
14A	4704074	1	FRM\CNVYR\DISCH\UPPER-SN 3030 AND UP
15	4704099	2	BMPR\CNVYR\DISCH
16	4800003	4	BOLT\HEX\3/8X1
17	4800013	5	BOLT\HEX\5/16X1
18	4800098	4	BOLT\HEX\3/8X1-1/4\NC
19	4800114	2	BOLT\HEX\1/2X2
20	4800580	2	BOLT\HEX\3/8X7
21	4800603	5	NUT\STACK\5/16X1-3/4\NC
22	4801198	4	SCR\LAG\3/8X1-1/2
23	4900001	2	NUT\HEX\1/2\NC
24	4900002	6	NUT\HEX\3/8\NC
25	4900005	4	NUT\HEX\5/8\NC
26	4900012	2	NUT\TPLCK\5/8\NC
27	4900082	4	NUT\INSERT\3/8\027X.150GR
28	4900110	2	NUT\FLG\SERR\5/8\NC
29	5000001	4	WASH\FLAT\3/8
30	5000002	4	WASH\FLAT\5/8
31	5000006	2	WASH\LOCK\1/2
32	5000019	10	WASH\LOCK\3/8
33	6200007	1	KEY\SQ\3/8X1-1/2

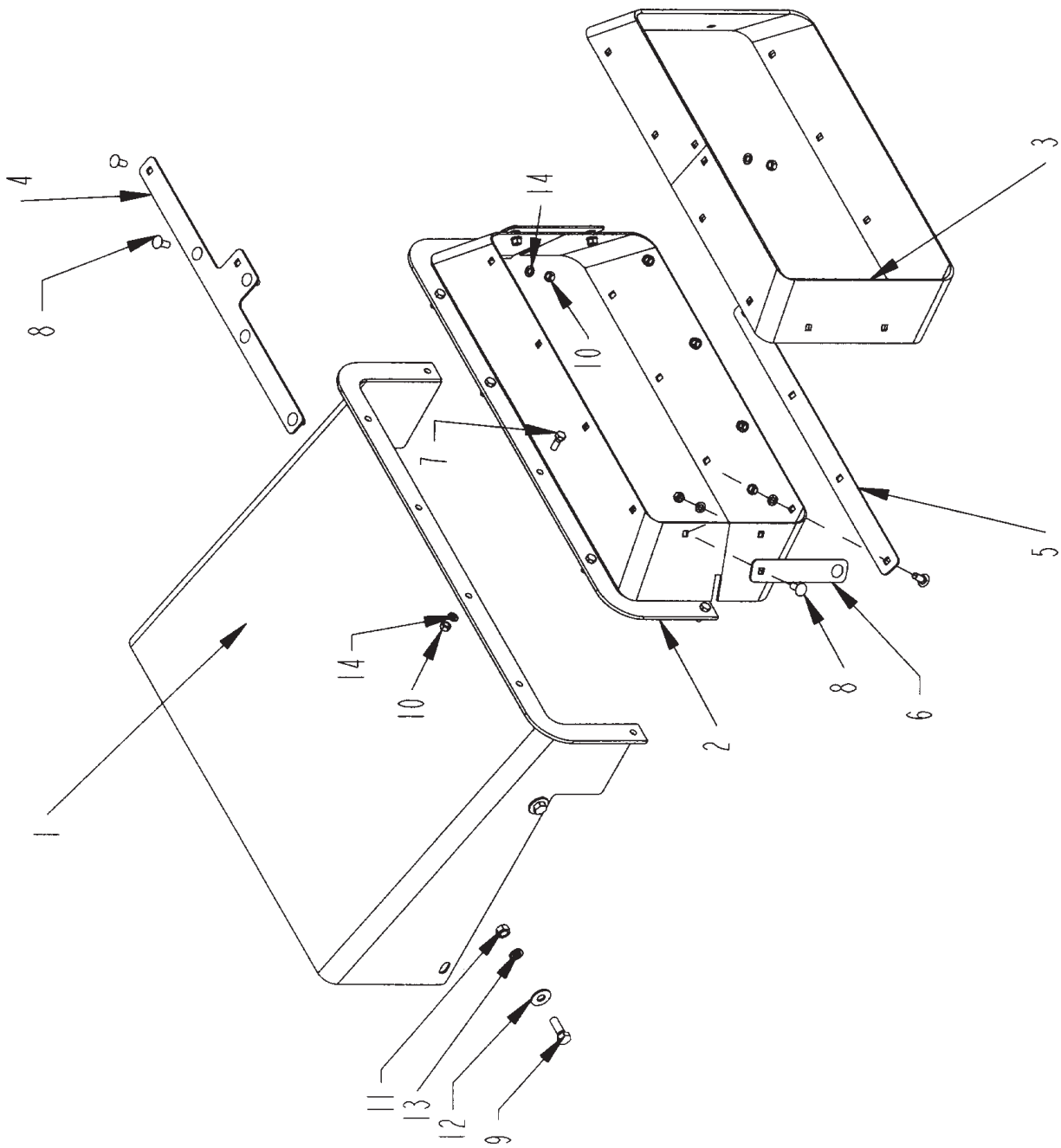
UPPER DISCHARGE CONVEYOR (S.N. 3141 & UP)



UPPER DISCHARGE CONVEYOR (S.N. 3141 & UP)

ITEM	PART	QTY.	PART DESCRIPTION
1	1400659	1	CPLR\RIGID\1.5X1.25
2	2000342	2	BRG\TUU\1-1/2\RTU
3	3800552	10	CLAMP\HOSE\1-1/4\2HOLES
4	3800650	10	BUSH\RBBR\TUBE\3/4X1-1/4X1-1/4
5	3900010	1	MTR\HYD\24\2000\SAE;A
6	4502095	2	BRKT\LIGHT
7	4502810	1	BRKT\ARM\TORQUE\MTR
8	4502811	1	BRKT\ARM\TORQUE
9	4702204	2	STRAP\REINF\GUIDE\BRG\CNVYR
10	4702205	2	BOLT\ADJ\RLLR\DR\CNVYR
11	4703437	1	RLLR\DR\42-1/2X8\CNVYR\DIS
12	4704099	2	BMPR\CNVYR\DISCH
13	4704954	1	FRM\CNVYR\DISCH\UPPER
14	4800003	5	BOLT\HEX\3/8X1
15	4800034	8	BOLT\HEX\3/8X1-1/2
16	4800082	2	BOLT\HEX\1/2X1-1/2
17	4800098	4	BOLT\HEX\3/8X1-1/4\NC
18	4800114	2	BOLT\HEX\1/2X2
19	4800603	5	NUT\STACK\5/16X1-3/4\NC
20	4801198	4	SCR\LAG\3/8X1-1/2
21	4900001	4	NUT\HEX\1/2\NC
22	4900002	4	NUT\HEX\3/8\NC
23	4900005	4	NUT\HEX\5/8\NC
24	4900012	2	NUT\TPLCK\5/8\NC
25	4900110	2	NUT\FLG\SERR\5/8\NC
26	5000001	8	WASH\FLAT\3/8
27	5000002	4	WASH\FLAT\5/8
28	5000006	4	WASH\LOCK\1/2
29	5000019	4	WASH\LOCK\3/8
30	5700880	2	LAMP\HALOGEN\5X5\24V
31	6200007	1	KEY\SQ\3/8X1-1/2
32	7101073	2	GUIDE\CNVYR\DISCH

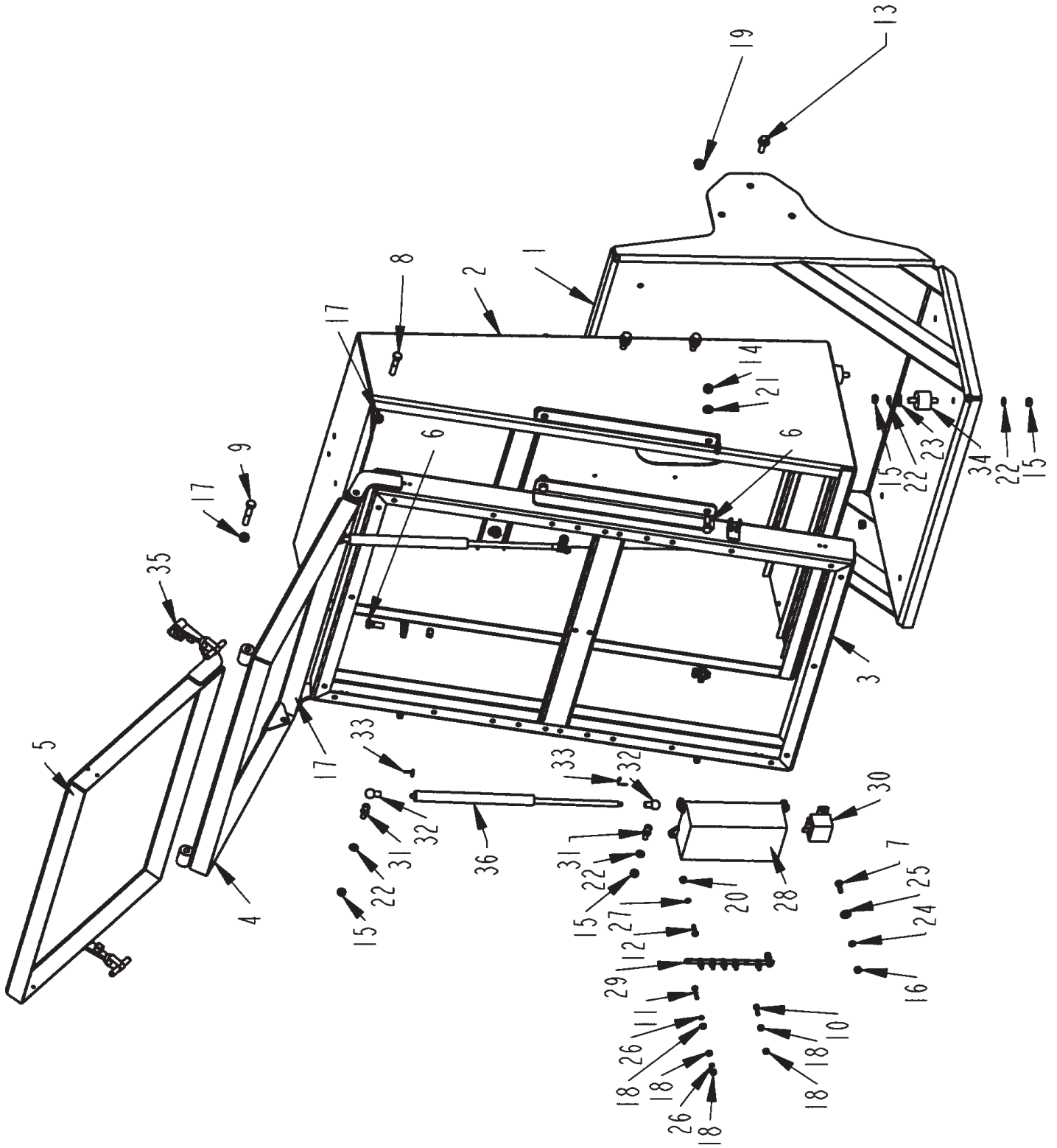
TRANSITION CHUTE (S.N. 3020 & UP)



TRANSITION CHUTE (S.N. 3020 & UP)

ITEM	PART	QTY.	PART DESCRIPTION
1	4704201	1	CVR\CNVYR\BELLY\
2	4704202	1	CHUTE\CNVYR\
3	4704203	1	BELT\CHUTE\CNVYR
4	4704204	1	BRKT\CHUTE\CNVYR\BELLY
5	4704205	1	BRKT\CHUTE\CNVYR\BELLY
6	4704206	2	BRKT\CHUTE\CNVYR\BELLY
7	4800003	6	BOLT\HEX\3/8X1
8	4800053	14	BOLT\CRG\3/8X1\NC
9	4800082	4	BOLT\HEX\1/2X1-1/2
10	4900002	20	NUT\HEX\3/8\NC
11	4900019	4	NUT\HEX\1/2\GR8\NC
12	5000004	4	WASH\FLAT\1/2
13	5000006	4	WASH\LOCK\1/2
14	5000019	20	WASH\LOCK\3/8

CONTROL PANEL FRAME ASSEMBLY



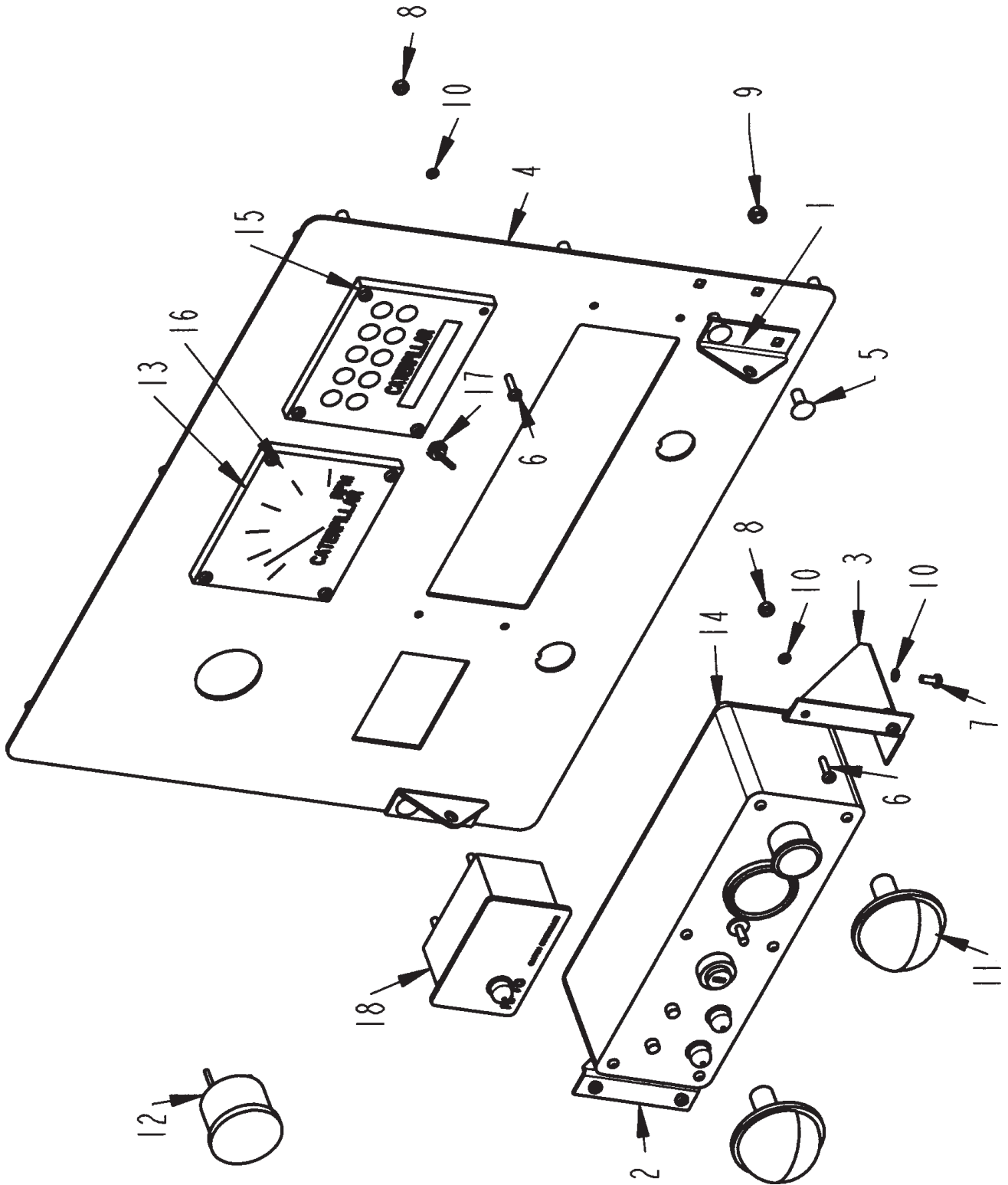
CONTROL PANEL FRAME ASSEMBLY

ITEM	PART	QTY.	PART DESCRIPTION
1	4501537	1	BRKT\PNL\CNTRL
2	4501708	1	PNL\CNTRL\3010
3	4501709	1	PNL\CNTRL\DOOR
4	4501710	1	PNL\CNTRL\DOOR\TOP
5	4501711	1	PNL\CNTRL\DOOR\BTM
6	4800003	4	BOLT\HEX\3/8X1
7	4800024	2	BOLT\HEX\1/4X3/4
8	4800142	2	BOLT\HEX\3/8X1-3/4
9	4800146	2	BOLT\HEX\3/8X2
10	4800220	6	SCR\RD\SLOT\#10-24X3/4\NC
11	4800587	2	SCR\RD\SLOT\#10-24X1
12	4800594	4	SCR\PAN\SLOT\#12X3/4\NC
13	4800913	6	BOLT\FLG\SERR\3/8X1\NC
14	4900002	2	NUT\HEX\3/8\NC
15	4900003	14	NUT\HEX\5/16\NC
16	4900009	2	NUT\HEX\1/4\NC
17	4900023	6	NUT\TPLCK\3/8\NC
18	4900072	18	NUT\HEX\#10\NC
19	4900109	6	NUT\FLG\TPLCK\3/8\NC
20	4900159	4	NUT\HEX\#12\NC
21	5000019	2	WASH\LOCK\3/8
22	5000022	14	WASH\LOCK\5/16
23	5000023	6	WASH\FLAT\5/16
24	5000024	2	WASH\LOCK\1/4
25	5000035	2	WASH\FLAT\1/4
26	5000071	4	WASH\LOCK;EXT\STAR\#10
27	5000127	4	WASH\LOCK\EXTSTAR\#12
28	5700289	1	ENCL\BRKR\CRCT\7-POLE
29	5700290	1	TERM\BAR\BUS\8-POLE
30	5700504	1	RELAY\POWR\24V\SPST\W/DIO
31	7500664	4	BALL STUD\SHOCK\FITTING\M6
32	7500665	4	END FITTING\GAS SPRING \m6
33	7500666	4	SAFETY CLIP
34	7501072	6	CUSH\RBBR\1.38ODX1\5/16NC\80#>
35	7500606	2	LATCH\RBBR\6
36	7500663	2	SPRNG\GAS\90LB\9416K224

Not Shown

5700594 LIGHT\STROBE\BLUE\12-80VDC

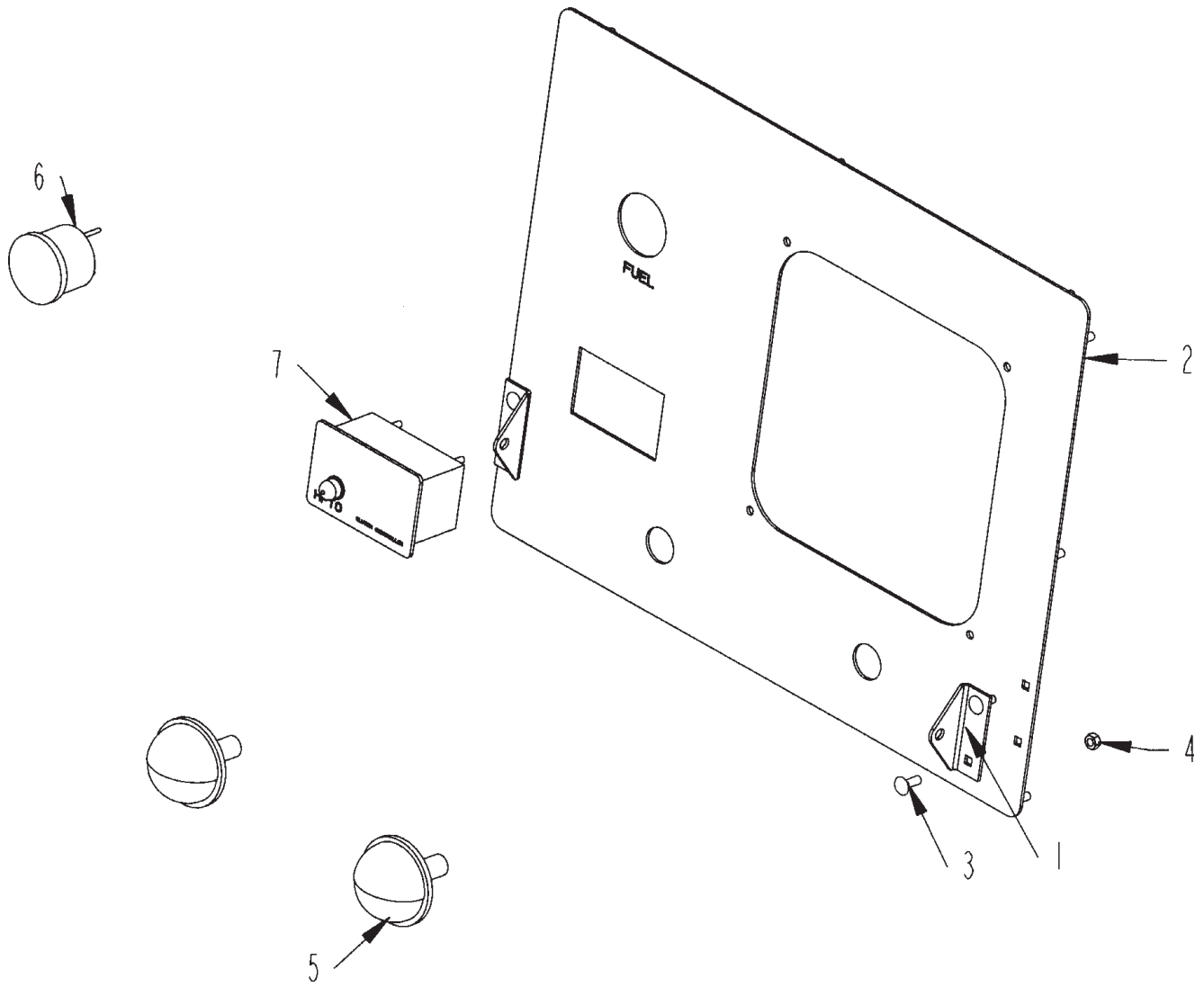
TOP CONTROL PANEL ASSEMBLY (TIER II)



TOP CONTROL PANEL ASSEMBLY (TIER II)

ITEM	PART	QTY.	PART DESCRIPTION
1	4501714	2	BRKT\SPRING\GAS
2	4702868	1	BRKT\PANEL\CNTRL\MNT
3	4702869	1	BRKT\PANEL\CNTRL\MNT
4	4703464	1	PNL\CNTRL\ENG\3010
5	4800291	14	BOLT\CRG\1/4X3/4\NC
6	4800282	12	SCR\PAN\SLOT\#10X3/4\NC
7	4800574	4	SCR\RD\SLOT\#10-24X1/2
8	4900072	12	NUT\HEX\#10\NC
9	4900084	1	NUT\TPLCK\1/4\NC
10	5000104	16	WASH\LOCK\#10
11	5700530	2	LAMP\PNL\CNTRL\12V
12	7500706	1	GAUGE\FUEL\ELEC\24V
	7500668		GAUGE\FUEL\ELEC\12V
	7500670		GAUGE\VOLTAGE\ADPT\24-12V
13	5700611		BEZEL\CAT\GAUGE\ELEC.
14	5700889		PANEL\KEY;SWITCH\CAT\TIER 1
15	5700888		GAUGE\EMS\CAT
16	5700612		GAUGE\TACH\CAT153-8061
17	5700831	1	SWITCH\TOG\MOM\CAT;PANEL
18	5700609		CONTR\CLUTCH\HPTO

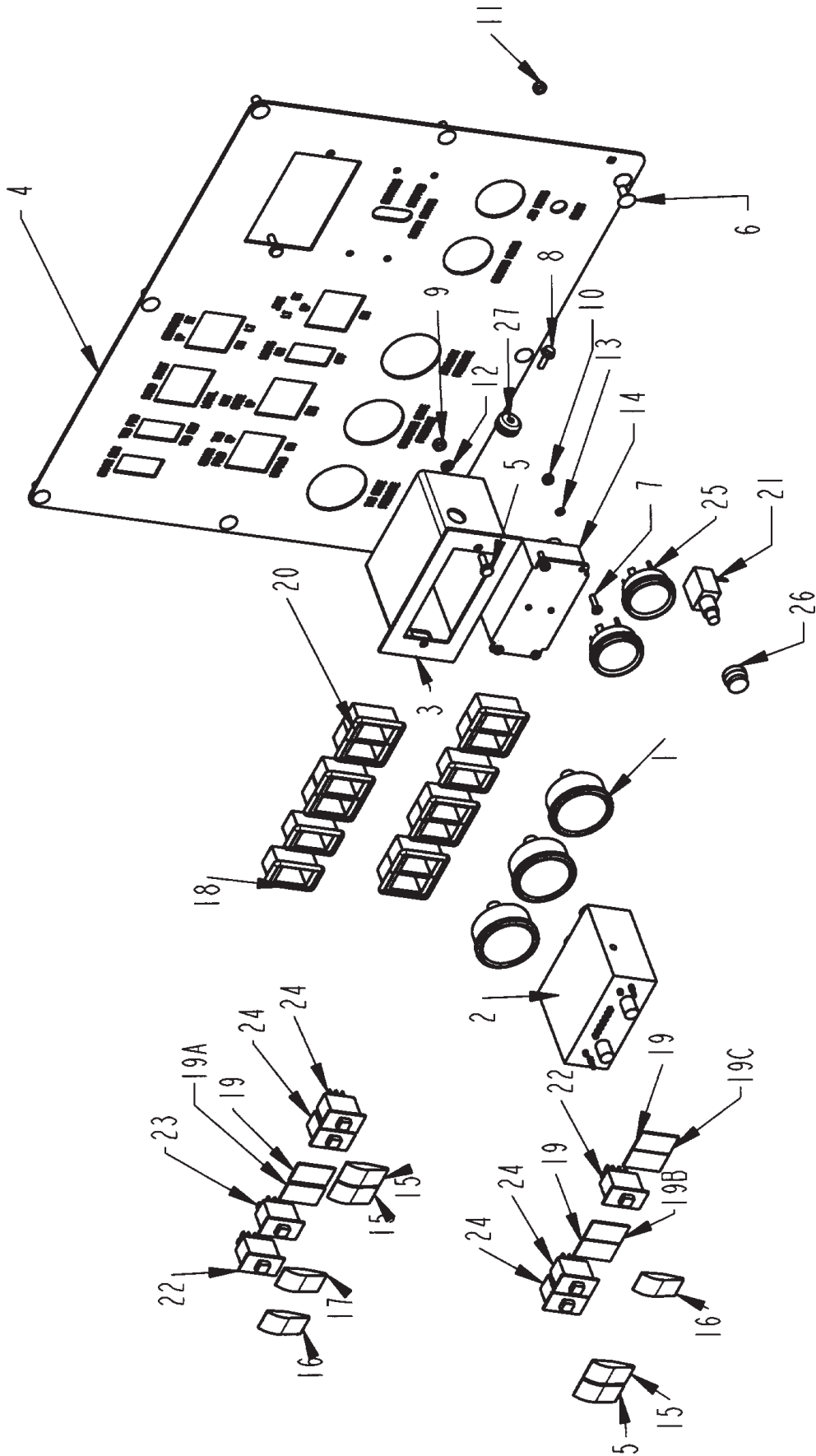
TOP CONTROL PANEL ASSEMBLY (TIER III)



TOP CONTROL PANEL ASSEMBLY (TIER III)

ITEM	PART	QTY.	PART DESCRIPTION
1	4501714	2	BRKT\SPRING\GAS
2	4704655	1	PNL\CNTRL\ENG
3	4800291	14	BOLT\CRG\1/4X3/4\NC
4	4900084	1	NUT\TPLCK\1/4\NC
5	5700530	2	LAMP\PNL\CNTRL\12V
6	7500706	1	GAUGE\FUEL\ELEC\24V
	7500668		GAUGE\FUEL\ELEC\12V
	7500670		GAUGE\VOLTAGE\ADPT\24-12V
7	5700609	1	CNTRLLR\CLUTCH\HPTO14

BOTTOM CONTROL PANEL ASSEMBLY (TIER II)



BOTTOM CONTROL PANEL ASSEMBLY (TIER II)

ITEM	PART	QTY.	PART DESCRIPTION
1	3800381	3	GAUGE\3000PSI\REAR STEM
2	4300034	1	CONTROL BOX
3	4501543	1	BRKT\GOV\1150
4	4703967	1	PNL\CNTRL\MACHINE\3010
5	4800024	2	BOLT\HEX\1/4X3/4
6	4800153	10	BOLT\CRG\5/16X3/4\NC
7	4800282	4	SCR\PAN\SLOT\#10X3/4\NC
8	4800301	2	SCR\FLNG\SERR\1/4X3/4
9	4900009	2	NUT\HEX\1/4\NC
10	4900072	4	NUT\HEX\#10\NC
11	4900084	10	NUT\TPLCK\1/4\NC
12	5000024	2	WASH\LOCK\1/4
13	5000104	4	WASH\LOCK\#10
14	5700230	1	BOX\CNTRL\SAFETY SHUTDOWN
15	5700324	4	SWITCH\RCKR\ACTR\BLK
16	5700325	2	SWITCH\RCKR\ACTR\BLK\RED\LIGHT
17	5700326	1	SWITCH\RCKR\ACTR\BLK\2RED\LIGHTS
18	5700328	3	SWITCH\RCKR\MNT\PNL\SNGL
19	5700329	6	SWITCH\RCKR\PLUG
20	5700333	10	SWITCH\RCKR\MNT\PNL\MTPL
21	5700403	1	SWITCH\BUTTON\PUSH
22	5700430	2	SWITCH\RCKR\DPST\24V\1LT
23	5700431	1	SWITCH\RCKR\DPDT\24V\2LT
24	5700432	4	SWITCH\RCKR\DPDT\24V\UNLIT\MOM\15A
25	5700506	2	GAUGE\HOUR\RESET
26	5700510	1	BOOT\DUST\PUSBUTTON
27	7500124	2	GRMT\RBBR\1X9/32IDX3/16T

RADIO REMOTE OPTION

19A	5700431	1	SWITCH\RCKR\DPDT\24V\2LT
	5700326	1	SWITCH\RCKR\ACTR\BLK\2RED\LIGHTS
	5700432	1	SWITCH\RCKR\DPDT\24V\UNLIT\MOM\15A
	5700324	1	SWITCH\RCKR\ACTR\BLK

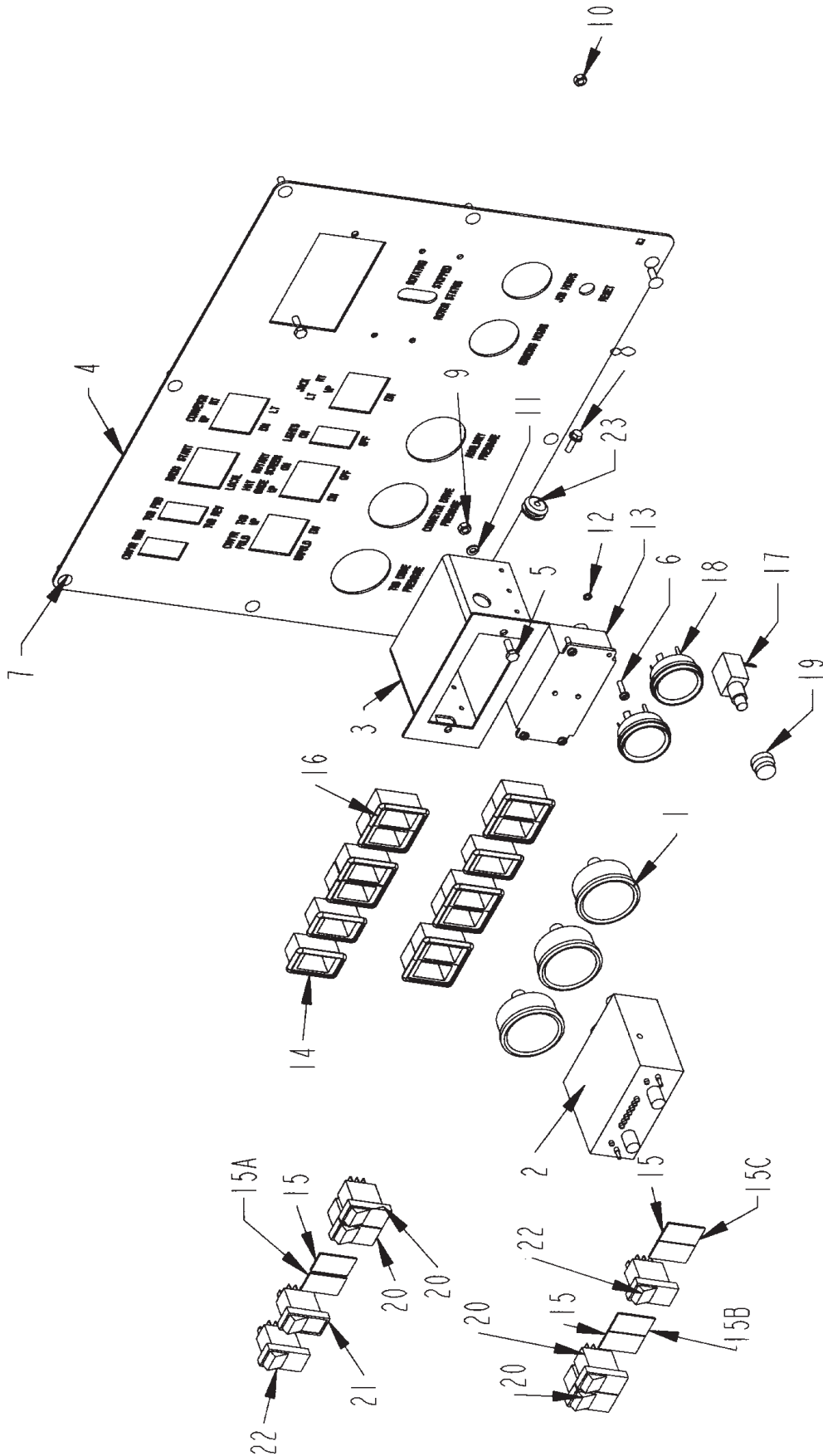
TUB COVER OPTION

19B	5700432	2	SWITCH\RCKR\DPDT\24V\UNLIT\MOM\15A
	5700324	2	SWITCH\RCKR\ACTR\BLK

JACK OPTION

19C	5700432	2	SWITCH\RCKR\DPDT\24V\UNLIT\MOM\15A
	5700324	2	SWITCH\RCKR\ACTR\BLK

BOTTOM CONTROL PANEL ASSEMBLY (TIER III)



BOTTOM CONTROL PANEL ASSEMBLY (TIER III)

ITEM	PART	QTY.	PART DESCRIPTION
1	3800381	3	GAUGE\3000PSI\REAR STEM
2	4300034	1	CONTROL BOX
3	4501543	1	BRKT\GOV\1150
4	4501713	1	PNL\CNTRL\MACHINE\1150
5	4800024	2	BOLT\HEX\1/4X3/4
6	4800282	4	SCR\PAN\SLOT\#10X3/4\NC
7	4800291	10	BOLT\CRG\1/4X3/4\NC
8	4800301	2	SCR\FLNG\SERR\1/4X3/4
9	4900009	2	NUT\HEX\1/4\NC
10	4900084	10	NUT\TPLCK\1/4\NC
11	5000024	2	WASH\LOCK\1/4
12	5000104	4	WASH\LOCK\#10
13	5700230	1	BOX\CNTRL\SAFETY SHUTDOWN
14	5700328	3	SWITCH\RCKR\MNT\PNL\SNGL
15	5700329	6	SWITCH\RCKR\PLUG
16	5700333	10	SWITCH\RCKR\MNT\PNL\MTPL
17	5700403	1	SWITCH\BUTTON\PUSH
18	5700506	2	GAUGE\HOUR\RESET
19	5700510	1	BOOT\DUST\PUSBUTTON
20	5700542	4	SWITCH\RCKR\DPDT\24V\UNLIT\15A\MOMNTRYW\RAISED BRCKT
21	5700543	1	SWITCH\RCKR\DPDT\24V\2LIT\15A\LATCHW\RAISED BRACKET
22	5700544	2	SWITCH\RCKR\DPDT\24V\1LIT\15A\LATCH&MOMW\RAISED BRCKT
23	7500124	2	GRMT\RBBR\1X9/32IDX3/16T

RADIO REMOTE OPTION

15A	5700545	1	SWITCH\RCKR\DPST\24V\2LIT\15A\LATCHW\RAISED BRACKET
	5700542	1	SWITCH\RCKR\DPDT\24V\UNLIT\15A\MOMNTRYW\RAISED BRCKT

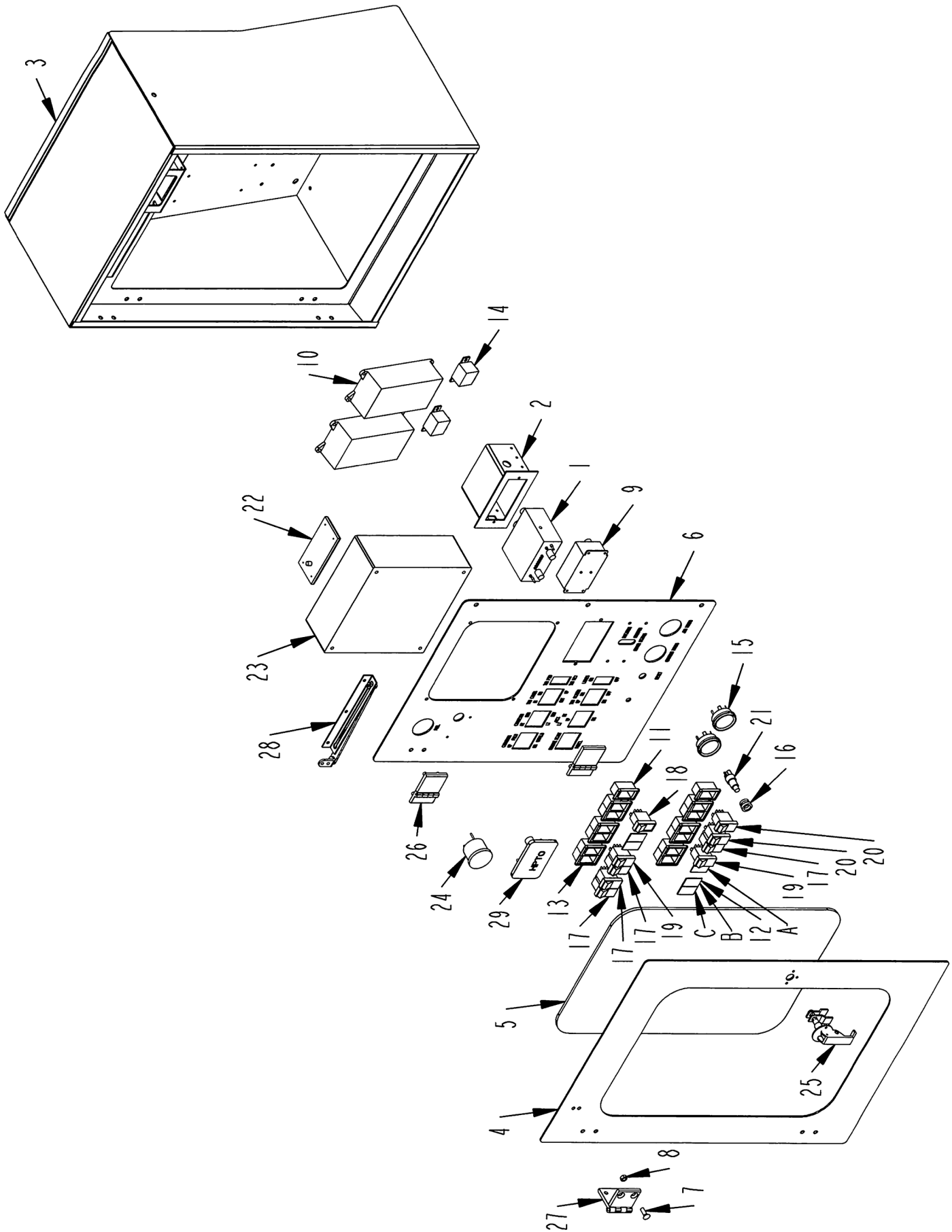
TUB COVER OPTION

15B	5700542	2	SWITCH\RCKR\DPDT\24V\UNLIT\15A\MOMNTRYW\RAISED BRCKT
-----	---------	---	--

JACK OPTION

15C	5700542	2	SWITCH\RCKR\DPDT\24V\UNLIT\15A\MOMNTRYW\RAISED BRCKT
-----	---------	---	--

CONTROL PANEL ASSEMBLY (S.N. 3131 & UP)



CONTROL PANEL ASSEMBLY (S.N. 3131 & UP)

ITEM	PART	QTY.	PART DESCRIPTION
1	4300034	1	CONTROL BOX
2	4501543	1	BRKT\GOV\1150
3	4502757	1	FRM\PANEL\CNTRL
4	4502759	1	DOOR\PANEL\CNTRL
5	4502760	1	WNDW\PANEL\CNTRL
6	4502777	1	PNL\CNTRL\MACHINE\3010
7	4800166	8	SCR\CSK\ALN\5/16X1\NC
8	4900142	8	NUT\TPLCK\5/16\NC
9	5700230	1	BOX\CNTRL\SAFETY SHUTDOWN
10	5700289	2	ENCL\BRKR\CRCT\7-POLE
11	5700328	2	SWITCH\RCKR\MNT\PNL\SNGL
12	5700329	5	SWITCH\RCKR\PLUG
13	5700333	12	SWITCH\RCKR\MNT\PNL\MTPL
14	5700504	2	RELAY\POWR\24V\SPST\W/DIO
15	5700506	2	GAUGE\HOUR\RESET
16	5700510	1	BOOT\DUST\PUSBUTTON
17	5700542	4	SWITCH\RCKR\DPDT\24V\UNLIT\15A\MOMNTRYW\RASED BRCKT
18	5700543	1	SWITCH\RCKR\DPDT\24V\2LIT\15A\LATCH\W\RAISED BRACKET
19	5700544	2	SWITCH\RCKR\DPDT\24V\1LIT\15A\LATCH&MOMW\RASED BRCKT
20	5700545	2	SWITCH\RCKR\DPST\24V\2LIT\15A\LATCH\W\RAISED BRACKET
21	5700652	1	SWITCH\BUTTON\PUSH
22	5700747	1	LIGHT\WHT\10-30V\LED
23	5700903	1	PANEL\KEY;SWITCH\CAT\TIER 3
24	7500706	1	GAUGE\FUEL\24V
25	7500907	1	LATCH\COMP\HD
26	7500918	2	HINGE\BOLT-ON\BLACK
26a	4900169	2	NUT\HEX\M8\METRIC\1.25
27	7501392	2	HINGE\BOLT-ON\270DEG\4-BLT\BLK
28	7501393	1	STOPWIND\DR\PNL
29	5700916	1	CNTRLLR\UNIT\DISPLAY\ADV3

LOADER OPTION

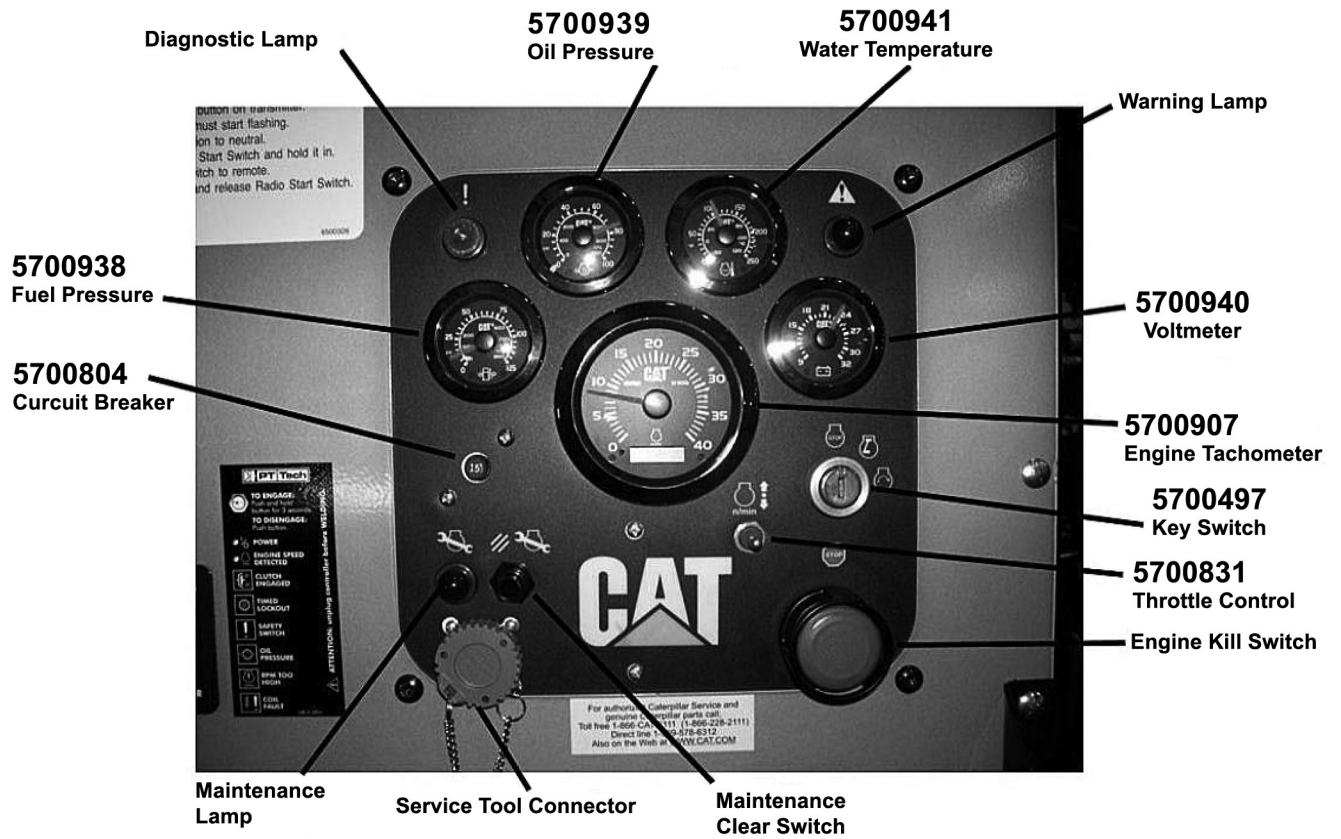
A	5700545	1	SWITCH\RCKR\DPST\24V\2LIT\15A\LATCH\W\RAISED BRACKET
---	---------	---	--

RADIO REMOTE OPTION

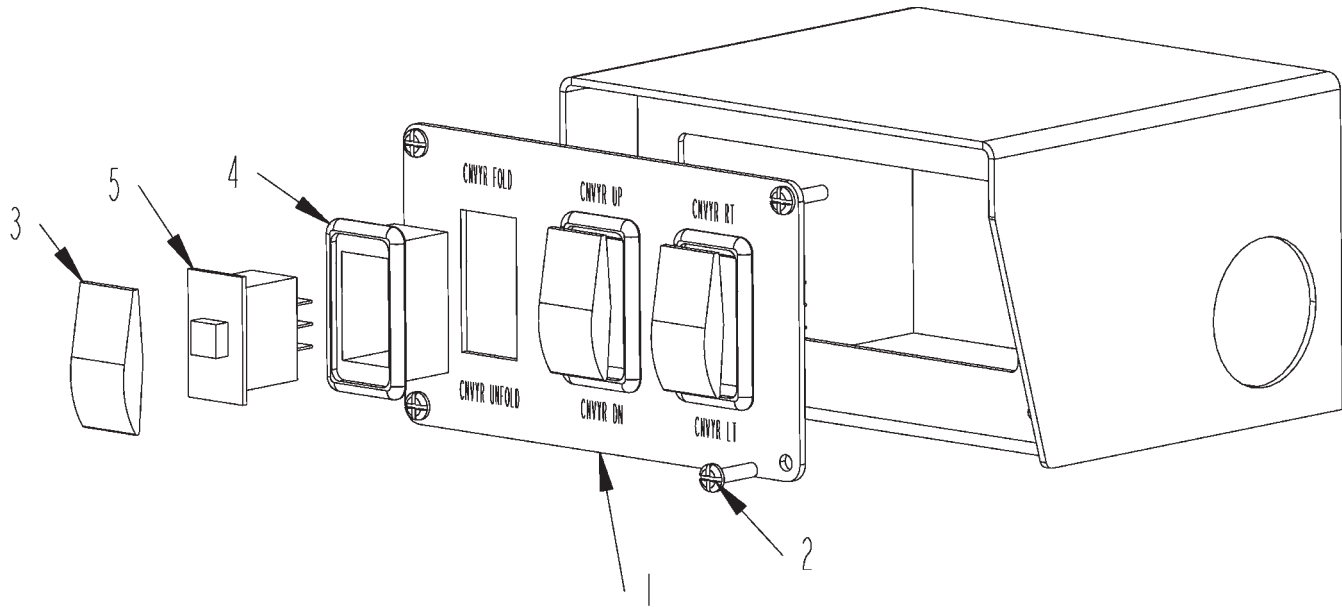
B	5700542	1	SWITCH\RCKR\DPDT\24V\UNLIT\15A\MOMNTRYW\RASED BRCKT
C	5700545	1	SWITCH\RCKR\DPST\24V\2LIT\15A\LATCH\W\RAISED BRACKET



CAT TIER III KEY SWITCH PANEL



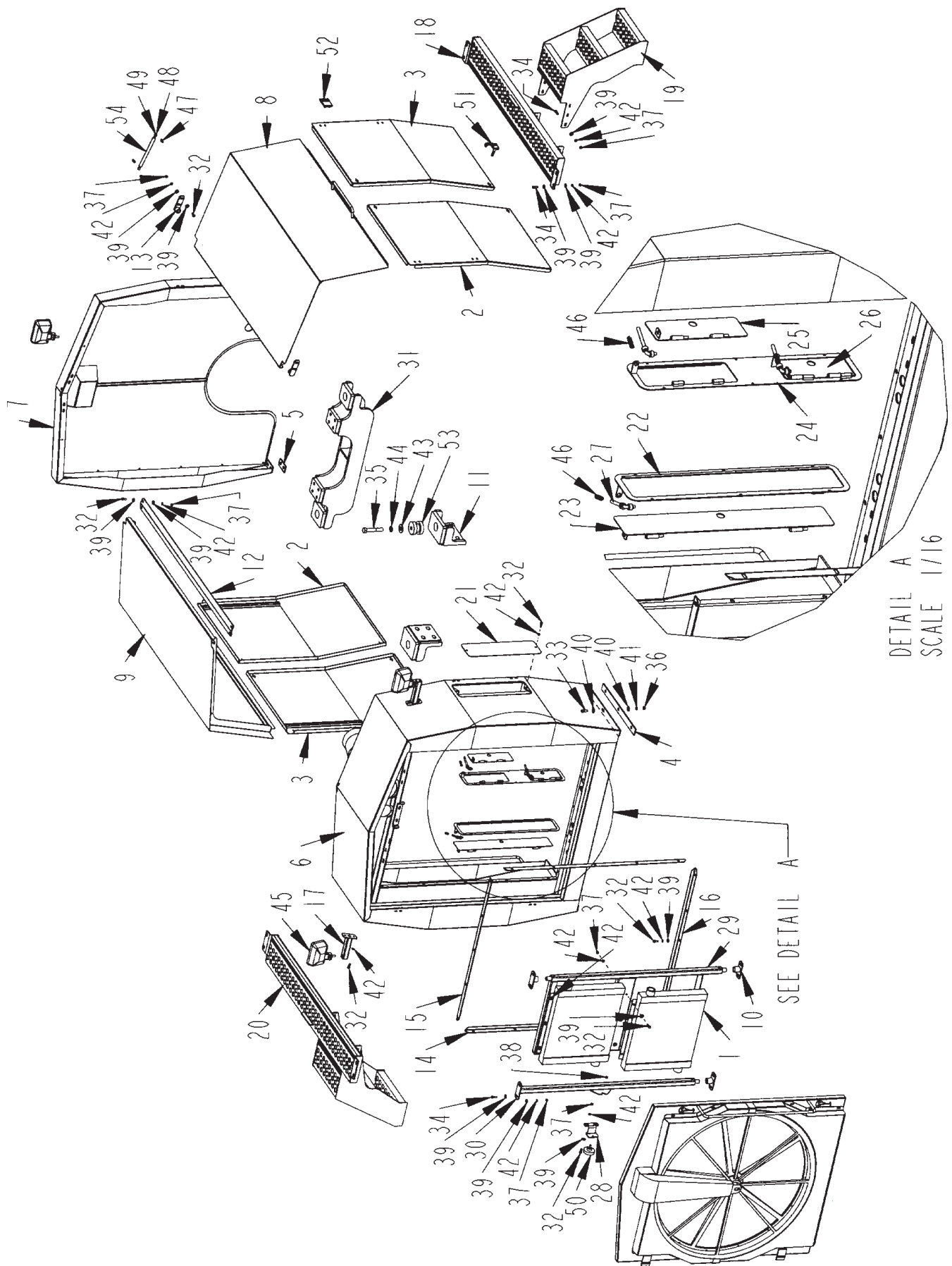
REAR AUXILIARY CONTROL PANEL



REAR AUXILIARY CONTROL PANEL

ITEM	PART	QTY.	PART DESCRIPTION
1	4501734	1	SHEET\ PANEL\ CONTROL\ AUX\ REAR
2	4800498	4	SCR\ PAN\ PHL\ #10X3/4\ NF
3	5700324	3	SWITCH\ RCKR\ ACTR\ BLK
4	5700328	3	SWITCH\ RCKR\ MNT\ PNL\ SNGL
5	5700432	3	SWITCH\ RCKR\ DPDT\ 24V UNLIT\ MOM\ 15A

ENGINE SHROUD ASSEMBLY (S.N. 3000 TO 3009)



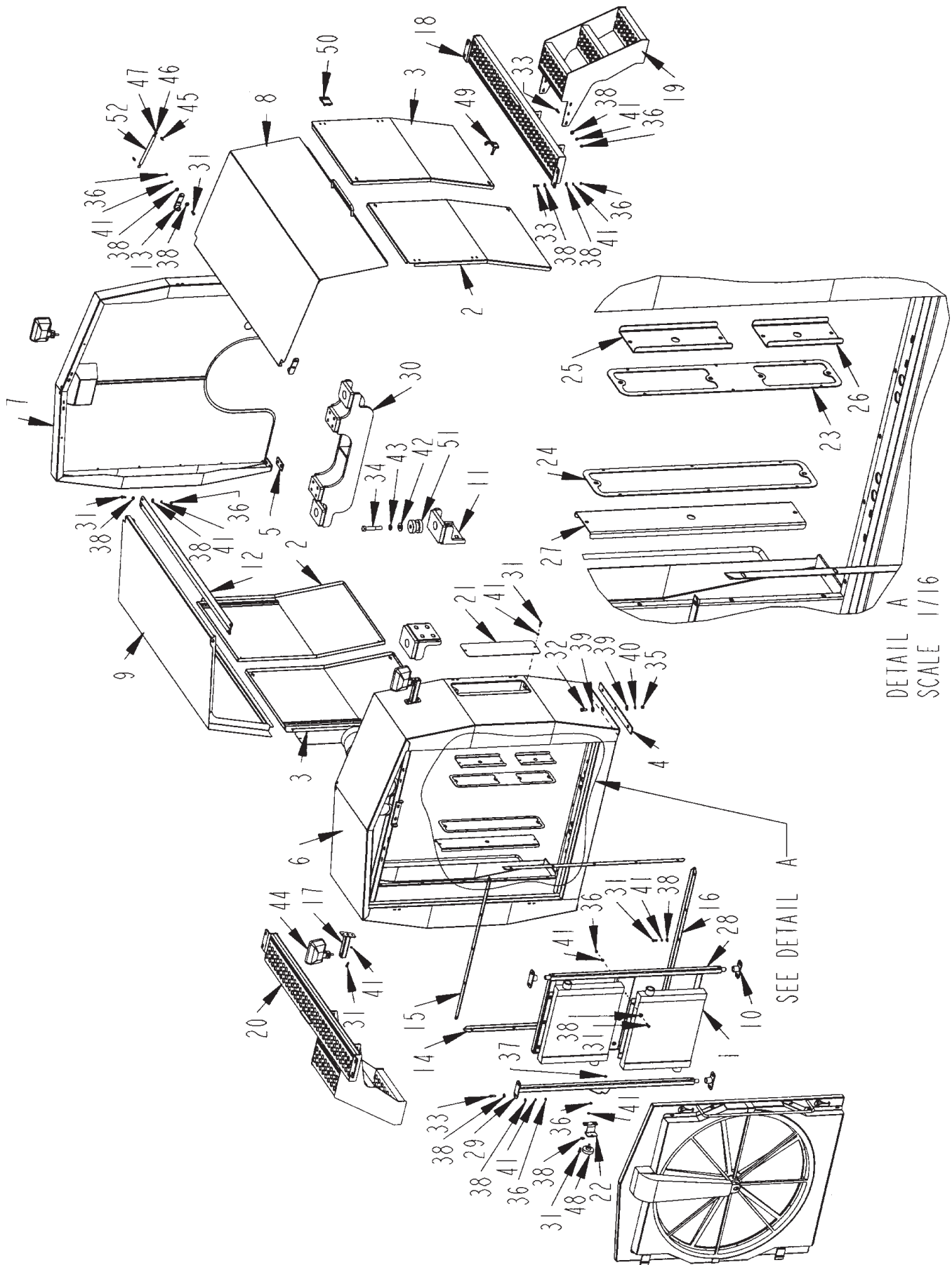
DETAIL A
SCALE 1/16

SEE DETAIL A

ENGINE SHROUD ASSEMBLY (S.N. 3000 TO 3009)

ITEM	PART	QTY.	PART DESCRIPTION
1	4000219	2	RAD\HYD\23X19\1-1/16"-1
2	4501393	2	DOOR\ACCESS\ENGLH
3	4501394	2	DOOR\ACCESS\ENGRH
4	4501397	2	BELT\CUSHION\SHROUD
5	4501398	2	BELT\CUSHION\SHROUD
6	4501484	1	SHROUD\RAD
7	4501485	1	SHROUD\ENG\REAR
8	4501486	1	COVER\ENG\LH
9	4501487	1	COVER\ENG\RH
10	4501492	3	BRKT\COOLER\OIL
11	4501495	2	MNT\ENGINE\FRONT\CAT3406
12	4501496	1	CVR\RIDGE\SHROUD\ENG
13	4501497	4	BRKT\PIVOT\DOOR
14	4501498	2	SEAL\RAD\SIDE
15	4501553	1	SEAL\RAD\TOP
16	4501554	1	SEAL\RAD\BOTTOM
17	4501555	2	BRKT\LT\FR
18	4501560	1	DECK\SEVR\ENG
19	4501561	2	STEP\SERV\ENGINE
20	4501562	1	DECK\SEVR\ENG
21	4501563	2	DOOR\ACCESS\RAD
22	4501572	1	FRM\DOOR\RAD
23	4501573	1	DOOR\ACCESS\RAD\RH
24	4501574	1	FRM\DOOR\RAD\LH
25	4501575	1	DOOR\ACCESS\RAD\TOP\LH
26	4501576	1	DOOR\ACCESS\RAD\BOTTOM\LH
27	4501579	3	ROD\DOOR\RAD
28	4501580	1	BRKT\CLAMP\FRM\COOLER\OIL
29	4703117	1	FRM\PIVOT\COOLER\OIL
30	4703730	1	BRLT\COOLER\OIL
31	4703731	1	MNT\ENGINE\REAR
32	4800003	65	BOLT\HEX\3/8X1
33	4800018	10	BOLT\HEX\1/2X1-1/4
34	4800098	30	BOLT\HEX\3/8X1-1/4\NC
35	4800925	4	BOLT\HEX\7/8X5
36	4900001	10	NUT\HEX\1/2\NC
37	4900002	57	NUT\HEX\3/8\NC
38	4900023	1	NUT\TPLCK\3/8\NC
39	5000001	120	WASH\FLAT\3/8
40	5000004	20	WASH\FLAT\1/2
41	5000006	10	WASH\LOCK\1/2
42	5000019	95	WASH\LOCK\3/8
43	5000098	4	WASH\FLAT\7/8
44	5000106	4	WASH\LOCK\7/8
45	5700317	3	LAMP\HALOGEN\4X6\24V
46	6100064	3	SCRAPERSPRING
47	7500664	8	BALL STUD\SHOCK\FITTING
48	7500665	8	END FITTING\GAS SPRING
49	7500666	8	SAFETY CLIP
50	7500891	1	KNOB\CLAMP\3/8NCx1"STUD
51	7500907	10	LATCH\COMP\HD\1.18-2.36
52	7500918	10	HINGE\BOLT-ON\BLACK
53	7501063	4	CUSH\RBBR\3-1/2ODX2-7/8\0.94 BOLT HOLE
54	7500663	4	SPRNG\GAS\90LB\9416K174

ENGINE SHROUD ASSEMBLY (S.N. 3010 TO 3019)



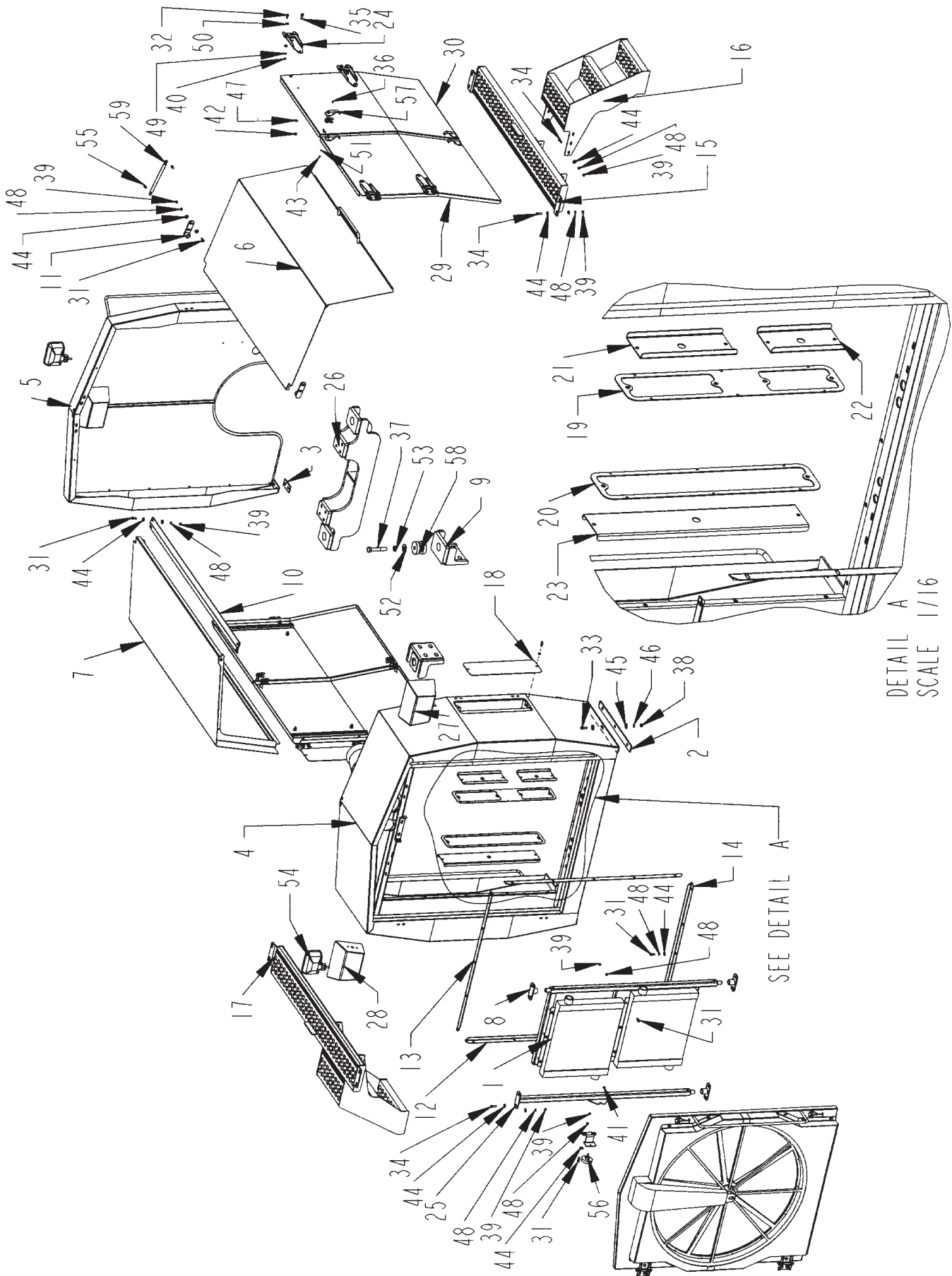
DETAIL A
SCALE 1/16

SEE DETAIL A

ENGINE SHROUD ASSEMBLY (S.N. 3010 TO 3019)

ITEM	PART	QTY.	PART DESCRIPTION
1	4000219	2	RAD\HYD\23X19\1-1/16"-1
2	4501393	2	DOOR\ACCESS\ENG\LH
3	4501394	2	DOOR\ACCESS\ENG\RH
4	4501397	2	BELT\CUSHION\SHROUD
5	4501398	2	BELT\CUSHION\SHROUD
6	4501484	1	SHROUD\RAD
7	4501485	1	SHROUD\ENG\REAR
8	4501486	1	COVER\ENG\LH
9	4501487	1	COVER\ENG\RH
10	4501492	3	BRKT\COOLER\OIL
11	4501495	2	MNT\ENGINE\FRONT\CAT3406
12	4501496	1	CVR\RIDGE\SHROUD\ENG
13	4501497	4	BRKT\PIVOT\DOOR
14	4501498	2	SEAL\RAD\SIDE
15	4501553	1	SEAL\RAD\TOP
16	4501554	1	SEAL\RAD\BOTTOM
17	4501555	2	BRKT\LT\FR
18	4501560	1	DECK\SEVR\ENG
19	4501561	2	STEP\SERV\ENGINE
20	4501562	1	DECK\SEVR\ENG
21	4501563	2	DOOR\ACCESS\RAD
22	4501580	1	BRKT\CLAMP\FRM\COOLER\OIL
23	4501596	1	FRM\DOOR\RAD\LH
24	4501597	1	FRM\DOOR\RAD\RH
25	4501598	1	DOOR\RAD\TOP\LH
26	4501599	1	DOOR\RAD\BOTTOM\LH
27	4501800	1	DOOR\RAD\BOTTOM\RH
28	4703117	1	FRM\PIVOT\COOLER\OIL
29	4703730	1	BRLT\COOLER\OIL
30	4703731	1	MNT\ENGINE\REAR
31	4800003	71	BOLT\HEX\3/8X1
32	4800018	10	BOLT\HEX\1/2X1-1/4
33	4800098	30	BOLT\HEX\3/8X1-1/4\NC
34	4800925	4	BOLT\HEX\7/8X5
35	4900001	10	NUT\HEX\1/2\NC
36	4900002	57	NUT\HEX\3/8\NC
37	4900023	1	NUT\TPLCK\3/8\NC
38	5000001	120	WASH\FLAT\3/8
39	5000004	20	WASH\FLAT\1/2
40	5000006	10	WASH\LOCK\1/2
41	5000019	101	WASH\LOCK\3/8
42	5000098	4	WASH\FLAT\7/8
43	5000106	4	WASH\LOCK\7/8
44	5700317	3	LAMP\HALOGEN\4X6\24V
45	7500664	8	BALL STUD\SHOCK\FITTING
46	7500665	8	END FITTING\GAS SPRING
47	7500666	8	SAFETY CLIP
48	7500891	1	KNOB\CLAMP\3/8NCx1"STUD
49	7500907	10	LATCH\COMP\HD\1.18-2.36
50	7500918	10	HINGE\BOLT-ON\BLACK
51	7501063	4	CUSH\RBBR\3-1/2ODX2-7/8\0.94 BOLT
52	7500663	4	HOLE SPRNG\GAS\90LB\9416K174

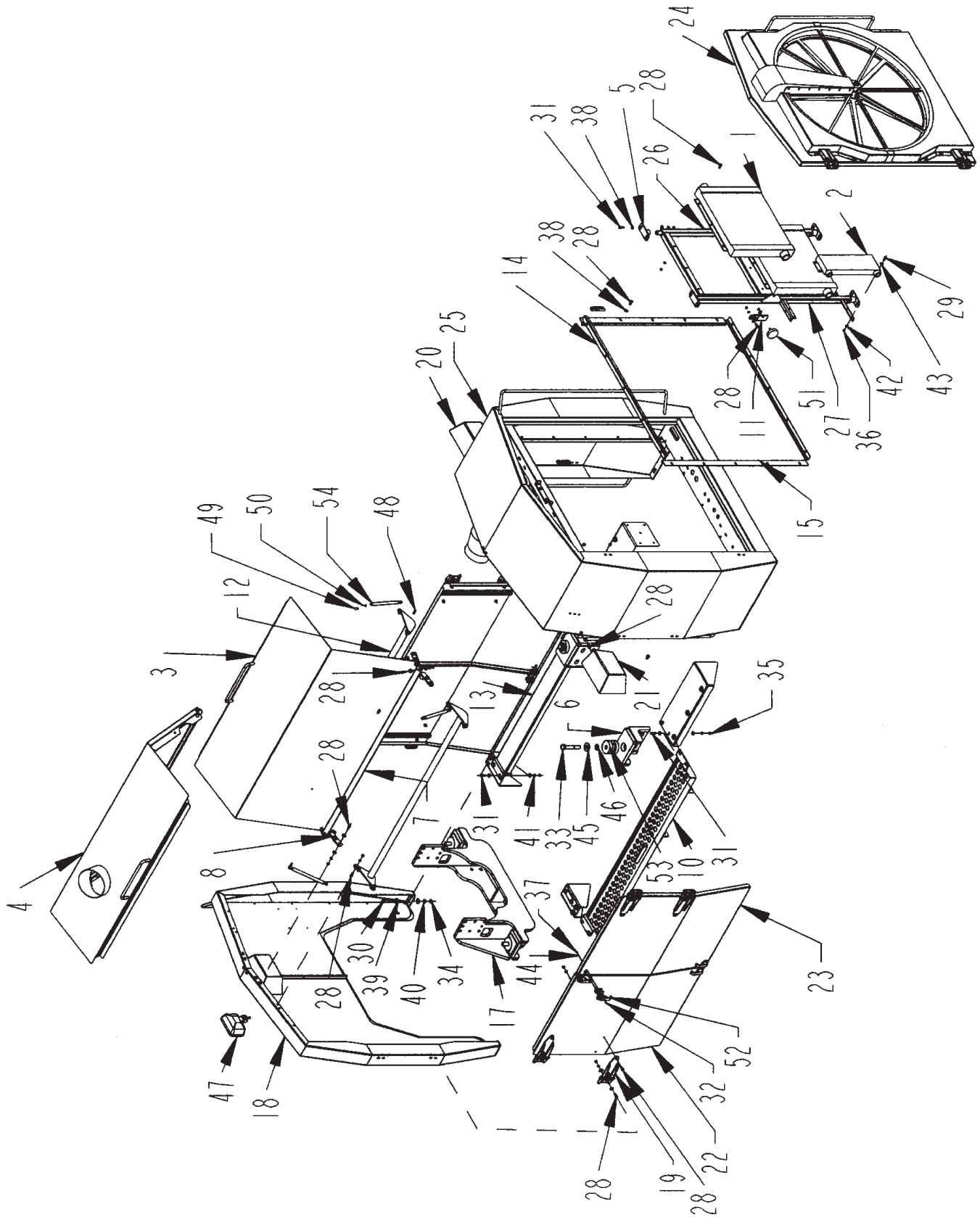
ENGINE SHROUD ASSEMBLY (S.N. 3020 & UP)



ENGINE SHROUD ASSEMBLY (S.N. 3020 & UP)

ITEM	PART	QTY.	PART DESCRIPTION
1	4000219	2	RAD\HYD\23X19\1-1/16"-1
2	4501397	2	BELT\CUSHION\SHROUD
3	4501398	2	BELT\CUSHION\SHROUD
4	4501484	1	SHROUD\RAD
5	4501485	1	SHROUD\ENG\REAR
6	4501486	1	COVER\ENG\LH
7	4501487	1	COVER\ENG\RH
8	4501492	3	BRKT\COOLER\OIL
9	4501495	2	MNT\ENGINE\FRONT\CAT3406
10	4501496	1	CVR\RIDGE\SHROUD\ENG
11	4501497	4	BRKT\PIVOT\DOOR
12	4501498	2	SEAL\RAD\SIDE
13	4501553	1	SEAL\RAD\TOP
14	4501554	1	SEAL\RAD\BOTTOM
15	4501560	1	DECK\SEVR\ENG
16	4501561	2	STEP\SERV\ENGINE
17	4501562	1	DECK\SEVR\ENG
18	4501563	2	DOOR\ACCESS\RAD
19	4501596	1	FRM\DOOR\RAD\LH
20	4501597	1	FRM\DOOR\RAD\LH
21	4501598	1	DOOR\RAD\TOP\LH
22	4501599	1	DOOR\RAD\BOTTOM\LH
23	4501800	1	DOOR\RAD\BOTTOM\LH
24	4703579	10	HINGE\ASSY\FAB\3-1/2
25	4703730	1	BRKT\COOLER\OIL
26	4703731	1	MNT\ENGINE\REAR
26A	4705301		MNT\ENG\REAR\W\CLUTCH SUP/HPTO20 (S.N. 3127,3128)
27	4703870	1	BRKT\LIGHT\LH
28	4703871	1	BRKT\LIGHT\RH
29	4703893	2	DOOR\ACCESS\ENGINE\L.H.
30	4703894	2	DOOR\ACCESS\ENGINE\R.H.
31	4800003	71	BOLT\HEX\3/8X1
32	4800013	20	BOLT\HEX\5/16X1
33	4800018	10	BOLT\HEX\1/2X1-1/4
34	4800098	30	BOLT\HEX\3/8X1-1/4\NC
35	4800160	20	BOLT\HEX\7/16X1-1/4
36	4800468	12	SCR\RD\SLOT\#10X1/2
37	4800925	4	BOLT\HEX\7/8X5
38	4900001	10	NUT\HEX\1/2\NC
39	4900002	57	NUT\HEX\3/8\NC
40	4900003	18	NUT\HEX\5/16\NC
41	4900023	1	NUT\TPLCK\3/8\NC
42	4900025	20	NUT\HEX\7/16\NC
43	4900072	12	NUT\HEX\#10\NC
44	5000001	108	WASH\FLAT\3/8
45	5000004	20	WASH\FLAT\1/2
46	5000006	10	WASH\LOCK\1/2
47	5000015	20	WASH\LOCK\7/16
48	5000019	101	WASH\LOCK\3/8
49	5000022	20	WASH\LOCK\5/16
50	5000023	40	WASH\FLAT\5/16
51	5000071	12	WASH\LOCK;EXT\STAR\#10
52	5000098	4	WASH\FLAT\7/8
53	5000106	4	WASH\LOCK\7/8
54	5700317	3	LAMP\HALOGEN\4X6\24V
55	7500664	8	BALL STUD\SHOCK\FITTING\M6
56	7500891	1	KNOB\CLAMP\3/8NCx1"STUD
57	7500907	8	LATCH\COMP\HD
58	7501063	4	CUSH\RBRR\3-1/2ODX2-7/8\0.94 BOLT HOLE
59	7500663	4	HOLE SPRNG\GAS\90LB\9416K174

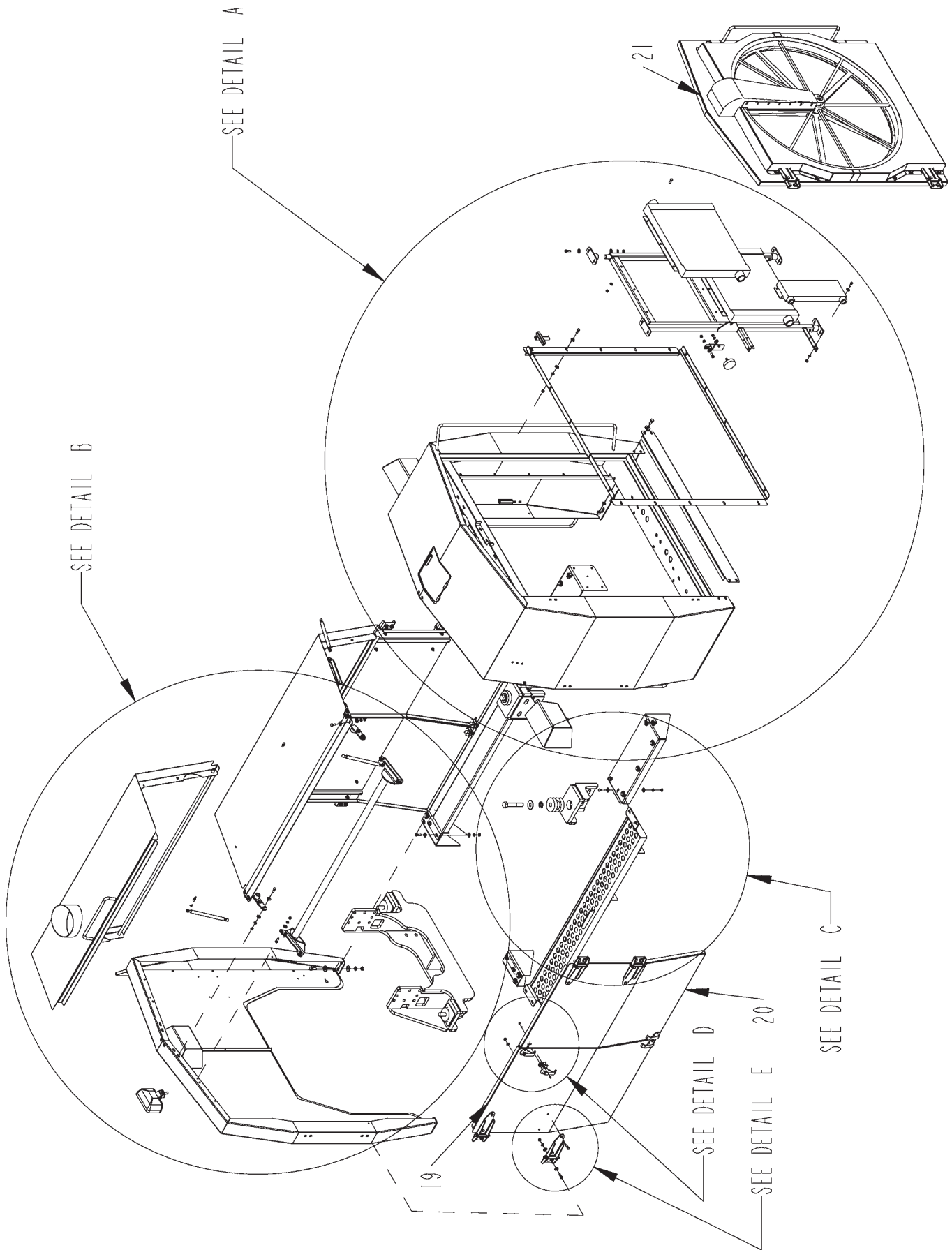
ENGINE SHROUD ASSEMBLY - 525 HP



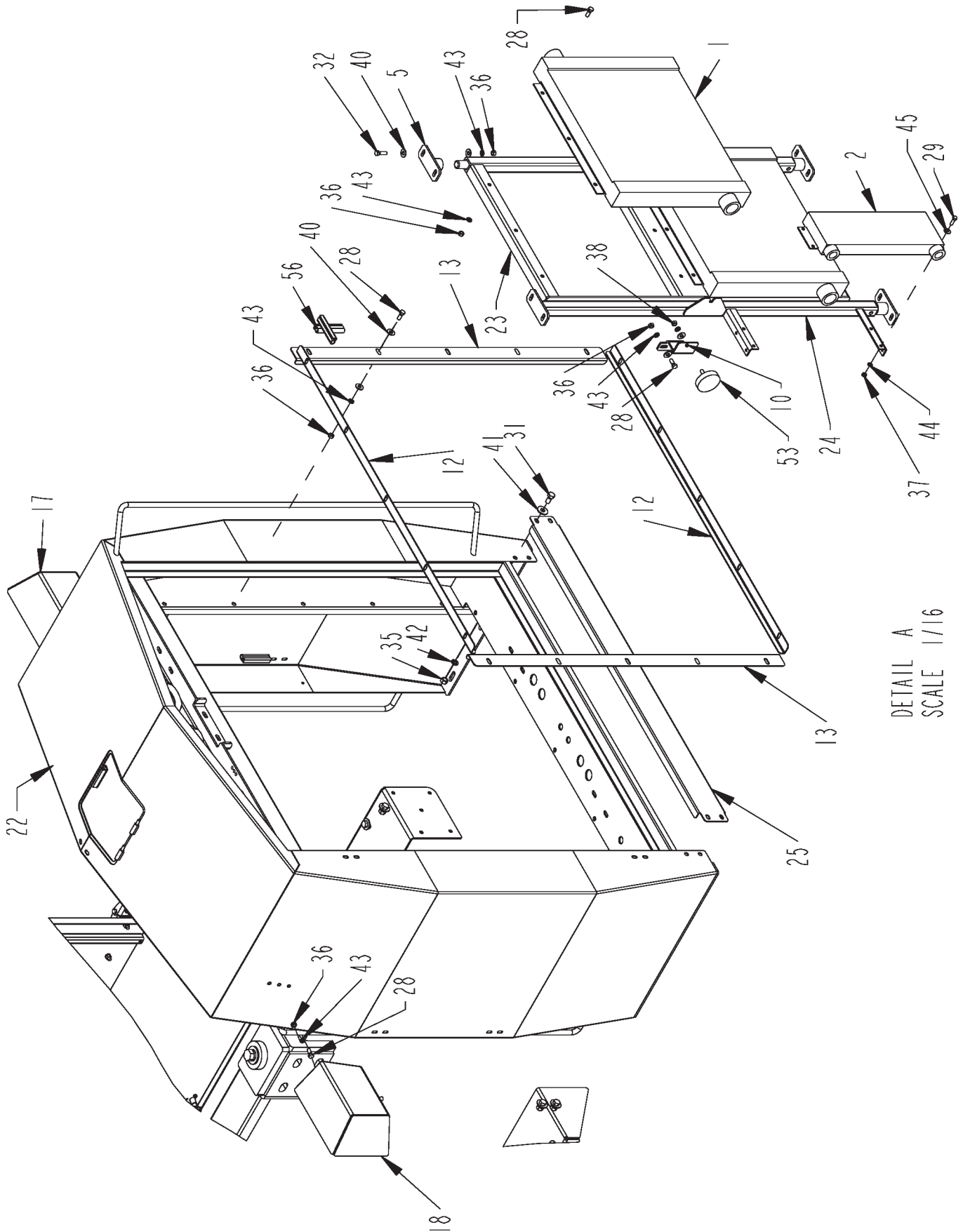
ENGINE SHROUD ASSEMBLY - 525 HP

ITEM	PART	QTY.	PART DESCRIPTION
1	4000219	2	RAD\HYD\23X19\1-1/16"-1
2	4000300	1	RAD\HYD\5-5/8X13-3/4X1-3/4\AKG_C-8
3	4501486	1	COVER\ENG\LH
4	4501487	1	COVER\ENG\RH
4	4704687		COVER\ENG\RH (only on s.n.'s 3062, 3065, 3068, 3070, 3072, & 3074)
5	4501492	3	BRKT\COOLER\OIL
6	4501495	2	MNT\ENGINE\FRONT\CAT3406
7	4501496	1	CVR\RIDGE\SHROUD\ENG
8	4501497	4	BRKT\PIVOT\DOOR
9	4501499	1	TUBE\INTAKE\AIR
10	4501562	1	DECK\SEVR\ENG
11	4501580	1	BRKT\CLAMP\FRM\COOLER\OIL
12	4501820	2	BRACE\SHROUD
13	4501824	1	DECK\SERV
14	4501828	2	SEAL\RAD\TOP
15	4501829	2	SEAL\RAD\SIDE
16	4501831	1	TUBE\SCRN\ROTARY
17	4502006	1	MNT\ENG\525
18	4502014	1	SHROUD\ENG\REAR
19	4703579	10	HINGE\ASSY\FAB\3-1/2
20	4703870	1	BRKT\LIGHT\LH
21	4703871	1	BRKT\LIGHT\RH
22	4703893	2	DOOR\ACCESS\ENGINE\L.H.
23	4703894	2	DOOR\ACCESS\ENGINE\R.H.
24	4703895	1	DOOR\RAD
25	4704298	1	SHROUD\RAD
26	4704299	1	FRM\PIVOT\COOLER\OIL
27	4704300	1	BRLT\COOLER\OIL
28	4800003	109	BOLT\HEX\3/8X1
29	4800013	4	BOLT\HEX\5/16X1
30	4800018	10	BOLT\HEX\1/2X1-1/4
31	4800098	16	BOLT\HEX\3/8X1-1/4\NC
32	4800468	20	SCR\RD\SLOT\#10X1/2
33	4800925	4	BOLT\HEX\7/8X5
34	4900001	10	NUT\HEX\1/2\NC
35	4900002	125	NUT\HEX\3/8\NC
36	4900003	4	NUT\HEX\5/16\NC
37	4900072	20	NUT\HEX\#10\NC
38	5000001	160	WASH\FLAT\3/8
39	5000004	20	WASH\FLAT\1/2
40	5000006	10	WASH\LOCK\1/2
41	5000019	136	WASH\LOCK\3/8
42	5000022	4	WASH\LOCK\5/16
43	5000023	4	WASH\FLAT\5/16
44	5000071	20	WASH\LOCK;EXT\STAR\#10
45	5000098	4	WASH\FLAT\7/8
46	5000106	4	WASH\LOCK\7/8
47	5700317	3	LAMP\HALOGEN\4X6\24V
48	7500664	8	BALL STUD\SHOCK\FITTING\M6
49	7500665	8	END FITTING\GAS SPRING \m6
50	7500666	8	SAFETY CLIP
51	7500891	1	KNOB\CLAMP\3/8NCx1"STUD
52	7500907	10	LATCH\COMP\HD
53	7501063	4	CUSH\RBBR\3-1/2ODX2-7/8\0.94 BOLT HOLE
54	7500663	4	SPRNG\GAS\90LB\9416K224

ENGINE SHROUD ASSEMBLY - 475 & 540 HP

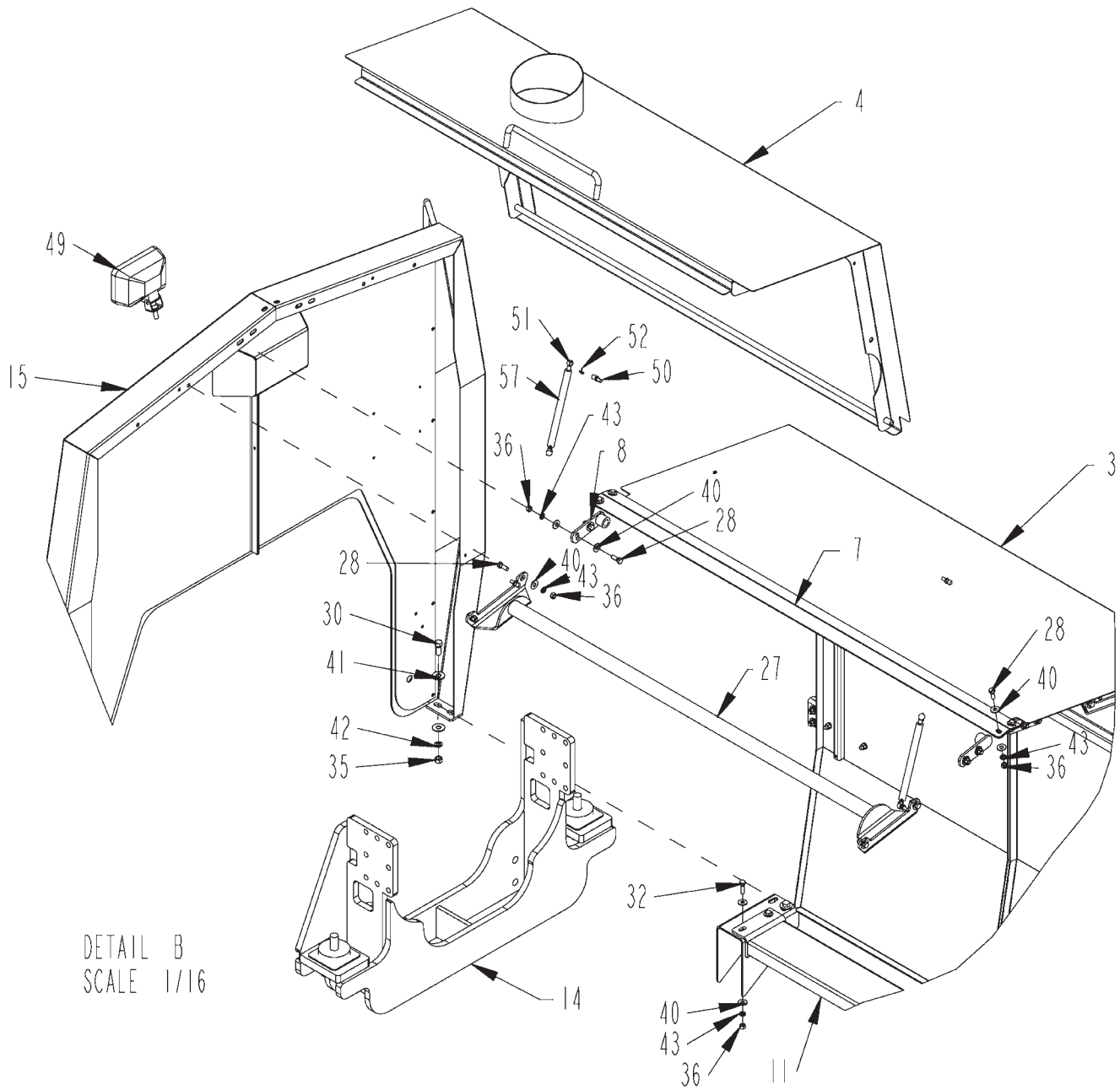


ENGINE SHROUD ASSEMBLY - 475 & 540 HP - DETAIL A

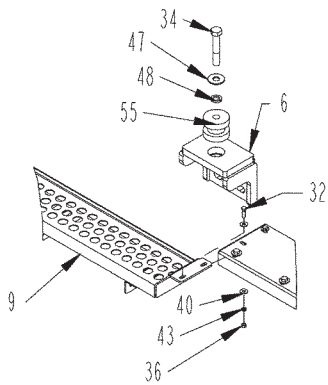


DETAIL A
SCALE 1/16

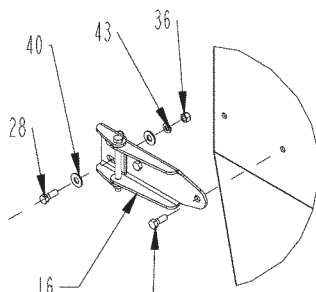
ENGINE SHROUD ASSEMBLY - 475 & 540 HP - DETAILS B-E



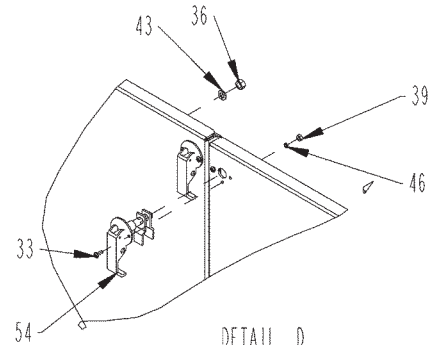
DETAIL B
SCALE 1/16



DETAIL C
SCALE 1/16



DETAIL E
SCALE 1/8

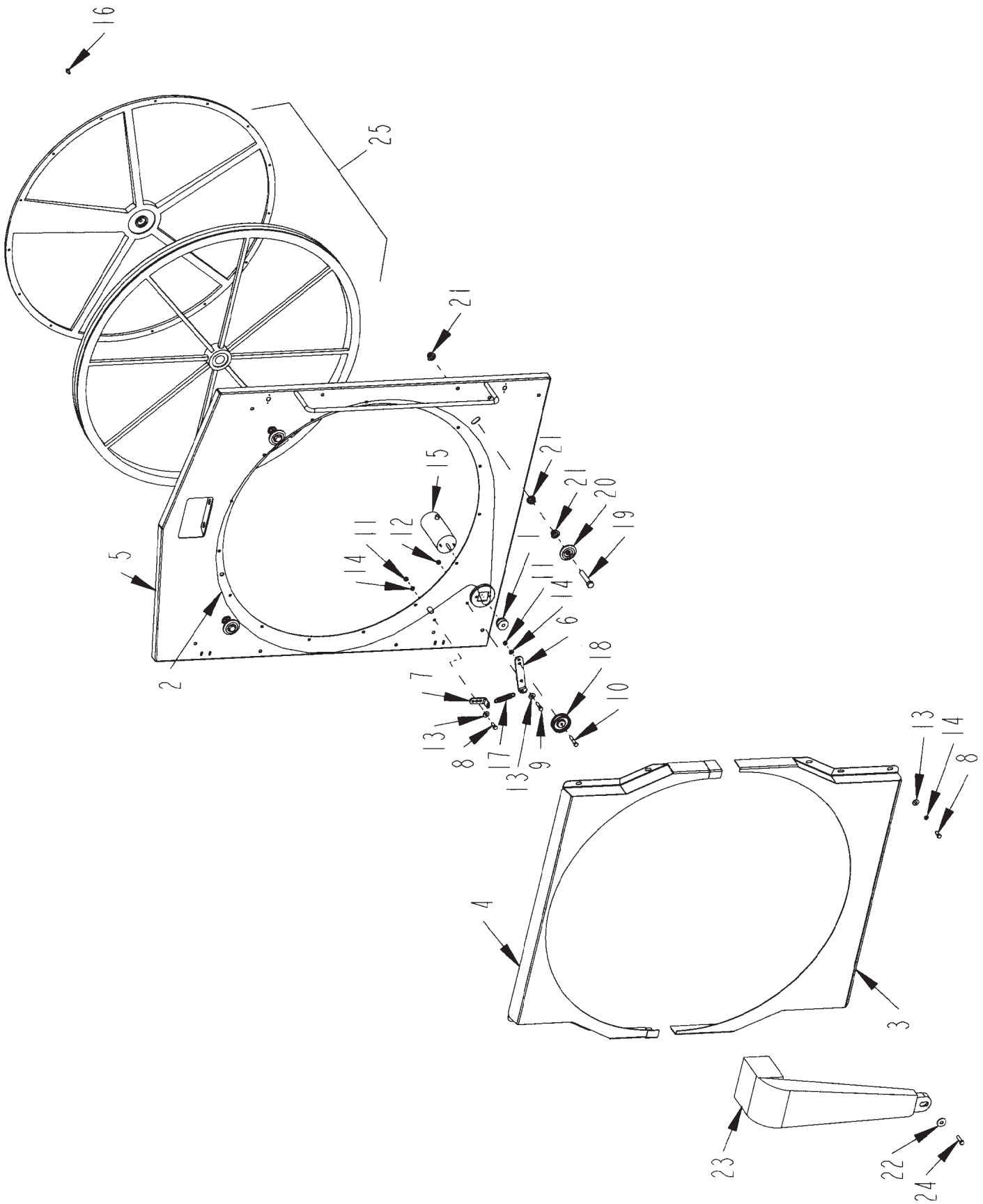


DETAIL D
SCALE 1/8

ENGINE SHROUD ASSEMBLY - 475 & 540 HP - PARTS LIST

ITEM	PART	QTY.	PART DESCRIPTION
1	4000219	2	RAD\HYD\23X19\1-1/16"-1
2	4000300	1	RAD\HYD\5-5/8X13-3/4X1-3/4\AKG_C-8
3	4501486	1	COVER\ENG\LH
4	4501487	1	COVER\ENG\RH
5	4501492	3	BRKT\COOLER\OIL
6	4501495	2	MNT\ENGINE\FRONT\CAT3406
7	4501496	1	CVR\RIDGE\SHROUD\ENG
8	4501497	4	BRKT\PIVOT\DOOR
9	4501562	1	DECK\SEVR\ENG
10	4501580	1	BRKT\CLAMP\FRM\COOLER\OIL
11	4501824	1	DECK\SERV
12	4501828	2	SEAL\RAD\TOP
13	4501829	2	SEAL\RAD\SIDE
14	4502006	1	MNT\ENG\525
15	4502014	1	SHROUD\ENG\REAR (THRU S.N. 3129)
15A	4502047		SHROUD\ENG\REAR (S.N. 3130 & UP)
16	4703579	10	HINGE\ASSY\FAB\3-1/2
17	4703870	1	BRKT\LIGHT\LH
18	4703871	1	BRKT\LIGHT\RH
19	4703893	2	DOOR\ACCESS\ENGINE\L.H.
20	4703894	2	DOOR\ACCESS\ENGINE\R.H.
21	4703895	1	DOOR\RAD
22	4704298	1	SHROUD\RAD (THRU S.N. 3130)
22A	4502493		SHROUD\RAD (S.N. 3131 & UP)
23	4704299	1	FRM\PIVOT\COOLER\OIL
24	4704300	1	BRLT\COOLER\OIL
25	4704653	1	CVR\ACCESS\SHROUD
26	4704680	1	TUBE\INTAKE\AIR
27	4704682	2	BRACE\SHROUD
28	4800003	114	BOLT\HEX\3/8X1
29	4800013	4	BOLT\HEX\5/16X1
30	4800018	10	BOLT\HEX\1/2X1-1/4
31	4800085	4	BOLT\HEX\1/2X1
32	4800098	16	BOLT\HEX\3/8X1-1/4\NC
33	4800468	20	SCR\RD\SLOT\#10X1/2
34	4800925	4	BOLT\HEX\7/8X5
35	4900001	14	NUT\HEX\1/2\NC
36	4900002	126	NUT\HEX\3/8\NC
37	4900003	4	NUT\HEX\5/16\NC
38	4900023	12	NUT\PLCK\3/8\NC
39	4900072	20	NUT\HEX\#10\NC
40	5000001	166	WASH\FLAT\3/8
41	5000004	24	WASH\FLAT\1/2
42	5000006	14	WASH\LOCK\1/2
43	5000019	141	WASH\LOCK\3/8
44	5000022	4	WASH\LOCK\5/16
45	5000023	4	WASH\FLAT\5/16
46	5000071	20	WASH\LOCK;EXT\STAR\#10
47	5000098	4	WASH\FLAT\7/8
48	5000106	4	WASH\LOCK\7/8
49	5700317	3	LAMP\HALOGEN\4X6\24V
50	7500664	8	BALL STUD\SHOCK\FITTING\M6
51	7500665	8	END FITTING\GAS SPRING \m6
52	7500666	8	SAFETY CLIP
53	7500891	1	KNOB\CLAMP\3/8NCx1"STUD
54	7500907	10	LATCH\COMP\HD
55	7501063	4	CUSH\RRBR\3-1/2ODX2-7/8\0.94 BOLT HOLE
56	7501074	3	WEATHERSTRIP\SCR\RAD
57	7500663	4	SPRNG\GAS\90LB\9416K224

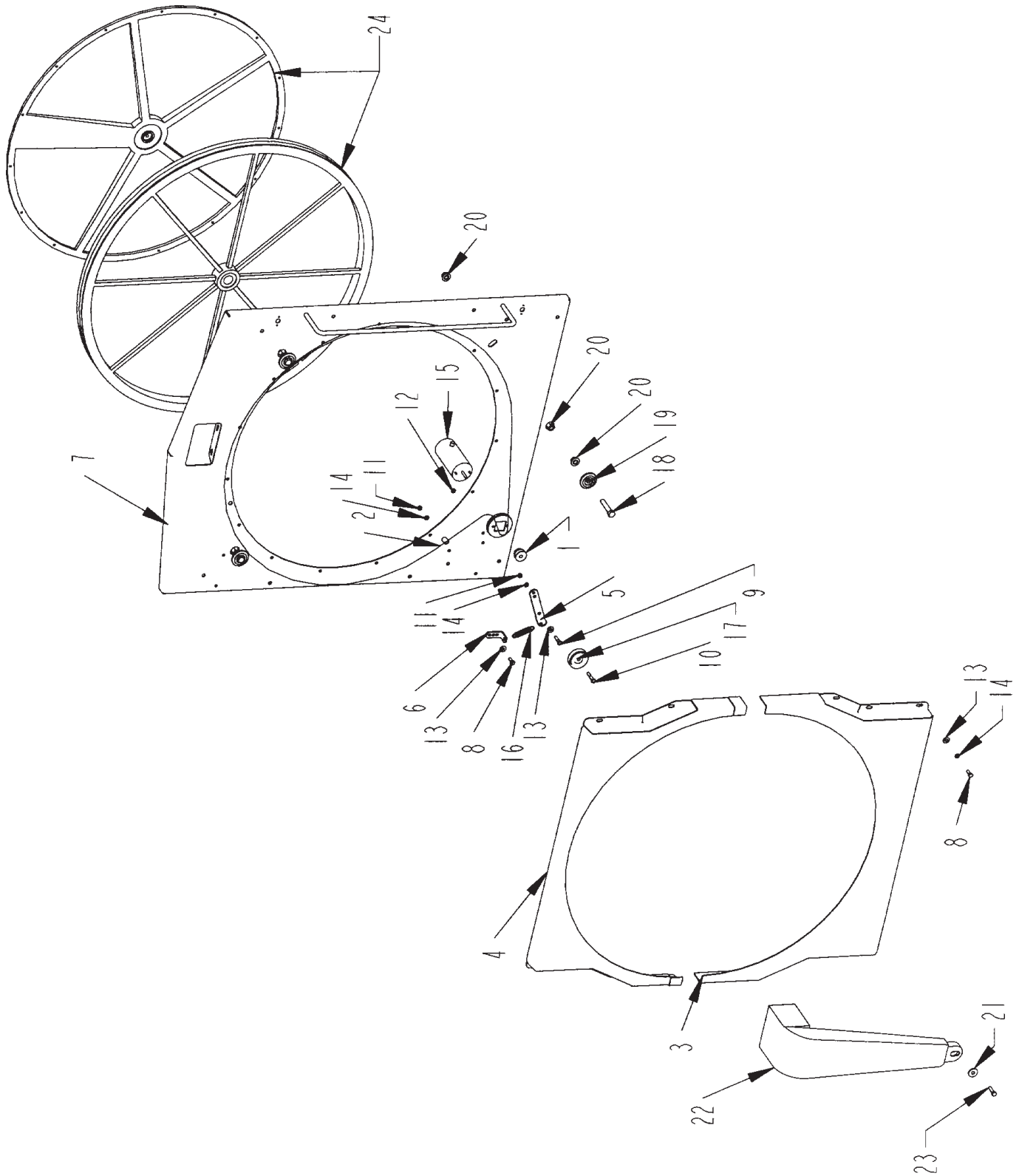
ROTARY SCREEN ASSEMBLY (S.N. 3000 TO 3019)



ROTARY SCREEN ASSEMBLY (S.N. 3000 TO 3019)

ITEM	PART	QTY.	PART DESCRIPTION
1	1400090	1	PULLEY G&G
2	1600085	1	V-BELT\AX\158\COG-BELT
3	4501395	1	CVR\ROTARYSCREEN\BOTTOM
4	4501396	1	CVR\ROTARYSCREEN\TOP
5	4501564	1	DOOR\RAD
6	4501569	1	IDLER\SCREEN\ROTARY
7	4501571	1	BRKT\SPRING\IDLER\SCREEN\ROTARY
8	4800003	11	BOLT\HEX\3/8X1
9	4800034	1	BOLT\HEX\3/8X1-1/2
10	4800146	1	BOLT\HEX\3/8X2
11	4900002	2	NUT\HEX\3/8\NC
12	4900023	1	NUT\TPLCK\3/8\NC
13	5000001	12	WASH\FLAT\3/8
14	5000019	12	WASH\LOCK\3/8
15	5700537	1	MTR\ELEC\24V\0.03HP
16	7501073	15	SCREW\SCRN\RAD
17	7501076	1	SPRING\SCRN\RAD
18	7501077	1	SHEAVE\SCRN\RAD
19	7501078	4	CAP\SCREW\SCRN\RAD
20	7501079	4	ROLLER\ ROTARYSCREEN
21	7501080	12	FLANGE\NUT\SCRN\RAD
22	7501081	1	WASHER\SCRN\RAD
23	7501083	1	AIR\DUCT\SCRN\RAD
24	7501089	1	CAP\SCREW\SCRN\RAD
25	7501084	1	SCREEN\ROTARY\RAD

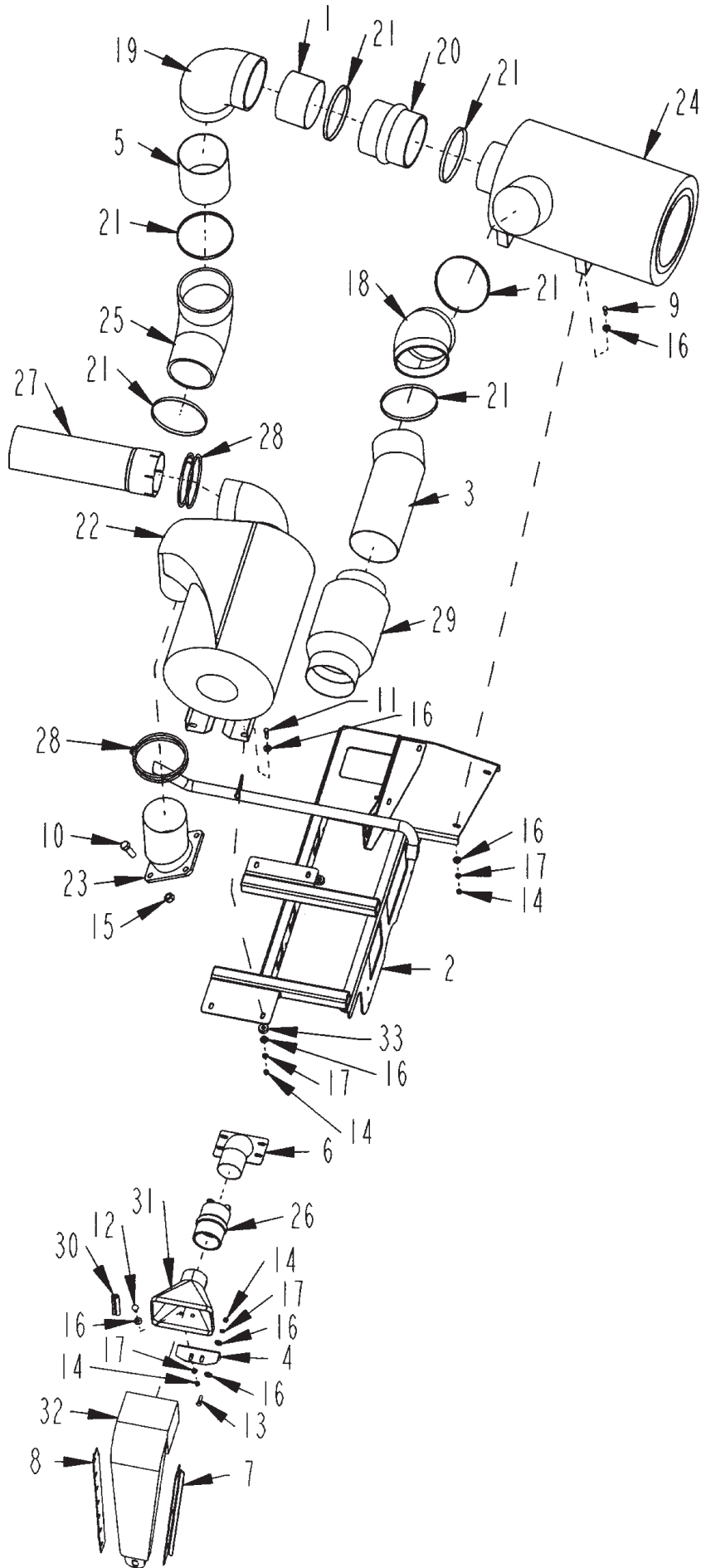
ROTARY SCREEN ASSEMBLY (S.N. 3020 & UP)



ROTARY SCREEN ASSEMBLY (S.N. 3020 & UP)

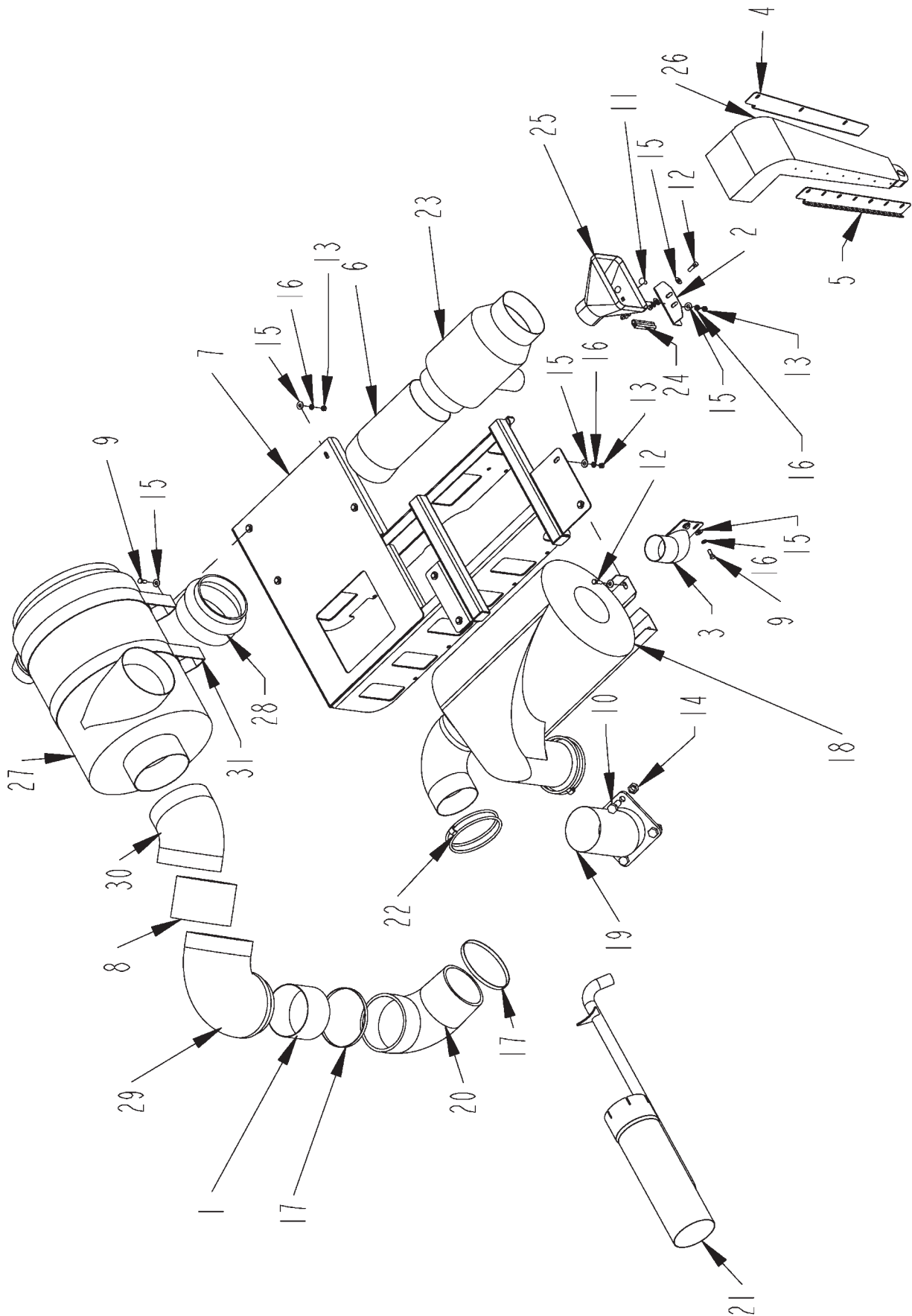
ITEM	PART	QTY.	PART DESCRIPTION
1	1400090	1	PULLEY G&G
2	1600085	1	V-BELT\AX\158\COG-BELT
3	4501395	1	CVR\ROTARYSCREEN\BOTTOM
4	4501396	1	CVR\ROTARYSCREEN\TOP
5	4501569	1	IDLER\SCREEN\ROTARY
6	4501571	1	BRKT\SPRING\IDLER\SCREEN\ROTARY
7	4703895	1	DOOR\RAD
8	4800003	11	BOLT\HEX\3/8X1
9	4800034	1	BOLT\HEX\3/8X1-1/2
10	4800146	1	BOLT\HEX\3/8X2
11	4900002	2	NUT\HEX\3/8\NC
12	4900023	1	NUT\TPLCK\3/8\NC
13	5000001	12	WASH\FLAT\3/8
14	5000019	12	WASH\LOCK\3/8
15	5700537	1	MTR\ELEC\24V\0.03HP
16	7501076	1	SPRING\SCRN\RAD
17	7501077	1	SHEAVE\SCRN\RAD
18	7501078	4	CAP\SCREW\SCRN\RAD
19	7501079	4	ROLLER\ ROTARYSCREEN
20	7501080	12	FLANGE\NUT\SCRN\RAD
21	7501081	1	WASHER\SCRN\RAD
22	7501083	1	AIR\DUCT\SCRN\RAD
23	7501089	1	CAP\SCREW\SCRN\RAD
24	7501084	1	SCREEN\ROTARY\RAD

ENGINE DUCTING - 463 & 525 HP



ENGINE DUCTING - 463 & 525 HP

ITEM	PART	QTY.	PART DESCRIPTION
1	4501392	1	TUBE\INTAKE\AIR
2	4501483	1	BRKT\MUFFLER\AIRCLEANER
3	4501499	1	TUBE\INTAKE\AIR
4	4501565	1	BRKT\FUNNEL\SHROUD\RAD
5	4501568	1	TUBE\INTAKE\AIR
6	4501582	1	ELBOW\SCREEN\ROTARY
7	4501584	1	SEAL\SCREEN\ROTARY
8	4501585	1	SEAL\SCREEN\ROTARY
9	4800003	4	BOLT\HEX\3/8X1
10	4800033	4	BOLT\HEX\3/4X2
11	4800034	4	BOLT\HEX\3/8X1-1/2
12	4800053	2	BOLT\CRG\3/8X1\NC
13	4800098	2	BOLT\HEX\3/8X1-1/4\NC
14	4900002	12	NUT\HEX\3/8\NC
15	4900139	4	NUT\TPLCK\3/4\GR8\NC
16	5000001	22	WASH\FLAT\3/8
17	5000019	12	WASH\LOCK\3/8
18	7500513	1	FTG\RBBR\5\45DEG\ELL
19	7500514	1	FTG\RBBR\7\90DEG\ELL
20	7500643	1	FTG\RBBR\7\CPLG
21	7500644	6	CLMP\HOSE\7
22	7500875	1	SILENCER\EXHAUST\COWL
22	7501285		SILENCER\EXHAUST\COWL (only on s.n.'s 3062, 3065, 3068, 3070, 3072, & 3074)
23	7500915	1	EXHST\FLEX\COWL
24	7500920	1	AIRCLEANER\FVG\DONALDSON
24A	4400084		FLTR\ELMT\AIR\PRMRY
24B	4400085		FLTR\ELMT\AIR\SAFTY
25	7500922	1	FTG\RBBR\7TO6\90DEG\ELL
26	7500923	1	FTG\RBBR\3-1/2\CPLG
27	7500924	1	TUBE\EXHAUST\6"X20-7/8-SC ONE END
28	7500925	2	CLAMP\EXHAUST\6
29	7501066	1	SPRTR\INLINE\H001906
30	7501074	1	WEATHERSTRIP\SCRN\RAD
31	7501075	1	Z62350-FUNNEL
32	7501083	1	AIR\DUCT\SCRN\RAD
33	7501235	4	CUSH\RBBR\1-1/4ODX1/2IDX1/2THICK



ENGINE DUCTING - 475 & 540 HP

ITEM	PART	QTY.	PART DESCRIPTION
1	4501392	1	TUBE\INTAKE\AIR
2	4501565	1	BRKT\FUNNEL\SHROUD\RAD
3	4501582	1	ELBOW\SCREEN\ROTARY
4	4501584	1	SEAL\SCREEN\ROTARY
5	4501585	1	SEAL\SCREEN\ROTARY
6	4704680	1	TUBE\INTAKE\AIR
7	4704681	1	BRKT\MUFFLER\AIRCLEANER
8	4704684	1	TUBE\INTAKE\AIR
9	4800003	8	BOLT\HEX\3/8X1
10	4800033	4	BOLT\HEX\3/4X2
11	4800053	2	BOLT\CRG\3/8X1\NC
12	4800098	6	BOLT\HEX\3/8X1-1/4\NC
13	4900002	12	NUT\HEX\3/8\NC
14	4900139	4	NUT\TPLCK\3/4\GR8\NC
15	5000001	26	WASH\FLAT\3/8
16	5000019	16	WASH\LOCK\3/8
17	7500644	2	CLMP\HOSE\7
18	7500875	1	SILENCER\EXHAUST\COWL
19	7500915	1	EXHST\FLEX\COWL
20	7500922	1	FTG\RBBR\7TO6\90DEG\ELL
21	7500924	1	TUBE\EXHAUST\6"X20-7/8-SC ONE END
22	7500925	2	CLAMP\EXHAUST\6
23	7501066	1	SPRTR\INLINE\H001906
24	7501074	1	WEATHERSTRIP\SCRN\RAD
25	7501075	1	Z62350-FUNNEL
26	7501083	1	AIR\DUCT\SCRN\RAD
27	7501274	1	AIRCLEANER\FRG\18"
28	7501275	1	FTG\RBBR\CPLG\8TO7
29	7501276	1	90DEG REDUCING ELBOW
30	7501277	1	FTG\RBBR\5\45DEG\ELL
31	7501278	2	CLMP\AIRCLEANER\18"

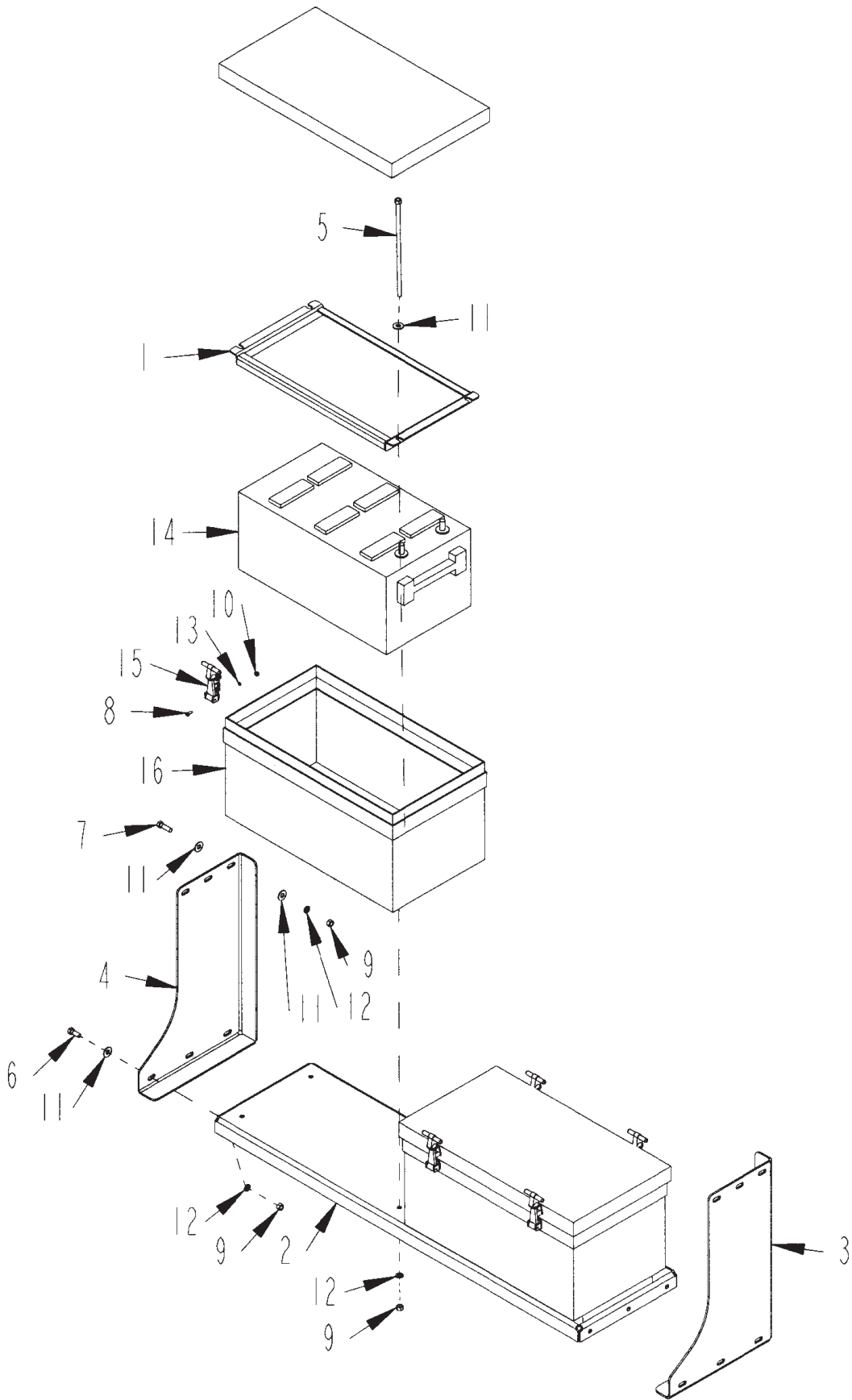
REPLACEMENT AIR FILTERS FOR 7501274

4400122	FLTR\ELMT\AIR\PRMRY\
4400123	FLTR\ELMT\AIR\SAFTY

NOT SHOWN

3700738	HOSE\AIR\3-1/2"ID
----------------	--------------------------

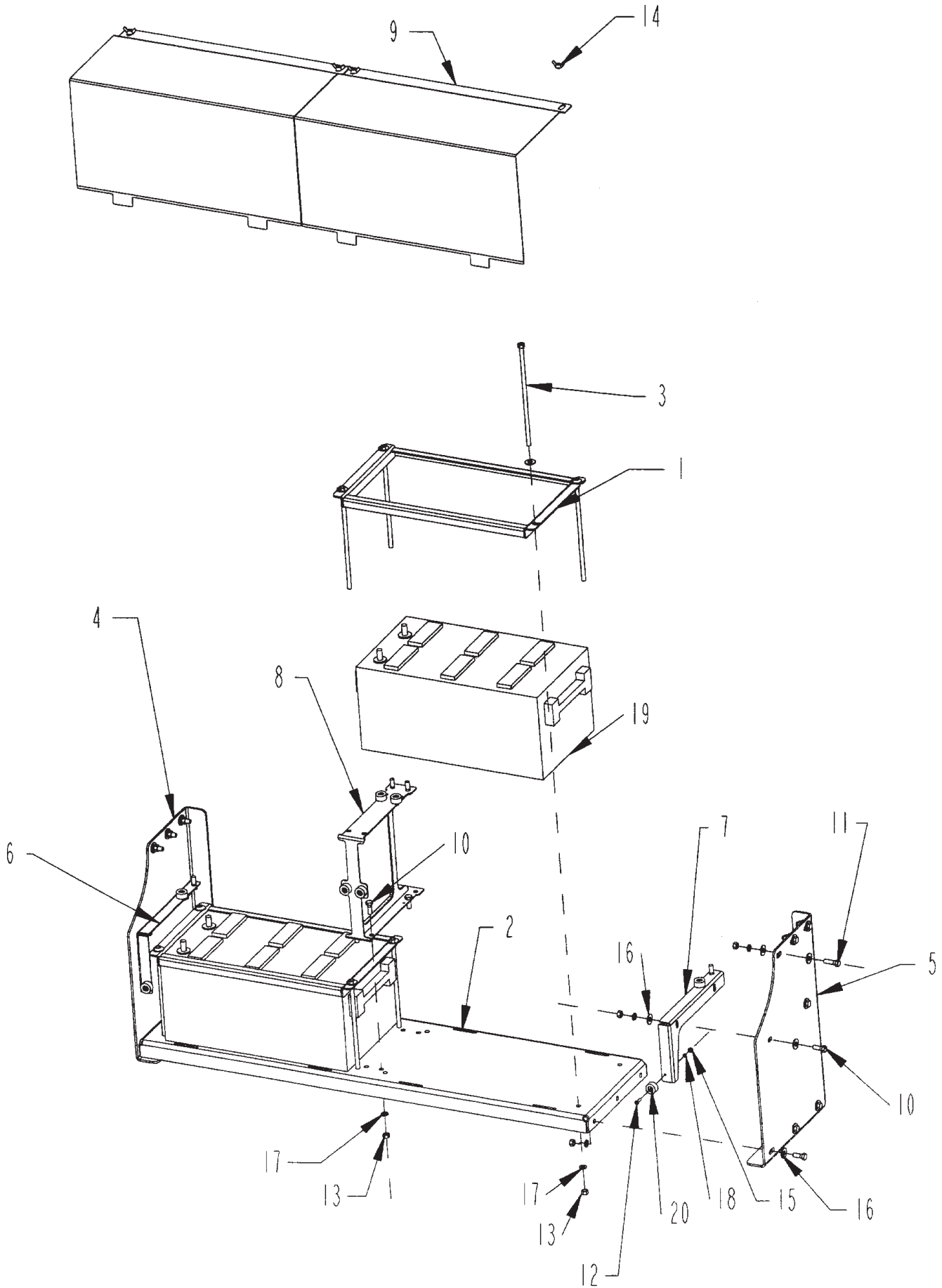
BATTERY BOX ASSEMBLY - ORIGINAL STYLE



BATTERY BOX ASSEMBLY - ORIGINAL STYLE

ITEM	PART	QTY.	PART DESCRIPTION
1	4501551	2	BRKT\BATT
2	4501552	1	BRKT\BOX\BATTERY\BOTTOM
3	4501566	1	BRKT\BOX\BATTERY
4	4501567	1	BRKT\BOX\BATTERY
5	4703198	8	HLDN\BRCKT\BTTRY
6	4800003	6	BOLT\HEX\3/8X1
7	4800098	6	BOLT\HEX\3/8X1-1/4\NC
8	4800468	32	SCR\RD\SLOT\#10X1/2
9	4900002	20	NUT\HEX\3/8\NC
10	4900072	32	NUT\HEX\#10\NC
11	5000001	26	WASH\FLAT\3/8
12	5000019	20	WASH\LOCK\3/8
13	5000071	32	WASH\LOCK;EXT\STAR\#10
14	5700002	2	BATT\12VDC
15	7500606	8	LATCH\35-MAUSTIN
16	7500917	2	BOX\BTTRY\12X21-3/4X11\8D

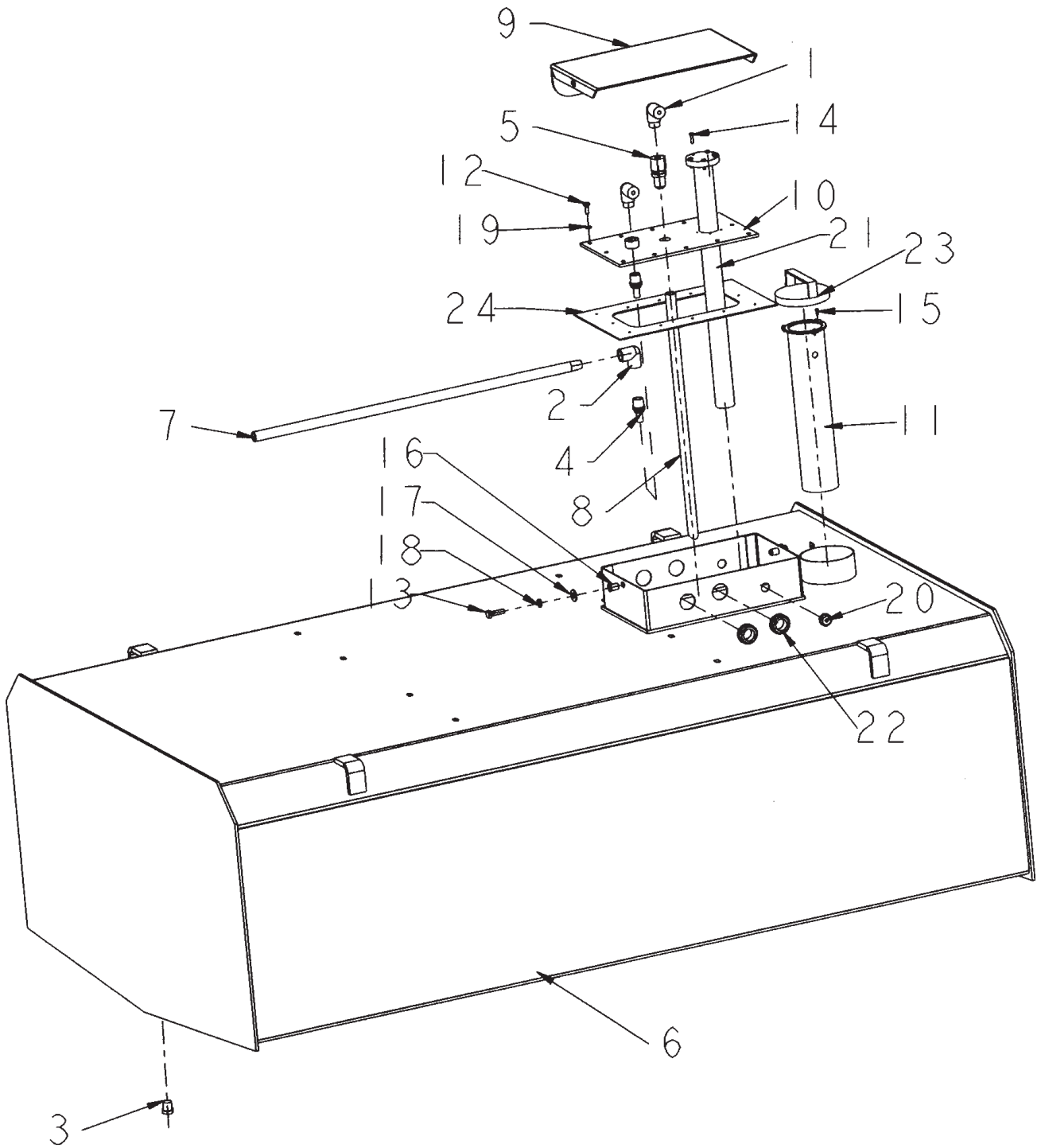
BATTERY BOX ASSEMBLY - NEW STYLE



BATTERY BOX ASSEMBLY - NEW STYLE

ITEM	PART	QTY.	PART DESCRIPTION
1	4501551	2	BRKT\BATT
2	4501552	1	BRKT\BOX\BATTERY\BOTTOM
3	4703198	8	HLDN\BRCKT\BTTRY
4	4703944	1	BRKT\BOX\BATTERY
5	4703945	1	BRKT\BOX\BATTERY
6	4703946	1	BRKT\COVER\BOX\BTTRY
7	4703947	1	BRKT\COVER\BTTRY
8	4703948	1	BRKT\COVER\BOX\BATTERY
9	4703949	2	COVER\BTTRY
10	4800003	18	BOLT\HEX\3/8X1
11	4800098	6	BOLT\HEX\3/8X1\NC
12	4800497	8	SCR\PAN\PHL\#10X3/4\NC
13	4900002	36	NUT\HEX\3/8\NC
14	4900032	4	NUT\WING\3/8\NC
15	4900072	8	NUT\HEX\#10\NC
16	5000001	34	WASH\FLAT\3/8
17	5000019	28	WASH\LOCK\3/8
18	5000071	8	WASH\LOCK;EXT\STAR\#10
19	5700002	2	BATT\12VDC
20	7500756	8	BMPR\RBBR\1-1/32X5/8

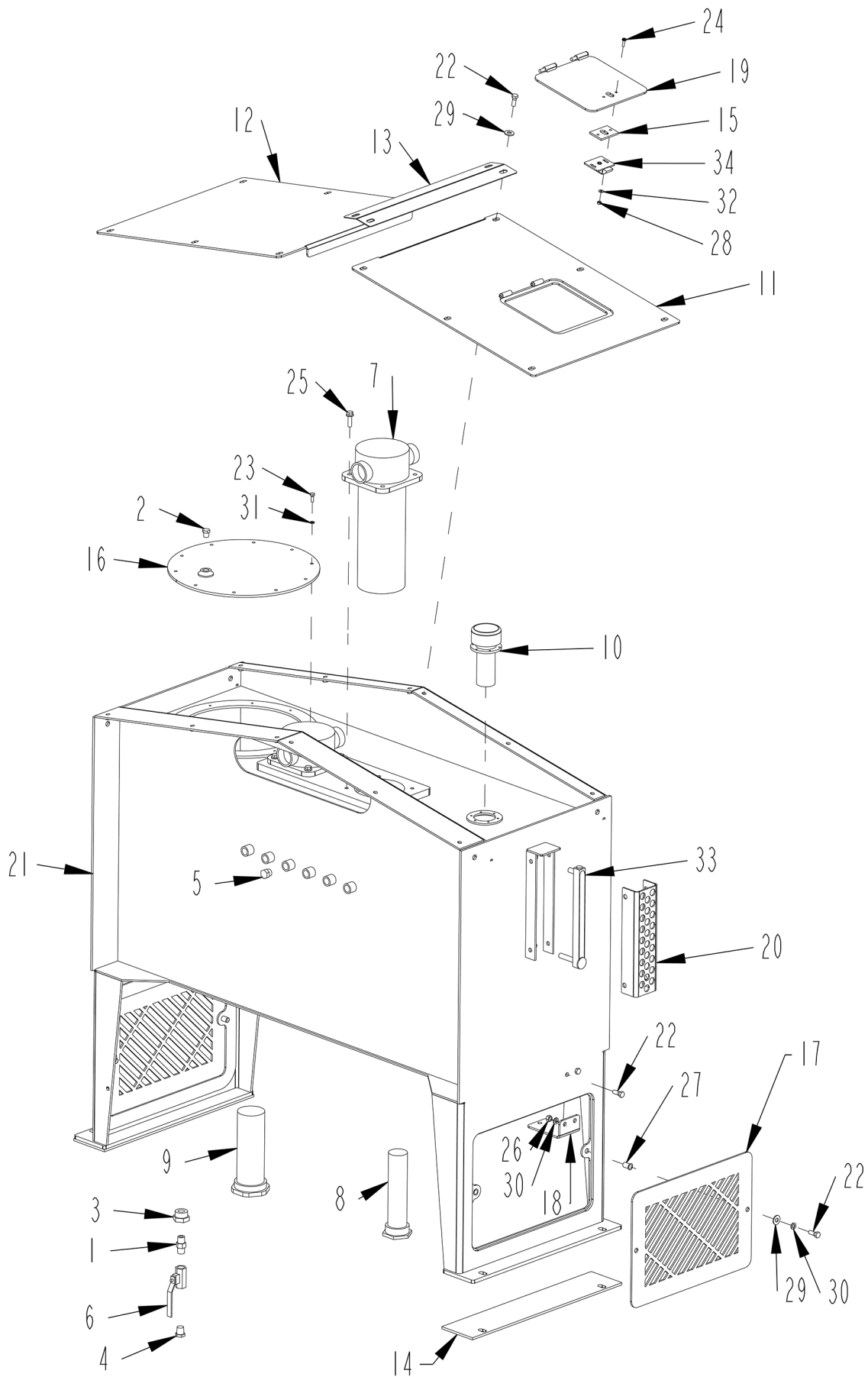
FIFTH WHEEL FUEL TANK ASSEMBLY



FIFTH WHEEL FUEL TANK ASSEMBLY

ITEM	PART	QTY.	PART DESCRIPTION
1	3800008	2	FTG\1/2MPX1/2FP\90\ST;EL
2	3800165	1	FTG\1/2FPX1/2FP\90
3	3800619	1	FTG\AIR\1/2MP\PLUG\BRS\HEX
4	3800691	2	FTG\AIR\1/2MPX1/2PSHLCK\BRASS
5	3800706	1	FTG\7/8MJICX1/2FP\BULKHEAD
6	4703055	1	TANK\FUEL\72-1/2X44-1/2X24-1/2
7	4703103	1	PIPE\RETURN\TANK\FUEL\HD12
8	4703104	1	TUBE\SUCTION\TANK\FUEL\HD12
9	4703105	1	CVR\GAUGE\TANK\FUEL
10	4703107	1	CVR\TANK\FUEL\HD12
11	4703108	1	TUBE\FILL\INNER\FUEL
12	4800024	12	BOLT\HEX\1/4X3/4
13	4800098	2	BOLT\HEX\3/8X1-1/4\NC
14	4800380	5	SCR\RD\SLOT\#10-32X3/4
15	4800620	3	SCR\CAP\ALN\6-32X3/8\BLK
16	4900082	2	NUT\INSERT\3/8\027X.150GR
17	5000001	2	WASH\FLAT\3/8
18	5000019	2	WASH\LOCK\3/8
19	5000024	12	WASH\LOCK\1/4
20	7500124	1	GRMT\RBBR\1X9/32IDX3/16T
21	7500682	1	GAUGE\FUEL\SENDING\HD12
22	7500743	2	GRMT\RBBR\1-3/8X1IDX1/4T
23	7500811	1	CAP\FUEL\LOW_PRESS_RELIEF
24	7501175	1	SEAL\TANK\FUEL\3/32

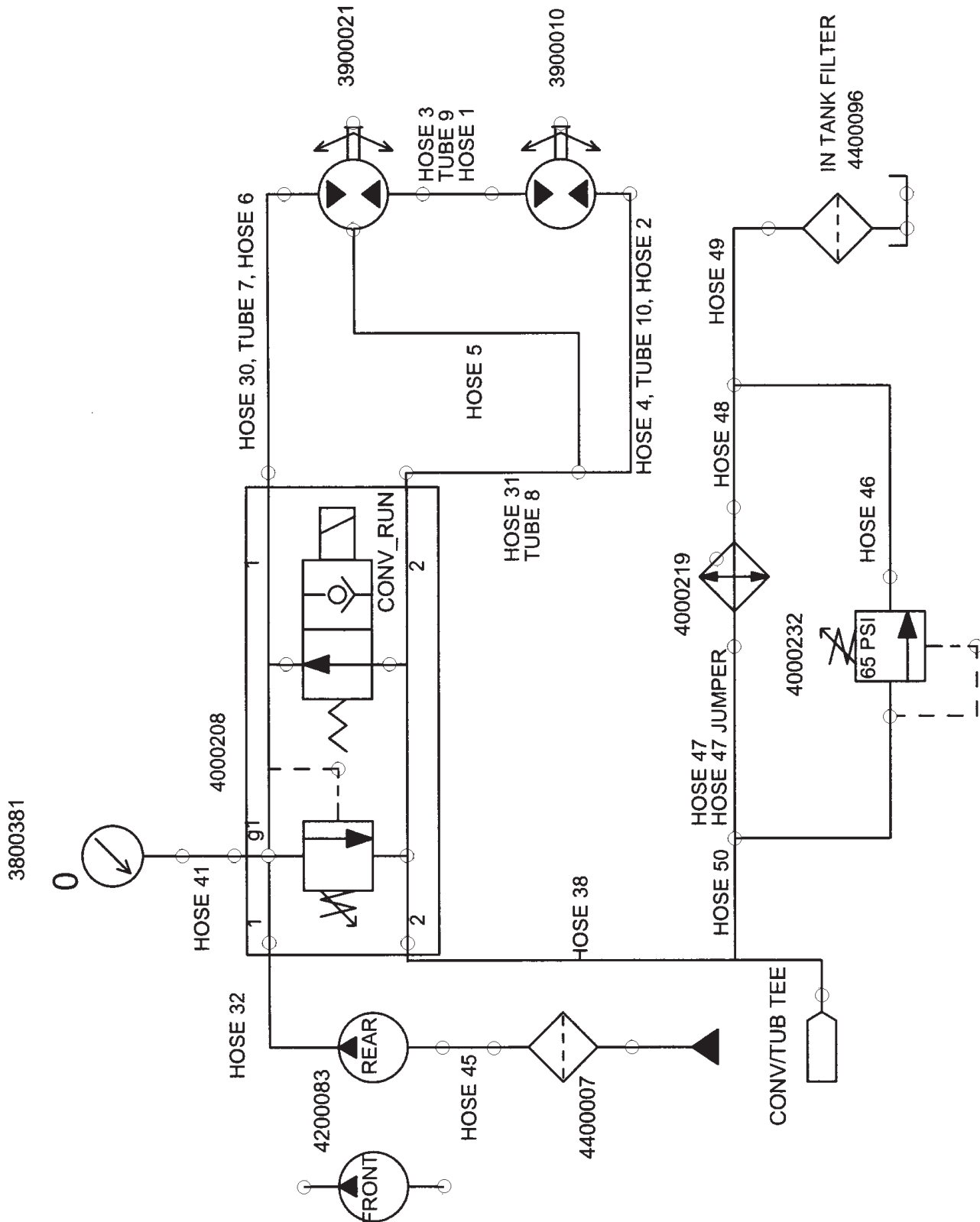
HYDRAULIC OIL TANK (S.N. 3130 & UP)



HYDRAULIC OIL TANK (S.N. 3130 & UP)

ITEM	PART	QTY.	PART DESCRIPTION
1	3800005	1	FTG\1/2MPI\CLOSE\NIPPLE
2	3800173	1	FTG\3/8MPI\PLUG\HEX
3	3800255	1	FTG\1-5/16MORX1/2FP
4	3800360	1	FTG\1/2MPI\PLUG\HEX
5	3800490	1	FTG\3/4MOR\PLUG\HEX
6	4000193	1	VALVE\BALL\1/2\LWBRS
7	4400043	2	FILTER\HYDRAULIC\RETURN\IN-TANK ELEMENT 4400074
	4400074		FLTR\ELMT\10MIC\INTANK (REPLACEMENT FILTER)
8	4400067	3	FLTR\SCRN\2-1/2MORX1-7/8FOR\30GPM\ST30-100-RV3
9	4400068	2	FLTR\SCRN\3-3/8MORX2-1/2FOR\50GPM\100MESH
10	4400071	1	VENTW\LOCK\CAP\HYD
11	4502256	1	CVR\LH\TANK\OIL
12	4502257	1	CVR\RH\TANK\OIL
13	4502258	1	CAP\TANK\OIL
14	4502262	2	PAD\TANK\HYD
15	4702287	1	SHIM\LATCH\SLAM\7GA
16	4703396	1	CAP\CLEAN-OUT\TANK\HYD
17	4703727	2	DOOR\SHLD\TUB
18	4704240	1	MNT\LIGHT\SVC
19	4704915	1	CVR\HOLE\ACCSS
20	4705126	1	CVR\GAUGE\LVL\TNK\OIL
21	4705307	1	TANK\OIL\3010
22	4800003	18	BOLT\HEX\3/8X1
23	4800024	10	BOLT\HEX\1/4X3/4
24	4800594	2	SCRIPAN\SLOT\#12X3/4\NC
25	4800914	8	BOLT\FLG\SERR\3/8X1-1/4\NC
26	4900002	2	NUT\HEX\3/8\NC
27	4900083	4	NUT\INSERT\3/8\LONG\0.15-0.312\(.418/CD)
28	4900146	2	NUT\TPLCK\#12\NC
29	5000001	16	WASH\FLAT\3/8
30	5000019	6	WASH\LOCK\3/8
31	5000024	10	WASH\LOCK\1/4
32	5000108	2	WASH\FLAT\#12
33	7500615	1	GAUGE\LEVEL\10\W/THERMOMETER
34	7500688	1	LATCH\SLAM\HEX\2100H
	4703503		HYDIASSY\3010
	4704766		TANK\ASSY\HYD\3010T

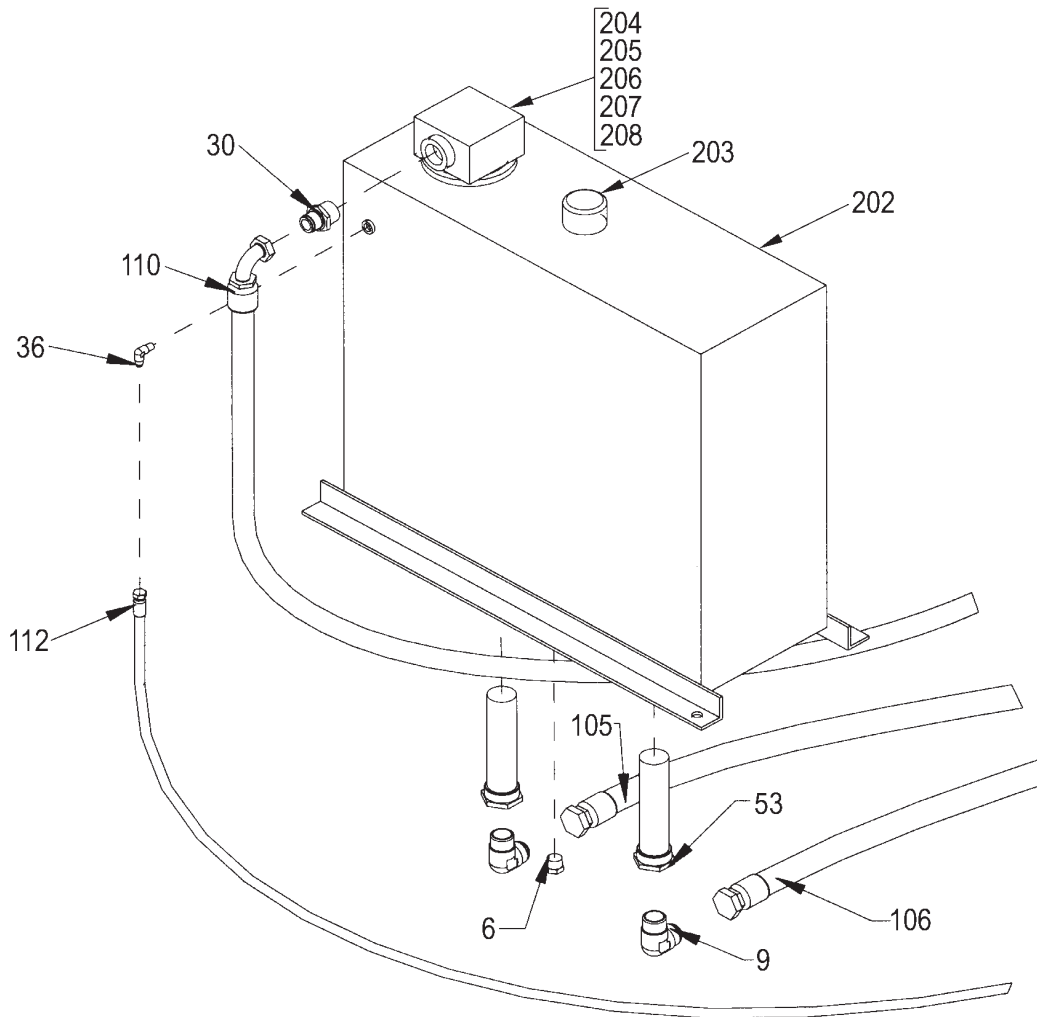
CONVEYOR HYDRAULIC CIRCUIT



TUB HYDRAULIC CIRCUIT - SEE FOLD OUTS PAGE FO-1 IN APPENDIX A AT THE END OF THE MANUAL

TUB COVER AND HYDRAULIC JACK HYDRAULIC CIRCUITS - SEE FOLD OUTS PAGE FO-2 IN APPENDIX A AT THE END OF THE MANUAL

HYDRAULIC OIL TANK WITH HOSES AND FITTINGS (S.N. UP TO 3129)

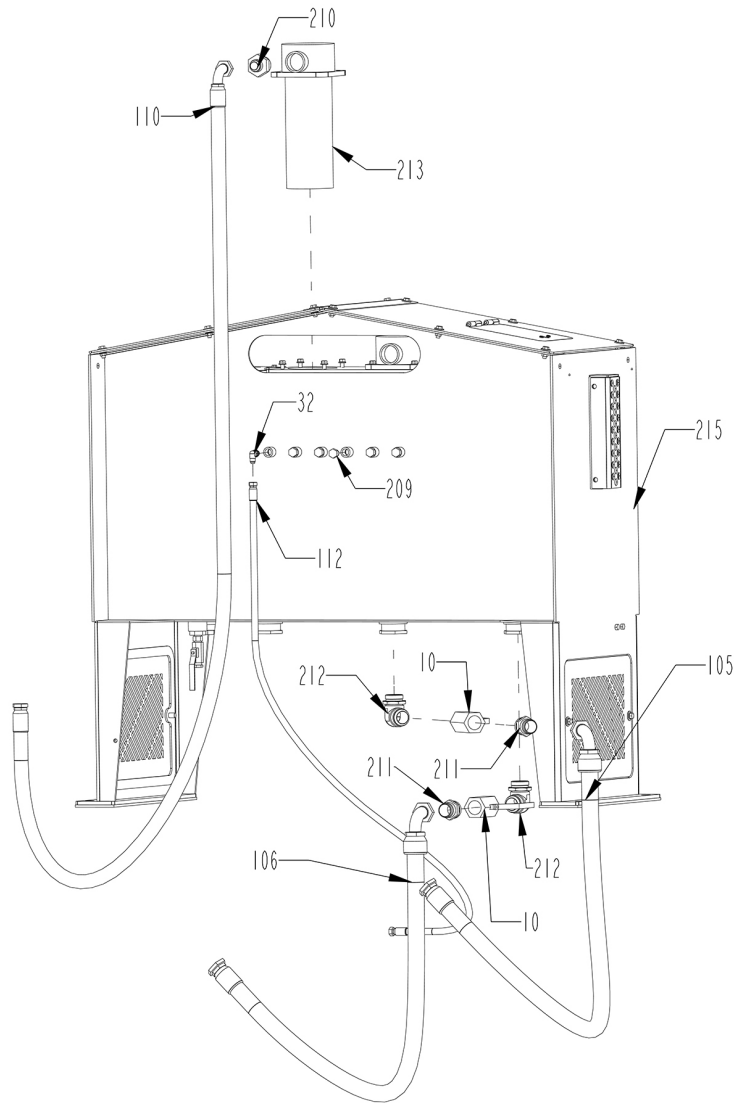


ITEM	PART	QTY.	PART DESCRIPTION
6	3800441	1	FTG\3/4MP\PLUG\HEX
9	3800468	2	FTG\1-5/8MJICX1-1/4MP\90
30	3800737	1	FTG\1-5/16MJICX1-1/4MP\ST\SOLID
36	3800764	1	FTG\9/16MJICX3/8MP\90
53	4400007	2	FLTR\SCRN\2MPX1-1/4FP\25GPM
105	3700841		HOSE\HYD\SUCT\1-1/4X113\1-5/8FJCX1-5/16FJC
106	3700841		HOSE\HYD\SUCT\1-1/4X113\1-5/8FJCX1-5/16FJC
110	3700754		HOSE\HYD\SUCT\1X124\1-5/16FJCX1-5/16FJC90
112	3701556		HOSE\HYD\3/8X252\9/16FJICS

Not Shown

202	4703541		TANK\OIL\ASSY
203	7501132		CAP\FILLER\BREATHER
204	7501125		FILTER\ASSY\COMPLETE
205	4400096		FLTR\ELMT\10MICRON\INTANK
206	7501119		ORING\FILTER\TANK
207	7501120		SEAL\TETRA\TANK
208	4400066		GAUGE\FILTER\25PSI\1/8MPT
	7500997		GAUGE\LEVEL\5\M12

HYDRAULIC OIL TANK WITH HOSES AND FITTINGS (S.N. 3130 & UP)



ITEM	PART	QTY.	PART DESCRIPTION
105	3701544	1	HOSE\HYD\1-1/4X92\1-5/8FJICX1/5/8FJIC\90 TANK TO GEAR PUMP SUCTION PORT
106	3701545	1	HOSE\HYD\1-1/4X74\1-5/8FJICX1/5/8FJIC\90 TANK TO GEAR PUMP SUCTION PORT
110	3701548	1	HOSE\HYD\1X154\1-5/16FJICX1-5/16FJIC\90 COOLER BULKHEAD TO TANK FILTER
112	3700734	1	HOSE\HYD\3/8X112\9/16FJIC TUB DRIVE CASE DRAIN TO TANK PORT
10	3800740	2	VALVE\BALL\1-1/2\1-7/8FOR\1/4 TURN\W/LOCK
32	3800757	1	FTG\9/16MORX9/16MJIC\90
209	3800490	5	FTG\3/4MOR\PLUG\HEX
210	3800801	1	FTG\1-7/8MORX1-5/16MJIC\ST
211	3800808	2	FTG\1-7/8MORX1-5/8MJIC\ST
212	3800928	2	FTG\1-7/8MORX1-7/8MOR\90
213	4400043	2	FILTER\HYDRAULIC\RETURN\IN-TANK ELEMENT 4400074
213A	4400074		FLTR\ELMT\10MICRON\INTANK (REPLACEMENT FILTER)
215	4705307	1	TANK\OIL\3010

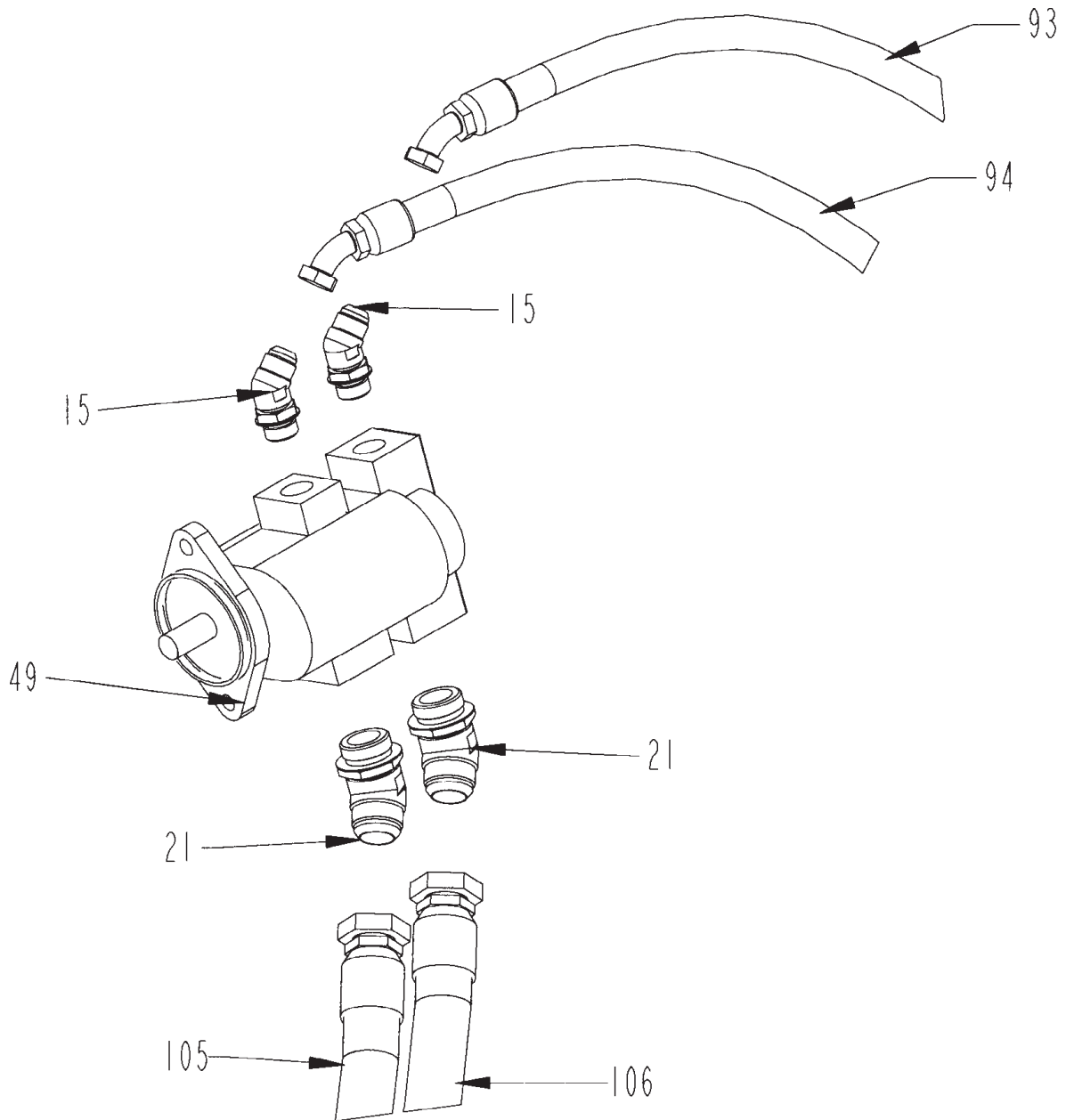
HYDRAULIC PUMP WITH HOSES AND FITTINGS

ITEM	PART	QTY.	PART DESCRIPTION
15	3800532	4	FTG\1-1/16MORX1-1/16MJIC\45
21	3800581	2	FTG\1-5/8MORX1-5/8MJIC\45
49	4200083	1	PUMP\HYD\25\20\2.33X1.78
93	3700893	1	HOSE\HYD\3\4X148\1-1/16FJX1-1/16FJC45DEG
94	3700701	1	HOSE\HYD\3\4X117\1-1/16FJ
105	3700841	1	HOSE\HYD\SUCT\1-1/4X113\1-5/8FJCX1-5/16FJC (for sn up to 3129)
105a	3701544	1	HOSE\HYD\1-1/4X92\1-5/8FJICX1/5/8FJIC\90 (for sn 3130 & up) PUMP TO HYDAULIC TANK
106	3700841	1	HOSE\HYD\SUCT\1-1/4X113\1-5/8FJCX1-5/16FJC (for sn up to 3129)
106a	3701545	1	HOSE\HYD\1-1/4X74\1-5/8FJICX1/5/8FJIC\90 (for sn 3130 & up) PUMP TO HYDAULIC TANK

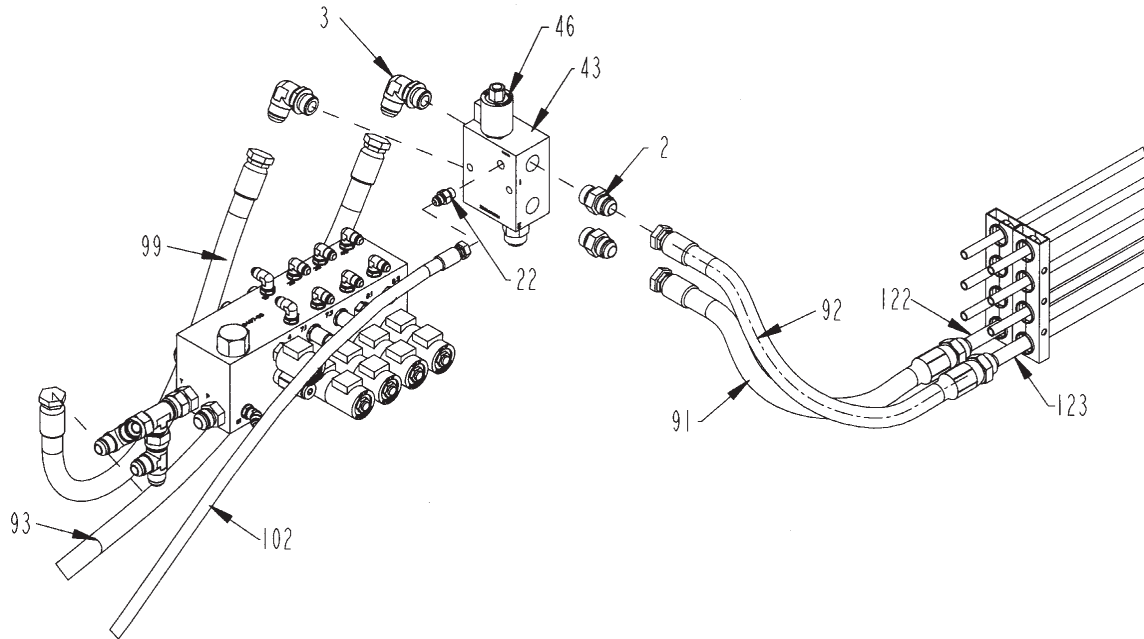
NOT SHOWN

4200138

SEAL\FLG\PUMP



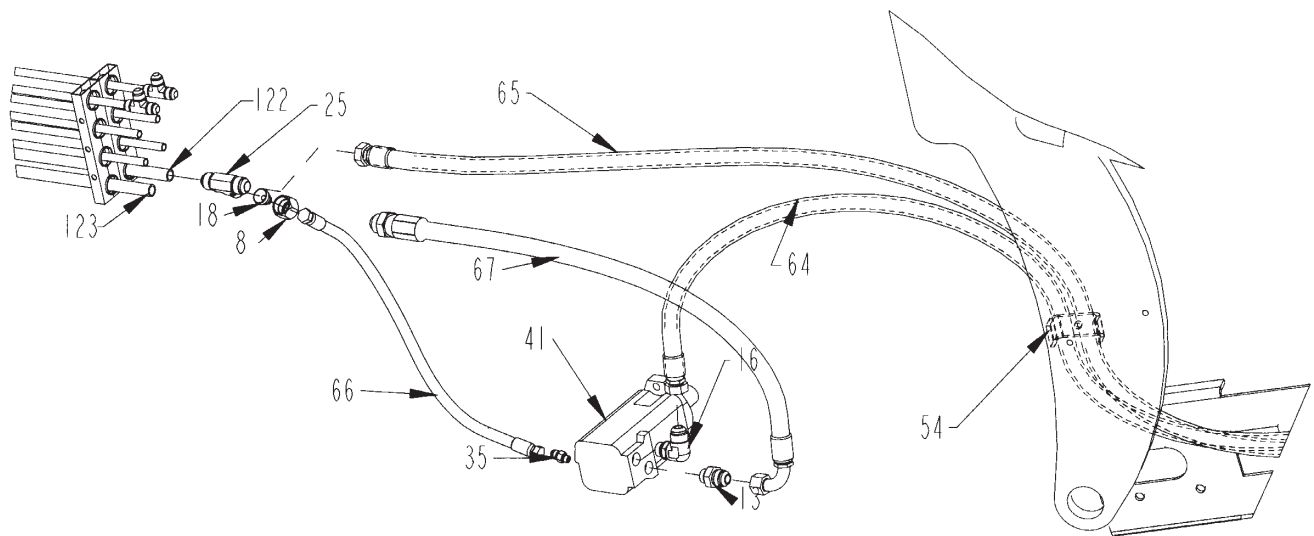
CONVEYOR RUN VALVE WITH HOSES AND FITTINGS



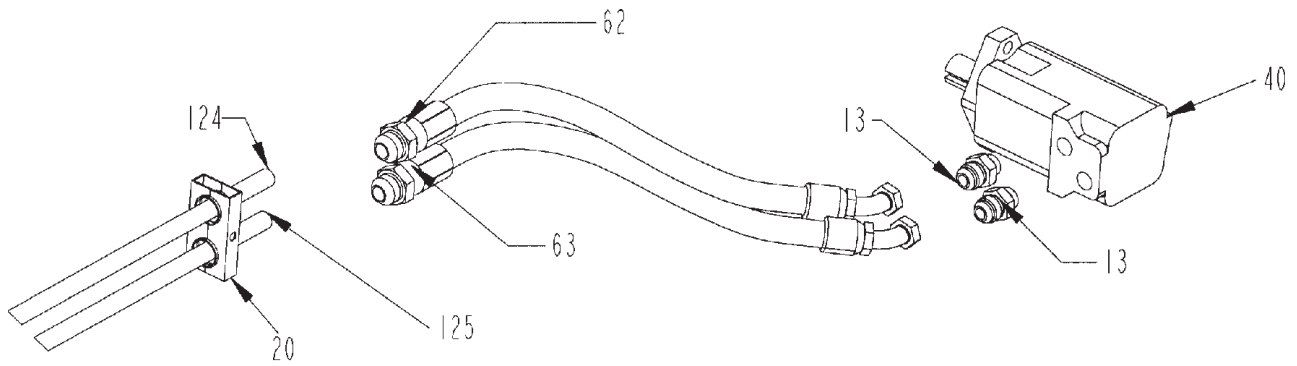
ITEM	PART	QTY.	PART DESCRIPTION
2	3800277	4	FTG\1-1/16MORX1-1/16MJIC\ST
3	3800279	5	FTG\1-1/16MORX1-1/16MJIC\90
22	3800631	2	FTG\9/16MORX9/16MJIC\ST
43	4000208	1	VLV\HYD\CNVYR\BLK\MFLD
46	4000229	12	VALVE\HYD\SOL\24V\635\W/D\WPEND
91	3700689		HOSE\HYD\3/4X36\1-1/16MJCX1-1/16FJC
92	3700690		HOSE\HYD\3/4X40\1-1/16MJCX1-1/16FJC
93	3700893		HOSE\HYD\3/4X148\1-1/16FJX1-1/16FJC45DEG
99	3700912		HOSE\HYD\3/4X32\1-1/16FJCX1-1/16FJC
102	3701542		HOSE\HYD\3/8X204\9/16FJICS (for sn up to 3129)
102a	3701553		HOSE\HYD\3/8X35\9/16FJICS (for sn 3130 & up) CONVEYOR RUN VALVE TO PRESSURE GAUGE
122	3700685		TUBE\STL\3/4X78\FJCFJC
123	3700685		TUBE\STL\3/4X78\FJCFJC

BELLY CONVEYOR MOTOR WITH HOSES AND FITTINGS

ITEM	PART	QTY.	PART DESCRIPTION
8	3800462	1	FTG\1-1/16NUTFJICS
13	3800527	3	FTG\7/8MORX1-1/16MJIC\ST
16	3800535	1	FTG\7/8MORX1-1/16MJIC\90
18	3800542	1	FTG\1-1/16FJICX9/16MJIC\ADPT
25	3800723	1	FTG\1-1/16MJICX1-1/16MJICX1-1/16MJIC\TEE
35	3800763	1	FTG\7/16MORX9/16MJIC\ST
41	3900021	1	MTR\HYD\8\2000
54	4500893	5	CLMP\HOSE\3/4
64	3700677		HYD\3/4X157\1-1/16MJCX1-1/16FJIC
65	3700678		HOSE\HYD\3/4X171\1-1/16MJICX1-1/16FJIC
66	3700898		HOSE\HYD\3/8X36\9/16FJICS
67	3700899		HOSE\HYD\3/4X46\1-1/16MJICX1-1/16FJIC\90
122	3700685		TUBE\STL\3/4X78\FJICXFJC
123	3700685		TUBE\STL\3/4X78\FJICXFJC



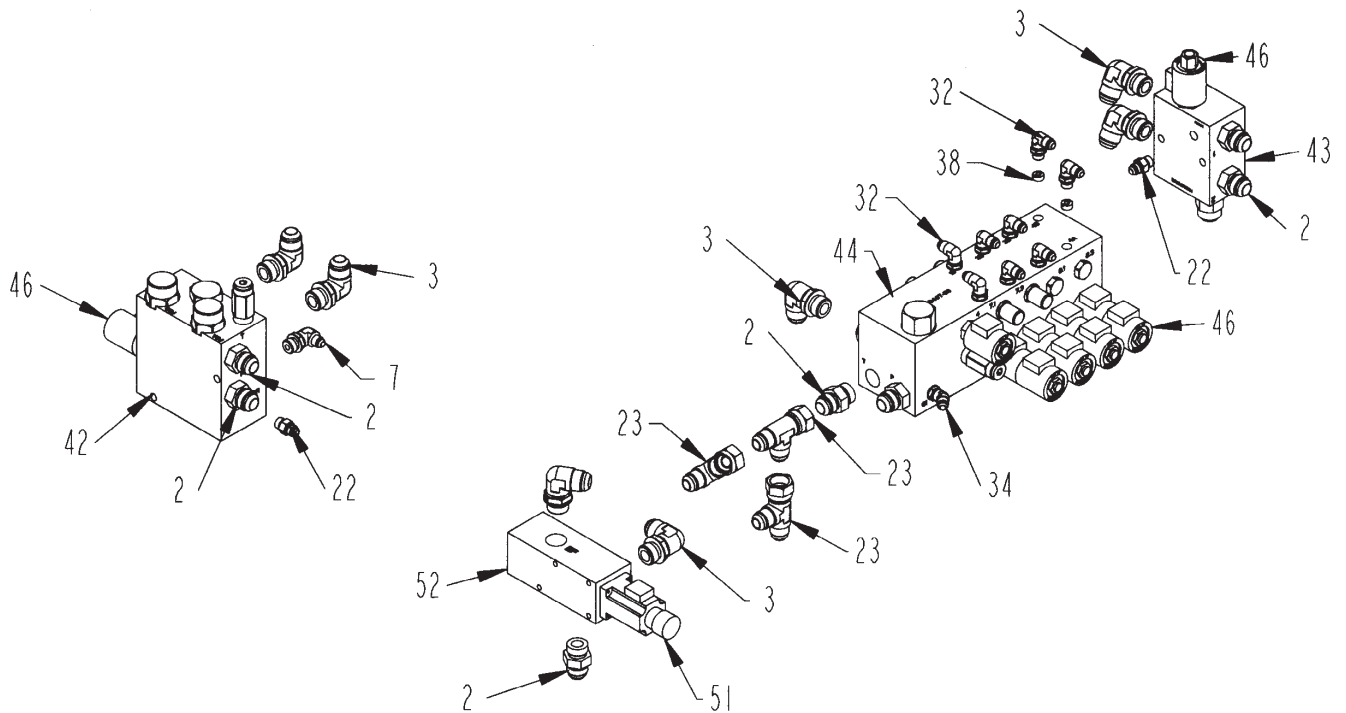
DISCHARGE CONVEYOR MOTOR WITH HOSES AND FITTINGS



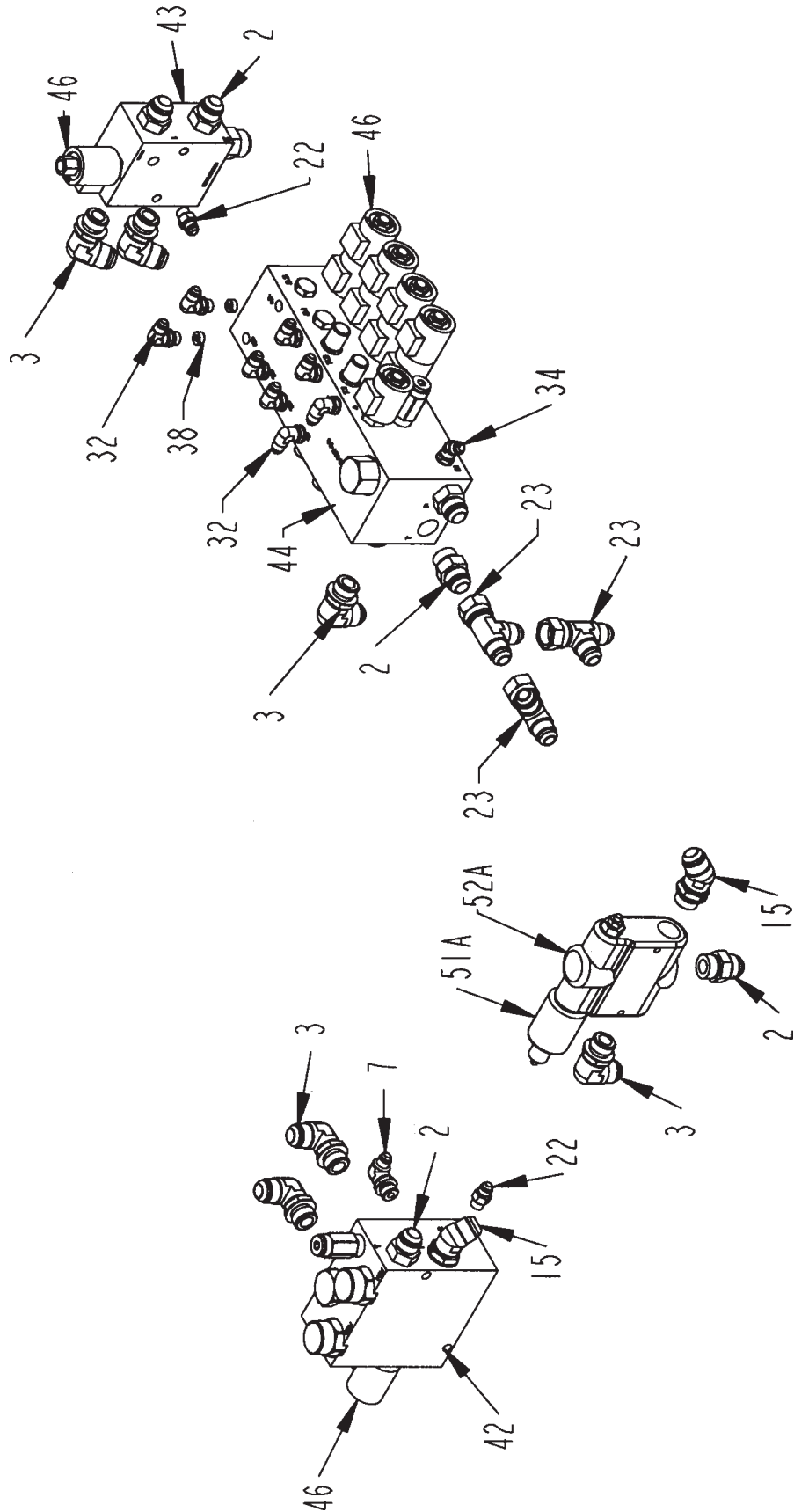
ITEM	PART	QTY.	PART DESCRIPTION
13	3800527	2	FTG\7/8MORX1-1/16MJIC\ST
20	3800552	10	CLAMP\HOSE\1-1/4\2HOLES
40	3900010	1	MTR\HYD\24\2000\SAE;A;2-BOLT\7/8FOR
62	3700896		HOSE\HYD\3/4X24\1-1/16MJCX1-1/16FJC45
63	3700897		HOSE\HYD\3/4X25\1-1/16MJCX1-1/16FJC45
124	3700761		TUBE\STL\3/4X182\1-1/16FJC
125	3700761		TUBE\STL\3/4X182\1-1/16FJC

AUXILIARY VALVE FITTINGS (S.N. THRU 3089)

ITEM	PART	QTY.	PART DESCRIPTION
2	3800277	9	FTG\1-1/16MORX1-1/16MJIC\ST
3	3800279	7	FTG\1-1/16MORX1-1/16MJIC\90
7	3800453	11	FTG\3/4MORX9/16MJIC\90
22	3800631	2	FTG\9/16MORX9/16MJIC\ST
23	3800670	3	FTG\1-1/16FJICX1-1/16MJICX1-1/16MJIC\RUN;TEE
32	3800757	8	FTG\9/16MORX9/16MJIC\90
34	3800760	1	FTG\9/16MORX9/16MJIC\45
38	3800770	2	FTG\9/16MOR\ORFC\0.0225"
42	4000207	1	VLV\HYD\TUB\BLK\MFLD
43	4000208	1	VLV\HYD\CNVYR\BLK\MFLD
44	4000210	1	VLV\HYD\AUX\BLK\MFLD
46	4000229	1	VALVE\HYD\SOL\24V\635\W/D\WPEND
51	4300054	1	VALVE\SOLENOID\24V\JEMM
52	4300069	1	VALVE\SERVO\25GPM\24VDC\



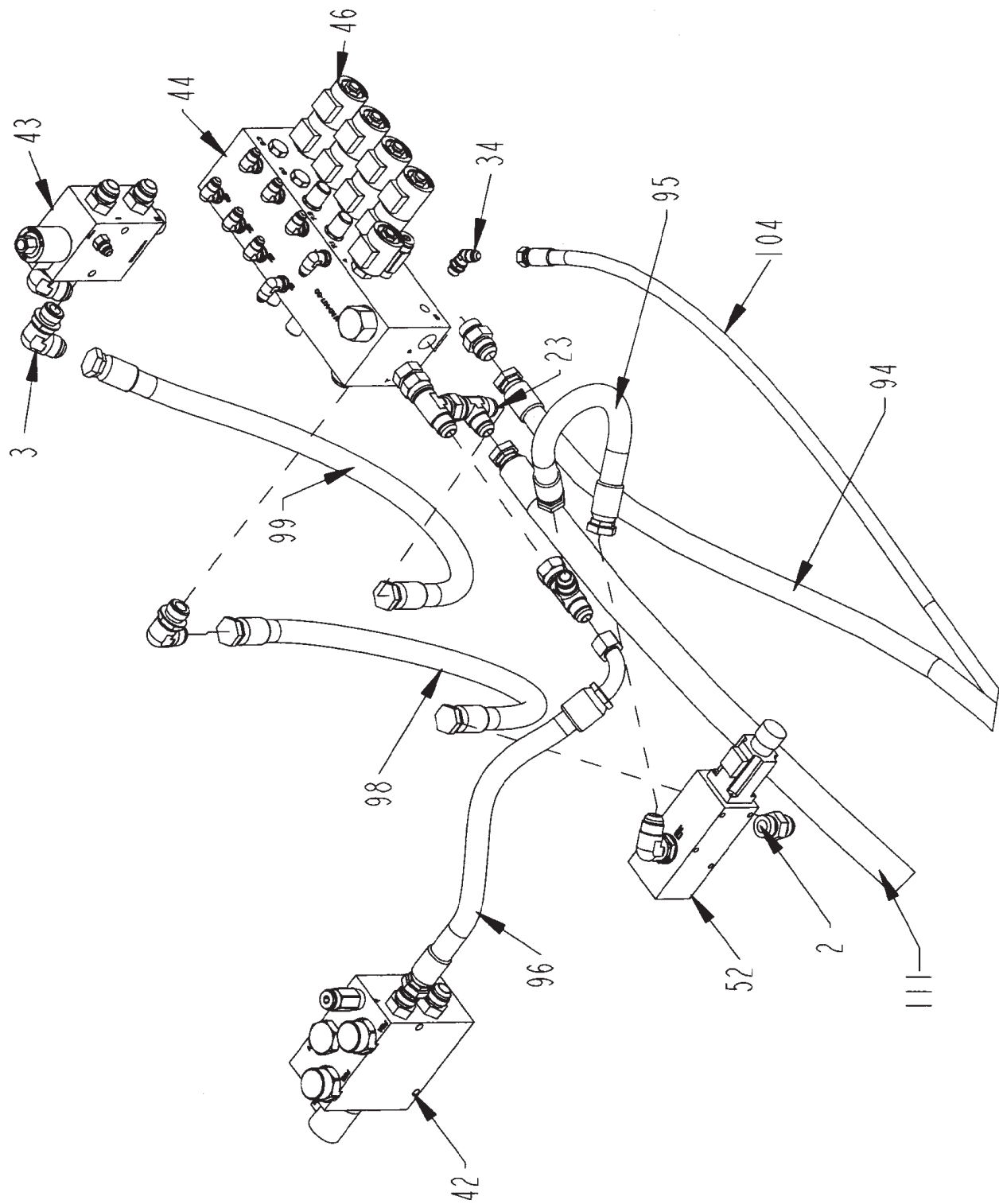
AUXILIARY VALVE FITTINGS (S.N. 3090 & UP)



AUXILIARY VALVE FITTINGS (S.N. 3090 & UP)

ITEM	PART	QTY.	PART DESCRIPTION
2	3800277	6	FTG\1-1/16MORX1-1/16MJIC\ST
3	3800279	5	FTG\1-1/16MORX1-1/16MJIC\90
7	3800453	11	FTG\3/4MORX9/16MJIC\90
15	3800532	4	FTG\1-1/16MORX1-1/16MJIC\45
22	3800631	2	FTG\9/16MORX9/16MJIC\ST
23	3800670	3	FTG\1-1/16FJICX1-1/16MJICX1-1/16MJIC\RUN;TEE
32	3800757	8	FTG\9/16MORX9/16MJIC\90
34	3800760	1	FTG\9/16MORX9/16MJIC\45
38	3800770	2	FTG\9/16MOR\ORFC\0225"
42	4000207	1	VLV\HYD\TUB\BLK\MFLD
43	4000208	1	VLV\HYD\CNVYR\BLK\MFLD
44	4000210	1	VLV\HYD\AUX\BLK\MFLD
46	4000229		VALVE\HYD\SOL\24V\635\W/D\WPEND
51A	4300074		VALVE\SOLENOID\24V\BRAND S/N 0167 & UP
52A	4300072	1	VALVE\SERVO\30GPM\24VOLT S/N 0167 & UP

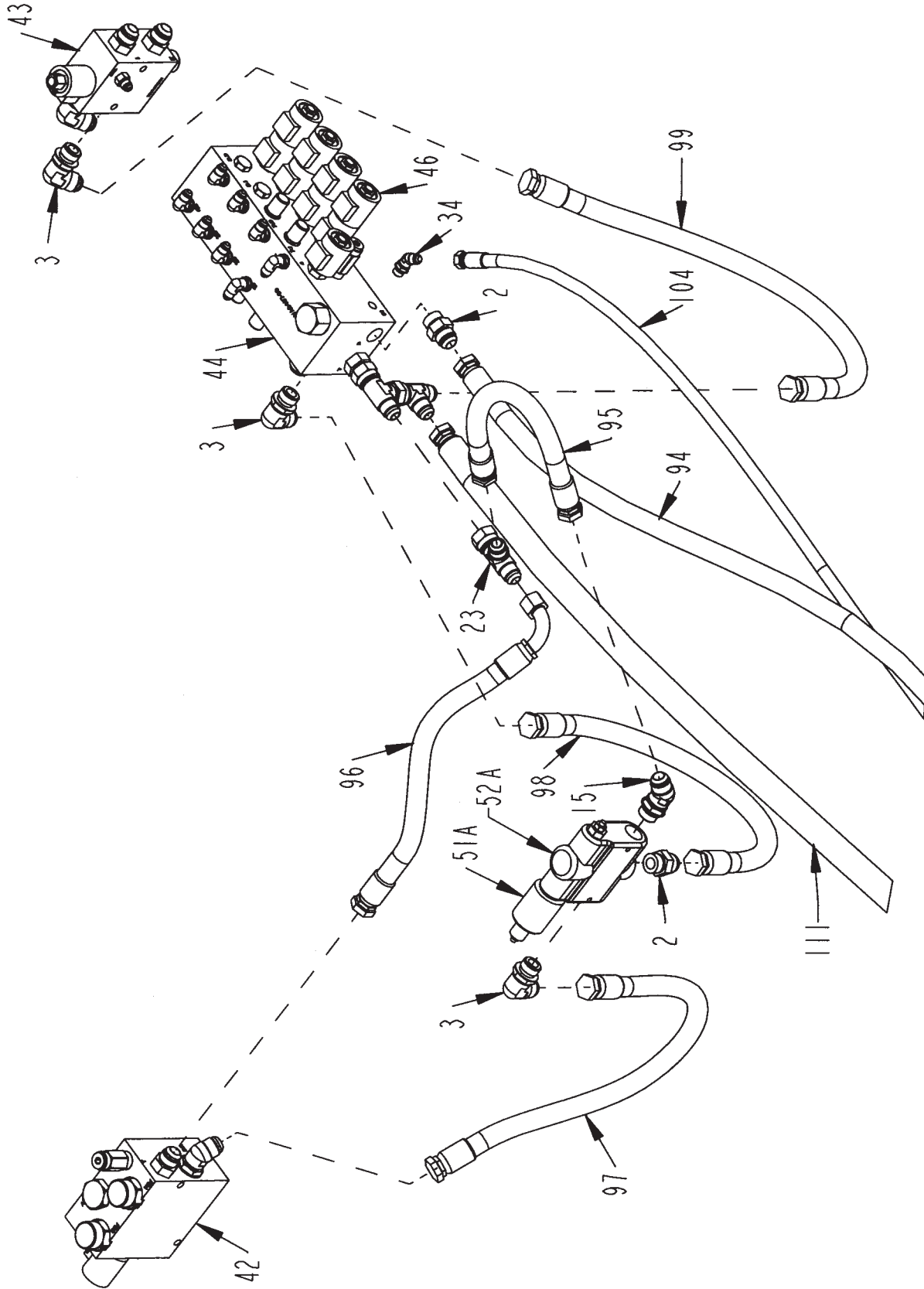
AUXILIARY VALVE SUPPLY HOSES AND FITTINGS (S.N. THRU 3089)



AUXILIARY VALVE SUPPLY HOSES AND FITTINGS (S.N. THRU 3089)

ITEM	PART	QTY.	PART DESCRIPTION
2	3800277	9	FTG\1-1/16MORX1-1/16MJIC\ST
3	3800279	5	FTG\1-1/16MORX1-1/16MJIC\90
23	3800670	3	FTG\1-1/16FJICX1-1/16MJICX1-1/16MJIC\RUN;TEE
34	3800760	1	FTG\9/16MORX9/16MJIC\45
42	4000207	1	VLV\HYD\TUB\BLK\MFLD
43	4000208	1	VLV\HYD\CNVYR\BLK\MFLD
44	4000210	1	VLV\HYD\AUX\BLK\MFLD
46	4000229	12	VALVE\HYD\SOL\24V\635\W/D\WPEND
51	4300054	1	VALVE\SOLENOID\24V\JEMM
52	4300069	1	VALVE\SERVO\25GPM\24VDC\
94	HOSE_33_1150		
95	HOSE_34_1150		
96	HOSE_35_1150		
98	HOSE_37_1150		
99	HOSE_38_1150		
104	HOSE_43_1150		
111	HOSE_50_1150		

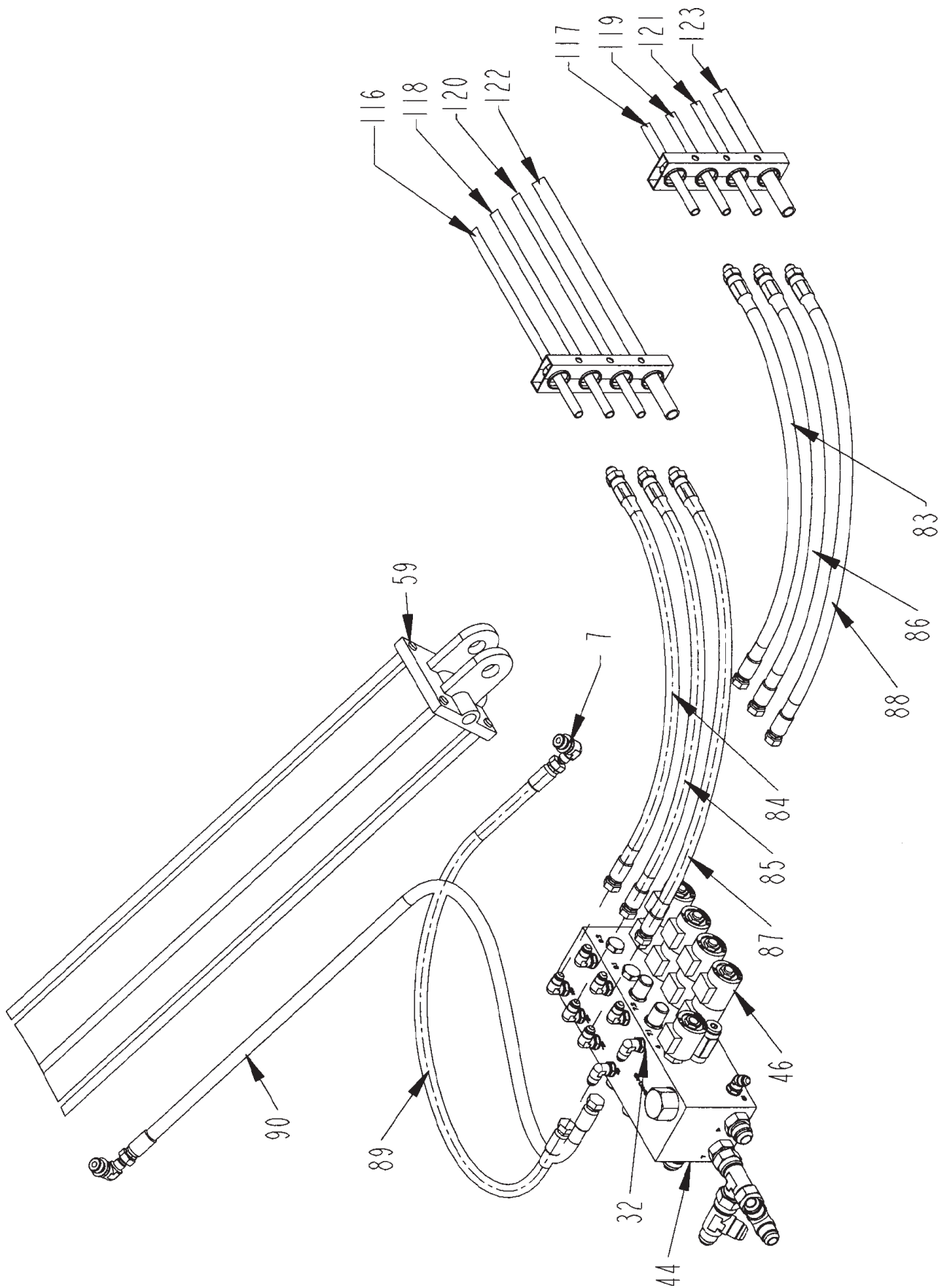
AUXILIARY VALVE SUPPLY HOSES AND FITTINGS (S.N. 3090 & UP)



AUXILIARY VALVE SUPPLY HOSES AND FITTINGS (S.N. 3090 & UP)

ITEM	PART	QTY.	PART DESCRIPTION
2	3800277	6	FTG\1-1/16MORX1-1/16MJIC\ST
3	3800279	5	FTG\1-1/16MORX1-1/16MJIC\90
15	3800532	4	FTG\1-1/16MORX1-1/16MJIC\45
23	3800670	3	FTG\1-1/16FJICX1-1/16MJICX1-1/16MJIC\RUN;TEE
34	3800760	1	FTG\9/16MORX9/16MJIC\45
42	4000207	1	VLV\HYD\TUB\BLK\MFLD
43	4000208	1	VLV\HYD\CNVYR\BLK\MFLD
44	4000210	1	VLV\HYD\AUX\BLK\MFLD
46	4000229	12	VALVE\HYD\SOL\24V\635\W/D\WPEND
51A	4300074	1	VALVE\SOLENOID\24V\BRAND S/N 0167 & UP
52A	4300072	1	VALVE\SERVO\30GPM\24VOLT S/N 0167 & UP
94	3700701		HOSE\HYD\3/4X117\1-1/16FJ
95	3700908		HOSE\HYD\3/4X21\1-1/16FJCX1-1/16FJC
96	3700909		HOSE\HYD\3/4X21\1-1/16FJC90X1-1/16FJC
97	3700910		HOSE\HYD\3/4X23\1-1/16FJCX1-1/16FJC
98	3700911		HOSE\HYD\3/4X34\1-1/16FJCX1-1/16FJC
99	3700912		HOSE\HYD\3/4X32\1-1/16FJCX1-1/16FJC
104	3700841		HOSE\HYD\SUCT\1-1/4X113\1-5/8FJCX1-5/16FJC
111	3701549		HOSE\HYD\1X156\1-5/16FJICX1-5/16FJIC\45

AUXILIARY VALVE WORK HOSES AND FITTINGS



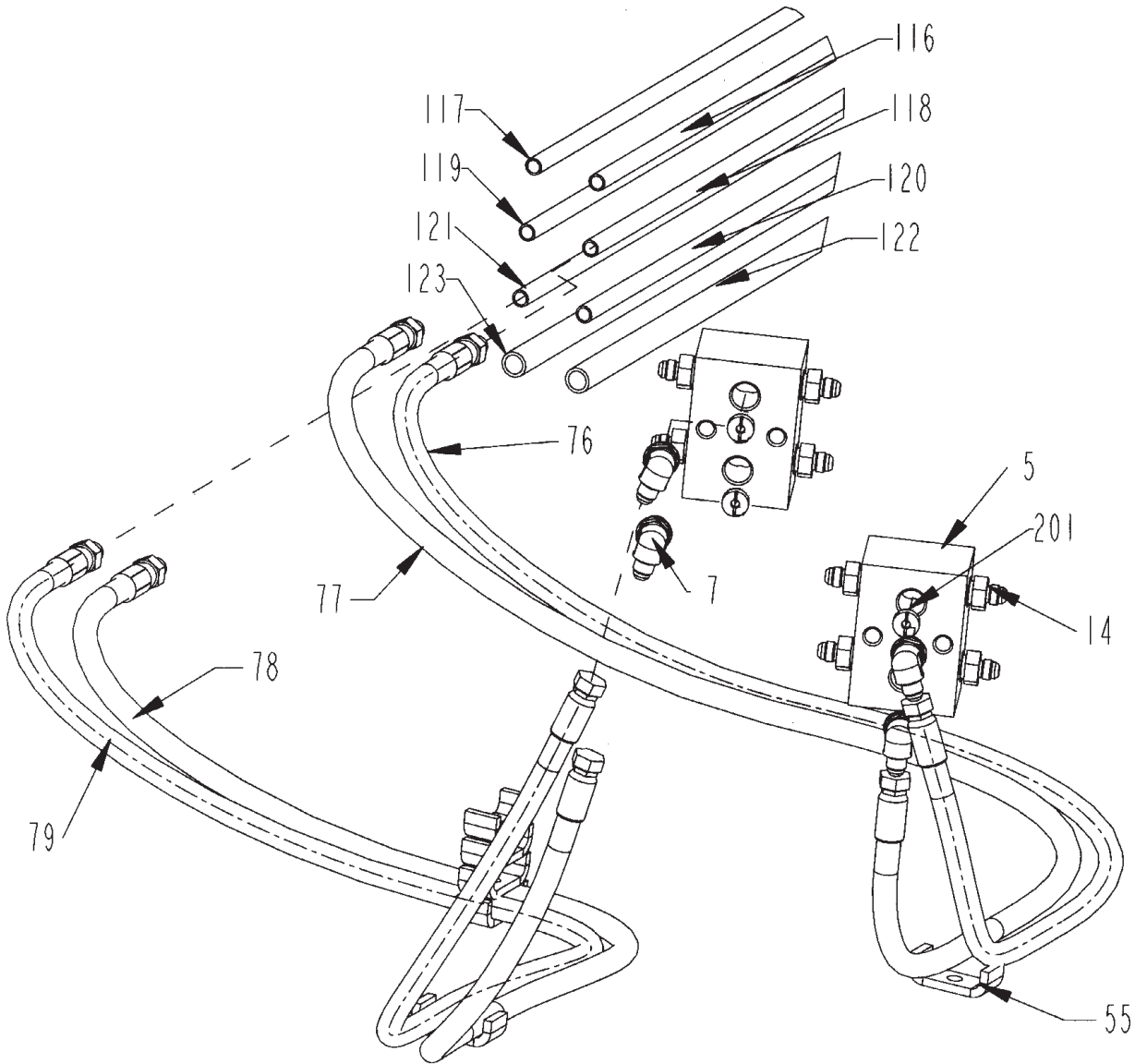
AUXILIARY VALVE WORK HOSES AND FITTINGS

ITEM	PART	QTY.	PART DESCRIPTION
7	3800453	11	FTG\3/4MORX9/16MJIC\90
32	3800757	8	FTG\9/16MORX9/16MJIC\90
44	4000210	1	VLV\HYD\AUX\BLK\MFLD
46	4000229	12	VALVE\HYD\SOL\24V\635\W/D\WPEND
59	4100234	1	CYL\HYD\4-1/2X30\1-3/4--CANADIAN TOOL & DIE
59A	4100332		CYL\HYD\4-1/2X30\1-3/4-RAM INDUSTRIES
83	3700901		HOSE\HYD\3/8X27\3/4MJCX9/16FJIC>
84	3700890		HOSE\HYD\3/8X28\3/4MJCX9/16FJC
85	3700767		HOSE\HYD\3/8X30\3/4MJCX9/16FJC
86	3700768		HOSE\HYD\3/8X29\3/4MJCX9/16FJC
87	3700902		HYD\HOSE\3/8X31\3/4MJICX9/16FJIC>
88	3700767		HOSE\HYD\3/8X30\3/4MJCX9/16FJC
89	3700903		HOSE\HYD\3/8X55\9/16FJIC
90	3700903		HOSE\HYD\3/8X55\9/16FJIC
116	3700764		TUBE\STL\1/2X78\FJCFJC
117	3700764		TUBE\STL\1/2X78\FJCFJC
118	3700764		TUBE\STL\1/2X78\FJCFJC
119	3700764		TUBE\STL\1/2X78\FJCFJC
120	3700764		TUBE\STL\1/2X78\FJCFJC
121	3700764		TUBE\STL\1/2X78\FJCFJC
122	3700685		TUBE\STL\3/4X78\FJCFJC
123	3700685		TUBE\STL\3/4X78\FJCFJC

Not Shown

4500737	STOP\CYL\PLATFORM
4800046	PIN\CLEVIS\3/4X3
4800107	PIN\HAIR\1/8

MANIFOLD BLOCK VALVE WITH HOSES AND FITTINGS



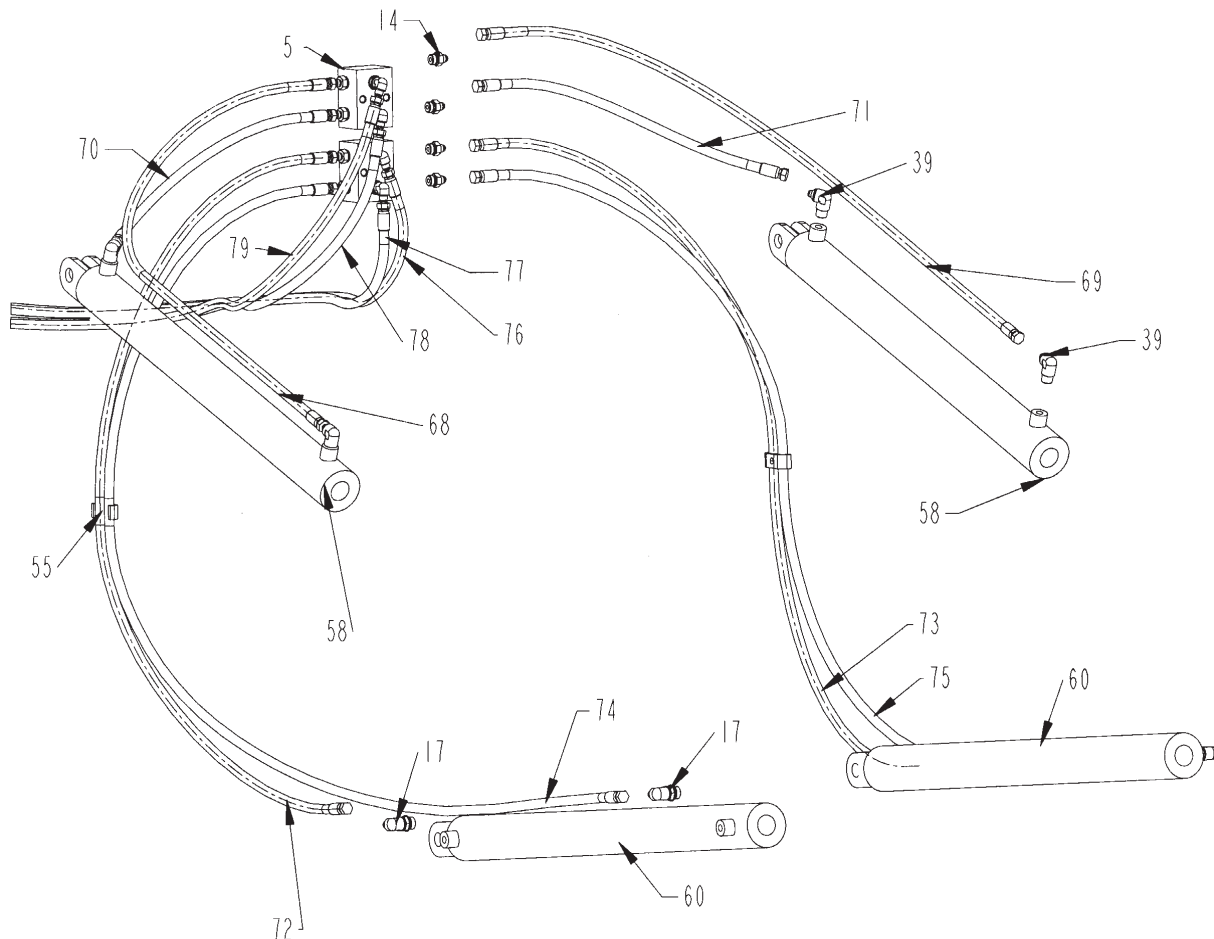
ITEM	PART	QTY.	PART DESCRIPTION
5	3800428	2	MNFLD\DBL;TEE\BLK\3/4FOR
7	3800453	11	FTG\3/4MORX9/16MJIC\90
14	3800530	8	FTG\3/4MORX9/16MJIC\ST
55	4700776	8	CLMP\HOSE\3/8
76	3700766		HOSE\HYD\3/8X78\3/4MJCX9/16FJC
77	3700766		HOSE\HYD\3/8X78\3/4MJCX9/16FJC
78	3700766		HOSE\HYD\3/8X78\3/4MJCX9/16FJC
79	3700766		HOSE\HYD\3/8X78\3/4MJCX9/16FJC
116	3700764		TUBE\STL\1/2X78\FJCFJC
117	3700764		TUBE\STL\1/2X78\FJCFJC
118	3700764		TUBE\STL\1/2X78\FJCFJC
119	3700764		TUBE\STL\1/2X78\FJCFJC
120	3700764		TUBE\STL\1/2X78\FJCFJC
121	3700764		TUBE\STL\1/2X78\FJCFJC
122	3700685		TUBE\STL\3/4X78\FJCFJC
123	3700685		TUBE\STL\3/4X78\FJCFJC

LIFT & FOLD HYDRAULIC CYLINDERS WITH HOSES AND FITTINGS

ITEM	PART	QTY.	PART DESCRIPTION
5	3800428	2	MNFLD\DBL;TEE\BLK\3/4FOR
7	3800453	11	FTG\3/4MORX9\16MJIC\90
14	3800530	8	FTG\3/4MORX9\16MJIC\ST
17	3800538	4	FTG\7/8MORX9\16MJIC\90
39	3800773	4	FTG\9\16MJICX1\2MP\90
39A	3800453	4	FTG\3/4MORX9\16MJIC\90D
55	4700776	8	CLMP\HOSE\3/8
58	4100086	2	CYL\HYD\3X30X1-1/2\WLD
58A	4100218	2	CYL\HYD\3X30\1-1/2ROD\7/8FOR\PARALLEL
60	4100175	2	CYL\HYD\3X36\PARALLEL\7/8FOR
68	3700765		HOSE\HYD\3/8X62\9\16FJICS
69	3700765		HOSE\HYD\3/8X62\9\16FJICS
70	3700895		HOSE\HYD\3/8X30\9\16FJICS
71	3700895		HOSE\HYD\3/8X30\9\16FJICS
72	3700759		HOSE\HYD\3/8X74\9\16FJICS
73	3700759		HOSE\HYD\3/8X74\9\16FJICS
74	3700760		HOSE\HYD\3/8X108\9\16FJICS
75	3700760		HOSE\HYD\3/8X108\9\16FJICS
76	3700766		HOSE\HYD\3/8X78\3/4MJCX9\16FJC
77	3700766		HOSE\HYD\3/8X78\3/4MJCX9\16FJC
78	3700766		HOSE\HYD\3/8X78\3/4MJCX9\16FJC
79	3700766		HOSE\HYD\3/8X78\3/4MJCX9\16FJC

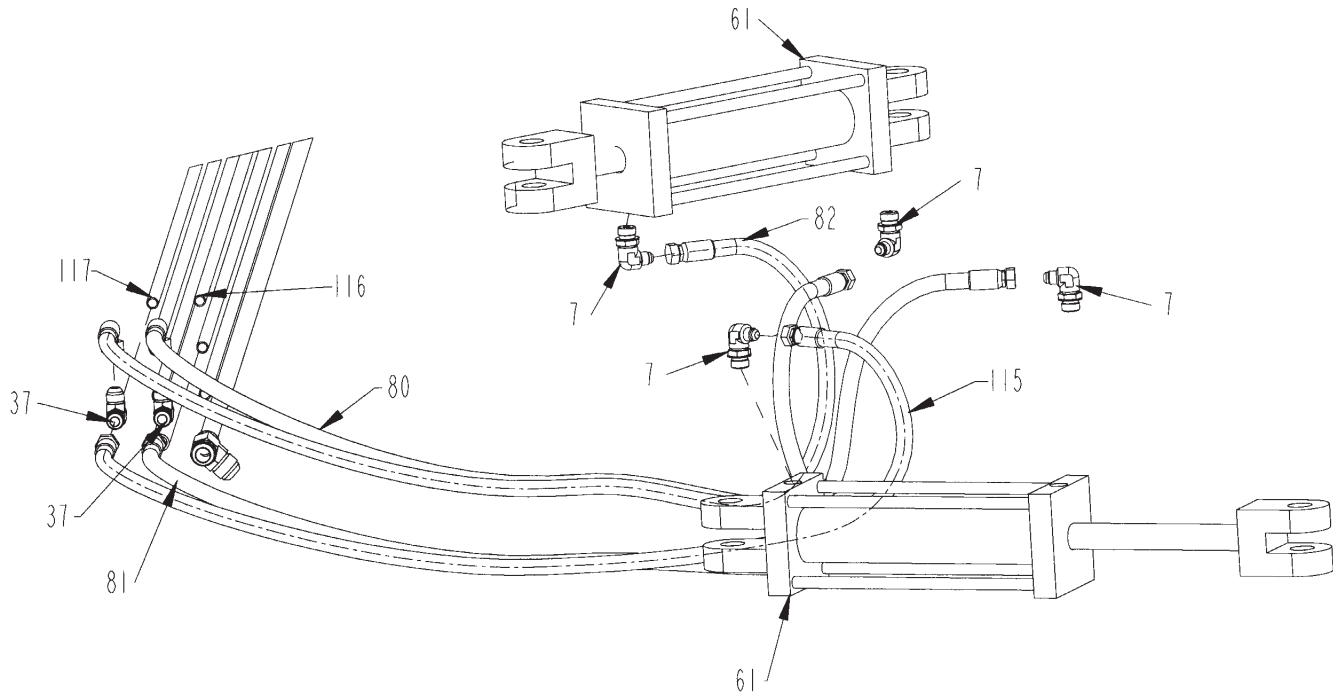
NOT SHOWN
3801016

8 FTG\7/8MOR\ORIFICE\0.052



3010 TUB GRINDER PARTS REFERENCE

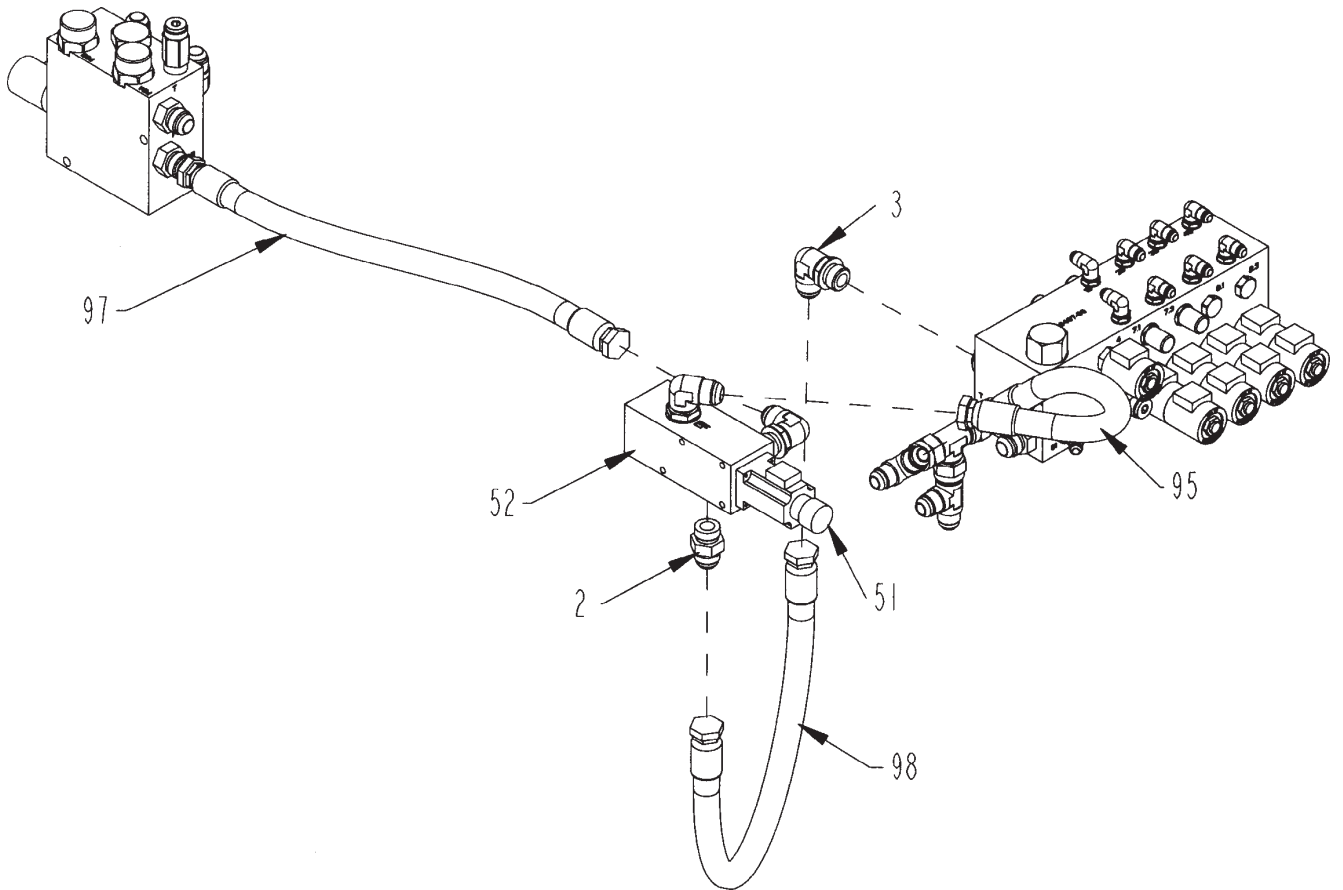
CONVEYOR SWING HYDRAULIC CYLINDER WITH HOSES AND FITTINGS



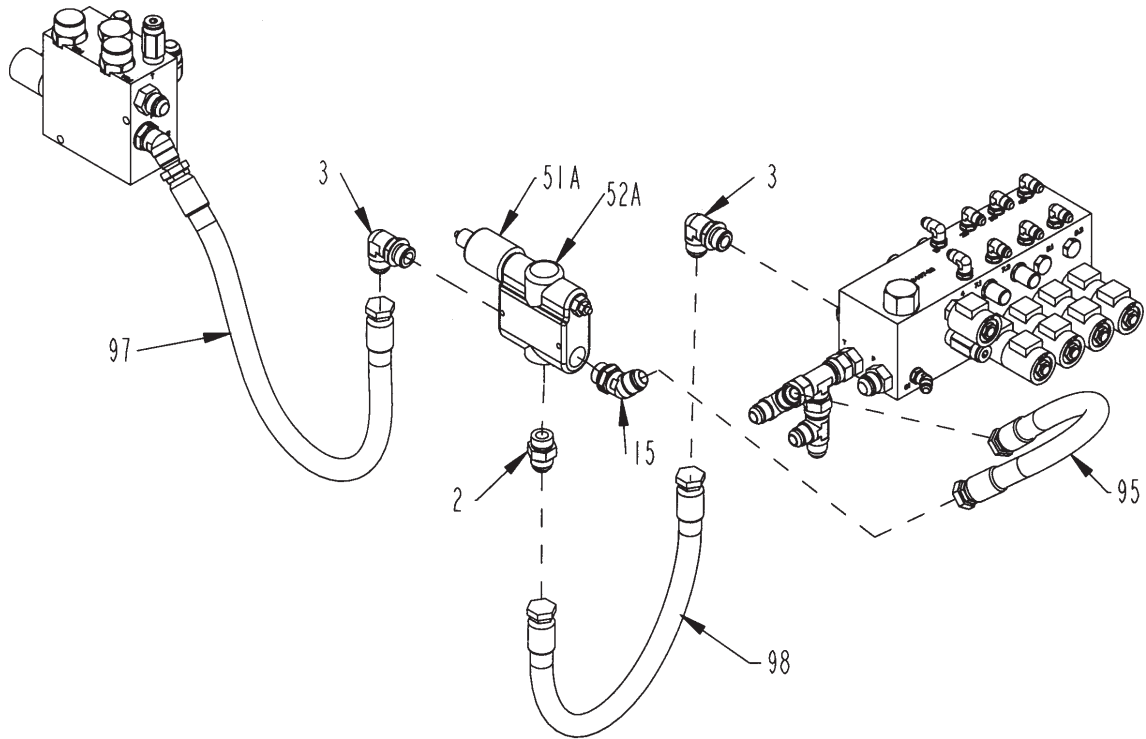
ITEM	PART	QTY.	PART DESCRIPTION
7	3800453	11	FTG\3/4MORX9/16MJIC\90
37	3800766	2	FTG\3/4MJICX3/4MJICX3/4MJIC\TEE
61	4100185		CYL\HYD\3-1/2X8\TIE\3/4FOR
61A	4100210		CYL\HYD\2X8\1-1/4RD\WELD-RAM INDUSTRIES
61B	4100226	2	CYL\HYD\2X8\1-1/4RD\WLD-CANADIAN TOOL & DIE
80	3700813		HOSE\HYD\3/8X60\3/4FJC90X9/16FJC
81	3700812		HOSE\HYD\3/8X60\3/4FJCX9/16FJC
82	3700813		HOSE\HYD\3/8X60\3/4FJC90X9/16FJC
115	3700812		HOSE\HYD\3/8X60\3/4FJCX9/16FJC
116	3700764		TUBE\STL\1/2X78\FJCFJC
117	3700764		TUBE\STL\1/2X78\FJCFJC
118	3700764		TUBE\STL\1/2X78\FJCFJC

GOVERNOR VALVE WITH HOSES AND FITTINGS (S.N. THRU 3089)

ITEM	PART	QTY.	PART DESCRIPTION
2	3800277	1	FTG\1-1/16MORX1-1/16X1-1-1/16MJIC\ST
3	3800279	5	FTG\1-1/16MORX1-1/16MJIC\90
51	4300054	1	VALVE\SOLENOID\24V\JEMM
52	4300069	1	VALVE\SERVO\25GPM\24VDC\
95	HOSE_34_1150		
97	HOSE_36_1150		
98	HOSE_37_1150		



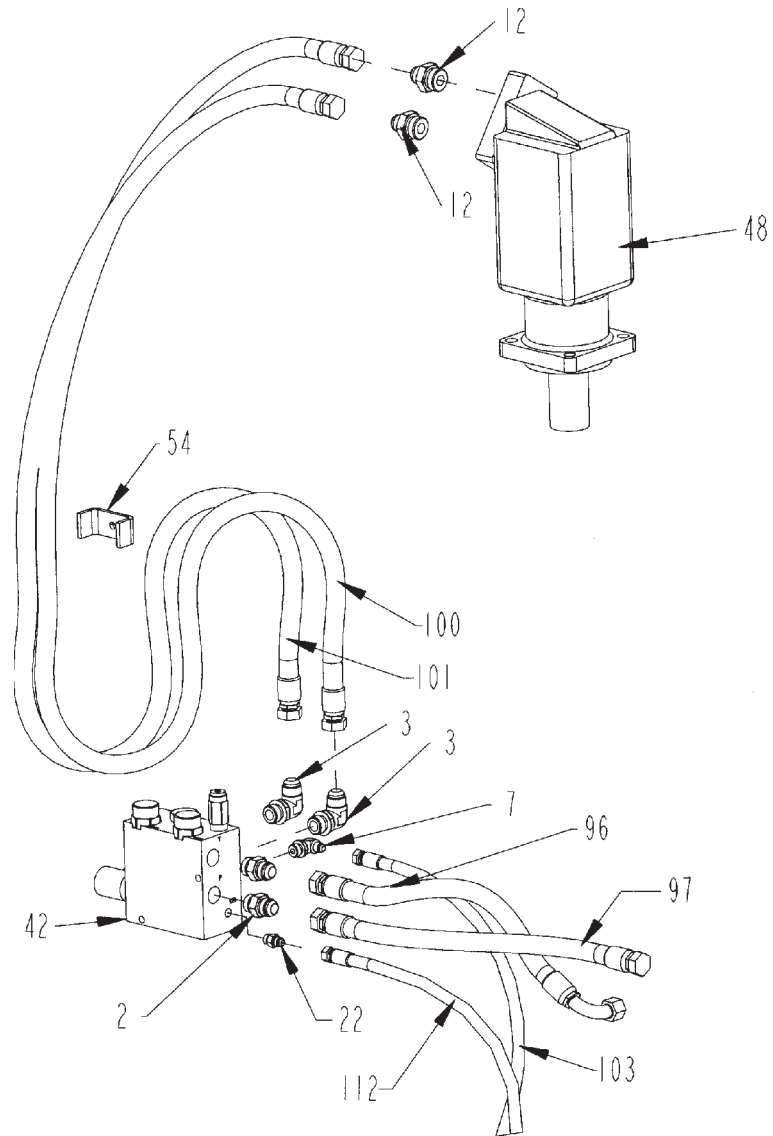
GOVERNOR VALVE WITH HOSES AND FITTINGS (S.N. 3090 & UP)



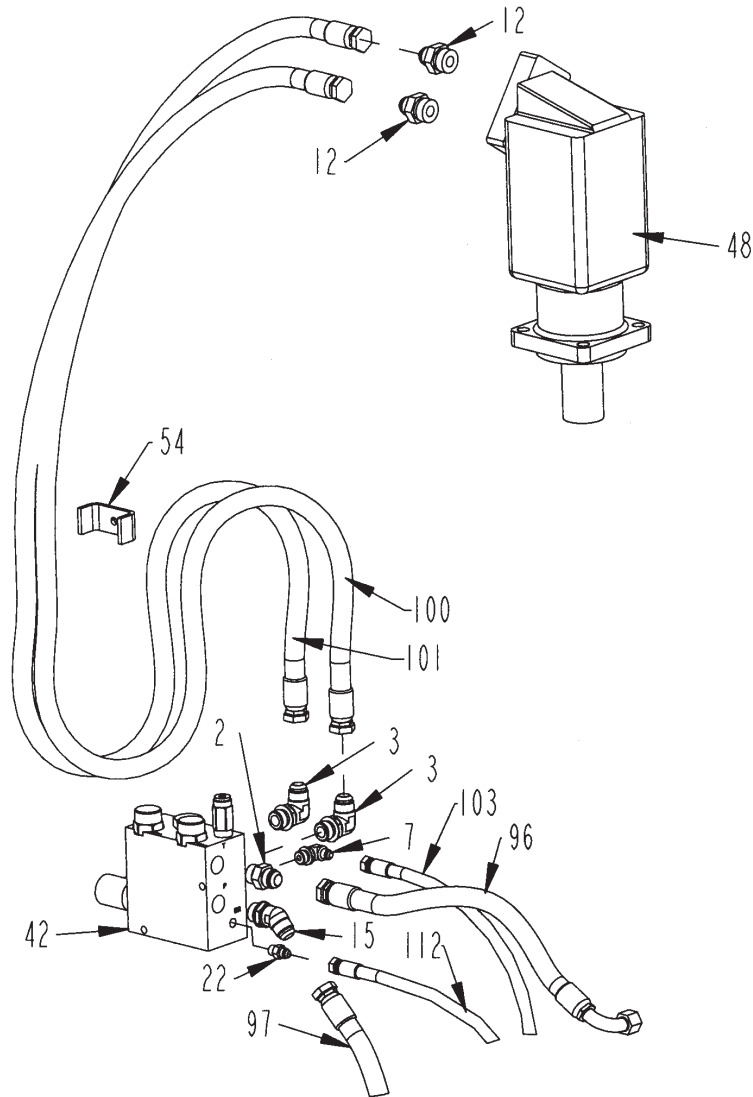
ITEM	PART	QTY.	PART DESCRIPTION
2	3800277	6	FTG\1-1/16MORX1-1/16MJIC\ST
3	3800279	5	FTG\1-1/16MORX1-1/16MJIC\90
15	3800532	4	FTG\1-1/16MORX1-1/16MJIC\45
51A	4300074	1	VALVE\SOLENOID\24V\BRAND S/N 0167 & UP
52A	4300072	1	VALVE\SERVO\30GPM\24VOLT S/N 0167 & UP
95	3700908		HOSE\HYD\3/4X21\1-1/16FJCX1-1/16FJC
97	3700910		HOSE\HYD\3/4X23\1-1/16FJCX1-1/16FJC
98	3700911		HOSE\HYD\3/4X34\1-1/16FJCX1-1/16FJC

TUB DRIVE MOTOR WITH HOSES AND FITTINGS (S.N. THRU 3089)

ITEM	PART	QTY.	PART DESCRIPTION
2	3800277	9	FTG\1-1/16MORX1-1/16MJIC\ST
3	3800279	5	FTG\1-1/16MORX1-1/16MJIC\90
7	3800453	11	FTG\3/4MORX9/16MJIC\90
12	3800526	2	FTG\1-5/16MORX1-1/16MJIC\ST
22	3800631	2	FTG\9/16MORX9/16MJIC\ST
42	4000207	1	VLV\HYD\TUB\BLK\MFLD
48	4200035	1	MTR\HYD\1191031-003
54	4500893	5	CLMP\HOSE\3/4
96	HOSE_35_1150		
97	HOSE_36_1150		
100	HOSE_39_1150		
101	HOSE_40_1150		
103	HOSE_42_1150		
112	HOSE_51_1150		



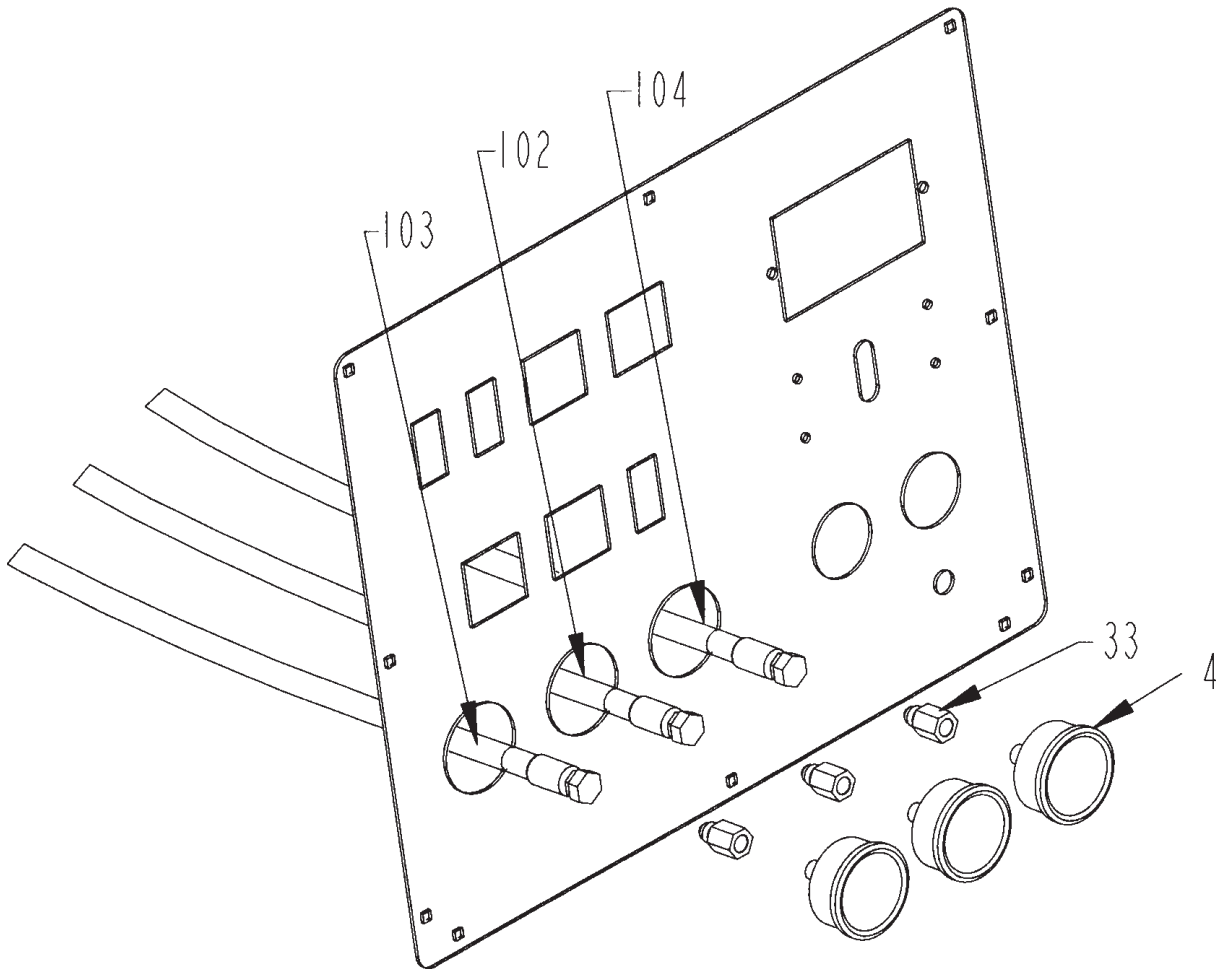
TUB DRIVE MOTOR WITH HOSES AND FITTINGS (S.N. 3090 & UP)



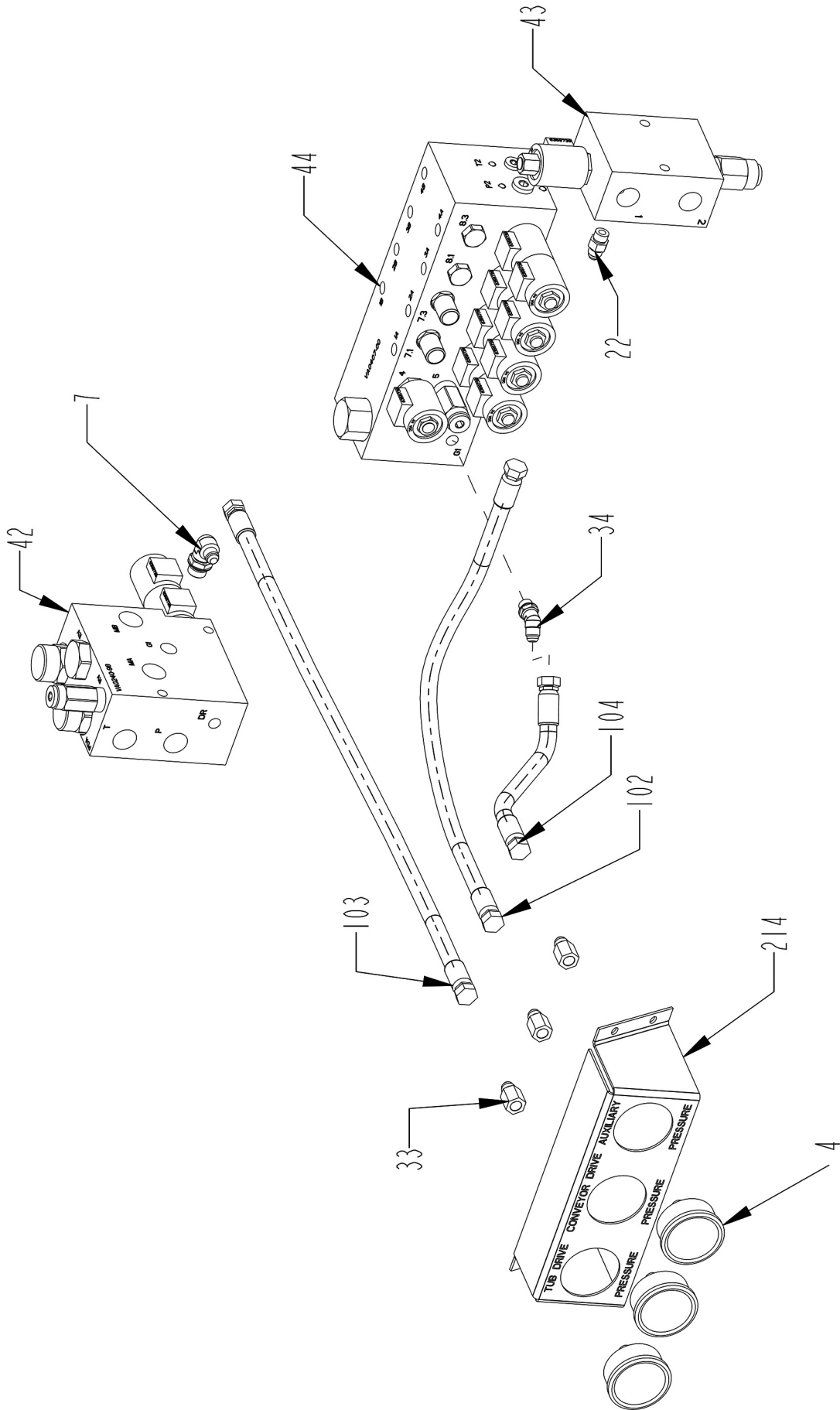
ITEM	PART	QTY.	PART DESCRIPTION
2	3800277	6	FTG\1-1/16MORX1-1/16MJIC\ST
3	3800279	5	FTG\1-1/16MORX1-1/16MJIC\90
7	3800453	11	FTG\3/4MORX9/16MJIC\90
12	3800526	2	FTG\1-5/16MORX1-1/16MJIC\ST
15	3800532	4	FTG\1-1/16MORX1-1/16MJIC\45
22	3800631	2	FTG\9/16MORX9/16MJIC\ST
42	4000207	1	VLV\HYD\TUB\BLK\MFLD
48	4200035	1	MTR\HYD\1191031-003
54	4500893	5	CLMP\HOSE\3/4
96	3700909		HOSE\HYD\3/4X21\1-1/16FJC90X1-1/16FJ
97	3700910		HOSE\HYD\3/4X23\1-1/16FJCX1-1/16FJC
100	3700691		HOSE\HYD\3/4X89\1-1/16FJC
101	3700691		HOSE\HYD\3/4X89\1-1/16FJC
103	3700841		HOSE\HYD\SUCT\1-1/4X113\1-5/8FJCX1-5/16FJC (for SN up to 3129)
103a	3700914		HOSE\HYD\3/8X42\9/16FJICS (for SN 3130 & up) TUB DRIVE VALVE TO TUB DRIVE PRESSURE GAUGE
112	3701556		HOSE\HYD\3/8X252\9/16FJICS (for SN up to 3129) TUB DRIVE VALVE CASE DRAIN TO HYDRAULIC TANK
112a	3700734		HOSE\HYD\3/8X112\9/16FJIC (for SN 3130 & up) TUB DRIVE VALVE CASE DRAIN TO HYDRAULIC TANK

CONTROL PANEL WITH HOSES AND GAUGE FITTINGS (S.N. UP TO 3129)

ITEM	PART	QTY.	PART DESCRIPTION
4	3800381	3	GAUGE\3000PSI\REAR STEM
33	3800758	3	FTG\9\16MJICX1\4FP\ADPT
102	3701542		HOSE\HYD\3\8X204\9\16FJICS
103	3701542		HOSE\HYD\3\8X204\9\16FJICS
104	3701542		HOSE\HYD\3\8X204\9\16FJICS



PRESSURE GAUGES WITH HOSES AND FITTINGS (S.N. 3130 & UP)



PRESSURE GAUGES WITH HOSES AND FITTINGS (S.N. 3130 & UP)

ITEM	PART	QTY.	PART DESCRIPTION
4	3800381	3	GAUGE\3000PSI\REAR STEM
7	3800453	1	FTG\3/4MORX9/16MJIC\90
22	3800631	1	FTG\9/16MORX9/16MJIC\ST
33	3800758	3	FTG\9/16MJICX1/4FP\ADPT
34	3800760	1	FTG\9/16MORX9/16MJIC\45
42	4000207	1	VLV\HYD\TUB\BLK\MFLD
43	4000208	1	VLV\HYD\CNVYR\BLK\MFLD
44	4000210	1	VLV\HYD\AUX\BLK\MFLD
102a	3701553	1	HOSE\HYD\3/8X35\9/16FJICS CONVEYOR PRESSURE GAUGE TO CONVEYOR VALVE
103a	3700914	1	HOSE\HYD\3/8X42\9/16FJICS TUB DRIVE PRESSURE GAUGE TO TUB VALVE
104a	3701546	1	HOSE\HYD\3/8X23\9/16FJICS AUX. PRESSURE GAUGE TO AUX. VALVE
214	4501922	1	BRKT\GAUGE



HYDRAULIC PARTS LIST

ITEM	PART	QTY.	PART DESCRIPTION
1	3800274	1	FTG\1-5/16MORX1-5/16MJIC\ST
2	3800277	6	FTG\1-1/16MORX1-1/16MJIC\ST
3	3800279	5	FTG\1-1/16MORX1-1/16MJIC\90
4	3800381	3	GAUGE\3000PSI\REAR STEM
5	3800428	2	MNFLD\DBL;TEE\BLK\3/4FOR
6	3800441	1	FTG\3/4MPI\PLUG\HEX
7	3800453	11	FTG\3/4MORX9/16MJIC\90
8	3800462	1	FTG\1-1/16NUTFJICS
9	3800468	2	FTG\1-5/8MJICX1-1/4MP\90
10	3800470	1	FTG\1-5/8MORX1-5/8MJIC\ST
11	3800497	2	FTG\1-5/16FJICX1-5/16MJICX1-5/16MJIC\RUN;TEE
12	3800526	2	FTG\1-5/16MORX1-1/16MJIC\ST
13	3800527	3	FTG\7/8MORX1-1/16MJIC\ST
14	3800530	8	FTG\3/4MORX9/16MJIC\ST
15	3800532	4	FTG\1-1/16MORX1-1/16MJIC\45
16	3800535	1	FTG\7/8MORX1-1/16MJIC\90
17	3800538	4	FTG\7/8MORX9/16MJIC\90
18	3800542	1	FTG\1-1/16FJICX9/16MJIC\ADPT
19	3800551	8	CLAMP\HOSE\1-1/4\4HOLES
20	3800552	10	CLAMP\HOSE\1-1/4\2HOLES
21	3800581	2	FTG\1-5/8MORX1-5/8MJIC\45
22	3800631	2	FTG\9/16MORX9/16MJIC\ST
23	3800670	3	FTG\1-1/16FJICX1-1/16MJICX1-1/16MJIC\RUN;TEE
24	3800722	1	FTG\1-1/16MJICX3/4MBSPT
25	3800723	1	FTG\1-1/16MJICX1-1/16MJICX1-1/16MJIC\TEE
26	3800727	1	FTG\1/5/16MORX1-5/16FJIC\SW
27	3800794	2	FTG\1-5/8MORX1-5/16MJIC\90
28	3800730	1	FTG\1-5/16MJICX1MBSPT
29	3800733	2	FTG\1-5/16MJICX1-5/16MJIC\BULKHEAD
30	3800737	1	FTG\1-5/16MJICX1-1/4MP\ST\SOLID
31	3800741	1	FTG\1-5/8MORX1-5/8MJIC\90
32	3800757	8	FTG\9/16MORX9/16MJIC\90
33	3800758	3	FTG\9/16MJICX1/4FP\ADPT
34	3800760	1	FTG\9/16MORX9/16MJIC\45
35	3800763	1	FTG\7/16MORX9/16MJIC\ST
36	3800764	1	FTG\9/16MJICX3/8MP\90
37	3800766	2	FTG\3/4MJICX3/4MJICX3/4MJIC\TEE
38	3800770	2	FTG\9/16MOR\ORFC\0.225"
39	3800773	4	FTG\9/16MJICX1/2MP\90
39A	3800453	4	FTG\3/4MORX9/16MJIC\90D
40	3900010	1	MTR\HYD\24\2000\SAE;A;2-BOLT\7/8FOR
41	3900021	1	MTR\HYD\8\2000
42	4000207	1	VLV\HYD\TUB\BLK\MFLD
43	4000208	1	VLV\HYD\CNVYR\BLK\MFLD
44	4000210	1	VLV\HYD\AUX\BLK\MFLD
45	4000219	1	RAD\HYD\23X19\1-1/16"-12
46	4000229	12	VALVE\HYD\SOL\24V\635W\D\WPEND
47	4000232	1	VALVE\RELIEF\65PSI\16PRT
48	4200035	1	MTR\HYD\1191031-003
49	4200083	1	PUMP\HYD\25/20\2.33X1.78
50	4200084	1	RAD\HYD\KPTO19\DCS30\24V
51	4300054	1	VALVE\SOLENOID\24V\JEMM THRU S/N 0166
51A	4300074	1	VALVE\SOLENOID\24V\BRAND S/N 0167 & UP
52	4300069	1	VALVE\SERVO\25GPM\24VDC\ THRU S/N 0166
52A	4300072	1	VALVE\SERVO\30GPM\24VOLT S/N 0167 & UP
53	4400007	2	FLTR\SCRN\2MPX1-1/4FP\25GPM
54	4500893	5	CLMP\HOSE\3/4
55	4700776	8	CLMP\HOSE\3/8
56	5700524	1	SWITCH\THRMOSTTC\115DEG
57	7170670	1	VLV\HYD\CNVYR\BLK\MFLD
58	4100086	2	CYL\HYD\3X30X1-1/2\WLD

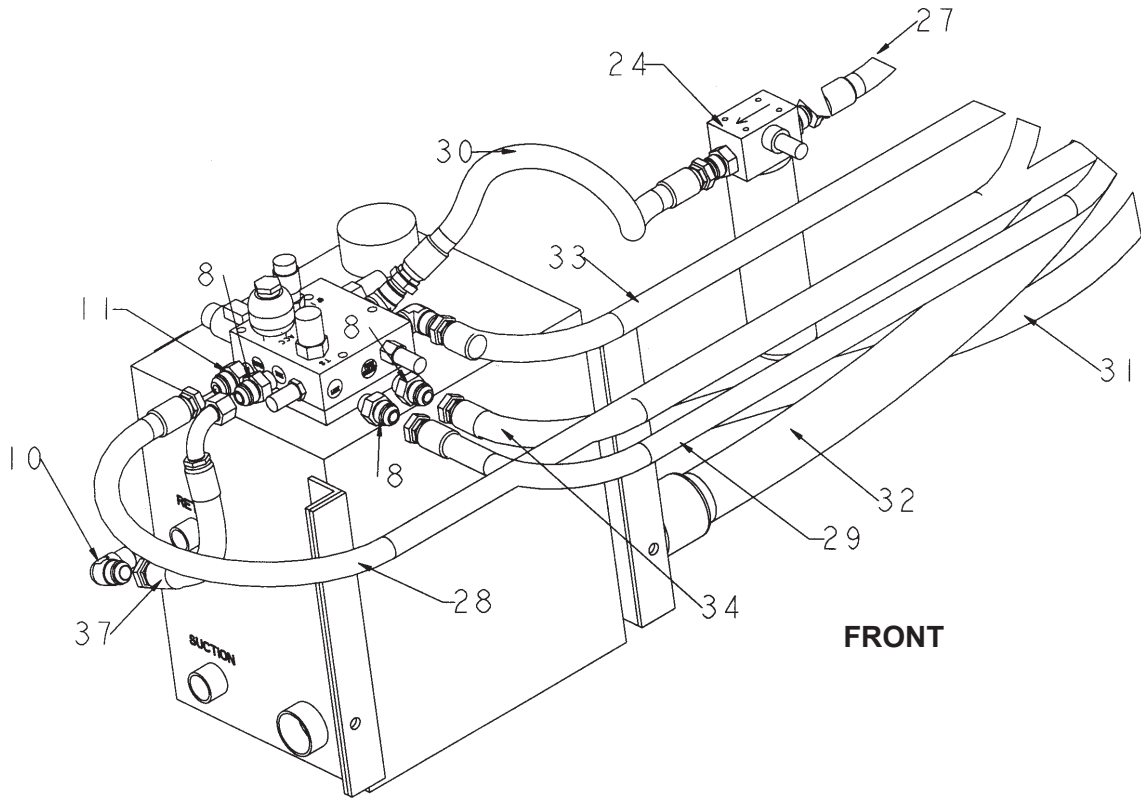
HYDRAULIC PARTS LIST

ITEM	PART	QTY.	PART DESCRIPTION
58A	4100218	2	CYL\HYD\3X30\1-1/2ROD\7/8FOR\PARALLEL
59	4100234	1	CYL\HYD\4-1/2X30\1-3/4--CANADIAN TOOL & DIE
59A	4100332	1	CYL\HYD\4-1/2X30\1-3/4\RAM
60	4100175	2	CYL\HYD\3X36\PARALLEL\7/8FOR
61	4100185	2	CYL\HYD\3-1/2X8\TIE\3/4FOR
61-1	4100251		CYL\HYD\SEAL;KIT\3X1-3/8, seal kit for 4100185
59A	4100332	1	CYL\HYD\4-1/2X30\1-3/4-RAM INDUSTRIES
39A	3800453	4	FTG\3/4MORX9/16MJIC\90D
58A	4100218	2	CYL\HYD\3X30\1-1/2ROD\7/8FOR\PARALLEL
61A	4100210		CYL\HYD\2X8\1-1/4RD\WELD-RAM INDUSTRIES
61B	4100226	2	CYL\HYD\2X8\1-1/4RD\WLD-CANADIAN TOOL & DIE
61B-1	4100228		SEAL\KIT\2\1-1/4RD\CTD for 4100226
(aux valve work hoses and fittings)			
	4500737	1	STOP\CYL\PLFRM\H1100
	4800046	1	PIN\CLEVIS\3/4X3
	4800107	1	PIN\HAIR\1/8(#9)
Not shown (hyd oil tank)			
	7500997	1	GAUGE\LEVEL\5\M12 (for sn up to 3129)
62	3700757		HOSE\HYD\3/4X22\1-1/16MJCX1-1/16FJC45
63	3700758		HOSE\HYD\3/4X23\1-1/16MJCX1-1/16FJC45
64	3700677		HOSE\HYD\3/4X157\1-1/16MJCX1-1/16FJIC
65	3700678		HOSE\HYD\3/4X171\1-1/16MJCX1-1/16FJIC
66	3700898		HOSE\HYD\3/8X36\9/16FJICS
67	3700899		HOSE\HYD\3/4X46\1-1/16MJCX1-1/16FJIC\90
68	3700765		HOSE\HYD\3/8X62\9/16FJICS
69	3700765		HOSE\HYD\3/8X62\9/16FJICS
70	3700895		HOSE\HYD\3/8X30\9/16FJICS
71	3700895		HOSE\HYD\3/8X30\9/16FJICS
72	3700759		HOSE\HYD\3/8X74\9/16FJICS
73	3700759		HOSE\HYD\3/8X74\9/16FJICS
74	3700760		HOSE\HYD\3/8X108\9/16FJICS
75	3700760		HOSE\HYD\3/8X108\9/16FJICS
76	3700766		HOSE\HYD\3/8X78\3/4MJCX9/16FJC
77	3700766		HOSE\HYD\3/8X78\3/4MJCX9/16FJC
78	3700766		HOSE\HYD\3/8X78\3/4MJCX9/16FJC
79	3700766		HOSE\HYD\3/8X78\3/4MJCX9/16FJC
80	3700813		HOSE\HYD\3/8X60\3/4FJC90X9/16FJC
81	3700812		HOSE\HYD\3/8X60\3/4FJC90X9/16FJC
82	3700813		HOSE\HYD\3/8X60\3/4FJC90X9/16FJC
83	3700889		HOSE\HYD\3/8X27\9/16FJICS
84	3700890		HOSE\HYD\3/8X28\3/4MJCX9/16FJC
85	3700767		HOSE\HYD\3/8X30\3/4MJCX9/16FJC
86	3700768		HOSE\HYD\3/8X29\3/4MJCX9/16FJC
87	3700902		HYD\HOSE\3/8X31\3/4MJCX9/16FJIC>
88	3700767		HOSE\HYD\3/8X30\3/4MJCX9/16FJC
89	3700903		HOSE\HYD\3/8X55\9/16FJIC>
90	3700903		HOSE\HYD\3/8X55\9/16FJIC>
91	3700689		HOSE\HYD\3/4X36\1-1/16MJCX1-1/16FJC (for sn up to 3129)
91a	3700904		HOSE\HYD\3/4X24\1-1/16MJCX1-1/16FJIC> (for sn 3130 & up)
92	3700690		HOSE\HYD\3/4X40\1-1/16MJCX1-1/16FJC (for sn up to 3129)
92a	3700905		HOSE\HYD\3/4X28\1-1/16MJCX1-1/16FJIC>
93	3700893		HOSE\HYD\3/4X148\1-1/16FJX1-1/16FJC45DEG
94	3700701		HOSE\HYD\3/4X117\1-1/16FJX1-1/16FJC45DEG

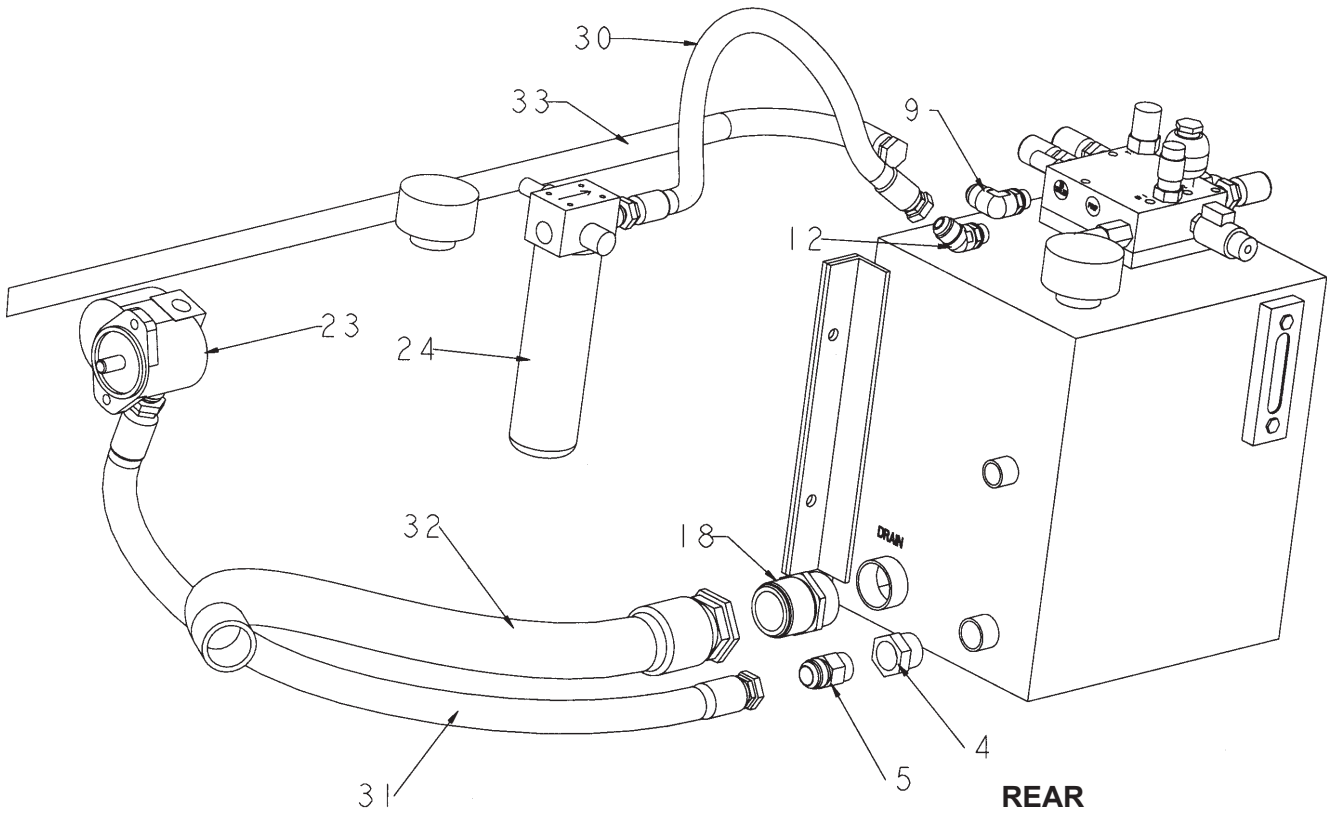
HYDRAULIC PARTS LIST

ITEM	PART	QTY.	PART DESCRIPTION
95	3700908		HOSE\HYD\3\4X21\1-1/16FJCX1-1/16FJC
96	3700909		HOSE\HYD\3\4X21\1-1/16FJC90X1-1
97	3700910		HOSE\HYD\3\4X23\1-1/16FJCX1-1/16FJC
98	3700911		HOSE\HYD\3\4X34\1-1/16FJCX1-1/16FJC
99	3700912		HOSE\HYD\3\4X32\1-1/16FJCX1-1/16FJC
100	3700691		HOSE\HYD\3\4X89\1-1/16FJCX1-1/16FJC
101	3700691		HOSE\HYD\3\4X89\1-1/16FJCX1-1/16FJC
102	3701542		HOSE\HYD\3\8X204\9\16FJICS (for sn up to 3129)
102a	3701553		HOSE\HYD\3\8X35\9\16FJICS (for sn 3130 & up)
103	3701542		HOSE\HYD\3\8X204\9\16FJICS (for sn up to 3129)
103a	3700914		HOSE\HYD\3\8X42\9\16FJICS (for sn 3130 & up)
104	3701542		HOSE\HYD\3\8X204\9\16FJICS (for sn up to 3129)
104a	3701546		HOSE\HYD\3\8X23\9\16FJICS (for sn 3130 & up)
105	3700841		HOSE\HYD\SUCT\1-1\4X113\1-5\8FJCX1-5\16FJC (for sn up to 3129)
105a	3701544		HOSE\HYD\1-1\4X92\1-5\8FJICX1\5\8FJIC\90 (for sn 3130 & up)
106	3700841		HOSE\HYD\SUCT\1-1\4X113\1-5\8FJCX1-5\16FJC (for sn up to 3129)
106a	3701545		HOSE\HYD\1-1\4X74\1-5\8FJICX1\5\8FJIC\90 (for sn 3130 & up)
107	3700918		HOSE\HYD\1X31\1-5\16FJICX1-5\16FJIC90
108	3700919		HOSE\HYD\1X32\1-5\16FJICX1-5\16FJIC90
109	3701547		HOSE\HYD\1X66\1-5\16FJICX1-5\16FJIC
110	3700754		HOSE\HYD\SUCT\1X124\1-5\16FJCX1-5\16FJC90
110a	3701548		HOSE\HYD\1X154\1-5\16FJICX1-5\16FJIC\90
111	3701549		HOSE\HYD\1X156\1-1\16FJICX1-5\16FJIC\45
112	3701556		HOSE\HYD\3\8X252\9\16FJICS (for sn up to 3129)
112a	3700734		HOSE\HYD\3\8X112\9\16FJIC (for sn 3130 & up)
113			HOSE_52_1150
114			HOSE_53_1150
115	3700812		HOSE\HYD\3\8X60\3\4FJCX9\16FJC
116	3700764		TUBE\STL\1\2X78\FJCXFJC
117	3700764		TUBE\STL\1\2X78\FJCXFJC
118	3700764		TUBE\STL\1\2X78\FJCXFJC
119	3700764		TUBE\STL\1\2X78\FJCXFJC
120	3700764		TUBE\STL\1\2X78\FJCXFJC
121	3700764		TUBE\STL\1\2X78\FJCXFJC
122	3700685		TUBE\STL\3\4X78\FJCXFJC
123	3700685		TUBE\STL\3\4X78\FJCXFJC
124	3700761		TUBE\STL\3\4X182\1-1\16FJC
125	3700761		TUBE\STL\3\4X182\1-1\16FJC
201	3800683	4	FTG\3\4MOR\ORFICE\0.0490"
202	4703541		TANK\OIL\ASSY (standard assembly) (for sn up to 3129)
203	7501132		CAP\FILLER\BREATH (standard assembly) (for sn up to 3129)
204	7501125		ELEMENT\ASSY\COMP (standard assembly) (for sn up to 3129)
205	4400096		FLTR\ELMT\10MICRON\INTANK (standard assembly) (for sn up to 3129)
206	7501119		ORING\TANK (standard assembly) (for sn up to 3129)
207	7501120		SEAL\TETRA\TANK (standard assembly) (for sn up to 3129)
208	4400066		GAUGE\FLTR\25PSI\1\8NPT\F\COLOR CODED (for sn up to 3129)
209	3800490	5	FTG\3\4MOR\PLUG\HEX (for sn 3130 & up)
210	3800801	1	FTG\1-7\8MORX1-5\16MJIC\ST (for sn 3130 & up)
211	3800808	2	FTG\1-7\8MORX1-5\8MJIC\ST (for sn 3130 & up)
212	3800928	2	FTG\1-7\8MORX1-7\8MOR\90 (for sn 3130 & up)
213	4400043	2	FILTER\HYDRAULIC\RETURN\IN-TANK ELEMENT 4400074 (for sn 3130 & up)
213A	4400074		FLTR\ELMT\10MICRON\INTANK (REPLACEMENT FILTER) (for sn 3130 & up)
214	4501922	1	BRKT\GAUGE (for sn 3130 & up)
215	4705307	1	TANK\OIL\3010 (for sn 3130 & up)

CLUTCH OIL TANK

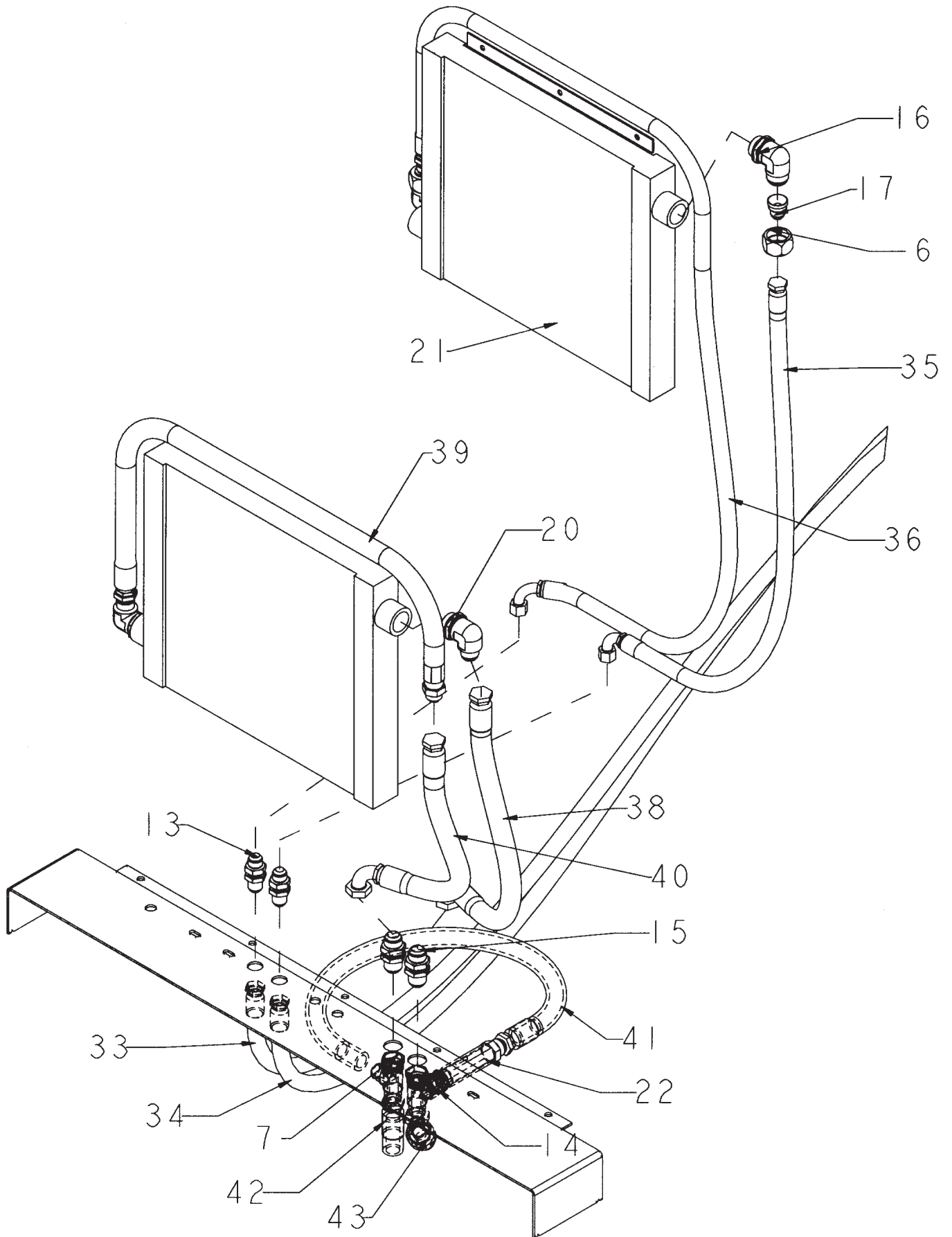


FRONT



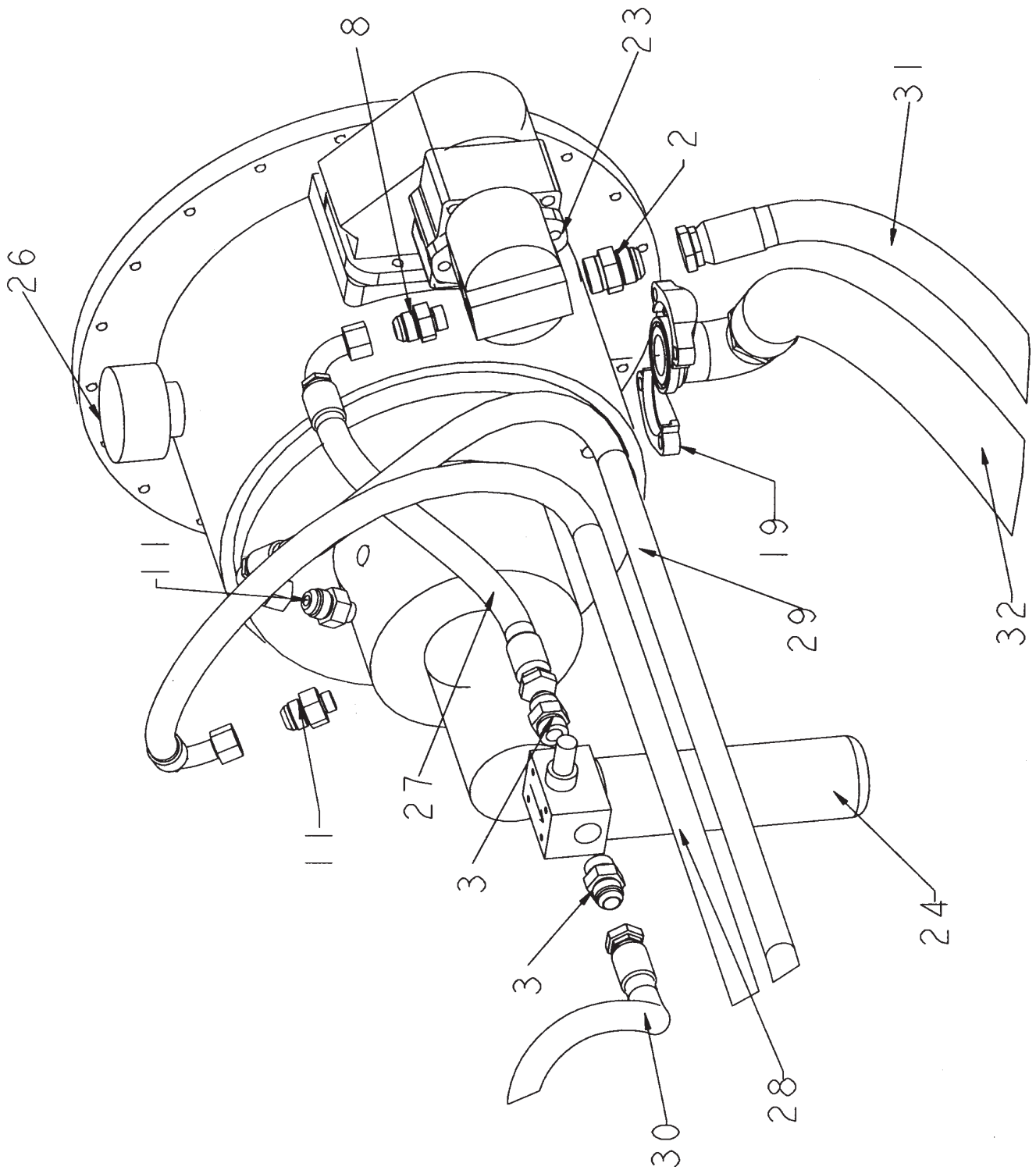
REAR

HYDRAULIC COOLERS



3010 TUB GRINDER PARTS REFERENCE

HYDRAULIC CLUTCH AND FILTER (S.N. UP TO 3129)



**PARTS LIST - CLUTCH OIL TANK - HYDRAULIC COOLERS
- HYDRAULIC CLUTCH AND FILTER (S.N. UP TO 3129)**

ITEM	PART	QTY.	PART DESCRIPTION
2	3800274	2	FTG\1-5/16MORX1-5/16MJIC\ST
3	3800277	2	FTG\1-1/16MORX1-1/16MJIC\ST
4	3800427	1	FTG\1-1/4MPX1FP\BUSH
5	3800467	1	FTG\1-5/16MJICX1MP\ST\SOLID
6	3800488	2	FTG\1-5/8NUTFJICS
7	3800497	2	FTG\1-5/16FJICX1-5/16MJICX1-5/16MJIC\RUN;TEE
8	3800527	4	FTG\7/8MORX1-1/16MJIC\ST
9	3800535	1	FTG\7/8MORX1-1/16MJIC\90
10	3800541	1	FTG\1-1/16MJICX3/4MP\90
11	3800668	3	FTG\1-1/16MJICX3/4MOR\ADP
12	3800669	1	FTG\MORXMJIC\45
13	3800725	2	FTG\1-1/16MJICX1-1/16MJC\BULKHEAD
14	3800727	1	FTG\1/5/16MORX1-5/16FJIC\SW
15	3800733	2	FTG\1-5/16MJICX1-5/16MJC\BULKHEAD
16	3800741	2	FTG\1-5/8MORX1-5/8MJIC\90
17	3800743	2	FTG\1-5/8FJICX1-1/16MJIC\ADPT
18	3800753	1	FTG\2-1/2MJICX2MP\ST\SOLID
19	3800756	1	CLMP\FLANGE\SPLIT\#61\32
20	3800794	2	FTG\1-5/8MORX1-5/16MJIC\90
21	4000219	2	RAD\HYD\23X19\1-1/16"-1
22	4000232	1	VALVE\RELIEF\65PSI\16PRT
23	4200076	1	PUMP\HYD\0.68LH\SAE A SPLINE
24	4400059	1	FLTR\COMP\10MIC;ABS\4400073 REPLACEMENT ELEMENT
24A	4400073		FLTR\ELMT\10MIC;ABS\1000PSI\MEDIUM;PRESSURE (Replacement element for 4400059)
24B	5700610		SWITCH\PRESS\FILT;BYPASS
25	4703395	1	TANK\HYD\15G\HPTO\3010
26	7501188	1	CAP\BREATH\HPTO14
27	3701554	1	HOSE\HYD\3/4X23\1-1/16FJC90X1-1/16FJC (FOR SN UP TO 3129) PUMP DISCHARGE TO FILTER INLET
27A	3701524	1	HOSE\HYD\3/4X43\1-1/16FJC90X1-1/16FJC (FOR SN 3130 & UP) PUMP DISCHARGE TO FILTER INLET
28	3701515	1	HOSE\HYD\3/4X90\1-1/16FJC90X1-1/16FJC MANIFOLD CLUTCH PORT TO CLUTCH
29	3701516	1	HOSE\HYD\3/4X63\1-1/16FJC90X1-1/16FJC MANIFOLD LUBE PORT TO CLUTCH LUBE
30	3701517	1	HOSE\HYD\3/4X17.5\1-1/16FJICX1-1/16FJC FILTER OUT TO MANIFOLD PUMP PORT
31	3701555	1	HOSE\HYD\1X46\1-5/16FJICX1-5/16FJIC (FOR SN UP TO 3129) TANK TO PUMP SUCTION
31A	3701528	1	HOSE\HYD\1X70\1-5/16FJICX1-5/16FJIC\90 (FOR SN 3130 & UP) TANK TO PUMP SUCTION
32	3701186	1	HOSE\HYD\2X47\2-1/2FJIC\2-1/2FLGX2-1/2BARB\HE\WFR (FOR SN UP TO 3129) CLUTCH DRAIN TO TANK
32A	3701525	1	HOSE\HYD\2X38.5\2-1/2FJICX2C61FLANGE (FOR SN 3130 & UP) CLUTCH DRAIN TO TANK

LIST CONTINUES ON PAGE 143



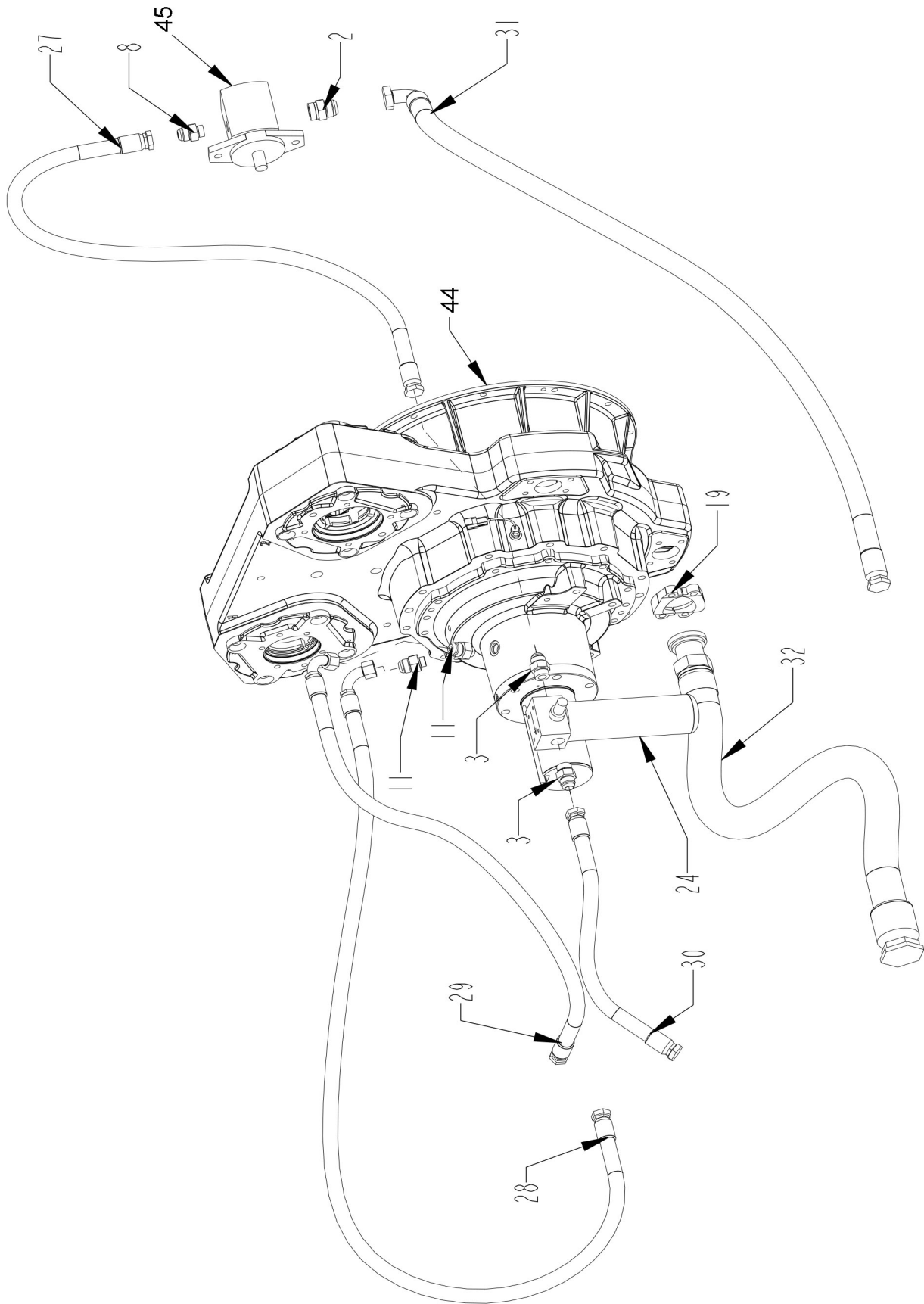
**PARTS LIST - CLUTCH OIL TANK - HYDRAULIC COOLERS
- HYDRAULIC CLUTCH AND FILTER (S.N. UP TO 3129)**

ITEM	PART	QTY.	PART DESCRIPTION
------	------	------	------------------

LIST CONTINUED FROM PAGE 141

33	3701518	1	HOSE\HYD\3/4X158\1-1/16FJICX1-1/16FJIC MANIFOLD "TO COOLER" PORT TO COOLER
34	3701518	1	HOSE\HYD\3/4X158\1-1/16FJICX1-1/16FJIC TO MANIFOLD "FROM COOLER" PORT
35	3701519	1	HOSE\HYD\3/4X55\1-1/16FJICSX1-1/16FJIC90 CLUTCH COOLER TO BULKHEAD
36	3701520	1	HOSE\HYD\3/4X103\1-1/16FJICSX1-1/16FJIC90 BULKHEAD TO CLUTCH COOLER
37	3701419	1	HOSE\HYD\3/4X18\1-1/16FJICX1-1/16FJIC\90 MANIFOLD TANK PORT TO TANK
38	3700918	1	HOSE\HYD\1X31\1-5/16FJICX1-5/16FJIC90 HYD COOLER TO BULKHEAD
39	3701522	1	HOSE\HYD\1X57\1-5/16MJICX1-5/16FJIC BULKHEAD TO HYD COOLER
40	3700919	1	HOSE\HYD\1X32\1-5/16FJICX1-5/16FJIC90 BULKHEAD TO HYD COOLER
41	3701547	1	HOSE\HYD\1X66\1-5/16FJICX1-5/16FJIC PRESSURE RELIEF COOLER BYPASS
42	3700754	1	HOSE\HYD\SUCT\1X124\1-5/16FJICX1-5/16FJIC90 BULKHEAD TO TANK
43	3701549	1	HOSE\HYD\1X156\1-5/16FJICX1-5/16FJIC\45 MACHINE TO COOLER BULKHEAD
44	0900193	1	CLUTCH\FLEX\HPTO14DF3 (FOR SN 3130 & UP)
45	4200113	1	PUMP\HYD\15GPM\LH (FOR SN 3130 & UP)
Not Shown			
	4200075		PUMP\DRIVE\RH\A SPLINE (FOR SN UP TO 3129)
	4200081		PUMP\DRIVE\LH\B SPLINE (FOR SN UP TO 3129)

HYDRAULIC CLUTCH AND FILTER (S.N. 3130 & UP)

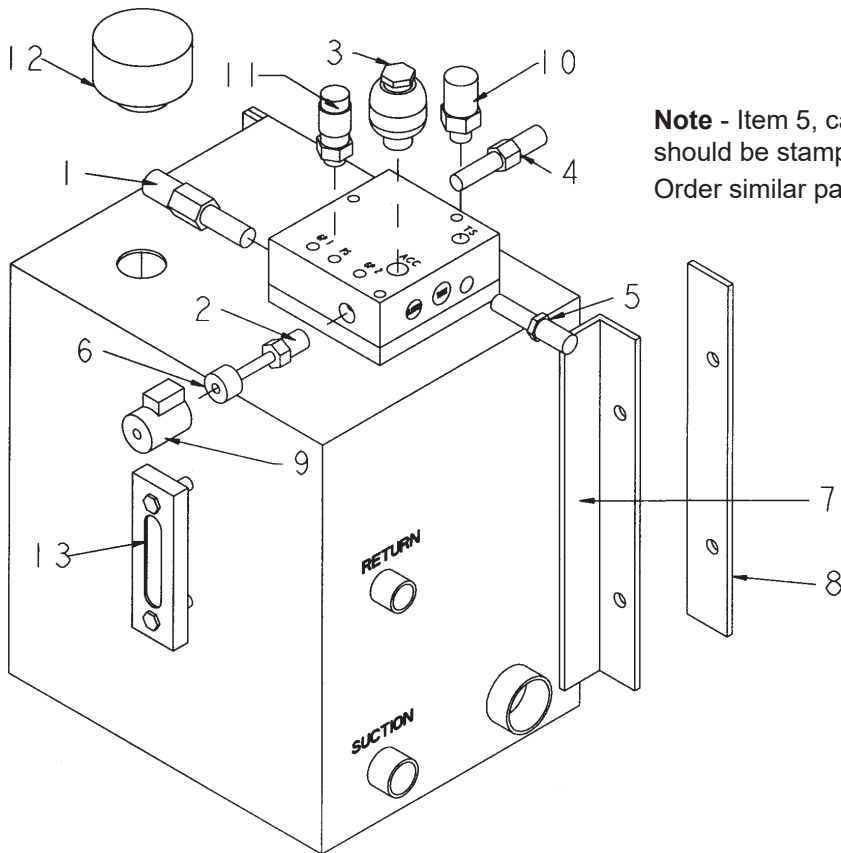


HYDRAULIC CLUTCH AND FILTER (S.N. 3130 & UP)

ITEM	PART	QTY.	PART DESCRIPTION
2	3800274	1	FTG\1-5/16MORX1-5/16MJIC\ST
3	3800277	2	FTG\1-1/16MORX1-1/16MJIC\ST
8	3800527	1	FTG\7/8MORX1-1/16MJIC\ST
11	3800668	2	FTG\1-1/16MJICX3/4MOR\ADP
19	3800756	1	CLMP\FLANGE\SPLIT\#61\32
24	4400059	1	FLTR\COMP\10MIC;ABS\1000PSI\3/4FOR\W/SWITCH
24a	4400073		FLTR\ELMT\10MIC;ABS\1000PSI\MEDIUM;PRESSURE
24b	5700610		SWITCH\PRESS\FILT;BYPASS
27	3701524	1	HOSE\HYD\3/4X43\1-1/16FJC90X1-1/16FJC PUMP DISCHARGE TO FILTER INLET
28	3701515	1	HOSE\HYD\3/4X90\1-1/16FJC90X1-1/16FJC MANIFOLD CLUTCH PORT TO CLUTCH
29	3701516	1	HOSE\HYD\3/4X63\1-1/16FJC90X1-1/16FJC MANIFOLD LUBE PORT TO CLUTCH LUBE
30	3701517	1	HOSE\HYD\3/4X17.5\1-1/16FJCX1-1/16FJC FILTER OUT TO MANIFOLD PUMP PORT
31	3701528	1	HOSE\HYD\1X70\1-5/16FJICX1-5/16FJIC\90 TANK TO PUMP SUCTION
32	3701525	1	HOSE\HYD\2X38.5\2-1/2FJICX2C61FLANGE CLUTCH DRAIN TO TANK
44	0900193	1	CLUTCH\FLEX\HPTO14DF3
45	4200113	1	PUMP\HYD\15GPM\RH

CLUTCH VALVE (S.N. UP TO 3129)

ITEM	PART	QTY.	PART DESCRIPTION
1	4000270	1	VALVE\CART\REDUCE\165P
1A	4000271		VALVE\CART\REDUCE\220P
2	4000290	1	VALVE\HYD\CART\2POS
3	4000411		ACCUMULATOR\MNFLD\CLTCH\4.5CI
4	4000419	1	VALVE\CART\RELIEF\260P
5A	4000420		VALVE\CART\DIVIDER\3GPM
5B	4000421		VALVE\CART\DIVIDER\4GPM
6	4000434		NUT;O-RING\CART\HPTO
7	4703395	1	TANK\HYD\15G\HPTO\3010
8	4704724	2	PAD\TANK\HYD\CLUTCH
9	5700595	1	VALVE\CLTCH\SOL\24\1770
10	5700604	1	SWITCH\TEMP\200\NC
11	5700605	1	SWITCH\PRESS\150\NO
11A	5700606		SWITCH\PRESS\205\NO
12	7500988	1	CAP\FILLER\BREATHER\HPTO
13	7500996	1	GAUGE\LEVEL\5W/THERM



Note - Item 5, cartridge and/or valve block should be stamped 3 or 4 gpm.
Order similar part to what is on valve block.

NOTE: LOW PRESSURE VS. HIGH PRESSURE SYSTEMS

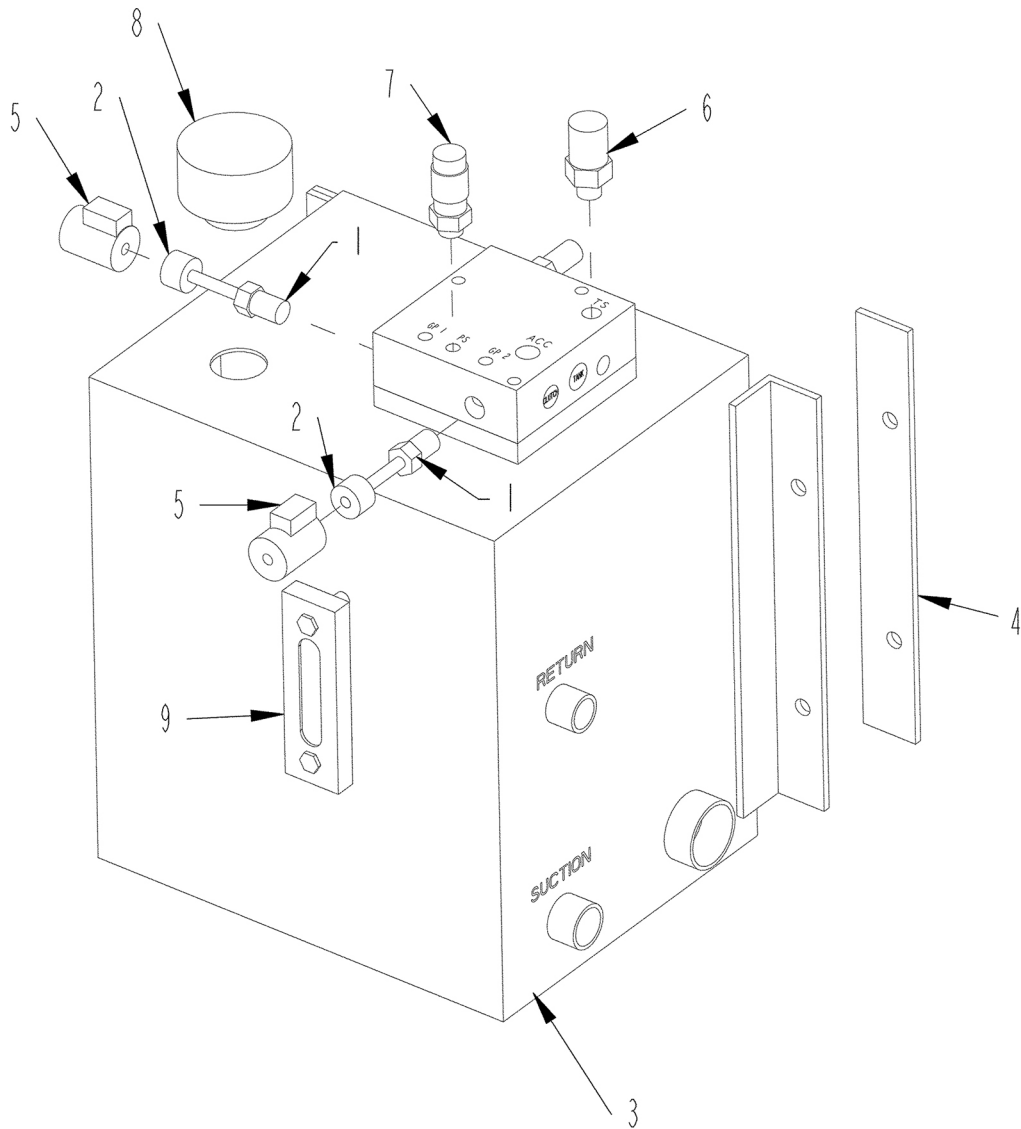
1 & 11 MUST MATCH

*4000270 & 5700605 ARE FOR LOW PRESSURE SYSTEMS

**4000271 & 5700606 ARE FOR HIGH PRESSURE SYSTEMS

DO NOT MIX. VERIFY YOUR OLD PART.

CLUTCH TANK (S.N. 3130 AND UP)

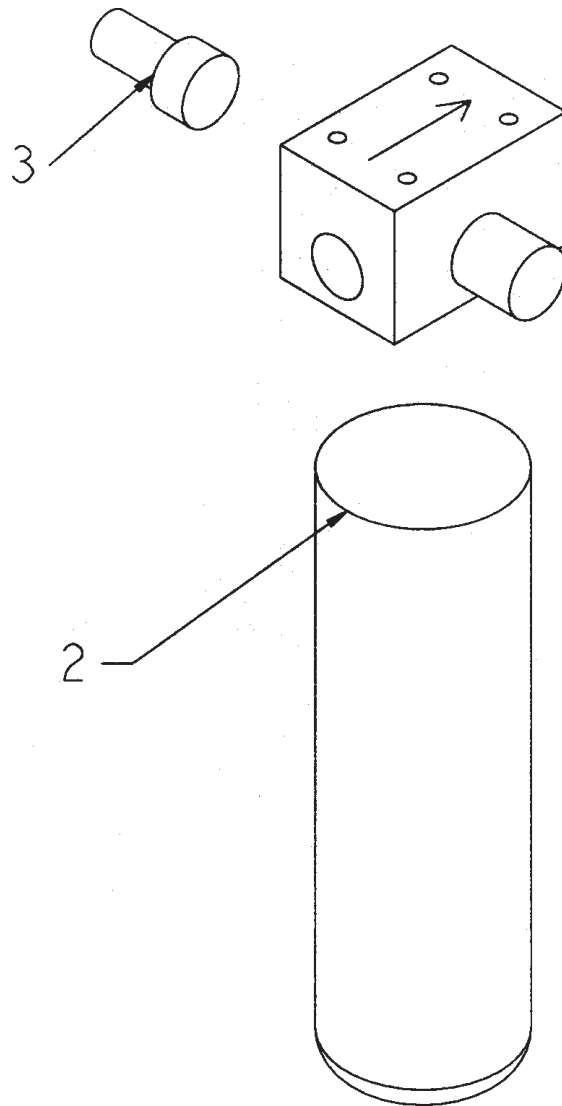


ITEM	PART	QTY.	PART DESCRIPTION
1	4000290	2	VALVE\HYD\CART\2POS
2	4000434	2	NUT;O-RING\CART\HPTO
3	4704003	1	TANK\HYD\15G\HPTO\4012
4	4704724	2	PAD\TANK\HYD\CLUTCH
5	5700595	2	VALVE\CLTCH\SOL\24V\770
6	5700604	1	SWITCH\TEMP\200\NC
7	5700915	1	TRNSDCR\PRSSW\DEUTSCH\PTTECH
8	7500988	1	CAP\FILLER\BREATHER\HPTO
9	7500996	1	GAUGE\LEVEL\5W\THERM



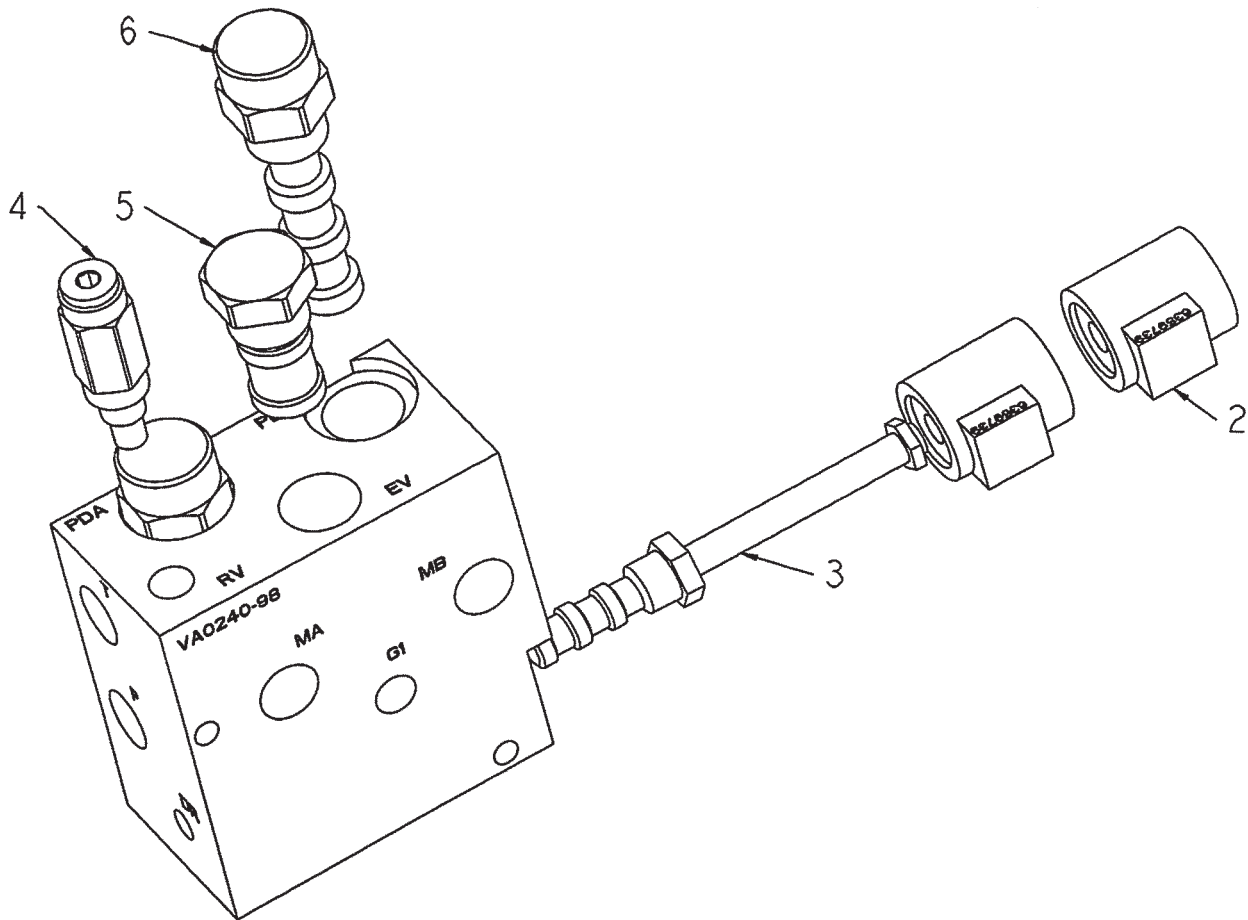
CLUTCH FILTER

ITEM	PART	QTY.	PART DESCRIPTION
1	440059	1	FLTR\COMP\10MIC;ABS\
2	440073	1	FLTR\ELMT\10MIC;ABS\1000
3	5700610	1	SWITCH\PRESS\FILT;BYPASS



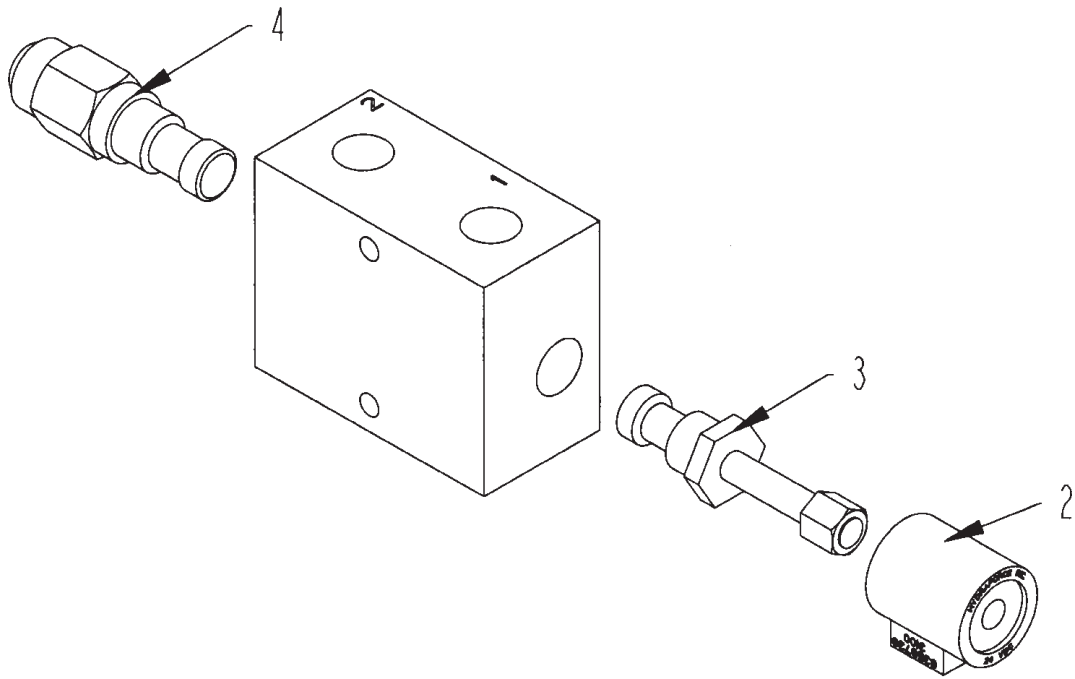
HYDRAULIC TUB VALVE 4000207

ITEM	PART	QTY.	PART DESCRIPTION
	4000207	1	VLV\HYD\TUB\BLK\MFLD
2	4000229	2	VALVE\HYD\SOL\24V\635\W/D\WPEND
3	4000296	1	VALVE\HYD\CART\3POS,4WAY
4	4000320	1	VALVE\RELIEF\2000psi
5	4000445	1	VALVE\CART\VENTED PRESS BLOCK
6	4000456	2	VALVE\HYD\CART\3WAYPILOTED



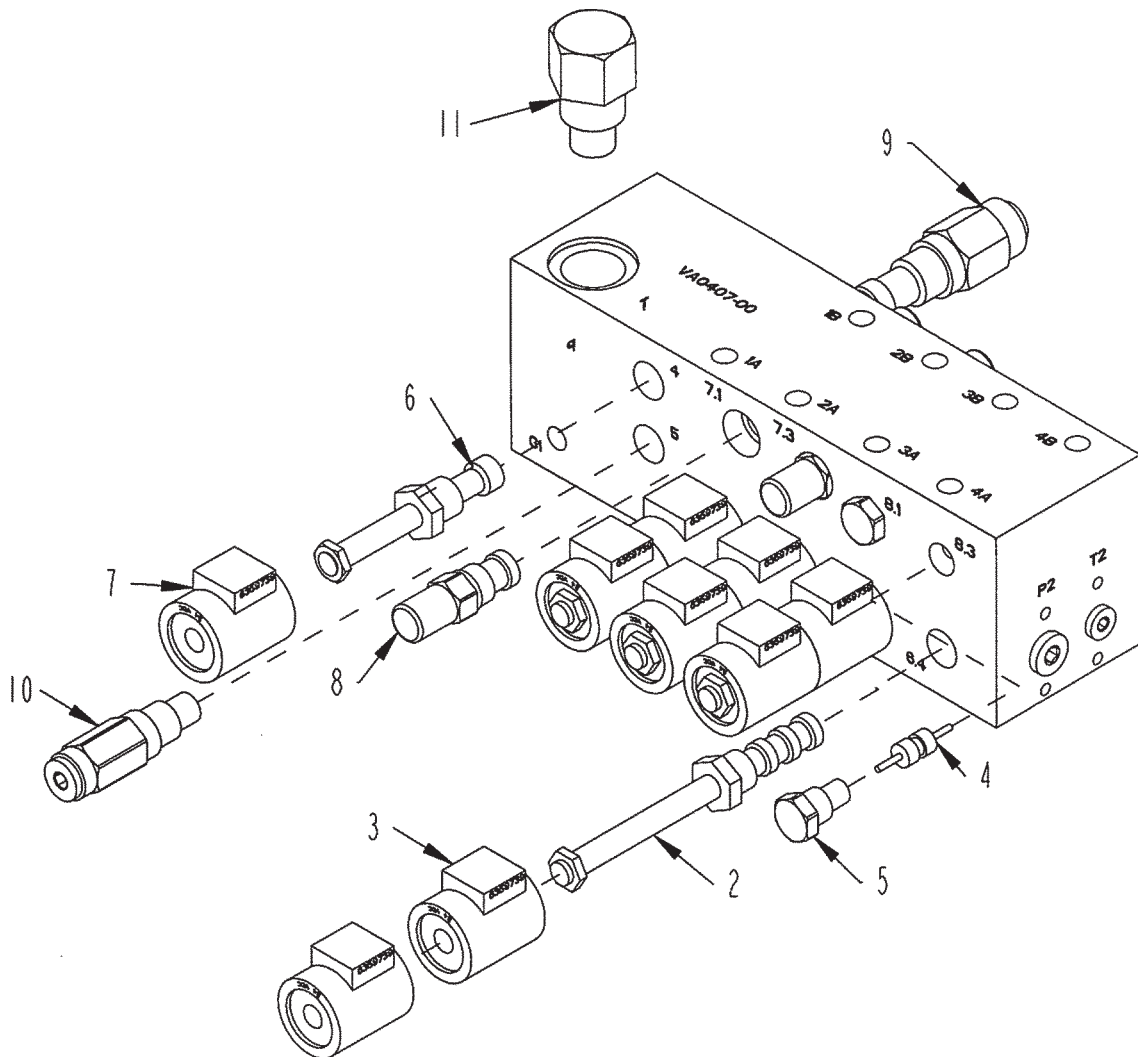
HYDRAULIC CONVEYOR VALVE 4000208

ITEM	PART	QTY.	PART DESCRIPTION
	4000208	1	VLV\HYD\CNVYR\BLK\MFLD
2	4000229	1	VALVE\HYD\SOL\24V\635W/D\WPEND
3	4000241	1	VALVE\HYD\CART\2POS
4	4000242	1	VALVE\HYD\RELIEF\CART\2000PSI



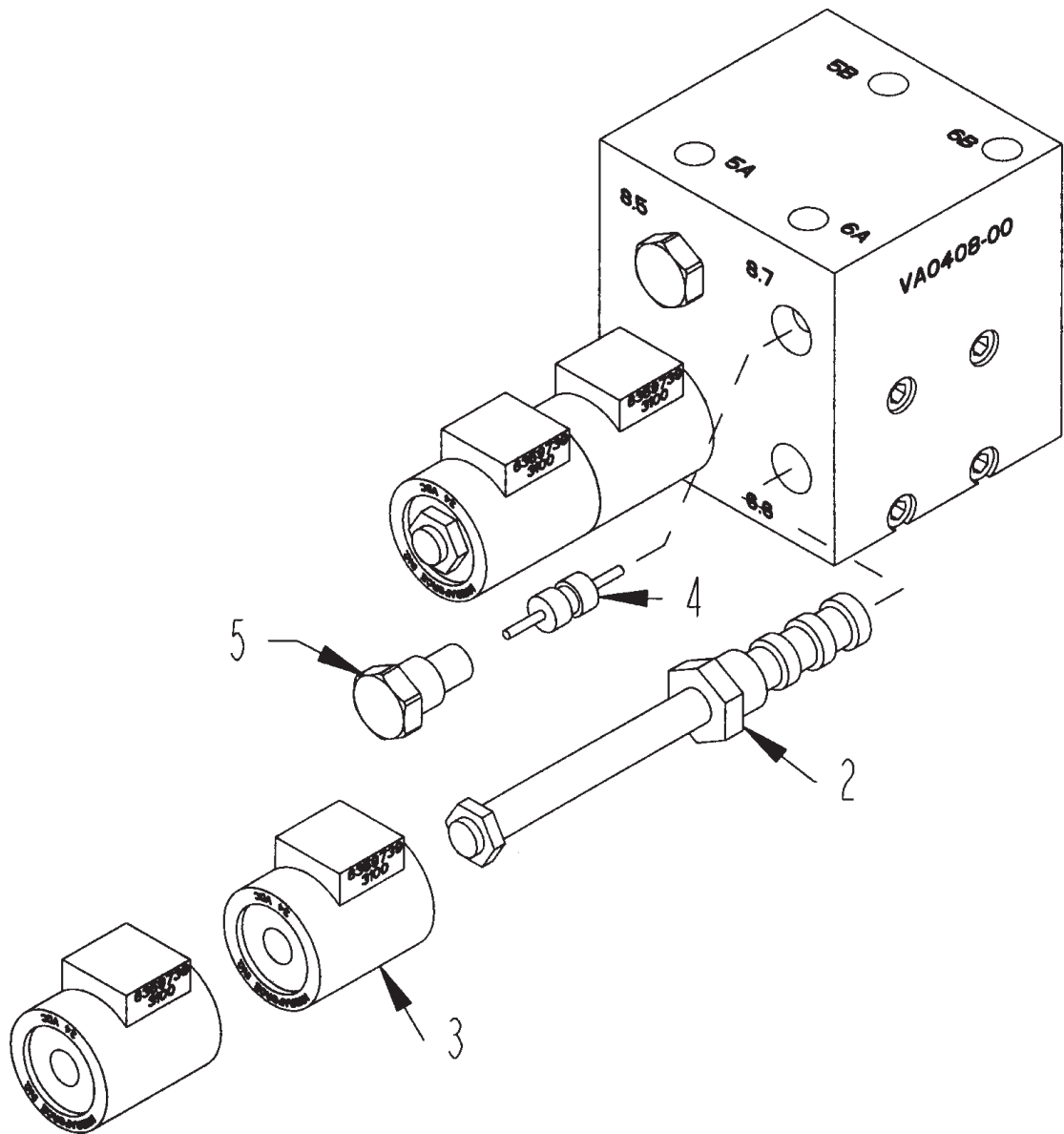
HYDRAULIC AUXILIARY VALVE 4000210

ITEM	PART	QTY.	PART DESCRIPTION
	4000210	1	VLV\HYD\AUX\BLK\MFLD
2	4000228	4	VALVE\HYD\CART\3POS,4WAY
3	4000229	8	VALVE\HYD\SOL\24V\635\W/D\WPEND
4	4000230	2	VALVE\HYD\PILOT\PISTON
5	4000231	4	VALVE\CHECK\CART\
6	4000233	1	VALVE\HYD\CART\2POS,3WAY
7	4000305	1	VALVE\HYD\SOL\20V\635\W/D\WPEND
8	4000313	4	VALVE\CART\CNTRBLNC\3:1
9	4000405	1	VLV\HYD\RELIEF\CART\2800
	4000433		VALVE\SEAL\KIT\SZ12\CART for 4000405
10	4000406	1	VLV\HYD\RELIEF\CART\2250
	4000298		VALVE\SEAL\KIT\SZ10\CART for 4000406
11	4000435	1	VALVE\CART\DIVIDER\5GPM
	4000436		VALVE\SEAL\KIT\SZ16\CART for 4000435

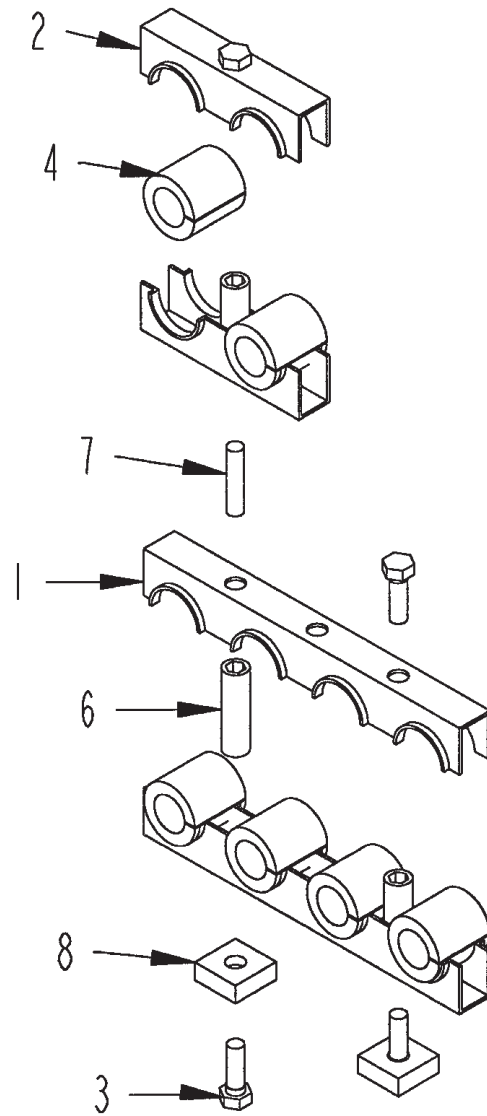


HYDRAULIC MANIFOLD BLOCK VALVE 4000211

ITEM	PART	QTY.	PART DESCRIPTION
	4000211	1	VLV\HYD\AUX\BLK\MFLD\TOC
2	4000228	2	VALVE\HYD\CART\3POS,4WAY
3	4000229	4	VALVE\HYD\SOL\24V\635W/D\WPEND
4	4000230	2	VALVE\HYD\PILOT\PISTON
5	4000231	4	VALVE\CHECK\CART\

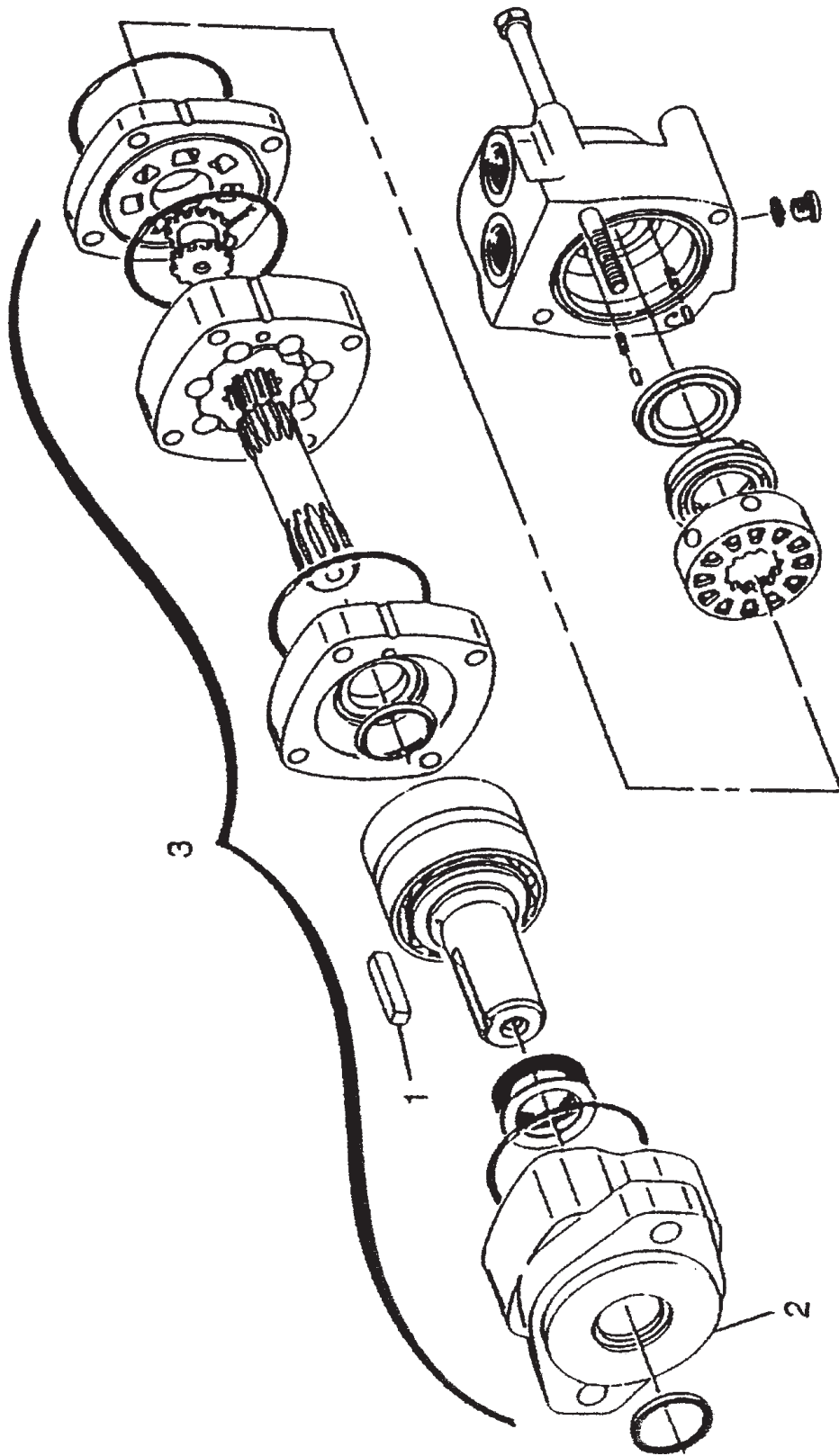


HYDRAULIC TUBE CLAMP ASSEMBLIES



HYDRAULIC TUBE CLAMP ASSEMBLIES

ITEM	PART	QTY.	PART DESCRIPTION
1-1/4 TUBE CLAMP			
1	3800551	2	CLAMP\HOSE\1-1/4\4HOLES
2	3800552	2	CLAMP\HOSE\1-1/4\2HOLES
3	4800013	4	BOLT\HEX\5/16X1
4	3800649		BUSH\RBBR\1TUBE\1-1/4ODX1IDX1-1/4L 30mmODX25mmID
4	3800650		BUSH\RBBR\3/4TUBE\1-1/4ODX3/4IDX1-1/4L 30mmODX19mmID
4	3800651		BUSH\RBBR\5/8TUBE\1-1/4ODX5/8IDX1-1/4L 30mmODX16mmID
4	3800652		BUSH\RBBR\1/2TUBE\1-1/4ODX1/2IDX1-1/4L 30mmODX13mmID
6	4800603	3	NUT\STACK\5/16X1-3/4\NC
7	4800604	1	BOLT\STUD\5/16X1-3/8\NC
8	3800654	2	HLDR\5/16BOLT\WELDON
2-1/4 TUBE CLAMP			
2	3800646	2	CLAMP\TUBE\2-1/4\2;HOLES
3	4800003	4	BOLT\HEX\3/8X1
3	4800098	4	BOLT\HEX\3/8X1-1/4
4	3800647		BUSH\RBBR\1-3/4TUBE\2-1/4ODX1-3/4ID 57mmODX44mmID
4	3800648		BUSH\RBBR\1TUBE\2-1/4ODX1ID 57mmODX25mmID
6	4900153	3	NUT\STACK\3/8X2-3/4\NC
7	4800614	1	BOLT\STUD\3/8X2\NC
8	3800653	2	HLDR\3/8BOLT\WELDON



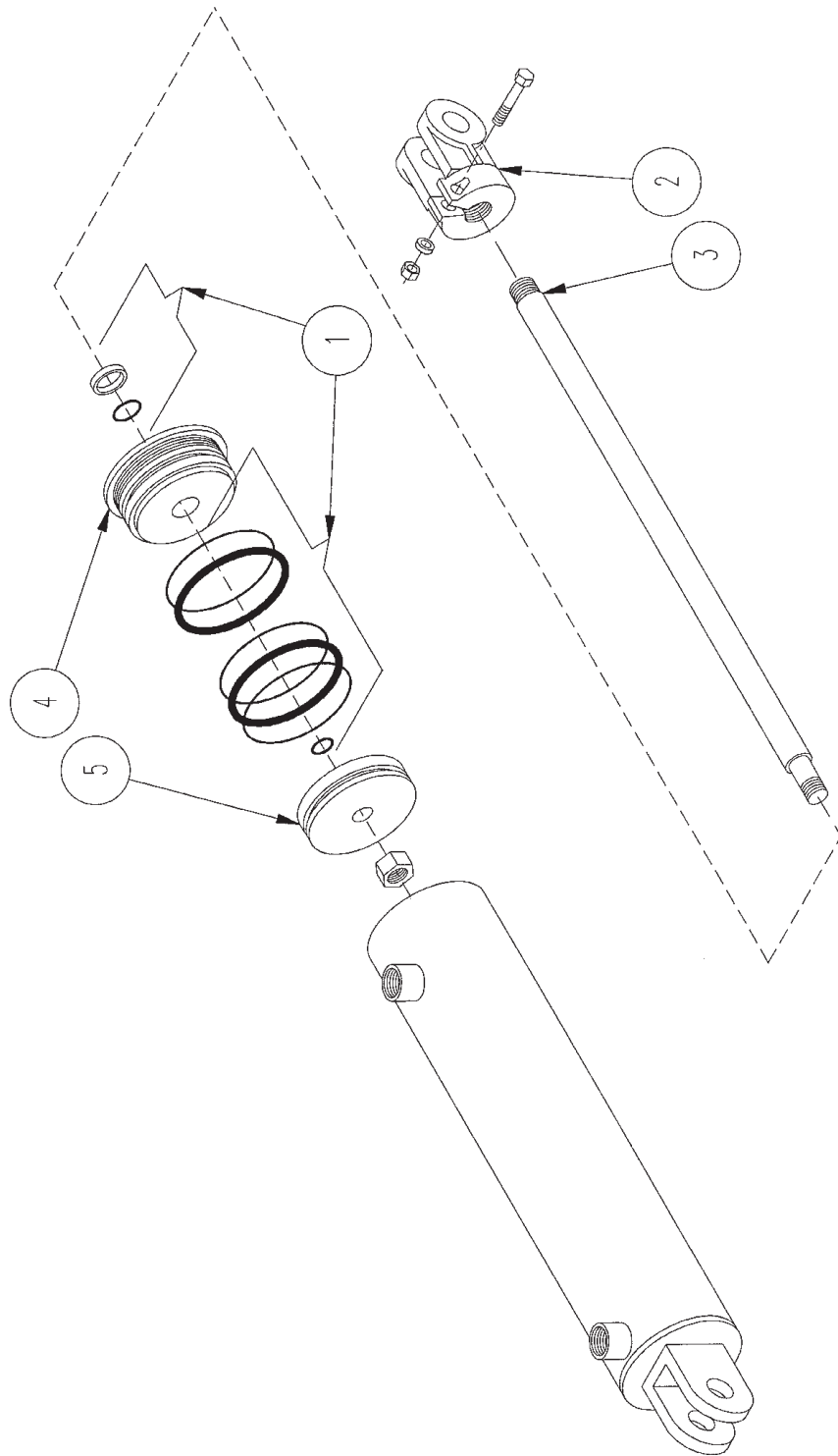
ORBIT MOTOR

ITEM	PART	QTY.	PART DESCRIPTION
3	3900010	1	MTR\HYD\24\2000\SAE;A;\2-BOLT\7/8FOR\1-1/4SFT
1	6200004	1	KEY\SQ\5/16X1-1/2
2	3900011	1	MTG FLG(2000 SER)
4	7501005	1	SEAL KIT

ITEM	PART	QTY.	DESCRIPTION
3	3900021	1	MTR\HYD\8\2000\
1	6200004	1	KEY\SQ\5/16X1-1/2
2	3900011	1	MTG FLG(2000 SER)
4	7501005	1	SEAL KIT

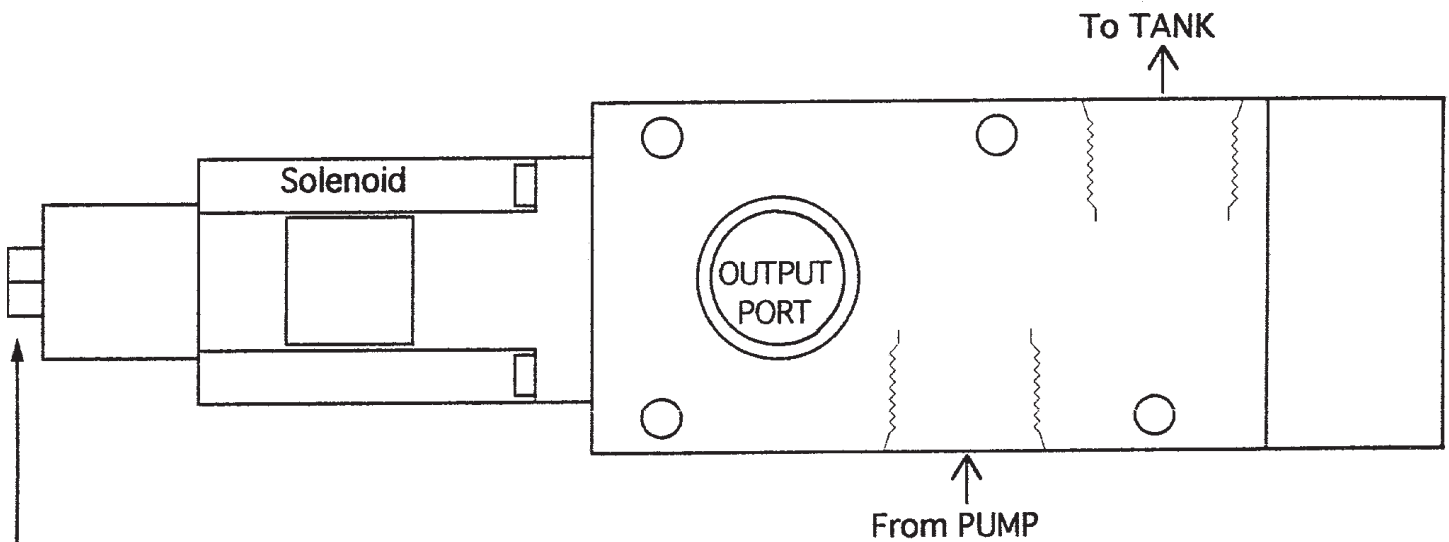
ITEM	PART #	QTY.	DESCRIPTION
3	4200035		MTR\HYD\57.4\10000\2-1/4\1-5/16FOR
	7501169	1	SEAL\KIT\MTR\HYD\10000\REAR REAR MOTOR SEAL 4200035
	7501170	1	SEAL\KIT\MTR\HYD\10000\SHAFT SHAFT SEAL FOR 4200035

HYDRAULIC CYLINDER SEALS AND OTHER ITEMS



HYDRAULIC CYLINDER SEALS AND OTHER ITEMS

ITEM	PART	QTY.	PART DESCRIPTION
	4100086	1	CYL\HYD\3X30\1-1/2ROD\PERP\1/2PIPE (DISCHARGE LIFT CYLINDER)
1	4100088	1	SEAL KIT3X30 1-1/2ROD
2	4100132	1	CYL\HYD\1"CLE\1"PIN\1-1/4THRD
3	4100098	1	CYL\HYD\ROD\1-1/2X30
4	4100102	1	CYL\HYD\GLAND\3"1-1/2"ROD\
5	4100104	1	CYL\HYD\PISTON\3"1-1/2"ROD
	4100097	1	CYL\HYD\TUBE\3X30\PERP
	4100144		CYL\HYD\4X30\1-3/4"ROD\CLEVIS ENDS\O-RING PORTS
1	4100180	1	CYL\SEAL\4X30\1-3/4 ROD
2	4100181	1	CYL\YOKE\4X30\1-3/4 ROD
3	4100182	1	CYL\ROD\4X30\1-3/4 ROD
4	4100183	1	CYL\GLAND\4X30\1-3/4 ROD
5	4100184	1	CYL\PISTON\4X30\1-3/4 ROD
	4100219		CYL\HYD\BUTT\END-CAP FOR 4100144
	4100175		CYL\HYD\3X36\PARALLEL\CLEV\7/8O-RING (DISCHARGE FOLD CYLINDER)
1	4100103	1	CYL\HYD\KIT\SEAL\3\1-1/2" ROD
2	4100132	1	CYL\HYD\YOKE
3	4100174	1	CYL\HYD\ROD\1-1/2\3X36
4	4100102	1	CYL\HYD\GLAND\1-1/2" ROD
5	4100104	1	CYL\HYD\PISTON\3"
	4100185		CYL\HYD\3-1/2X8\TIE\3/4 O-RING PORTS (TUB COVER CYLINDER)
1	4100251	1	CYL\HYD\SEAL;KIT\3X1-3/8
4	4100287		CYL\HYD\BUTT\END-CAP\3-1/2\ FOR 4100185
	4100210		CYL\HYD\2X8\1-1/4RD\WELDED\#8ORB\INLINE W_PIN\RAM (DISCHARGE SWING CYLINDER)
1	4100093		CYL\HYD\SEAL;KIT\2 X 8
	4100218		CYL\HYD\3X30\1-1/2ROD\7/8FOR\PARALLEL (DISCHARGE LIFT CYLINDER)
1	4100143		CYL\HYD\SEAL;KIT\3X1-1/2
3	4100098		ROD\CYL\1-1/2;RAM\3X30
	4100226		CYL\HYD\2X8\1-1/4RD\WELDED\#8ORB\INLINE W_PIN\CTD (DISCHARGE SWING CYLINDER)
1	4100228		SEAL\KIT\2\1-1/4RD\CTD
	4100234		CYL\HYD\4-1/2X30\1-3/4\CTD (PLATFORM CYLINDER)
1	4100223		KIT\SEAL\4-1/2X1-3/4RD\CTD
	4100332		CYL\HYD\4-1/2X30\1-3/4\RAM (PLATFORM CYLINDER)
	4100214		KIT\SEAL\CYL\HYD\4-1/2X24\1-3/4" ROD



Starting Point/Manual Override Adjustment

The starting point is preset to 0 GPM. If any further adjustment is required;
 1- Loosen jam nut. 2- Turn the adjusting screw clockwise to increase the flow or counter clockwise to decrease flow. 3- Gently tighten the jam nut.

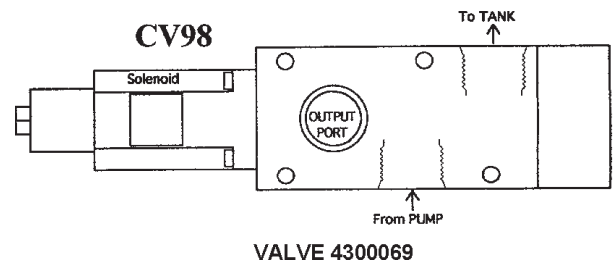
WARNING- If the adjusting screw is turned to far counter clockwise, the valve will behave erratically or stop working all together. Turn the adjusting screw no more than 1/16 to 1/8 of a turn counter clockwise after flow has stopped.

For manual operation when electrical control fails, turn the adjusting screw clockwise until the desired constant flow is obtain.

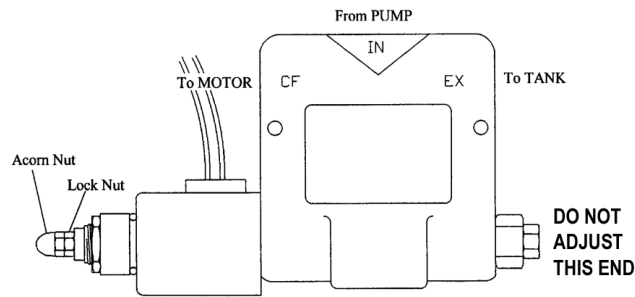
PART	QTY	DESCRIPTION
		CV98
4300069	1	Valve\Servo\25gpm\24vDC
4300054		Solenoid\Hyd Valve\24V, see notes below

Note - The difference between the 12Volt and 24Volt solenoid is listed on the serial number plates.

The solenoids are Elwood 160261-xx6 or 160261-xx9. The 6 is a 12 volt solenoid, the 9 is a 24 volt solenoid. Also, 12 or 24 are stamped on the newest serial number plates.



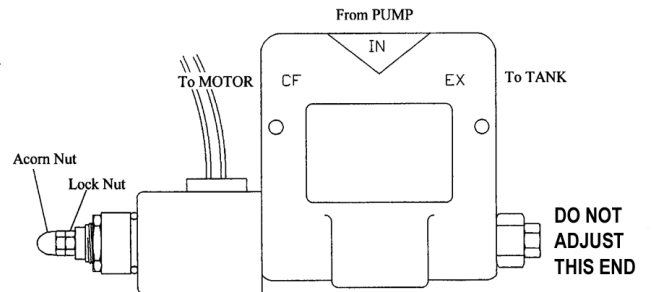
ELECTRO-HYDRAULIC VALVE CALIBRATION (S.N. GJ3090 & UP)



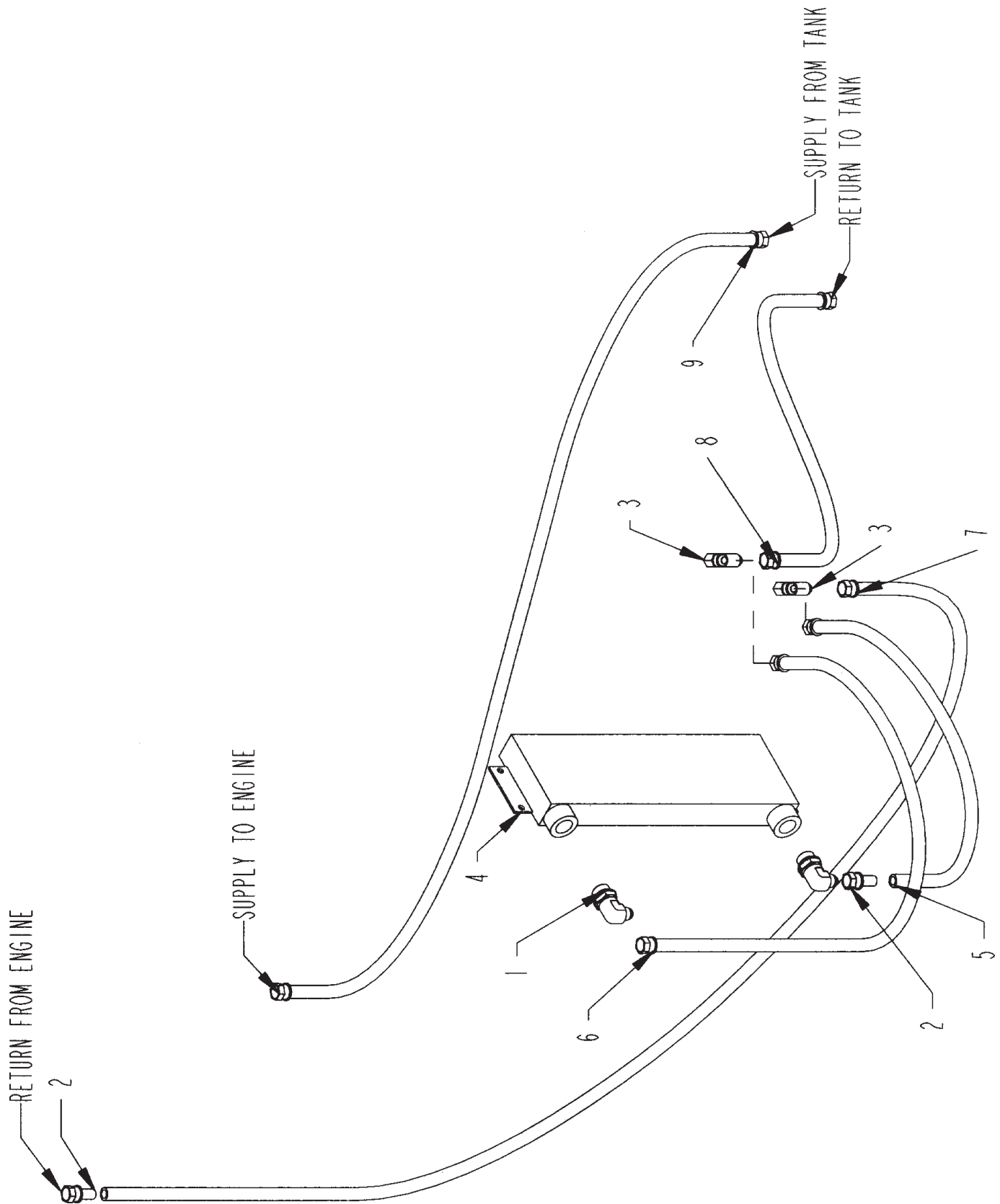
To calibrate the electro-hydraulic valve coil after following the three steps above, perform the following steps:

1. Shut down the machine using the normal shutdown procedure in this manual
2. Disconnect the wiring harness from the electro-hydraulic valve coil.
3. Remove the acorn nut from the end of the electro-hydraulic valve. This will reveal a jam nut and an adjusting stud with a screwdriver slot.
4. Loosen the jam nut.
5. Turn the adjusting screw counterclockwise until it stops.
6. Lock the adjusting screw with the jam nut and replace the acorn nut. Reconnect the wiring harness to the electro-hydraulic valve coil.

PART	QTY	DESCRIPTION
4300072		VALVE
4300074		SOLENOID
4300077		SEAL KIT



FUEL COOLER HOSES

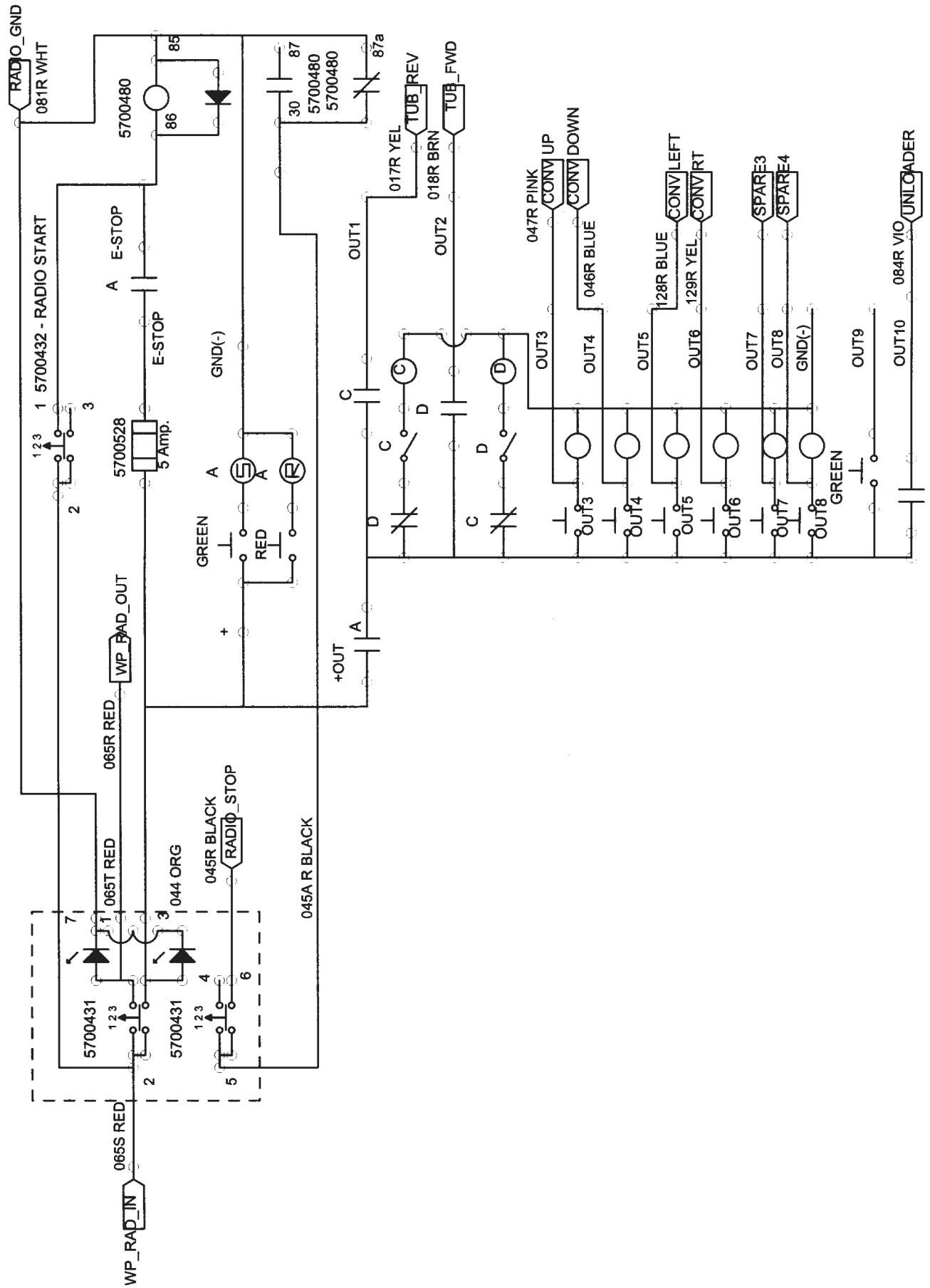


FUEL COOLER HOSES

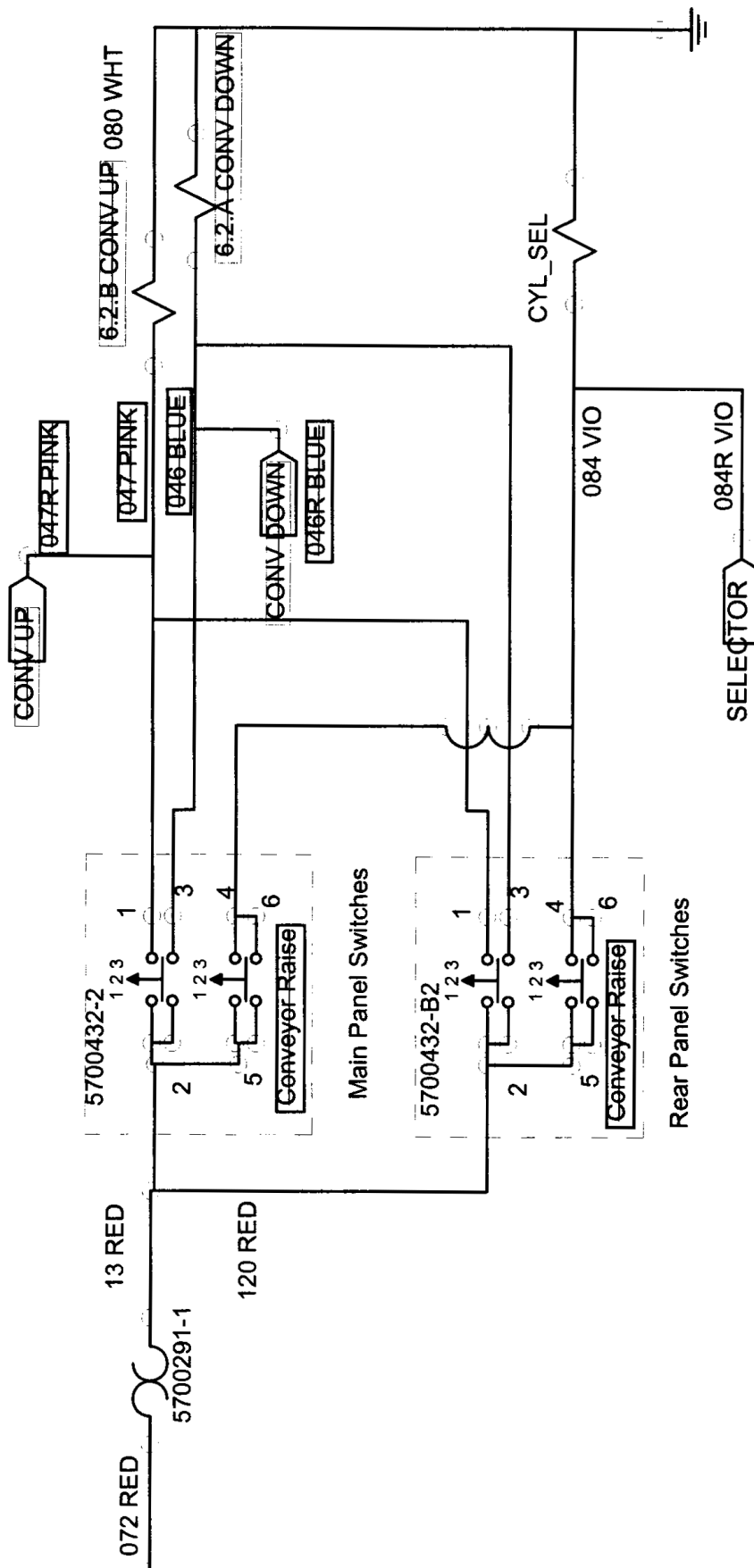
ITEM	PART	QTY.	PART DESCRIPTION
1	3800536	2	FTG\1-1/16MORX3/4MJIC\90
2	3800826	10	FTG\3/4FJICX1/2SHLCK
3	3800828	2	FTG\3/4MJIC\BLKHD\90
4	4000300	1	RAD\HYD\5-5/8X13-3/4X1-3/4\AKG_C-8
5	HOSE_1_3010_FUEL	1	FUEL COOLER TO ENGINE RETURN BULKHEAD
6	HOSE_2_3010_FUEL	1	FUEL COOLER TO TANK RETURN BULKHEAD
7	HOSE_3_3010_FUEL	1	ENGINE RETURN TO FUEL COOLER BULKHEAD
8	HOSE_4_3010_FUEL	1	TANK BULKHEAD TO TANK RETURN
9	HOSE_5_3010_FUEL	1	SUPPLY FROM TANK TO SUPPLY TO ENGINE

**STANDARD SCHEMATIC - SEE FOLD OUTS PAGE FO-3 IN
APPENDIX A AT THE END OF THE MANUAL**

REMOTE RADIO SCHEMATIC



GENERIC SWITCH LAYOUT



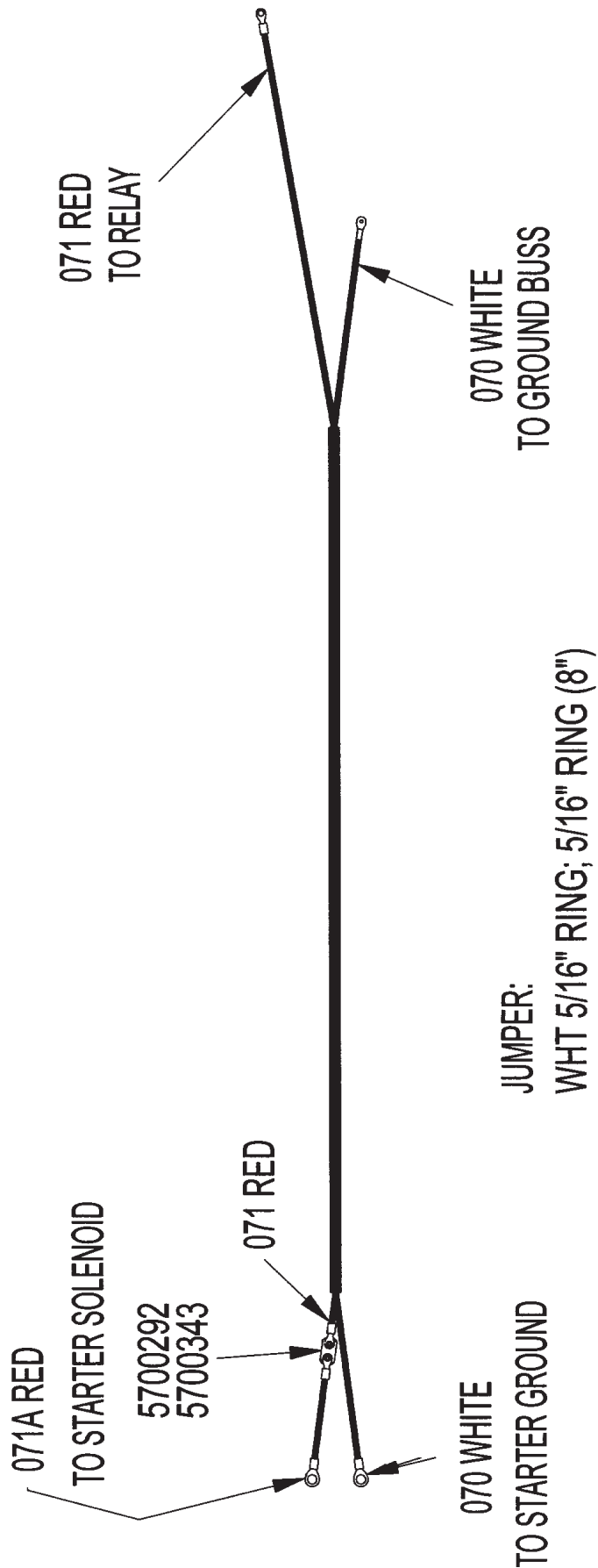
Possible power inputs to solenoids, depending on function and options on machine.
 Selector valve (cyl sel) must be activated when operating most hydraulic cylinder functions.
 If a radio or other remote control is installed, those output wires will plug into the remote wires (i.e. 047R Pink).

**MAIN WIRING HARNESS - CONTROL PANEL - SEE FOLD
OUTS PAGE FO-4 IN APPENDIX A AT THE END OF THE
MANUAL**

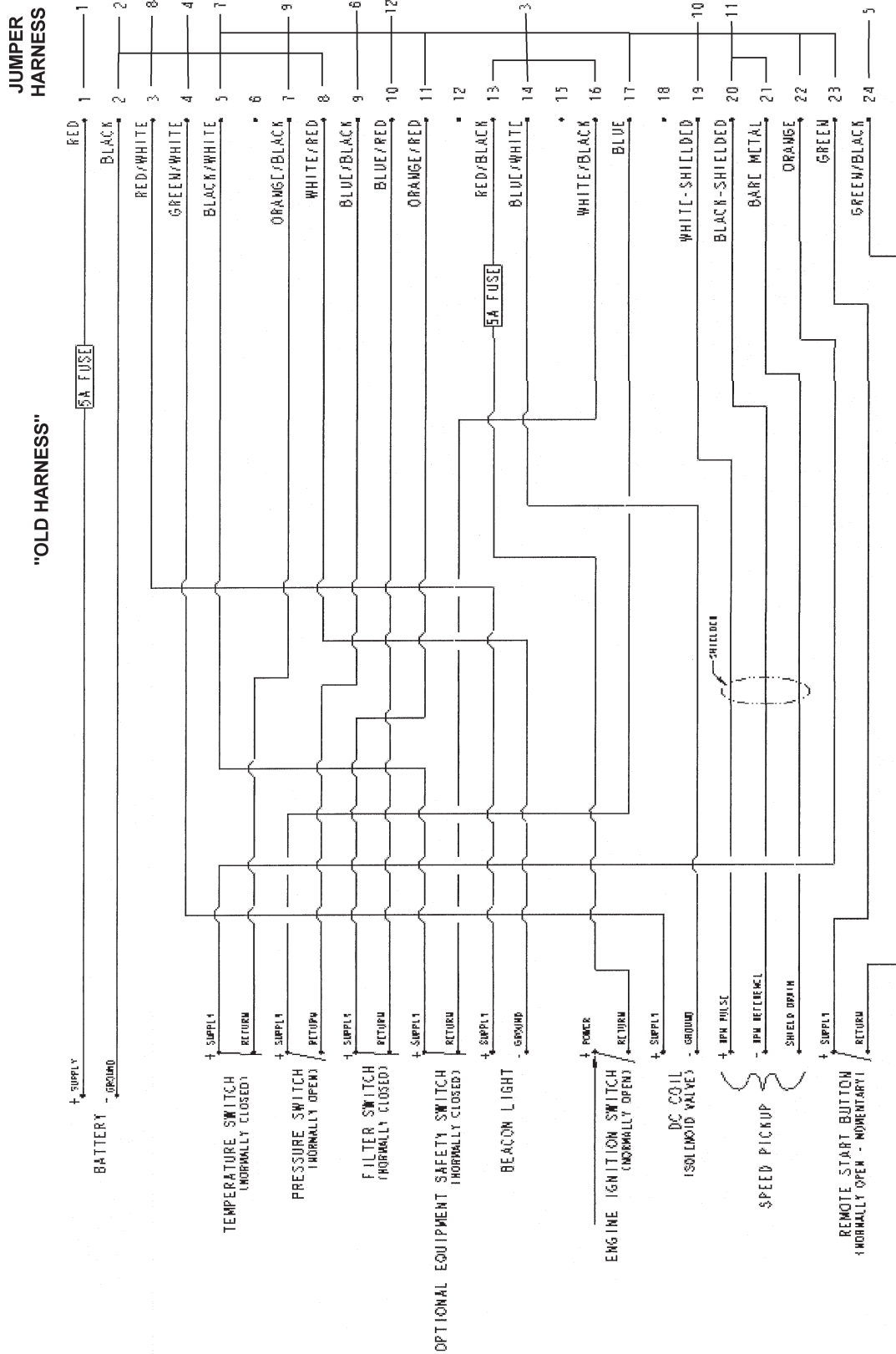
**MAIN WIRING HARNESS - MACHINE - SEE FOLD OUTS
PAGE FO-5 IN APPENDIX A AT THE END OF THE MANUAL**

**MAIN GRAPPLE LOADER HARNESS (5700518) - MACHINE
- SEE FOLD OUTS PAGE FO-6 IN APPENDIX A AT THE
END OF THE MANUAL**

**MAIN GRAPPLE LOADER HARNESS (5700518) - CONTROL
PANEL - SEE FOLD OUTS PAGE FO-7 IN APPENDIX A AT
THE END OF THE MANUAL**

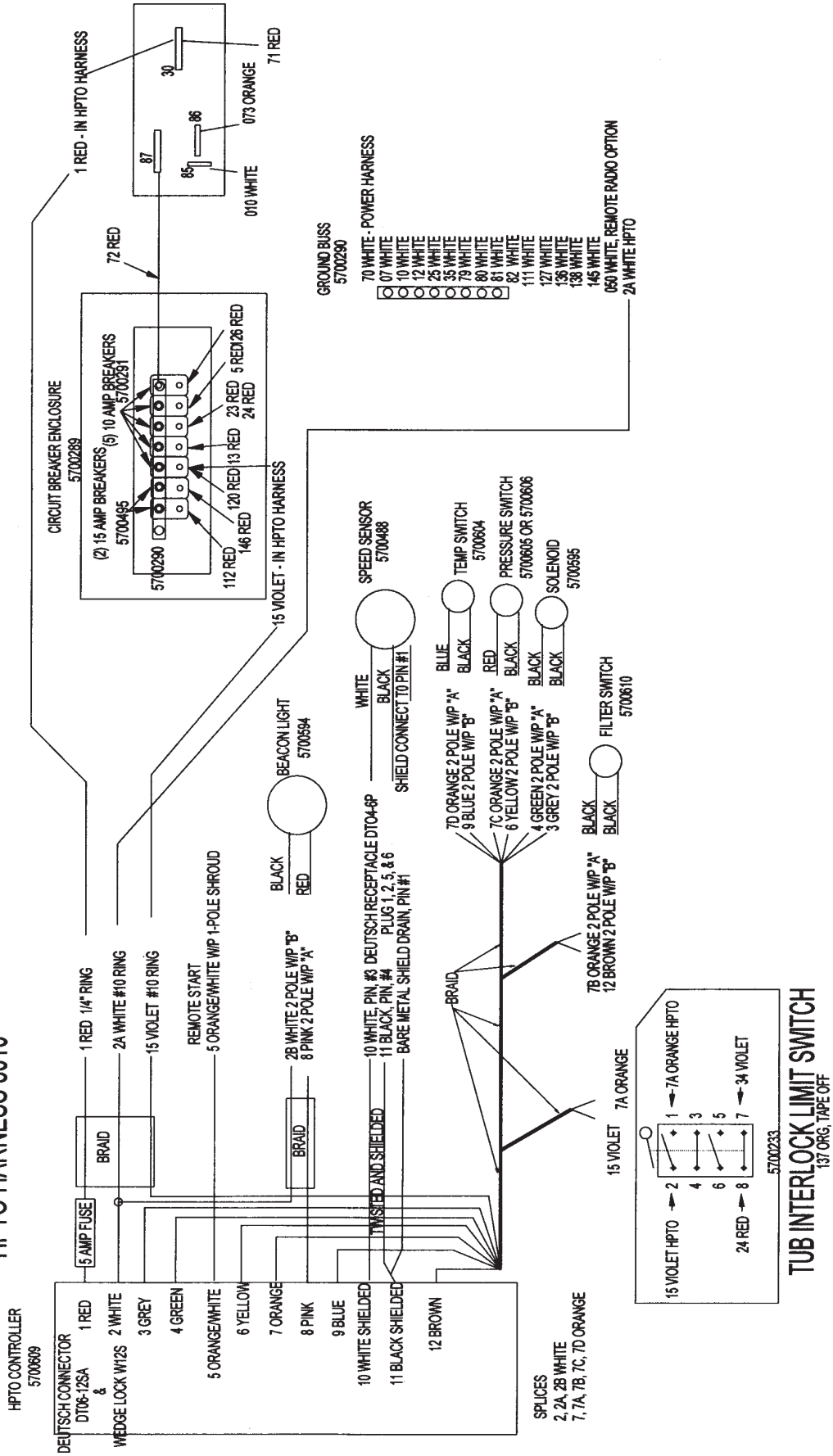


OLD CLUTCH HARNESS

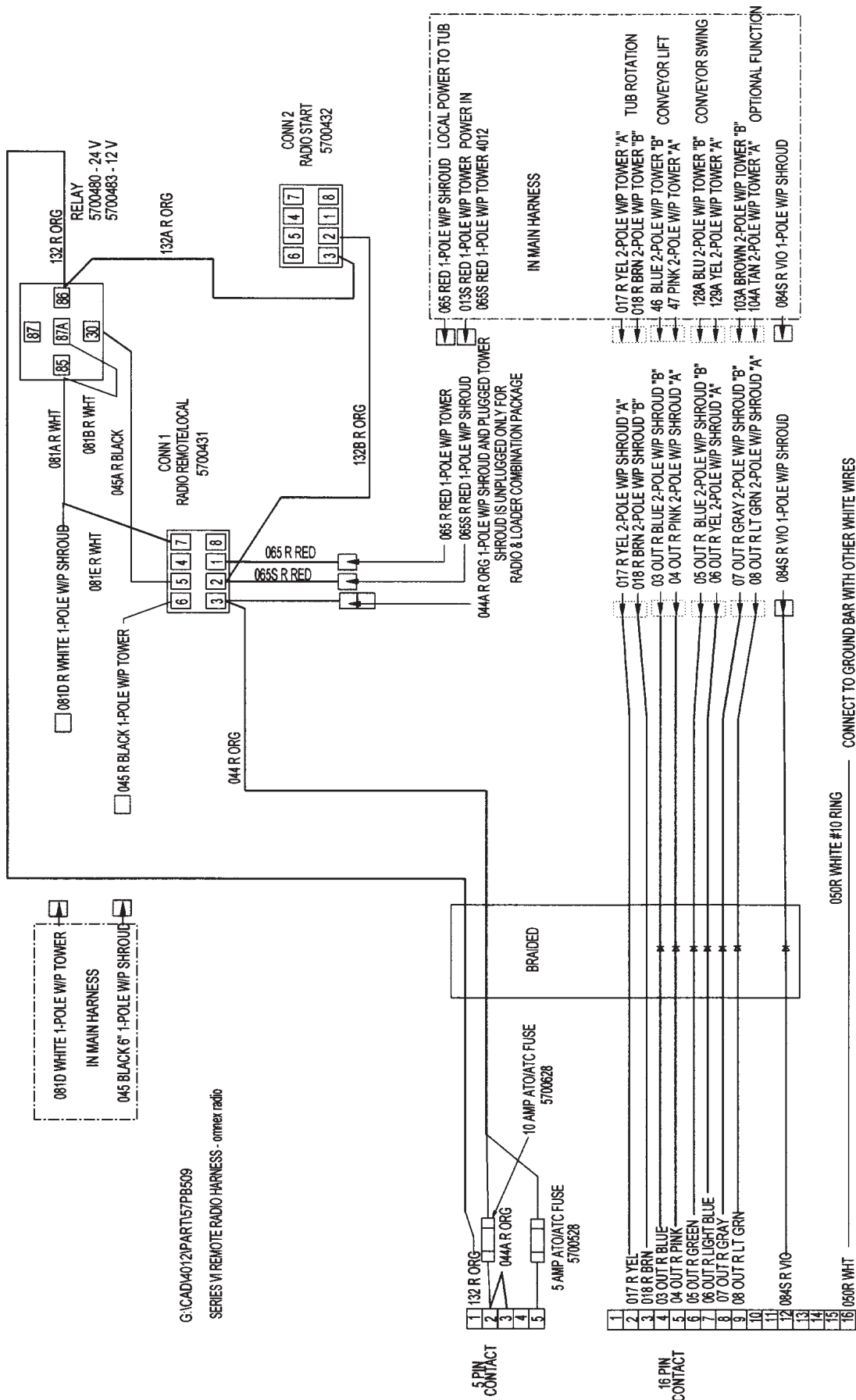


5700540

HPTO HARNESS 3010

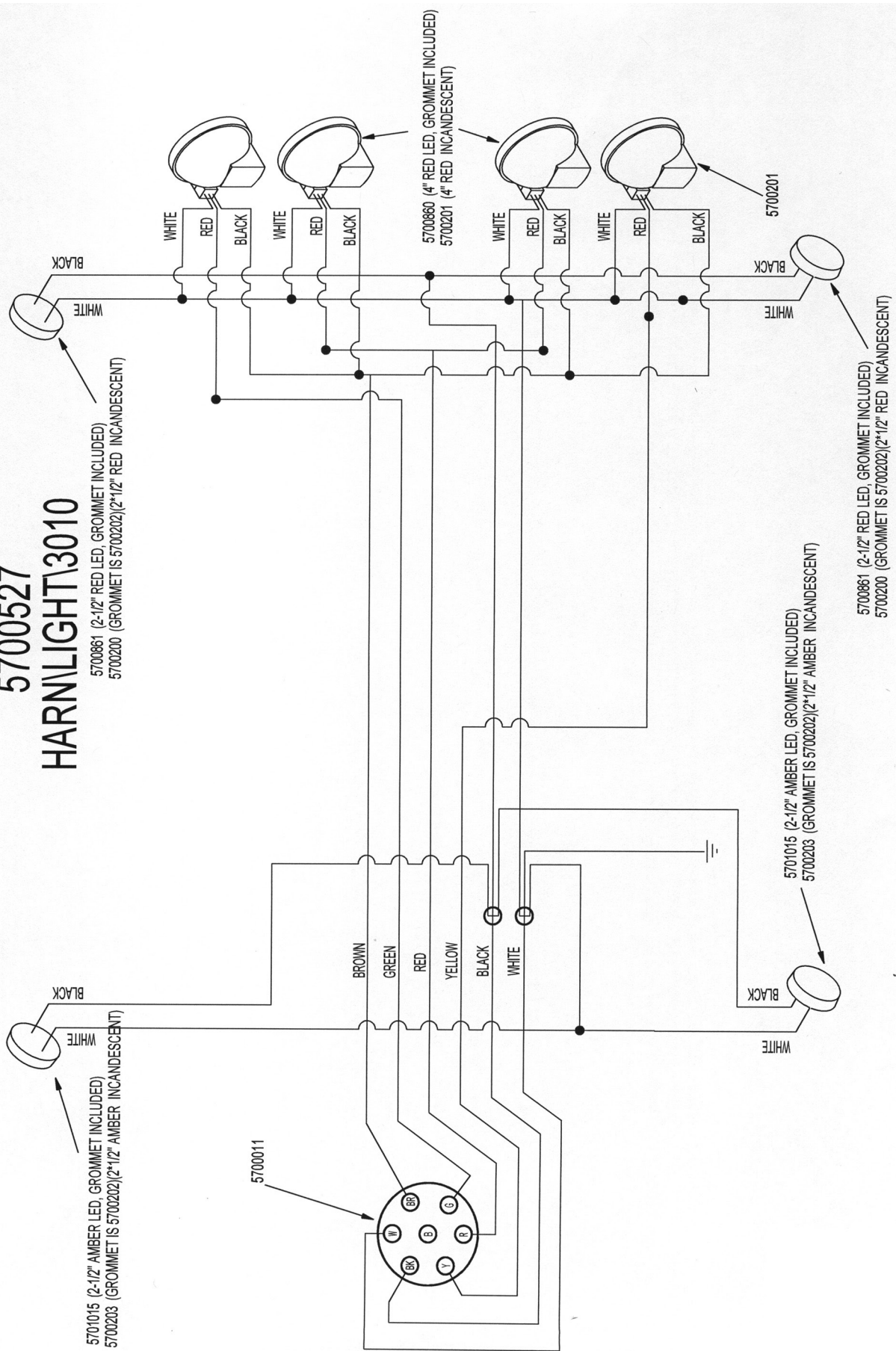


OMNEX RADIO WIRING HARNESS - 5700509

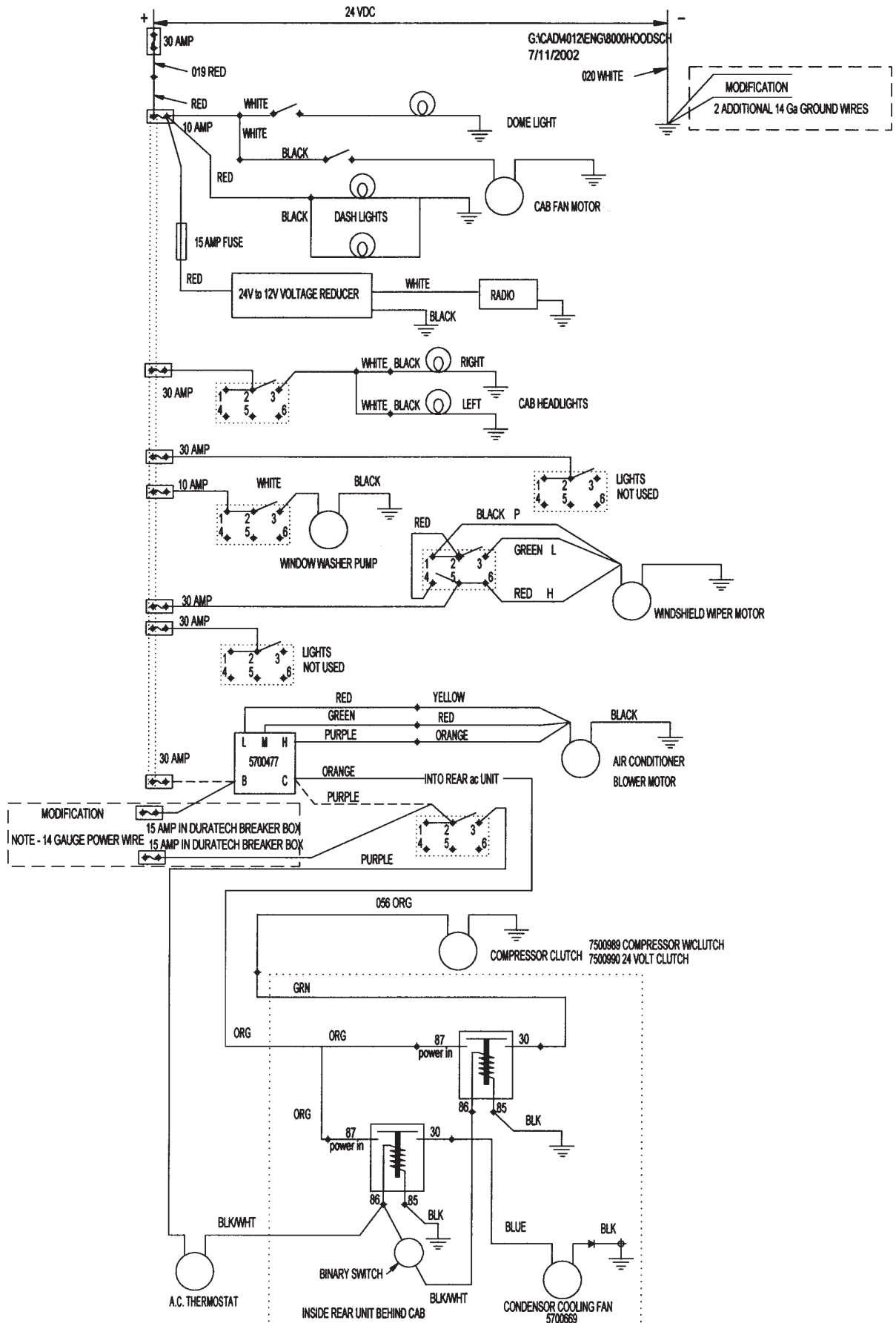


G:\CAD\4012\PART\57PB509
 SERIES VI REMOTE RADIO HARNESS - omnex radio

5700527
HARNLIGHT\3010



CAB LOADER SCHEMATIC



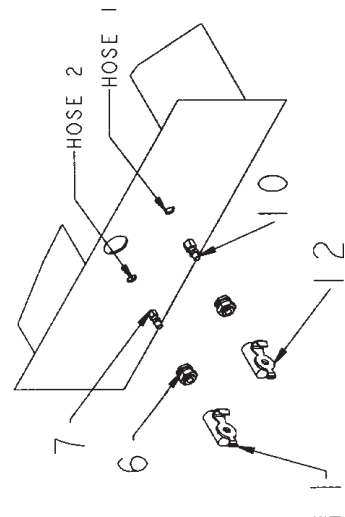
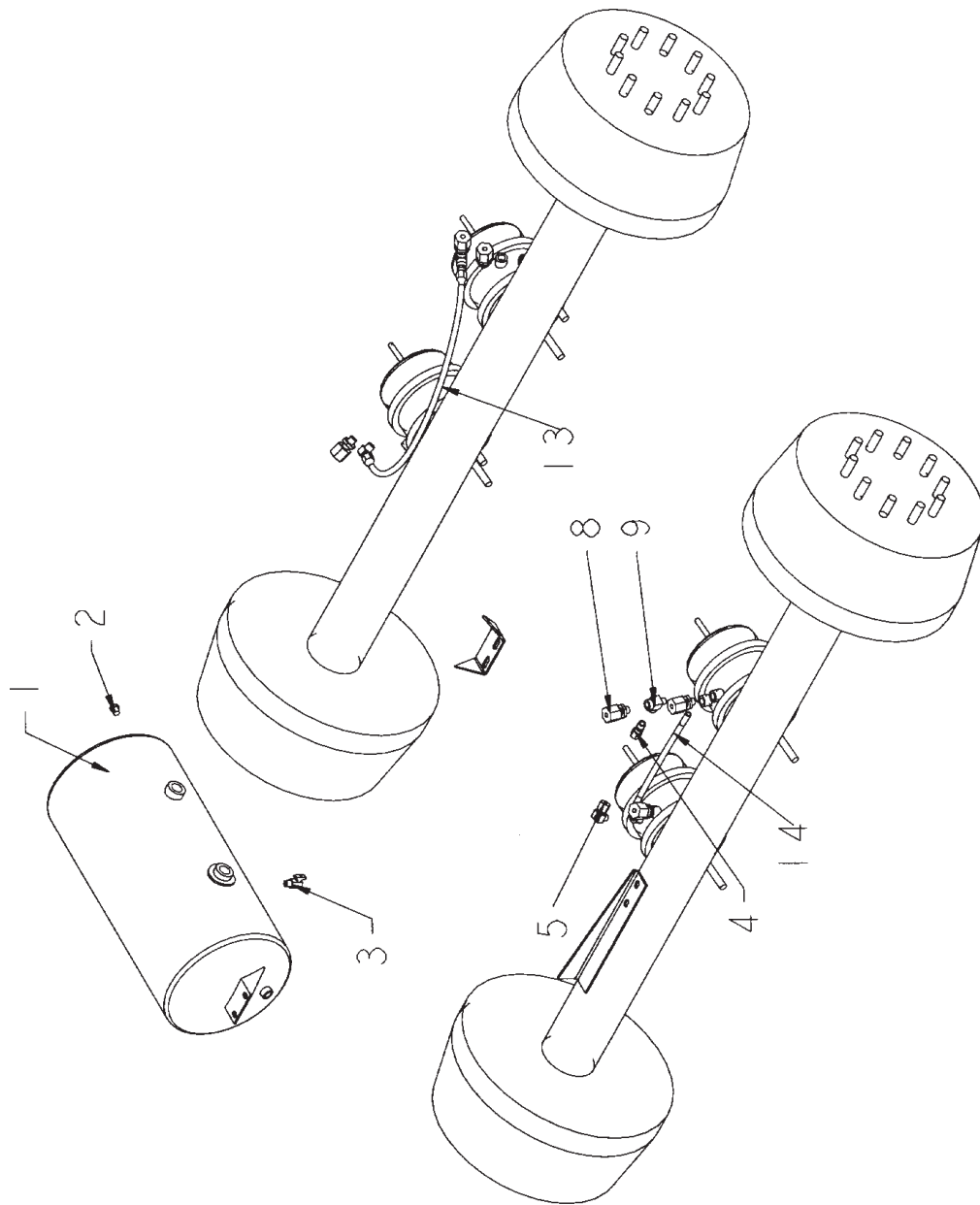
ELECTRICAL PARTS LIST

ITEM	PART
4000229	VALVE\HYD\SOL\24V\WPACK AND DIODE
4300088	SNSR\MAG\W\HDW
4300034	CNTRL BOX\NEW STYLE\RCB93
4300054	VALVE\SOLENOID\24V\JEMM
4300068	HARN\GOV\ELEC
4300069	VALVE\SERVO\25GPM\24VDC\ CV98 BODY
5700011	TERM\7POLE\TRLR\CONN
5700016	BATTERY DISCONNECT SWITCH
5700200	LAMP\CL\12VDC\2-1/2RD\RED
5700201	LAMP\TAIL\4-1/2\COMP\RED\W\GRMT
5700202	LAMP\GRMMT\2-1/2\KIT\
5700203	LAMP\CL\12VDC\2-1/2RD\RED
5700230	BOX\CNTRL\SAFETY SHUTDOWN
5700233	SWITCH\LIMIT\802T
5700256	ALARM\ELEC\BACK-UP
5700289	ENCL\BRKR\CRCT\7-POLE
5700290	TERM\BAR\BUS\8-POLE
5700291	BRKR\CRCT\10A\AUTO\TYPE1
5700292	BRKR\CRCT\30A\AUTO\TYPE1
5700317	LAMP\HALOGEN\4X6\24V
5700343	ENCL\BOOT\BRKR\CRCT\RED
5700364	HARN\SUPPLY\POWER
5700403	SWITCH\BUTTON\PUSH
5700430	SWITCH\RCKR\DPST\24V\1LT\MAINTAINED
5700431	SWITCH\RCKR\DPDT\24V\2LT\15A\DC\TWO;LIGHT\MAINTND
5700432	SWITCH\RCKR\DPDT\24V\UNLITDC\15A\UNLIT\MOMNTRY
5700444	RADIO\REMOTE\OMNEX\900MHZ
5700480	RELAY\SPDT\24V\20A\5T\DIO
5700488	SNSR\MAG\CAT
5700495	BRKR\CRCT\15A\AUTO\TYPE1
5700503	HARN\MAIN\1150
5700504	RELAY\POWR\24V\SPST\W\DIO
5700506	GAUGE\HOUR\RESET
5700509	HARN\RADIO\OMNX\8OUTPUT
5700510	BOOT\DUST\PUSHBUTTON for 5700403
5700527	HARN\LIGHT\3010
5700537	MTR\ELEC\24V\0.03HP\
5700540	HARN\HPTO\3010 & 4012
5700553	RADIO\REMOTE\OMNEX\915MHZ
5700554	RADIO\REMOTE\OMNEX\2.4GHZ
5700627	BULB\HALOGEN\24V
7500668	GAUGE\FUEL\ELEC\12 V
7500669	GAUGE\FUEL\SENDING\UNIT
7500670	GAUGE\VOLTAGE\ADPT\24-12V
7500706	GAUGE\FUEL\24V
7500668	GAUGE\FUEL\ELEC\12 V
7500669	GAUGE\FUEL\SENDING\UNIT
7500670	GAUGE\VOLTAGE\ADPT\24-12V
7500706	GAUGE\FUEL\24V



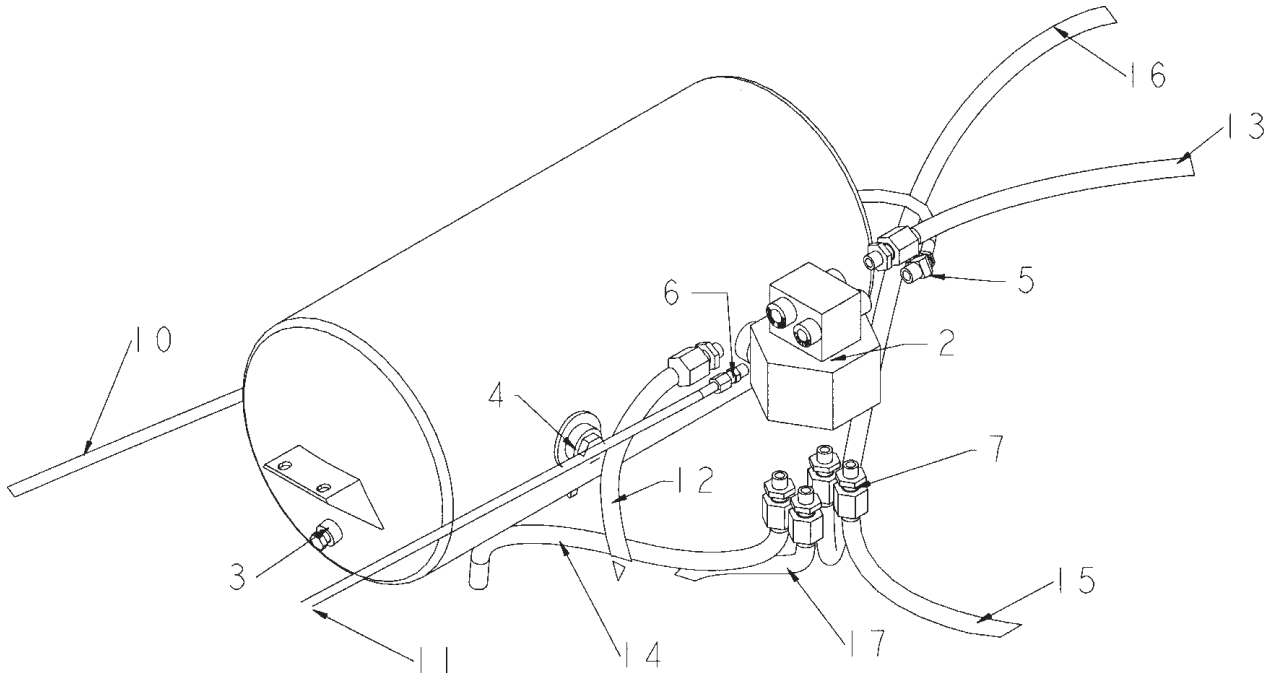
Clearing the Way for a Better Tomorrow

UNIVERSAL AIR BRAKE PARTS

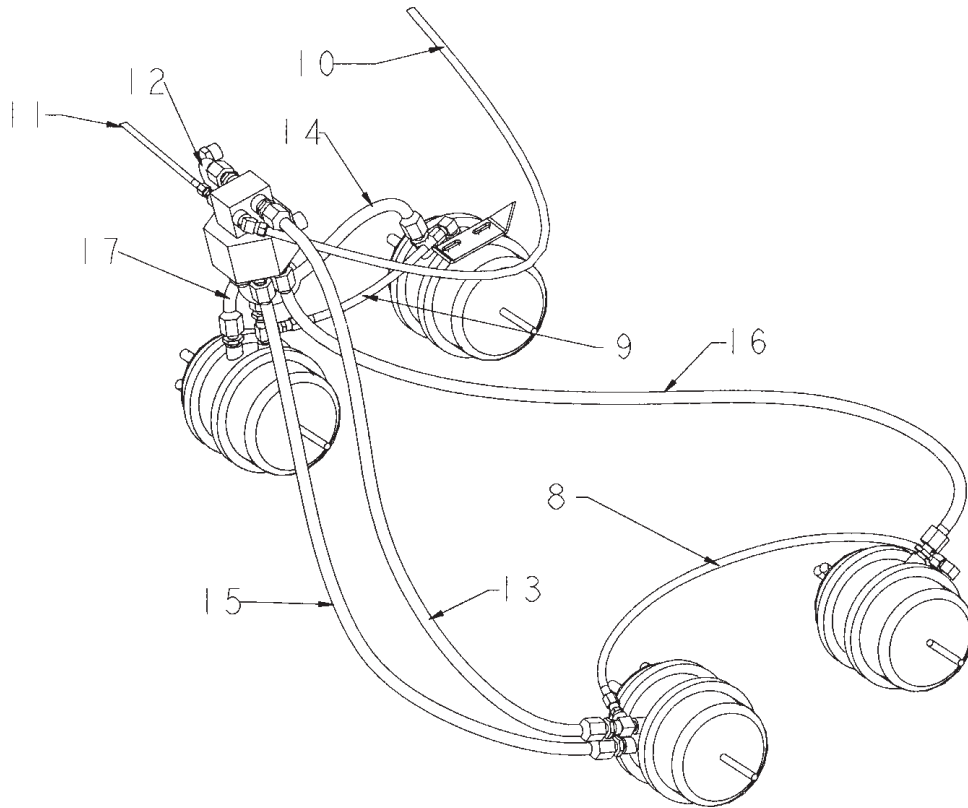


UNIVERSAL AIR BRAKE PARTS

ITEM	PART	QTY.	PART DESCRIPTION
1	2500957	1	TANK\AIR\2880\2BUNG\1SIDE
2	3800173	1	FTG\3/8MP\PLUG\HEX
3	3800518	1	FTG\AIR\1/4MP\DRAIN\BRS
4	3800520	2	FTG\AIR\1/2COMPX3/8MP\ADPT\BRS\LW
5	3800554	2	FTG\AIR\1/2COMPX3/8MP\90
6	3800640	2	FTG\AIR\3/8FP\BLKHD\BUSH
7	3800782	1	FTG\AIR\3/8COMPX1/4MP\ADPT\BRS\LW
8	3800785	6	FTG\AIR\3/8COMPRUBX3/8MP\ADPT\LW
9	3800786	2	FTG\BRS\3/8MPX3/8FPX3/8FP
10	3800787	1	FTG\AIR\1/2COMPX1/4MP\ADPT\BRS\LW
11	7500461	1	GLAD HAND SERVICE
12	7500462	1	GLAD HAND EMERGENCY
13	AIR3_3010	1	LEFT-RIGHT REAR EMERGENCY CHAMBER
14	AIR4_3010	1	LEFT-RIGHT FRONT EMERGENCY CHAMBER
	3700463	per ft	HOSE\AIR\3/8\NYLON\BRK
	3700464	per ft	HOSE\AIR\1/2\NYLON\BRK
	3700636	per ft	HOSE\AIR\3/8\RUBBER\BRK



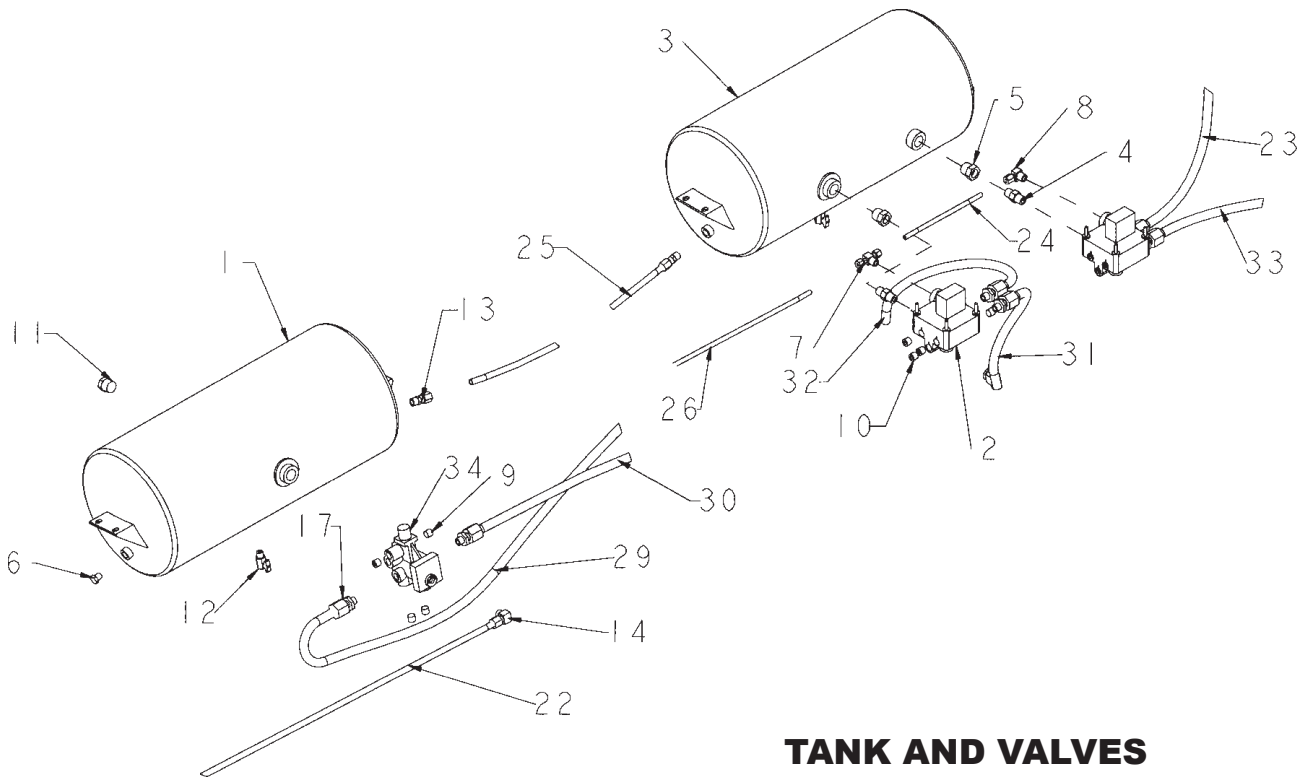
TANK



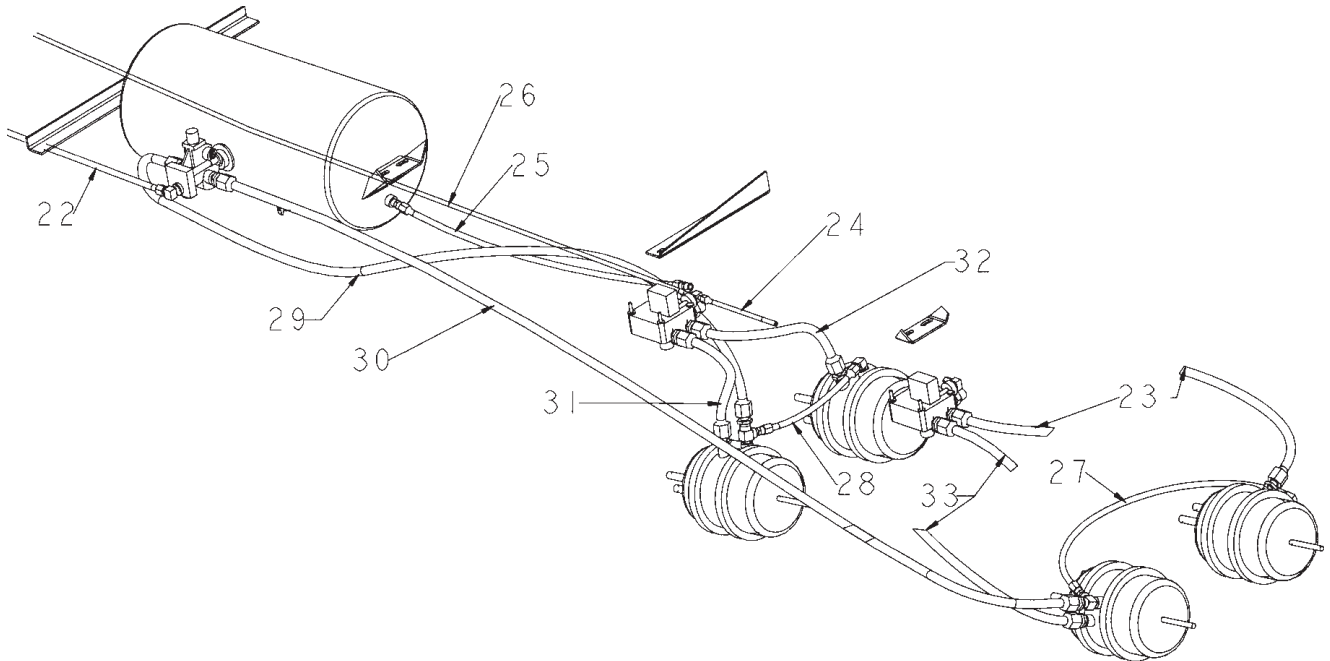
VALVE AND CHAMBERS

UNITED STATES AIR BRAKES

ITEM	PART	QTY.	PART DESCRIPTION
1	3010_BRAKES_US_VERSION	1	3010_BRAKES_US_VERSION
2	2500956	1	VLV\BRK\FULL FUNC\NON ABS
3	3800173	2	FTG\3/8MP\PLUG\HEX
4	3800441	1	FTG\3/4MP\PLUG\HEX
5	3800776	1	FTG\AIR\1/2COMPX3/8MP\45D
6	3800782	2	FTG\AIR\3/8COMPX1/4MP\ADPT\BRS\LW
7	3800785	12	FTG\AIR\3/8COMPRUBX3/8MP\ADPT\LW
8	AIR_3_3010_1155	1	LEFT-RIGHT REAR EMERGENCY CHAMBER
9	AIR_4_3010_1155	1	LEFT-RIGHT FRONT EMERGENCY CHAMBER
10	AIR_1_3010_1155	1	EMERGENCY_SUPPLY
11	AIR_2_3010_1155	1	SERVICE
12	AIR_5_3010_1155	1	SUPPLY TO FRONT EMERGENCY CHAMBERS
13	AIR_6_3010_1155	1	SUPPLY TO REAR EMERGENCY CHAMBERS
14	AIR_7_3010_1155	1	DELIVERY TO FRONT LEFT SERVICE CHAMBER
15	AIR_8_3010_1155	1	DELIVERY TO FRONT RIGHT SERVICE CHAMBER
16	AIR_9_3010_1155	1	DELIVERY TO REAR LEFT SERVICE CHAMBER
17	AIR_10_3010_1155	1	DELIVERY TO REAR RIGHT SERVICE CHAMBER
	3700463	per ft	HOSE\AIR\3/8\NYLON\BRK
	3700464	per ft	HOSE\AIR\1/2\NYLON\BRK
	3700636	per ft	HOSE\AIR\3/8\RUBBER\BRK



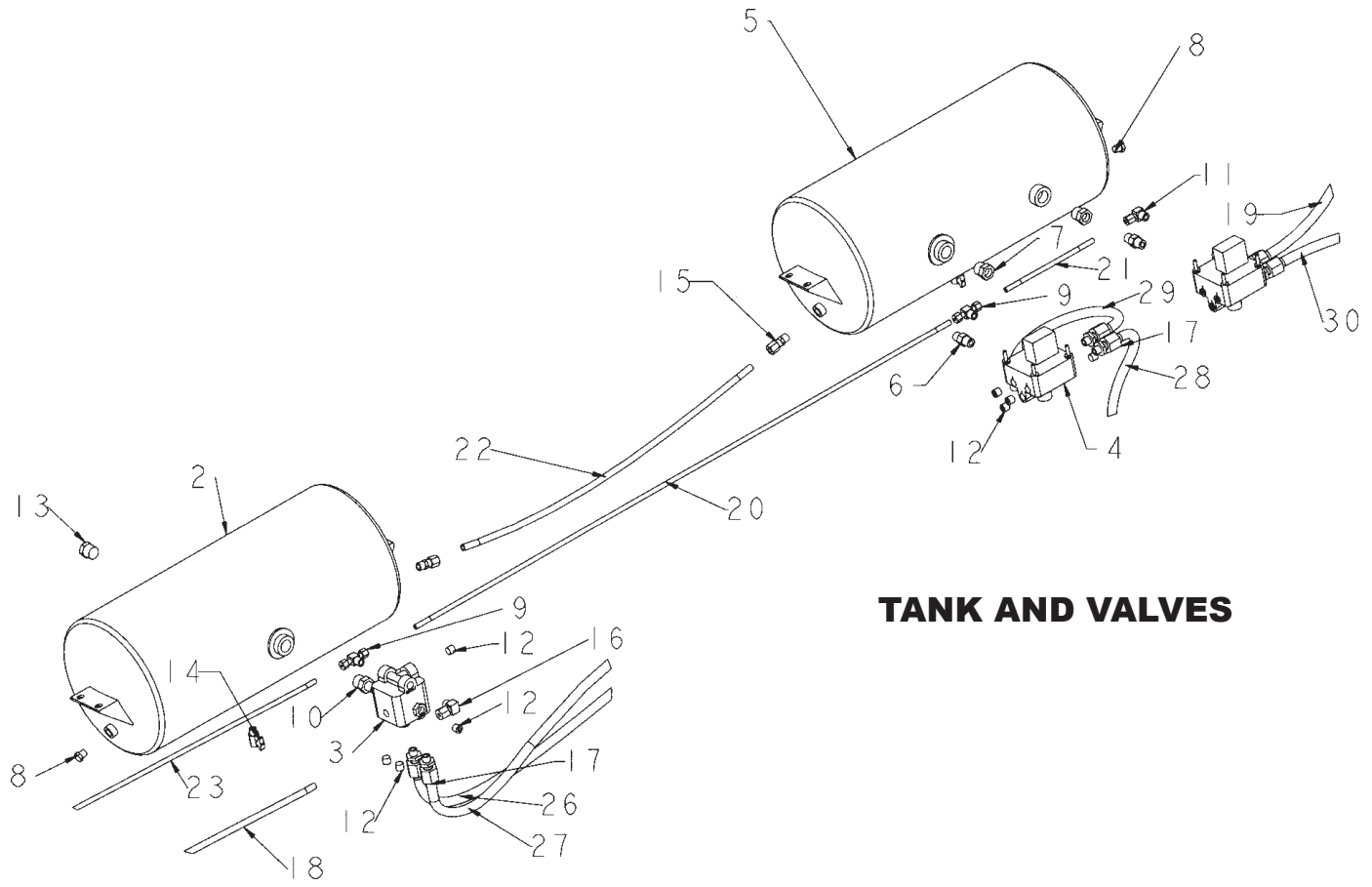
TANK AND VALVES



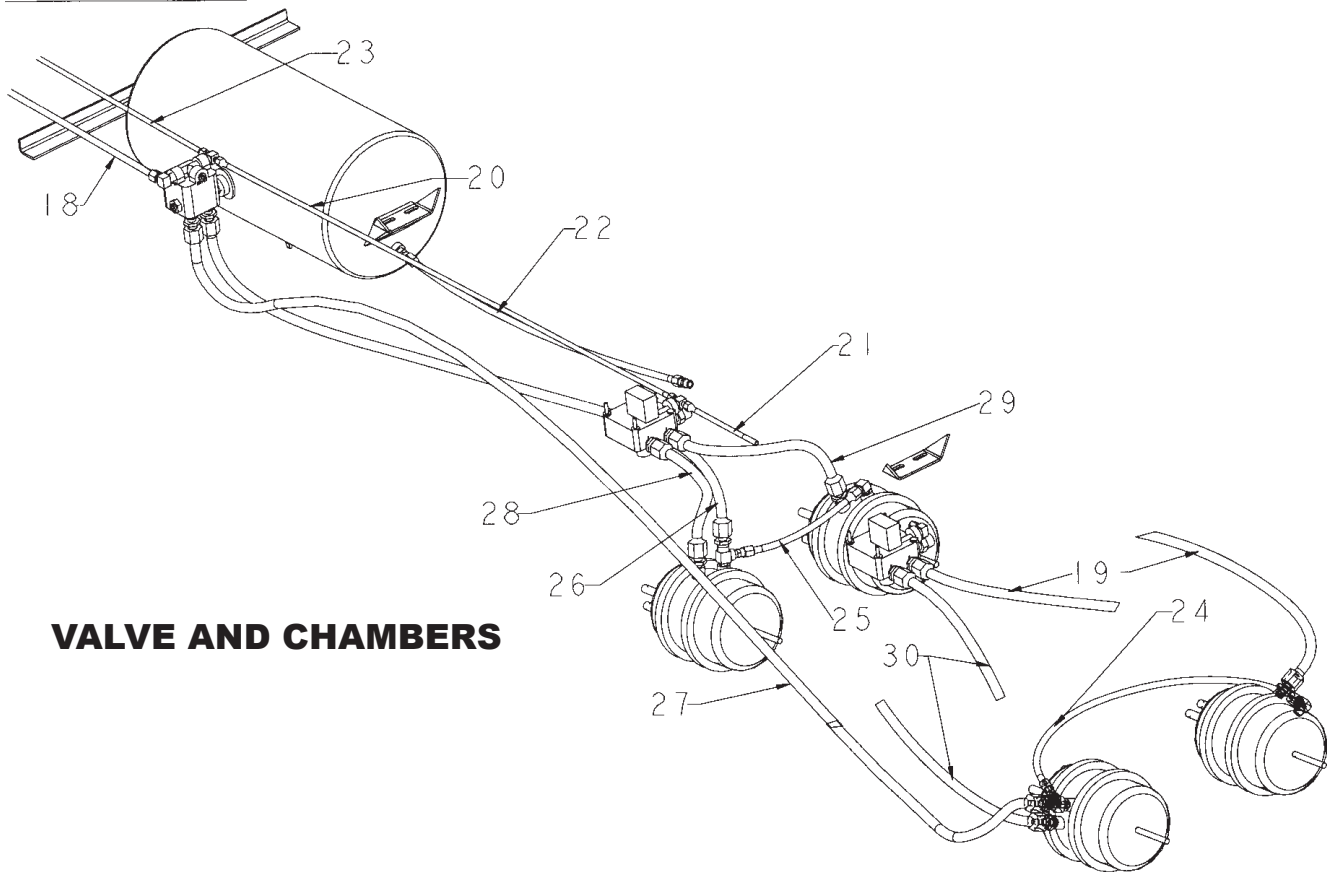
VALVE AND CHAMBERS

AUSTRALIAN AIR BRAKES

ITEM	PART	QTY.	PART DESCRIPTION
1	2500919	1	TANK\AIR\2880\1BUNG\2SIDE
2	2500939	2	VALVE\ABS\RV040
3	2500957	1	TANK\AIR\2880\2BUNG\1SIDE
4	3800005	2	FTG\1/2MP\CLOSE\NIPPLE
5	3800010	2	FTG\3/4MPX1/2FP\BUSH
6	3800173	2	FTG\3/8MP\PLUG\HEX
7	3800190	1	FTG\AIR\3/8COMPX3/8COMPX3/8MP\BR;TEE
8	3800194	1	FTG\AIR\3/8COMPX3/8MP\90
9	3800281	2	FTG\1/4MP\PLUG\ALN
10	3800326	10	FTG\3/8MP\PLUG\ALN
11	3800441	1	FTG\3/4MP\PLUG\HEX
12	3800518	2	FTG\AIR\1/4MP\DRAIN\BRS
13	3800520	4	FTG\AIR\1/2COMPX3/8MP\ADPT\BRS\LW
14	3800554	3	FTG\AIR\1/2COMPX3/8MP\90
15	3800640	2	FTG\AIR\3/8FP\BLKHD\BUSH
16	3800782	1	FTG\AIR\3/8COMPX1/4MP\ADPT\BRS\LW
17	3800785	12	FTG\AIR\3/8COMPRUBX3/8MP\ADPT\LW
18	3800786	2	FTG\BRS\3/8MPX3/8FPX3/8FP
19	3800787	1	FTG\AIR\1/2COMPX1/4MP\ADPT\BRS\LW
20	7500461	1	GLAD HAND SERVICE
21	7500462	1	GLAD HAND EMERGENCY
22	AIR_1_3010	1	EMERGENCY_SUPPLY
23	AIR_2_3010	1	SERVICE
24	AIR_3_3010	1	LEFT-RIGHT REAR EMERGENCY CHAMBER
25	AIR_4_3010	1	LEFT-RIGHT FRONT EMERGENCY CHAMBER
26	AIR_5_3010	1	SUPPLY TO FRONT EMERGENCY CHAMBERS
27	AIR_6_3010	1	SUPPLY TO REAR EMERGENCY CHAMBERS
28	AIR_7_3010	1	DELIVERY TO FRONT LEFT CHAMBER
29	AIR_8_3010	1	DELIVERY TO FRONT RIGHT CHAMBER
30	AIR_9_3010	1	DELIVERY TO REAR LEFT CHAMBER
31	AIR_10_3010	1	DELIVERY TO REAR RIGHT CHAMBER
32	AIR_12_3010	1	SERVICE
33	AIR_13_3010	1	TANK SUPPLY
34	SR38	1	springbrake valve
	3700463	per ft	HOSE\AIR\3/8\NYLON\BRK
	3700464	per ft	HOSE\AIR\1/2\NYLON\BRK
	3700636	per ft	HOSE\AIR\3/8\RUBBER\BRK



TANK AND VALVES

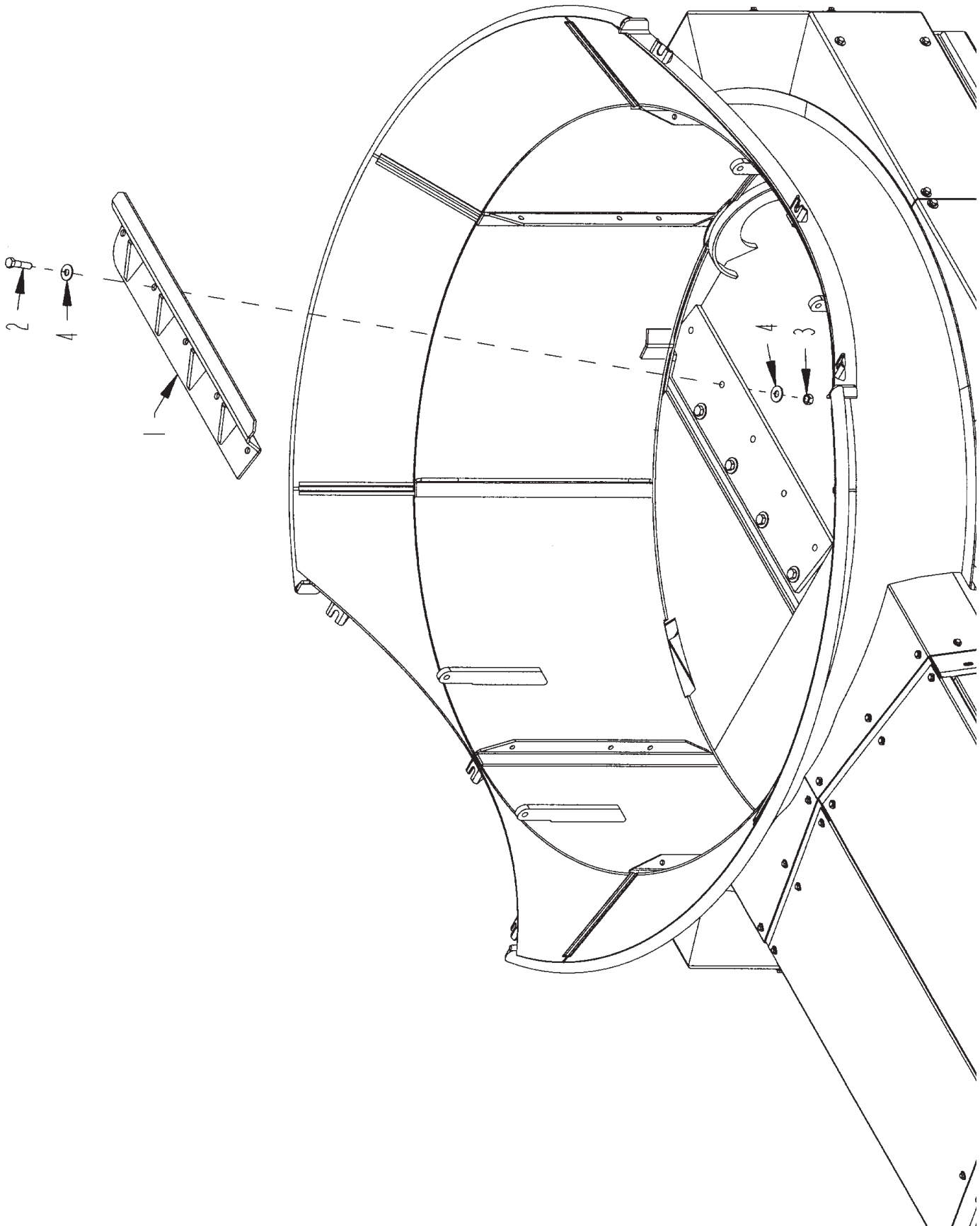


VALVE AND CHAMBERS

ABS AIR BRAKES

ITEM	PART	QTY.	PART DESCRIPTION
1	3010_BRAKES_ABS_VERSION	1	3010_BRAKES_ABS_VERSION
2	2500919	1	TANK\AIR\2880\1BUNG\2SIDE
3	2500932	1	VALVE\AIR\SPRING\RT4
4	2500939	2	VALVE\ABS\RV040
5	2500957	1	TANK\AIR\2880\2BUNG\1SIDE
6	3800005	2	FTG\1/2MP\CLOSE\NIPPLE
7	3800010	2	FTG\3/4MPX1/2FP\BUSH
8	3800173	2	FTG\3/8MP\PLUG\HEX
9	3800190	2	FTG\AIR\3/8COMPX3/8COMPX3/8MP\BR;TEE
10	3800193	1	FTG\3/4MPX1/2MP\NPL
11	3800194	1	FTG\AIR\3/8COMPX3/8MP\90
12	3800326	12	FTG\3/8MP\PLUG\ALN
13	3800441	1	FTG\3/4MP\PLUG\HEX
14	3800518	2	FTG\AIR\1/4MP\DRAIN\BRS
15	3800520	4	FTG\AIR\1/2COMPX3/8MP\ADPT\BRS\LW
16	3800554	3	FTG\AIR\1/2COMPX3/8MP\90
17	3800785	12	FTG\AIR\3/8COMPRUBX3/8MP\ADPT\LW
18	AIR_1_3010_ABS	1	EMERGENCY_SUPPLY
19	AIR_2_3010_ABS	1	SERVICE
20	AIR_3_3010_ABS	1	LEFT-RIGHT REAR EMERGENCY CHAMBER
21	AIR_4_3010_ABS	1	LEFT-RIGHT FRONT EMERGENCY CHAMBER
22	AIR_5_3010_ABS	1	SUPPLY TO FRONT EMERGENCY CHAMBERS
23	AIR_6_3010_ABS	1	SUPPLY TO REAR EMERGENCY CHAMBERS
24	AIR_7_3010_ABS	1	DELIVERY TO FRONT LEFT CHAMBER
25	AIR_8_3010_ABS	1	DELIVERY TO FRONT RIGHT CHAMBER
26	AIR_9_3010_ABS	1	DELIVERY TO REAR LEFT CHAMBER
27	AIR_10_3010_ABS	1	DELIVERY TO REAR RIGHT CHAMBER
28	AIR_11_3010_ABS	1	SERVICE
29	AIR_12_3010_ABS	1	SERVICE
30	AIR_13_3010_ABS	1	TANK SUPPLY
	3700463	per ft	HOSE\AIR\3/8\NYLON\BRK
	3700464	per ft	HOSE\AIR\1/2\NYLON\BRK
	3700636	per ft	HOSE\AIR\3/8\RUBBER\BRK

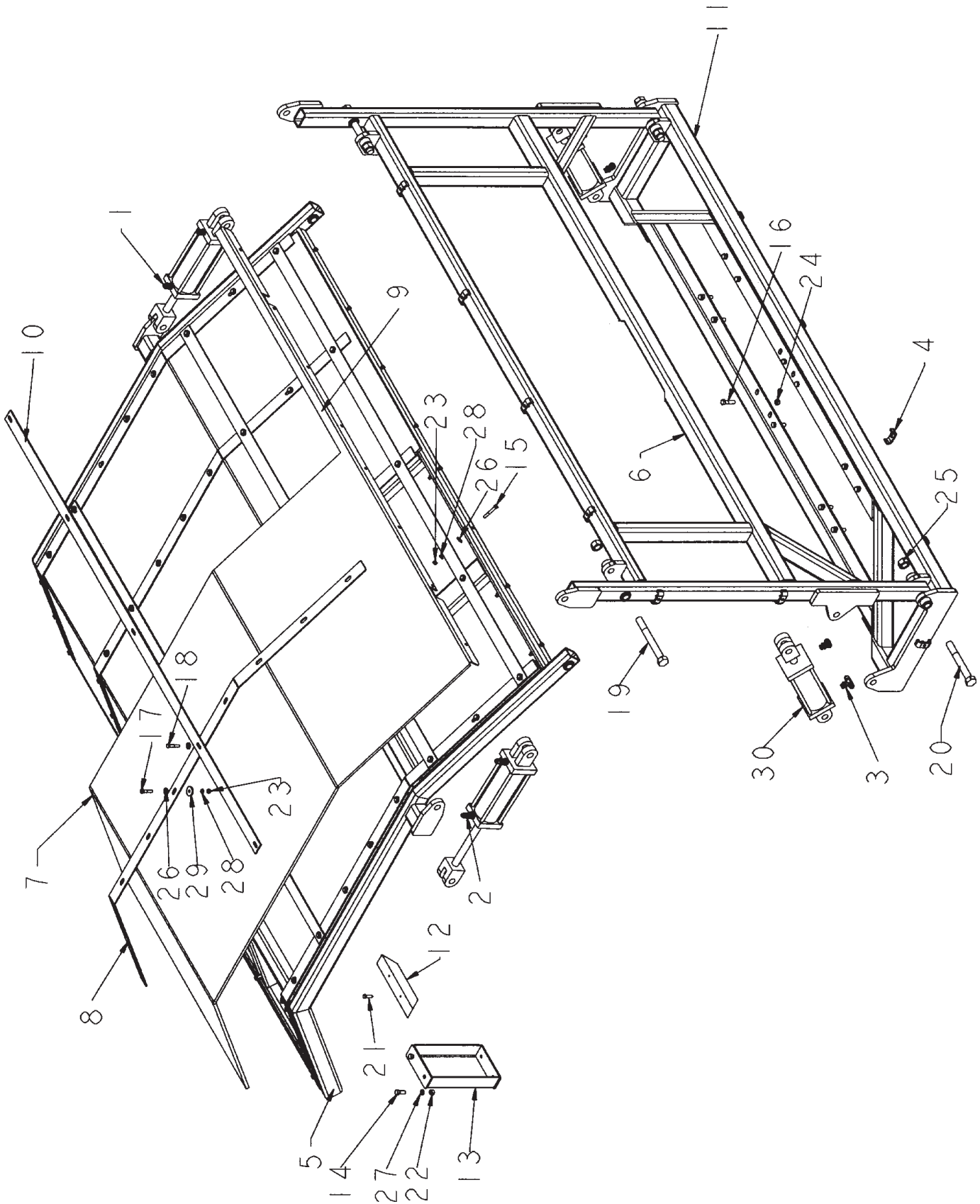
MILL COVER ASSEMBLY



MILL COVER ASSEMBLY

ITEM	PART	QTY.	PART DESCRIPTION
1	4703764	1	CVR\MILL
2	4800017	5	BOLT\HEX\3/4X3
3	4900139	5	NUT\TPLCK\3/4\GR8\NC
4	5000005	10	WASH\FLAT\3/4

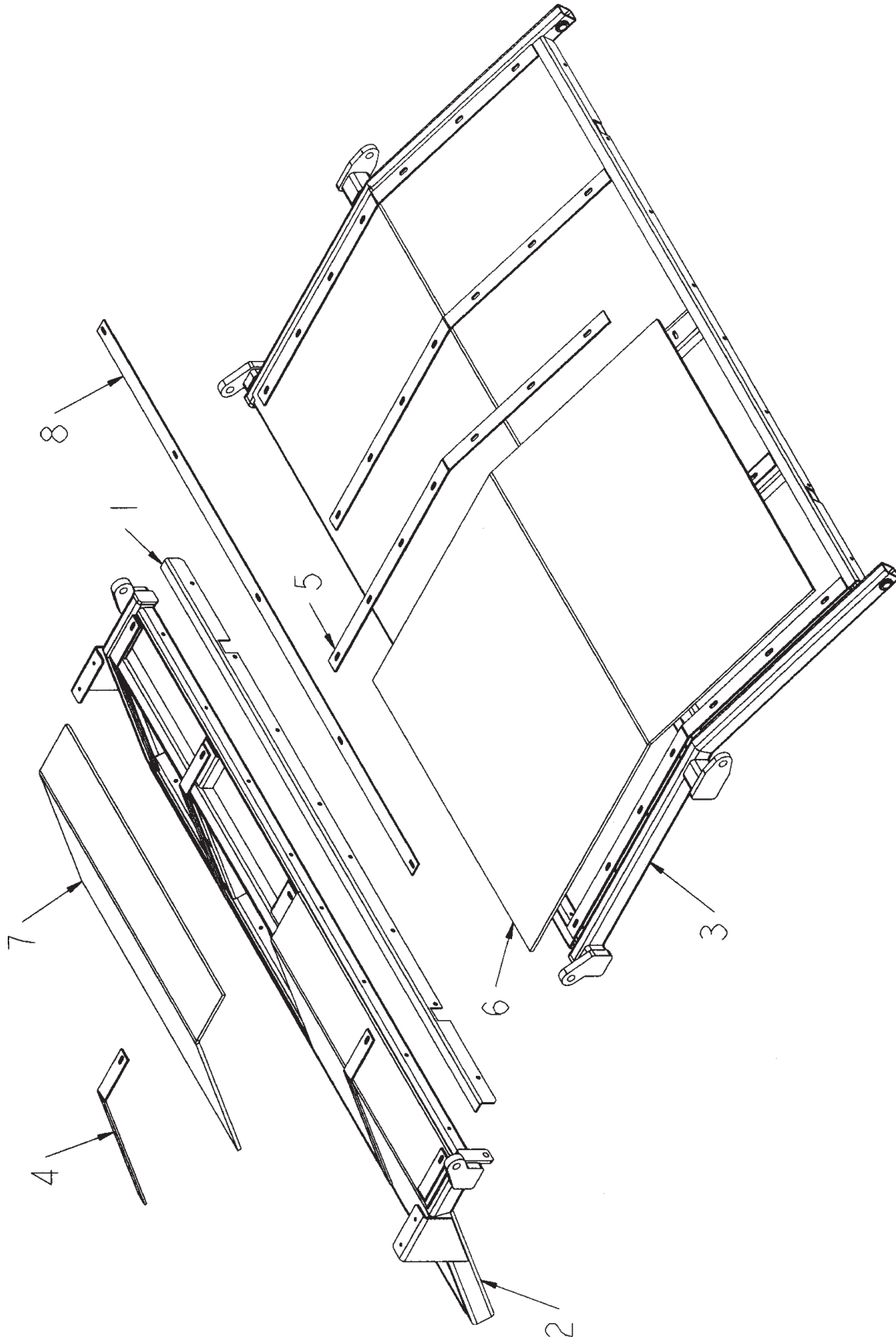
TUB COVER ASSEMBLY



TUB COVER ASSEMBLY

ITEM	PART	QTY.	PART DESCRIPTION
1	3800453	5	FTG\3/4MORX9/16MJIC\90
2	3800483	2	FTG\3/4MORX3/4MJICX3/4MJIC\RUN;TEE
3	3800588	2	FTG\3/4MJICX3/4MJICX3/4MOR\TEE
4	4700776	13	CLMP\HOSE\3/8
5	4702627	1	FRM\OBJ\THROWN\TOP\HD10
6	4702628	1	FRM\OBJ\THROWN\SIDE\HD10
7	4702633	2	SCRN\WIRE\FRM\OBJ\THROWN
8	4702634	5	FLAT\CLMP\SCRN\FRM\OBJ\THROWN
9	4702635	2	ANGLE\SCRN\OBJ\THROWN
10	4703031	4	FLAT\CLMP\SCRN\TC\HD10
11	4703729	1	BRKT\LOWER\COVER\TOC
12	4704099	2	BMPR\CNVYR\DISCH
13	4704224	2	ASSY\STAND\COVER\TUB (OPTION)
14	4800018	4	BOLT\HEX\1/2X1-1/4
15	4800029	16	BOLT\HEX\3/8X2-1/2
16	4800114	12	BOLT\HEX\1/2X2
17	4800142	35	BOLT\HEX\3/8X1-3/4
18	4800146	20	BOLT\HEX\3/8X2
19	4800601	2	BOLT\HEX\1X9\NC
20	4800632	2	*BOLT\HEX\1X8\NC\GR5\PLT
21	4801198	4	SCR\LAG\3/8X1-1/2
22	4900001	4	NUT\HEX\1/2\NC
23	4900002	71	NUT\HEX\3/8\NC
24	4900014	12	NUT\TPLCK\1/2\NC
25	4900015	4	NUT\NYLCK\1\NC
26	5000001	71	WASH\FLAT\3/8
27	5000006	4	WASH\LOCK\1/2
28	5000019	71	WASH\LOCK\3/8
29	5000096	55	WASH\FLAT\SPCL\13/32X7GAX1-1/2OD
30	4100185	4	CYL\HYD\3-1/2X8\TIE

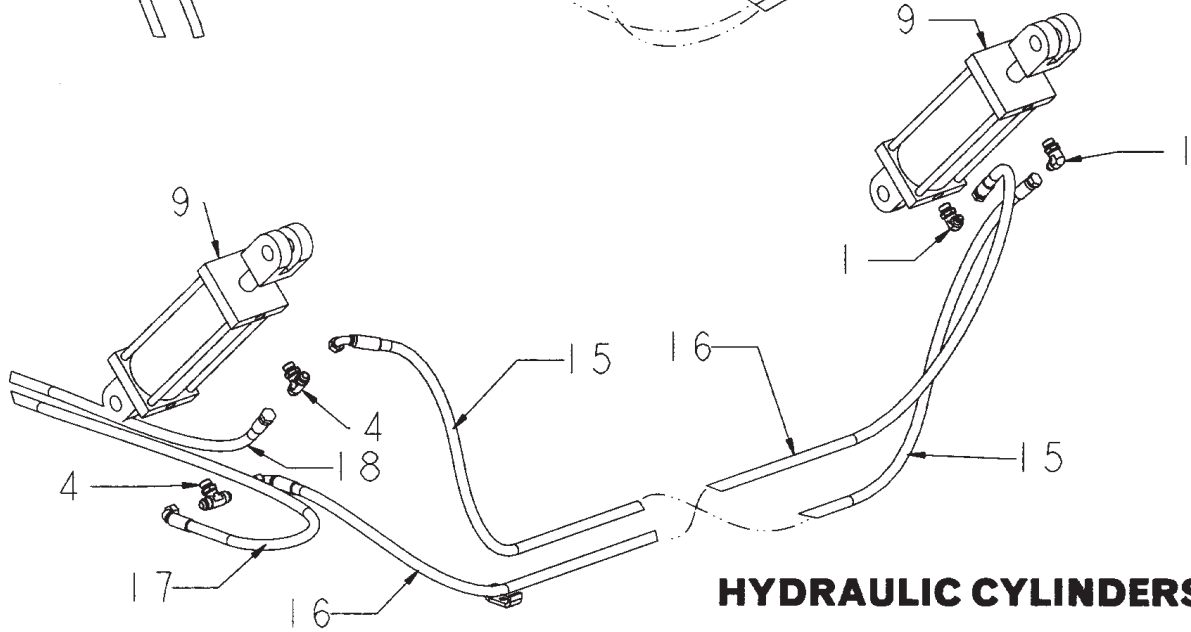
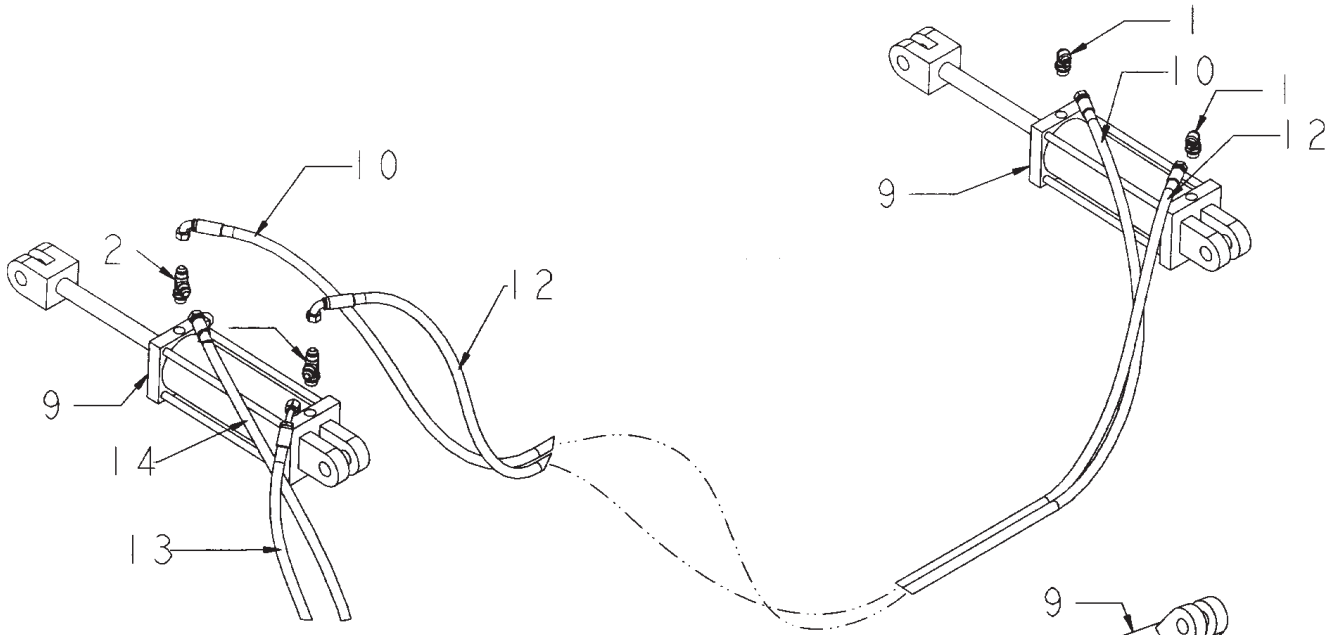
HINGED TUB COVER ASSEMBLY



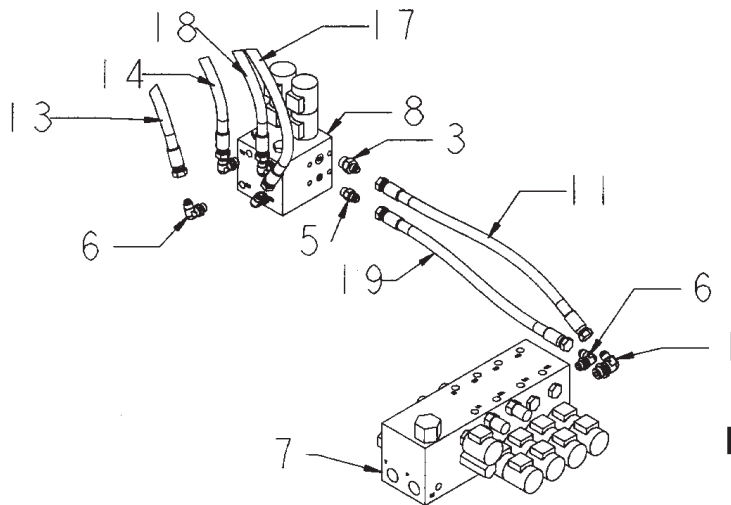
HINGED TUB COVER ASSEMBLY

ITEM	PART	QTY.	PART DESCRIPTION
1	4702635	4	ANGLE\SCRN\OBJ\THROWN
2	4702979	1	FRM\OBJ\THROWN\TOP
3	4702980	1	FRM\OBJ\THROWN\TOP
4	4702981	5	FLAT\CLMP\SCRN\FRM\OBJ\THROWN
5	4702982	5	FLAT\CLMP\SCRN\FRM\OBJ\THROWN
6	4702987	2	SCRN\WIRE\FRM\OBJ\THROWN
7	4702988	2	SCRN\WIRE\FRM\OBJ\THROWN
8	4703031	4	FLAT\CLMP\SCRN\TC

TUB COVER HYDRAULICS



HYDRAULIC CYLINDERS



HYDRAULIC VALVES

TUB COVER HYDRAULICS

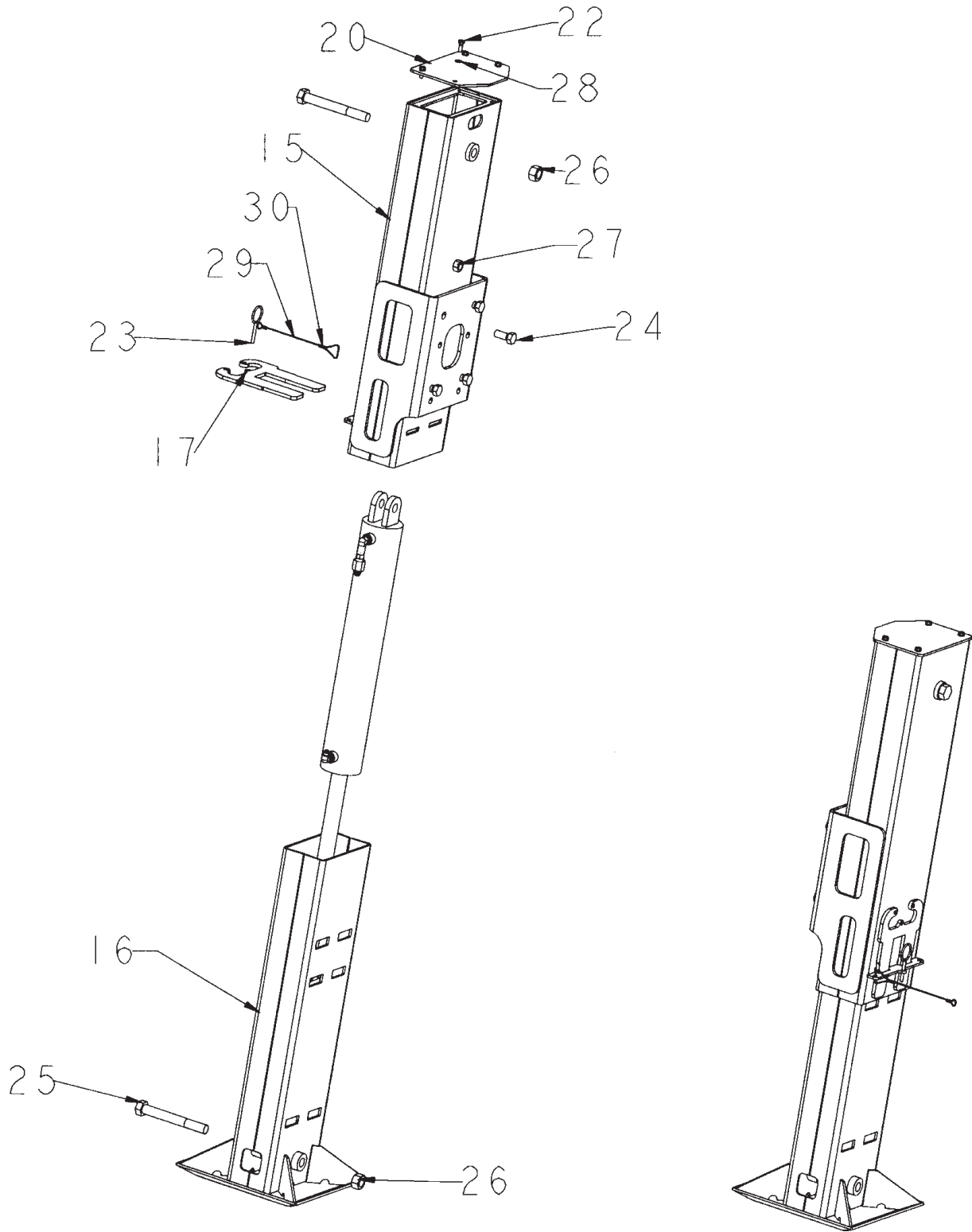
ITEM	PART	QTY.	PART DESCRIPTION
1	3800453	5	FTG\3/4MORX9/16MJIC\90
2	3800483	2	FTG\3/4MORX3/4MJICX3/4MJIC\RUN;TEE
3	3800530	1	FTG\3/4MORX9/16MJIC\ST
4	3800588	2	FTG\3/4MJICX3/4MJICX3/4MOR\TEE
5	3800631	1	FTG\9/16MORX9/16MJIC\ST
6	3800757	5	FTG\9/16MORX9/16MJIC\90
7	4000210	1	VLV\HYD\AUX\BLK\MFLD
8	4000211	1	VLV\HYD\AUX\BLK\MFLD\TOC
9	4100185	4	CYL\HYD\3-1/2X8\TIE
9A	4100251		CYL\HYD\SEAL;KIT\3X1-3/8, seal kit for 4100185
10	HOSE1_3010_TC	1	ROD END TO ROD END, TOP CYLINDERS
11	HOSE10_3010_TC	1	VALVE TO VALVE, PORT P
12	HOSE2_3010_TC	1	BUTT END TO BUTT END, TOP CYLINDERS
13	HOSE3_3010_TC	1	BUTT END FRONT TOP CYL TO VALVE
14	HOSE4_3010_TC	1	ROD END FRONT TOP CYL TO VALVE
15	HOSE5_3010_TC	1	ROD END TO ROD END, BOTTOM CYLINDERS
16	HOSE6_3010_TC	1	BUTT END TO BUTT END, BOTTOM CYLINDERS
17	HOSE7_3010_TC	1	ROD END FRONT BTTM CYL TO VALVE
18	HOSE8_3010_TC	1	BUTT END FRONT BTTM CYL TO VALVE
19	HOSE9_3010_TC	1	VALVE TO VALVE, PORT T

Not Shown

3800759 OPT FTG\9/16FJICSX9/16MJICX9/16MJIC\RUN;TEE

Used only with machines that have both Tub Cover and Hydraulic Jacks

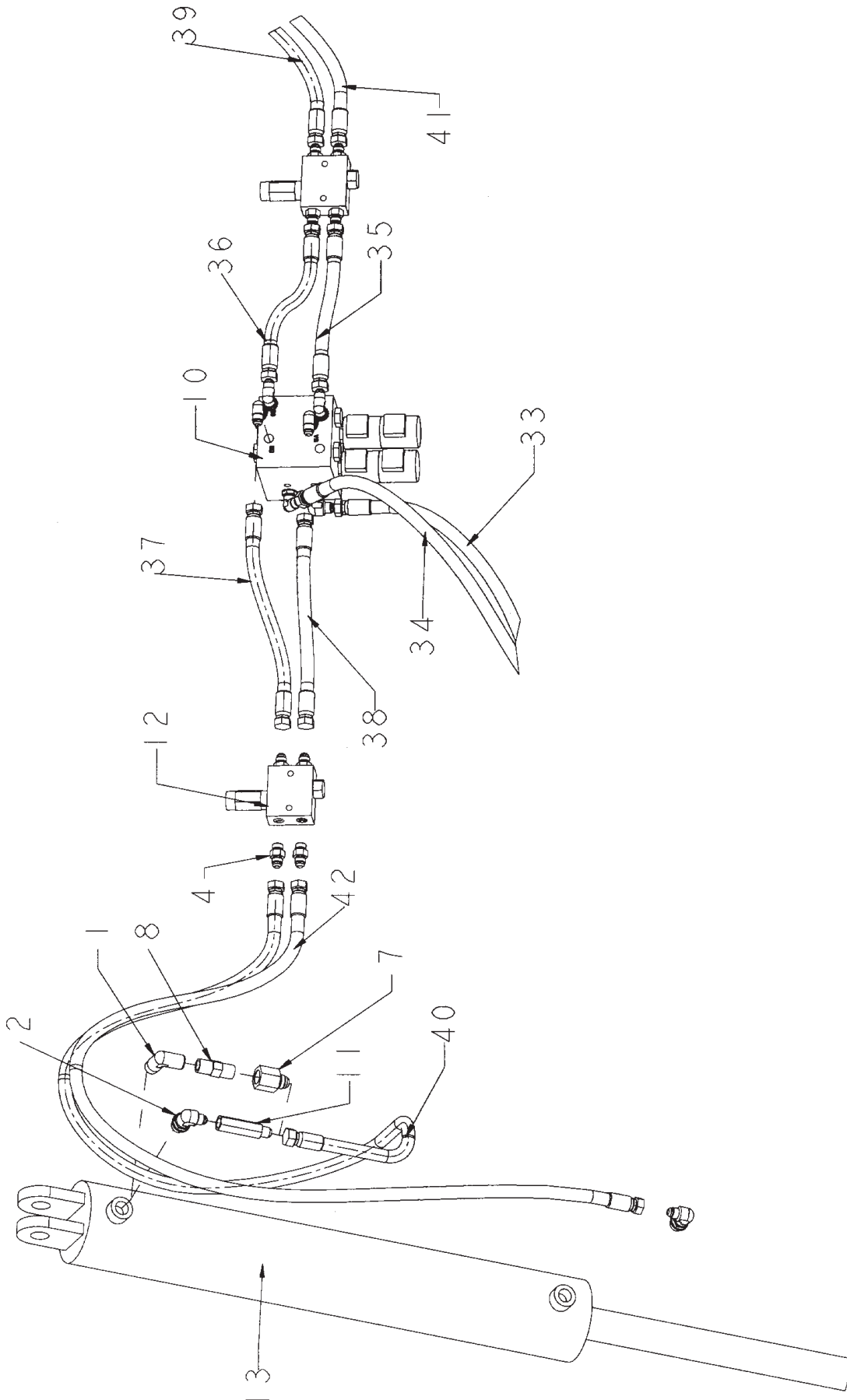
HYDRAULIC JACKS - PARTS



HYDRAULIC JACKS - PARTS

ITEM	PART	QTY.	PART DESCRIPTION
	4703950	1	JACK\HYD\KIT\3010
1	3800048	2	FTG\3\4MORX1\2FP\90\ST;EL
2	3800453	6	FTG\3\4MORX9\16MJIC\90
2A	3800796	2	FTG\9\16MORX9\16FJIC\SW
2B	3800537	2	FTG\3\4MORX3\4MJIC\90
3	3800552	4	CLAMP\HOSE\1-1\4\2HOLES
4	3800631	8	FTG\9\16MORX9\16MJIC\ST
5	3800757	6	FTG\9\16MORX9\16MJIC\90
6	3800759	OPT	FTG\9\16FJICSX9\16MJICX9\16MJIC\RUN;TEE Used only with machines that have both Tub Cover and Hydraulic Jacks
7	3800795	2	FTG\3\4MJICX1\2FP\ADPT
8	4000119	2	VALVE\CHECK\VEL\9GPM
9	4000210	1	VLV\HYD\AUX\BLK\MFLD
10	4000211	1	VLV\HYD\AUX\BLK\MFLD\TOC
11	4000244	2	VALVE\CHECK\8GPM\VELOCITY\9\16FOR-9\16MJIC (USED WITH 3800796)
12	4000245	2	VALVE\RELIEF\CROSS\SINGLE
13	4100230	2	CYL\HYD\4X24\1-3\4ROD
14	4703632	1	STND\JCK\HYD\ASSY
15	4703635	2	FRM\TUBE\UPPR\STND\JCK
16	4703636	2	FRM\TUBE\LWR\STND\JCK
17	4703637	2	BRKT\STOP\JCK\HYD
18	4703638	2	BRKT\RTNR\LCK\JCK
19	4703639	2	BRKT\MNT\CAP\JCKSTND
20	4703640	2	CAP\JCKSTND
22	4800003	8	BOLT\HEX\3\8X1
23	4800076	2	PIN\KLIK\5\16
24	4800469	8	BOLT\HEX\3\4X1-3\4
25	4800632	4	*BOLT\HEX\1X8\NC\GR5\PLT
26	4900127	4	NUT\TPLCK\1\NC
27	4900139	8	NUT\TPLCK\3\4\GR8\NC
28	5000019	8	WASH\LOCK\3\8
29	5800327	2	CABLE\3\32\COATED\FT
30	5800328	4	CLAMP\CABLE\PIN
31	3701588	1	HOSE\HYD\3\8X60\4MJCX9\16FJIC - P2-P2, TO TUBE 9
32	3701588	1	HOSE\HYD\3\8X60\4MJCX9\16FJIC - T2-T2, TO TUBE 10
33	3701589	1	HOSE\HYD\3\8X42\3\4MJCX9\16FJC - P2-P2, TO TUBE 9
34	3701589	1	HOSE\HYD\3\8X42\3\4MJCX9\16FJC - T2-T2, TO TUBE 10
35	3701364	1	HOSE\HYD\3\8X12.5\9\16FJICS - 6A-RIGHT ROD END, 6A TO PORT 2
36	3701364	1	HOSE\HYD\3\8X12.5\9\16FJICS - 6B-RIGHT CAP END, 6B TO PORT 1
37	3700937	1	HOSE\HYD\3\8X16\9\16FJICS - 5B-LEFT CAP END, 5B TO PORT 1
38	3700937	1	HOSE\HYD\3\8X16\9\16FJICS - 5A-LEFT ROD END, 5A TO PORT 2
39	3701590	1	HOSE\HYD\3\8X64\3\4FJICX9\16FJIC - 6B-RIGHT CAP END, PORT 1 TO RIGHT CAP END
40	3701590	1	HOSE\HYD\3\8X64\3\4FJICX9\16FJIC - 5B-LEFT CAP END, PORT 1 TO LEFT CAP END
41	3701229	1	HOSE\HYD\3\8X68\9\16FJICS - 6A-RIGHT ROD END, PORT 2 TO RIGHT ROD END
42	3701229	1	HOSE\HYD\3\8X68\9\16FJICS - 5A-LEFT ROD END, PORT 2 TO LEFT ROD END
43	3701591	1	TUBE\STL\1\2X.049 WALLX162 - P2-P2, HOSE 90 TO HOSE 92
44	3701591	1	TUBE\STL\1\2X.049 WALLX162 - T2-T2, HOSE 91 TO HOSE 93

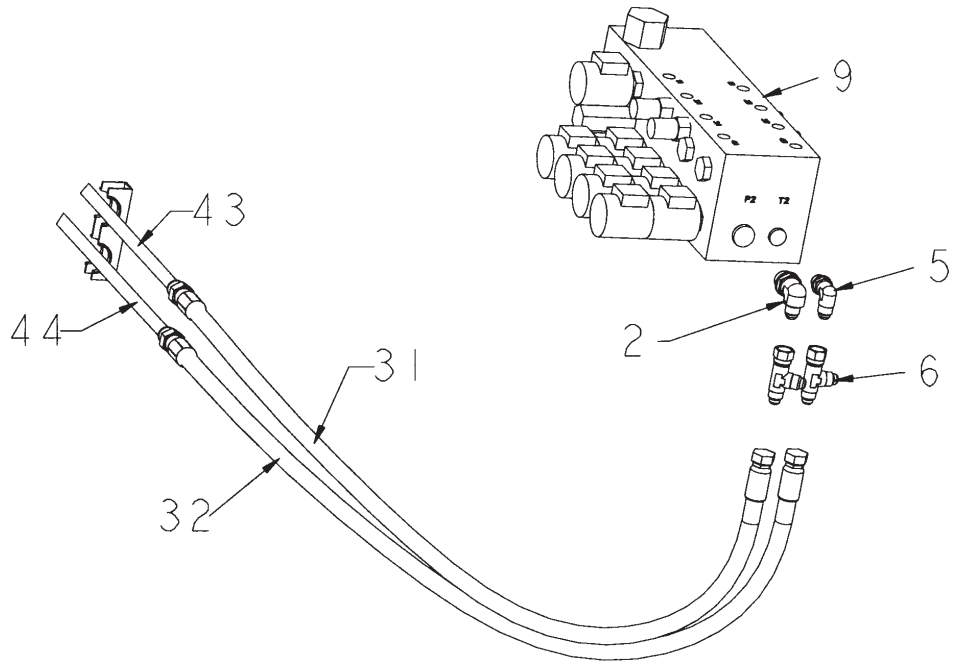
HYDRAULIC JACKS - CYLINDERS AND VALVES



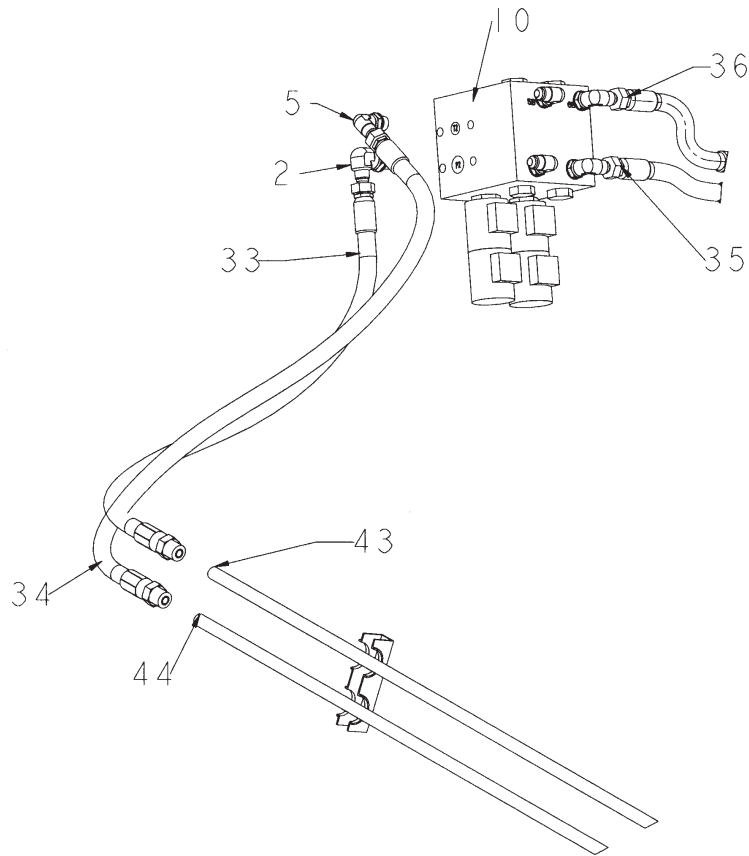
HYDRAULIC JACKS - CYLINDERS AND VALVES

ITEM	PART	QTY.	PART DESCRIPTION
	4703950	1	JACK\HYD\KIT\3010
1	3800048	2	FTG\3/4MORX1/2FP\90\ST;EL
2	3800453	6	FTG\3/4MORX9/16MJIC\90
2A	3800796	2	FTG\9/16MORX9/16FJIC\SW
2B	3800537	2	FTG\3/4MORX3/4MJIC\90
3	3800552	4	CLAMP\HOSE\1-1/4\2HOLES
4	3800631	8	FTG\9/16MORX9/16MJIC\ST
5	3800757	6	FTG\9/16MORX9/16MJIC\90
6	3800759	OPT	FTG\9/16FJICSX9/16MJICX9/16MJIC\RUN;TEE Used only with machines that have both Tub Cover and Hydraulic Jacks
7	3800795	2	FTG\3/4MJICX1/2FP\ADPT
8	4000119	2	VALVE\CHECK\VEL\9GPM
9	4000210	1	VLV\HYD\AUX\BLK\MFLD
10	4000211	1	VLV\HYD\AUX\BLK\MFLD\TOC
11	4000244	2	VALVE\CHECK\8GPM\VELOCITY\9/16FOR-9/16MJIC (USED WITH 3800796)
12	4000245	2	VALVE\RELIEF\CROSS\SINGLE
13	4100230	2	CYL\HYD\4X24\1-3/4ROD
14	4703632	1	STND\JCK\HYD\ASSY
15	4703635	2	FRM\TUBE\UPPR\STND\JCK
16	4703636	2	FRM\TUBE\LWR\STND\JCK
17	4703637	2	BRKT\STOP\JCK\HYD
18	4703638	2	BRKT\RTNR\LCK\JCK
19	4703639	2	BRKT\MNT\CAP\JCKSTND
20	4703640	2	CAP\JCKSTND
22	4800003	8	BOLT\HEX\3/8X1
23	4800076	2	PIN\KLIK\5/16
24	4800469	8	BOLT\HEX\3/4X1-3/4
25	4800632	4	*BOLT\HEX\1X8\NC\GR5\PLT
26	4900127	4	NUT\TPLCK\1\NC
27	4900139	8	NUT\TPLCK\3/4\GR8\NC
28	5000019	8	WASH\LOCK\3/8
29	5800327	2	CABLE\3/32\COATED\FT
30	5800328	4	CLAMP\CABLE\PIN
31	3701588	1	HOSE\HYD\3/8X60\4MJCX9/16FJIC - P2-P2, TO TUBE 9
32	3701588	1	HOSE\HYD\3/8X60\4MJCX9/16FJIC - T2-T2, TO TUBE 10
33	3701589	1	HOSE\HYD\3/8X42\3/4MJCX9/16FJIC - P2-P2, TO TUBE 9
34	3701589	1	HOSE\HYD\3/8X42\3/4MJCX9/16FJIC - T2-T2, TO TUBE 10
35	3700937	1	HOSE\HYD\3/8X16\9/16FJICS - 6A-RIGHT ROD END, 6A TO PORT 2
36	3700937	1	HOSE\HYD\3/8X16\9/16FJICS - 6B-RIGHT CAP END, 6B TO PORT 1
37	3700937	1	HOSE\HYD\3/8X16\9/16FJICS - 5B-LEFT CAP END, 5B TO PORT 1
38	3700937	1	HOSE\HYD\3/8X16\9/16FJICS - 5A-LEFT ROD END, 5A TO PORT 2
39	3701590	1	HOSE\HYD\3/8X64\3/4FJICX9/16FJIC - 6B-RIGHT CAP END, PORT 1 TO RIGHT CAP END
40	3701590	1	HOSE\HYD\3/8X64\3/4FJICX9/16FJIC - 5B-LEFT CAP END, PORT 1 TO LEFT CAP END
41	3701229	1	HOSE\HYD\3/8X68\9/16FJICS - 6A-RIGHT ROD END, PORT 2 TO RIGHT ROD END
42	3701229	1	HOSE\HYD\3/8X68\9/16FJICS - 5A-LEFT ROD END, PORT 2 TO LEFT ROD END
43	3701591	1	TUBE\STL\1/2X.049 WALLX162 - P2-P2, HOSE 90 TO HOSE 92
44	3701591	1	TUBE\STL\1/2X.049 WALLX162 - T2-T2, HOSE 91 TO HOSE 93

HYDRAULIC JACKS - AUXILLARY AND JACK VALVE SUPPLY HOSES



AUXILLARY VALVE SUPPLY HOSES

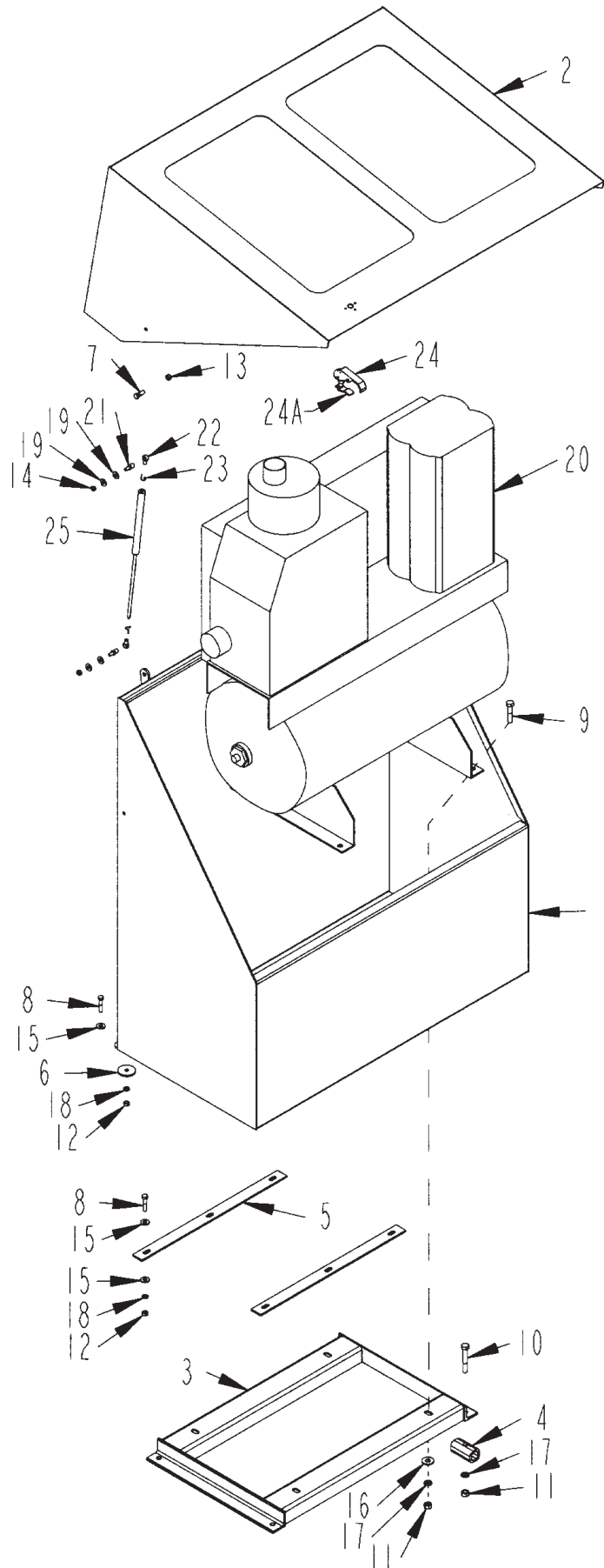


JACK VALVE SUPPLY HOSES

HYDRAULIC JACKS - AUXILLARY AND JACK VALVE SUPPLY HOSES

ITEM	PART	QTY.	PART DESCRIPTION
	4703950	1	JACK\HYD\KIT\3010
1	3800048	2	FTG\3/4\MORX1/2\FP\90\ST;EL
2	3800453	6	FTG\3/4\MORX9/16\MJIC\90
2A	3800796	2	FTG\9/16\MORX9/16\FJIC\SW
2B	3800537	2	FTG\3/4\MORX3/4\MJIC\90
3	3800552	4	CLAMP\HOSE\1-1/4\2HOLES
4	3800631	8	FTG\9/16\MORX9/16\MJIC\ST
5	3800757	6	FTG\9/16\MORX9/16\MJIC\90
6	3800759	OPT	FTG\9/16\FJIC\X9/16\MJIC\X9/16\MJIC\RUN;TEE Used only with machines that have both Tub Cover and Hydraulic Jacks
7	3800795	2	FTG\3/4\MJIC\X1/2\FP\ADPT
8	4000119	2	VALVE\CHECK\VEL\9GPM
9	4000210	1	VLV\HYD\AUX\BLK\MFLD
10	4000211	1	VLV\HYD\AUX\BLK\MFLD\TOC
11	4000244	2	VALVE\CHECK\8GPM\VELOCITY\9/16\FOR-9/16\MJIC (USED WITH 3800796)
12	4000245	2	VALVE\RELIEF\CROSS\SINGLE
13	4100230	2	CYL\HYD\4X24\1-3/4\ROD
14	4703632	1	STND\JCK\HYD\ASSY
15	4703635	2	FRM\TUBE\UPPR\STND\JCK
16	4703636	2	FRM\TUBE\LWR\STND\JCK
17	4703637	2	BRKT\STOP\JCK\HYD
18	4703638	2	BRKT\RTNR\LCK\JCK
19	4703639	2	BRKT\MNT\CAP\JCK\STND
20	4703640	2	CAP\JCK\STND
22	4800003	8	BOLT\HEX\3/8X1
23	4800076	2	PIN\KLIK\5/16
24	4800469	8	BOLT\HEX\3/4X1-3/4
25	4800632	4	*BOLT\HEX\1X8\NC\GR5\PLT
26	4900127	4	NUT\TPLCK\1\NC
27	4900139	8	NUT\TPLCK\3/4\GR8\NC
28	5000019	8	WASH\LOCK\3/8
29	5800327	2	CABLE\3/32\COATED\FT
30	5800328	4	CLAMP\CABLE\PIN
31	3701588	1	HOSE\HYD\3/8X60\4\MJIC\X9/16\FJIC - P2-P2, TO TUBE 9
32	3701588	1	HOSE\HYD\3/8X60\4\MJIC\X9/16\FJIC - T2-T2, TO TUBE 10
33	3701589	1	HOSE\HYD\3/8X42\3/4\MJIC\X9/16\FJIC - P2-P2, TO TUBE 9
34	3701589	1	HOSE\HYD\3/8X42\3/4\MJIC\X9/16\FJIC - T2-T2, TO TUBE 10
35	3701364	1	HOSE\HYD\3/8X12.5\9/16\FJICS - 6A-RIGHT ROD END, 6A TO PORT 2
36	3701364	1	HOSE\HYD\3/8X12.5\9/16\FJICS - 6B-RIGHT CAP END, 6B TO PORT 1
37	3700937	1	HOSE\HYD\3/8X16\9/16\FJICS - 5B-LEFT CAP END, 5B TO PORT 1
38	3700937	1	HOSE\HYD\3/8X16\9/16\FJICS - 5A-LEFT ROD END, 5A TO PORT 2
39	3701590	1	HOSE\HYD\3/8X64\3/4\FJIC\X9/16\FJIC - 6B-RIGHT CAP END, PORT 1 TO RIGHT CAP END
40	3701590	1	HOSE\HYD\3/8X64\3/4\FJIC\X9/16\FJIC - 5B-LEFT CAP END, PORT 1 TO LEFT CAP END
41	3701229	1	HOSE\HYD\3/8X68\9/16\FJICS - 6A-RIGHT ROD END, PORT 2 TO RIGHT ROD END
42	3701229	1	HOSE\HYD\3/8X68\9/16\FJICS - 5A-LEFT ROD END, PORT 2 TO LEFT ROD END
43	3701591	1	TUBE\STL\1/2X.049 WALL\X162 - P2-P2, HOSE 90 TO HOSE 92
44	3701591	1	TUBE\STL\1/2X.049 WALL\X162 - T2-T2, HOSE 91 TO HOSE 93

AIR COMPRESSOR ASSEMBLY



AIR COMPRESSOR ASSEMBLY

ITEM	PART	QTY.	PART DESCRIPTION
1	4702865	1	CVR\WANDLE\CMRSSR\BASE
2	4702866	1	CVR\WANDLE\CMRSSR\DOOR
3	4703469	1	MNT\COMP\AIR\3010
4	4703470	4	SPCR\BLOCK\COMP\AIR
5	4703471	2	MNT\FLAT\COVER
6	4703472	4	WASH\FLAT\3/8X2 O.D.
7	4800003	2	BOLT\HEX\3/8X1
8	4800142	10	BOLT\HEX\3/8X1-3/4
9	4800251	4	BOLT\HEX\1/2X2-1/4\NC
10	4800592	4	BOLT\HEX\1/2X3-1/4
11	4900001	8	NUT\HEX\1/2\NC
12	4900002	10	NUT\HEX\3/8\NC
13	4900023	2	NUT\TPLCK\3/8\NC
14	4900142	4	NUT\TPLCK\5/16\NC
15	5000001	16	WASH\FLAT\3/8
16	5000004	4	WASH\FLAT\1/2
17	5000006	8	WASH\LOCK\1/2
18	5000019	10	WASH\LOCK\3/8
19	5000023	8	WASH\FLAT\5/16
20	7500584	1	COMP\AIR\12HP\GAS
21	7500664	4	BALL STUD\SHOCK\FITTING
22	7500665	4	END FITTING\GAS SPRING
23	7500666	4	SAFETY CLIP
24	7500907	1	LATCH\COMP\HD
24A	7500908	1	LATCH\COMP\HD\OFFSET;CAM
25	7500934	2	SPRNG\GAS\90LB\9416K194
26	7501246	1	REEL\HOSE\AIR\HD\1/2IDX50(NOT SHOWN)

4702861

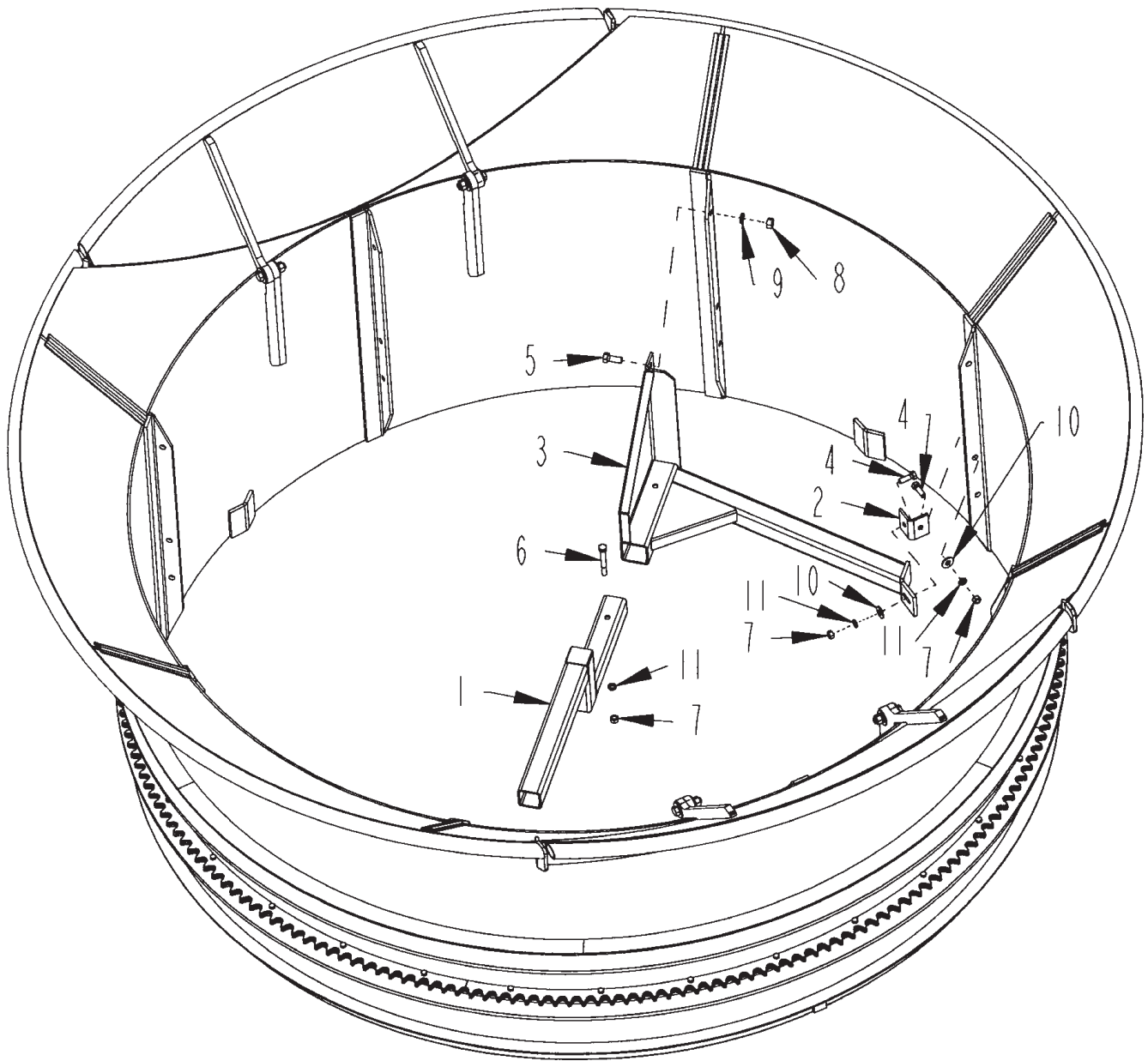
CVR\ASSY\VANDAL

Includes: 1, 2, 7, 13, 14, 19, 21, 22, 23, 24, 24A, 25

NOT SHOWN

5700206	2	TERM\RING\3/8\4GA
5700226	1	ENCL\BATT\PLSTC\GRP27
5700227	1	BATT\12VDC\GRP24
5700275	2	TERM\BATT\UNIV\MARINE\
5700353	10 FT.	CBL\BATT\RED\#4

TUB AGITATOR



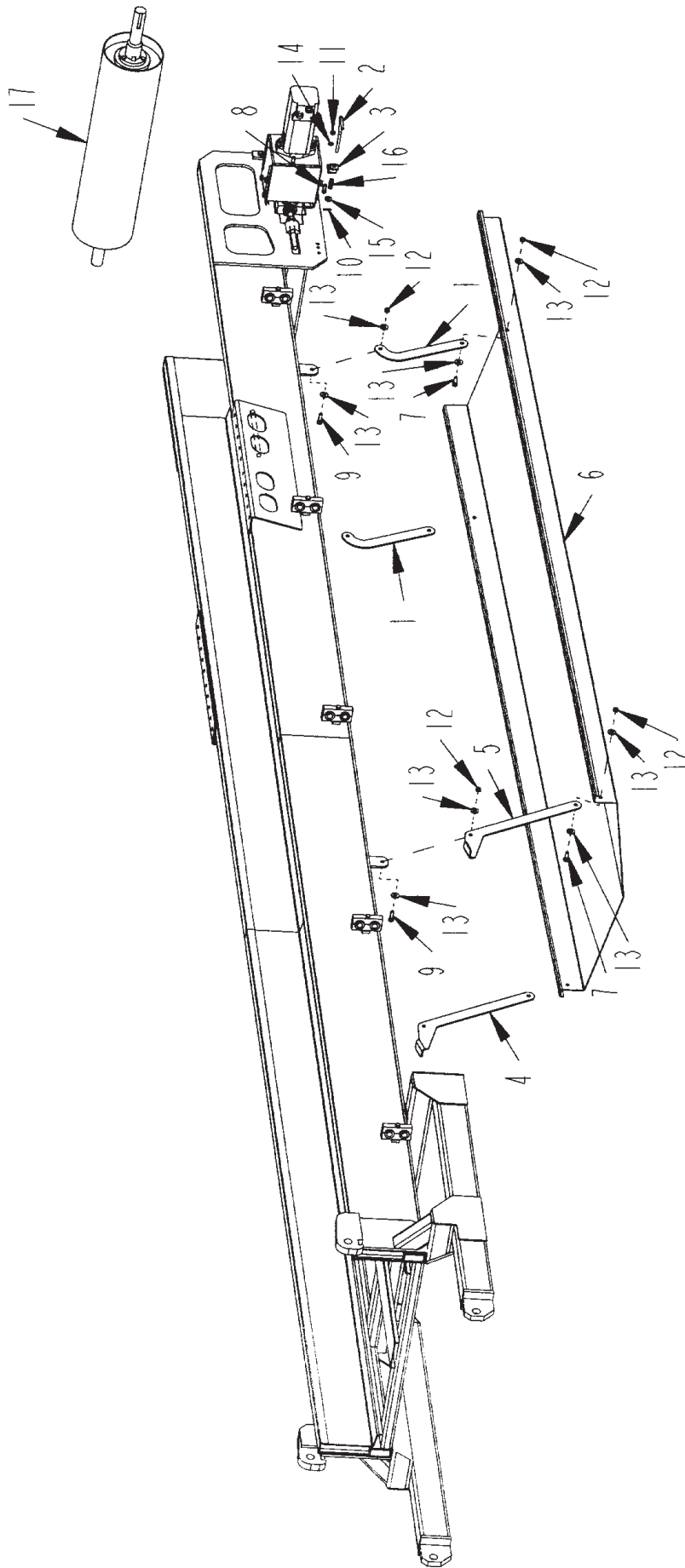
TUB AGITATOR

ITEM	PART	QTY.	PART DESCRIPTION
1	4700143	2	ARM\AGTTR\TUB
2	4700265	2	BRKT\AGTTR\TUB
3	4703960	2	BRKT\ARM\AGTTR\TUB
4	4800082	4	BOLT\HEX\1/2X1-1/2
5	4800106	6	BOLT\HEX\5/8X1-1/2
6	4800188	2	BOLT\HEX\1/2X4
7	4900001	6	NUT\HEX\1/2\NC
8	4900005	6	NUT\HEX\5/8\NC
9	5000003	6	WASH\LOCK\5/8
10	5000004	4	WASH\FLAT\1/2
11	5000006	6	WASH\LOCK\1/2

MAGNETIC ROLLER ASSEMBLY (S.N. UP TO 3029)

ITEM	PART	QTY.	PART DESCRIPTION
1	4702852	2	BRKT\MTG\FR\CHUTE\RLLR\MAGNETIC
2	4702871	2	PIN\HANDLE\MAG\CHUTE\HD-10
3	4702876	2	BRKT\PIN\CHUTE\MAG\HD10
4	4703475	1	BRKT\MNT\FR\CHUTE\RLLR\MAG
5	4703476	1	BRKT\MNT\FR\CHUTE\RLLR\MAG
6	4703737	1	CHUTE\DISCH\72"\RLLR\MAGNETIC
7	4800003	4	BOLT\HEX\3/8X1
8	4800013	4	BOLT\HEX\5/16X1
9	4800098	4	BOLT\HEX\3/8X1-1/4\NC
10	4800110	2	PIN\COT\1/8X3/4
11	4900003	4	NUT\HEX\5/16\NC
12	4900023	8	NUT\TPLCK\3/8\NC
13	5000001	16	WASH\FLAT\3/8
14	5000022	4	WASH\LOCK\5/16
15	5000023	2	WASH\FLAT\5/16
16	6100064	2	SCRAPERSPRING
17	7501086	1	RLLR\MAG\8X30
17A	7501304		BUSH\QDSK\MAGRLLR (BUSHING ONLY)
17B	7501305		SHFT\MAGRLLR\3X30 (SHAFT ONLY)
17C	4705256		SHFT\RLLR\MAG\30 (SHAFT ONLY)
	4703736		RLLR\MAG\ASSY\8X30\3010

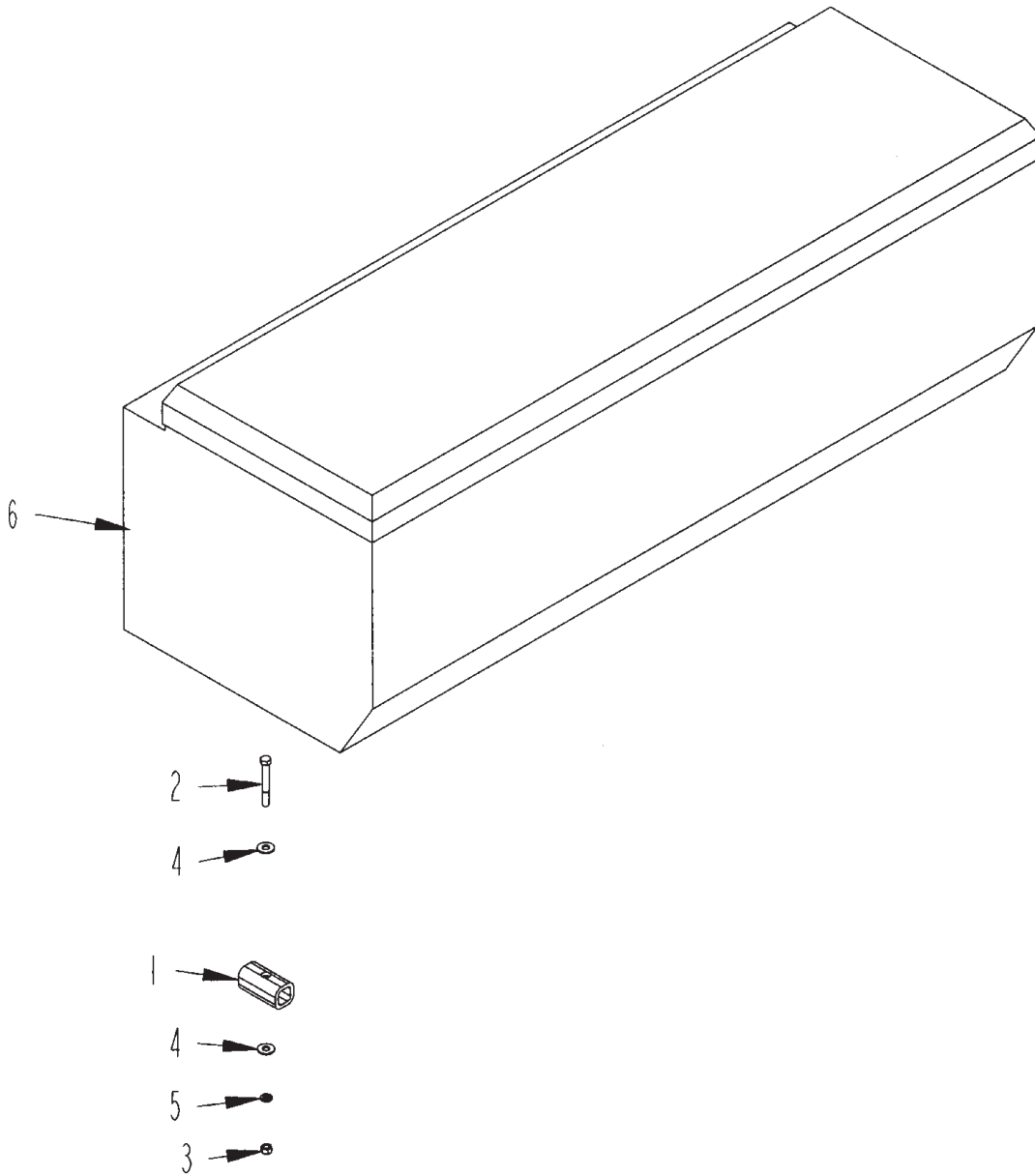
MAGNETIC ROLLER ASSEMBLY (S.N. 3030 AND UP)



MAGNETIC ROLLER ASSEMBLY (S.N. 3030 AND UP)

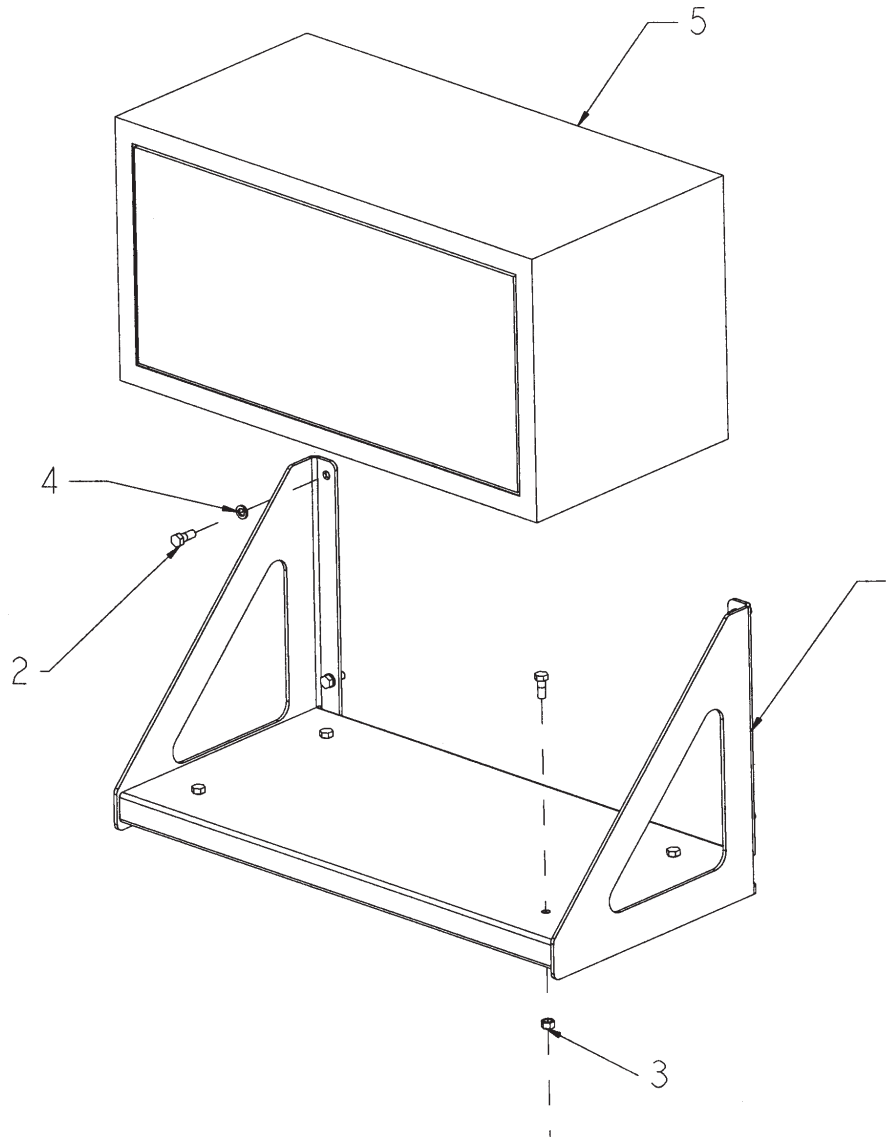
ITEM	PART	QTY.	PART DESCRIPTION
1	4702852	2	BRKT\MTG\FR\CHUTE\RLLR\MAGNETIC
2	4702871	2	PIN\HANDLE\MAG\CHUTE
3	4702876	2	BRKT\PIN\CHUTE\MAG
4	4703475	1	BRKT\MNT\FR\CHUTE\RLLR\MAG
5	4703476	1	BRKT\MNT\FR\CHUTE\RLLR\MAG
6	4704072	1	STD-CHUTE\DISCH\120"\RLLR\MAG\30
6	4703737	1	TRACK-CHUTE\DISCH\72"\RLLR\MAG\30
7	4800003	4	BOLT\HEX\3/8X1
8	4800013	4	BOLT\HEX\5/16X1
9	4800098	4	BOLT\HEX\3/8X1-1/4\NC
10	4800110	2	PIN\COT\1/8X3/4
11	4900003	4	NUT\HEX\5/16\NC
12	4900023	8	NUT\TPLCK\3/8\NC
13	5000001	16	WASH\FLAT\3/8
14	5000022	4	WASH\LOCK\5/16
15	5000023	2	WASH\FLAT\5/16
16	6100064	2	SCRAPERSPRING
17	7501086	1	RLLR\MAG\8X30
17A	7501304		BUSH\QDSK\MAGRLLR (BUSHING ONLY)
17B	7501305		SHFT\MAGRLLR\3X30 (SHAFT ONLY)
17C	4705256		SHFT\RLLR\MAG\30 (SHAFT ONLY)
	4704709		RLLR\MAG\KIT\8X30\10'

TOOL BOX ASSEMBLY- OBSOLETE



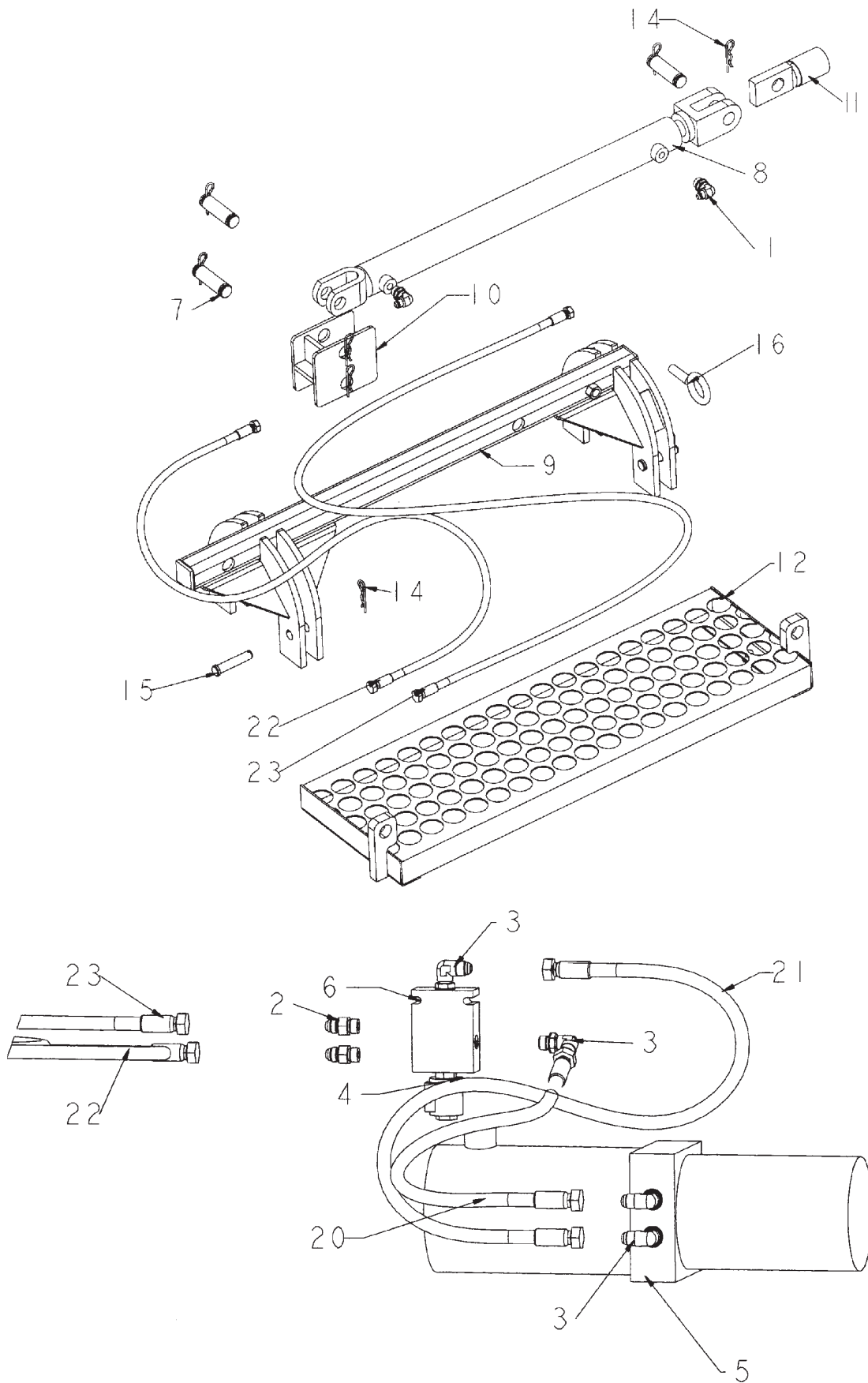
ITEM	PART	QTY.	PART DESCRIPTION
1	4703470	4	SPCR\BLOCK\COMPAIR
2	4800156	4	BOLT\HEX\3/8X3
3	4900002	4	NUT\HEX\3/8\NC
4	5000001	8	WASH\FLAT\3/8
5	5000019	4	WASH\LOCK\3/8
6	7500943	1	CHEST\TOOL\54X20X16

PACKAGE TOOL BOX ASSEMBLY (OPTION)



ITEM	PART	QTY.	PART DESCRIPTION
	4704035		BOX\TOOL\STD\3010\4012
1	4704034	1	BRKT\SPPT\BOX\TOOL
2	4800628	8	BOLT\HEX\1/2X1-1/4\GR8\NC
3	4900014	4	NUT\TPLCK\1/2\NC
4	5000006	4	WASH\LOCK\1/2
5	7500971	1	BOX\TOOL\18X18X36

3010 HAMMER ROD PULLER OPTION (S.N. UP TO 3036)



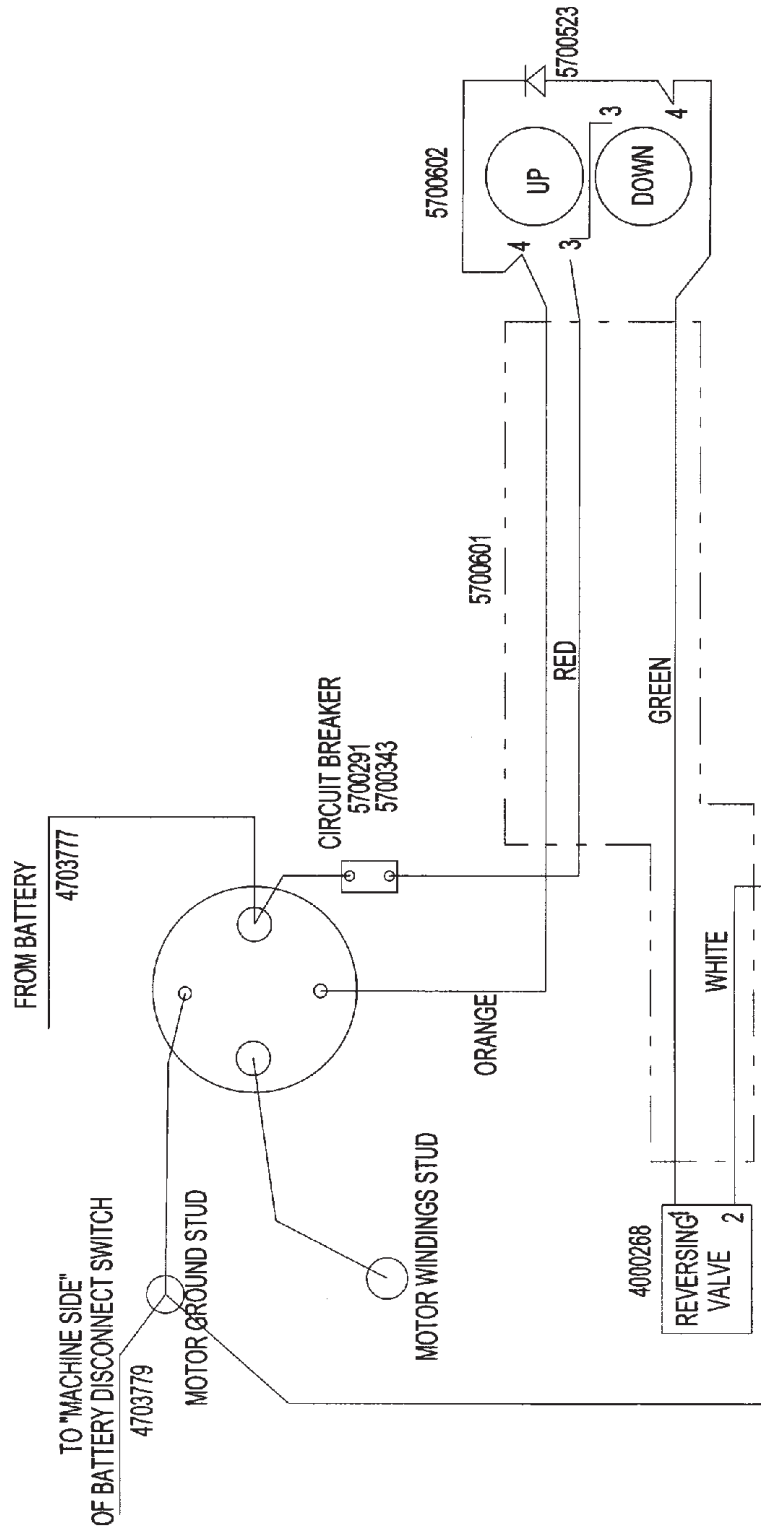
3010 HAMMER ROD PULLER OPTION (S.N. UP TO 3036)

ITEM	PART	QTY.	PART DESCRIPTION
1	3800453	2	FTG\3/4MORX9/16MJIC\90
2	3800631	2	FTG\9/16MORX9/16MJIC\ST
3	3800757	4	FTG\9/16MORX9/16MJIC\90
4	4000195	1	VALVE\HYD\SOL\24VDC\W/DIODE
5	4000267 *	1	UNIT\PWR\24V\W/2QT RSVR
6	4000268	1	VALVE\DRCTNL\2_POS\3 GPM
7	4100030	3	PIN 1" X 3-1/2" HYD. CYL.
8	4100241	1	CYL\HYD\2X24\1-1/4ROD
9	4703971	1	BRKT\PULL\ROD
10	4703972	1	SL\BRKT\PULL\ROD
11	4703973	1	CUP\PUSH\ROD
12	4703991	1	DECK\SRVC\RD_PLLR
13	4800003	2	BOLT\HEX\3/8X1
14	4800107	10	PIN\HAIR\1/8(#9)
15	4800284	4	PIN\CLEVIS\5/8X3
16	4800600	1	BOLT\EYE\5/8X1-1-3/4\NC\1-3/8EYE\FORGED
17	4900002	2	NUT\HEX\3/8\NC
18	5000001	2	WASH\FLAT\3/8
19	5000019	2	WASH\LOCK\3/8
20	HOSE_1_3010_RD_PULLER	1	
21	HOSE_2_3010_RD_PULLER	1	
22	HOSE_3_3010_RD_PULLER	1	
23	HOSE_4_3010_RD_PULLER	1	

* POWER UNIT USED FOR THIS ASSEMBLY IS NOT AVAILABLE.

ORDERING 4000267 WILL UPDATE THIS ASSEMBLY SO VALVE 4000268 AND HOSES 1 & 2 ARE NOT NEEDED

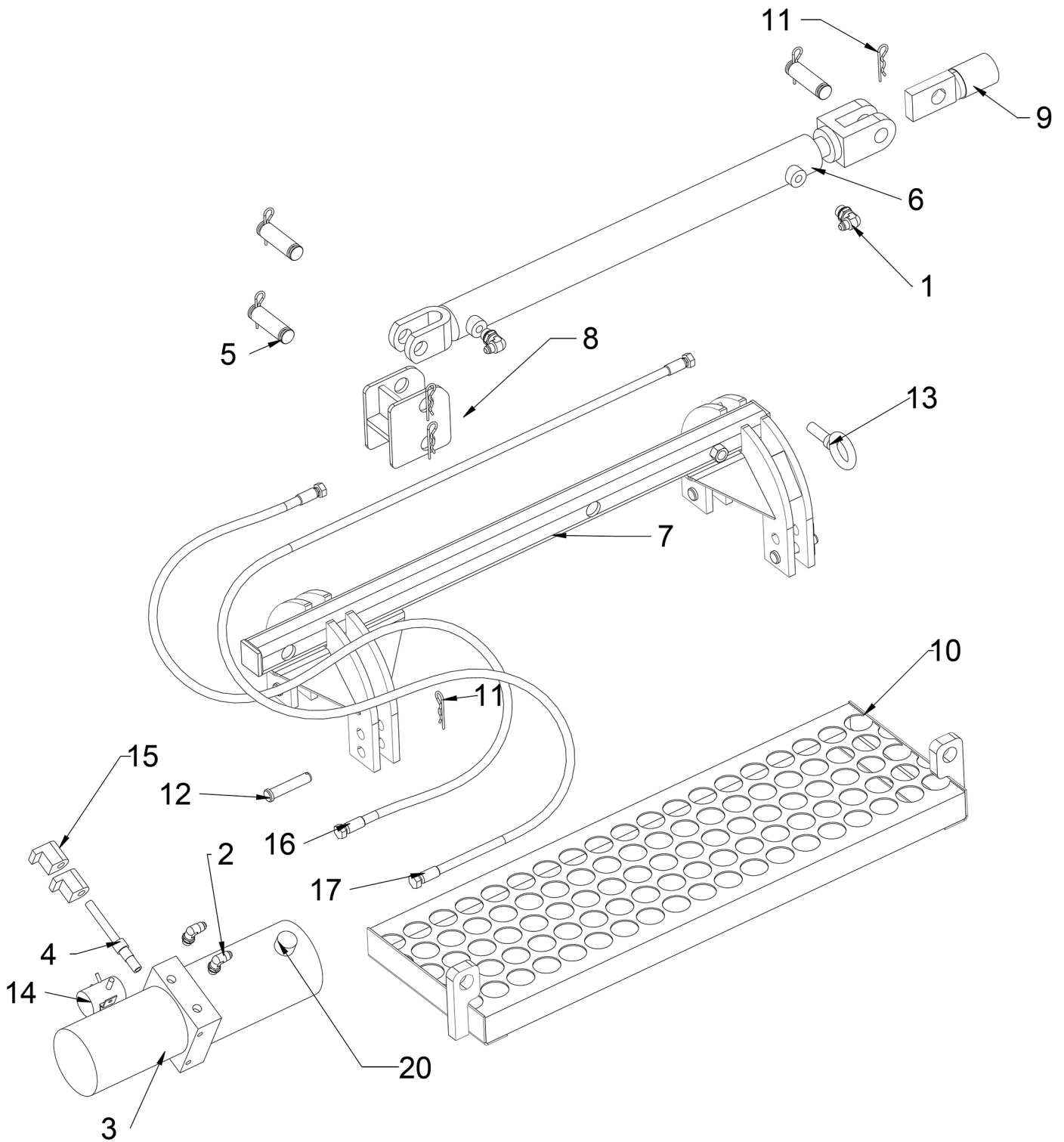
**3010 HAMMER ROD PULLER OPTION SCHEMATIC
(S.N. UP TO 3036)**



**3010 HAMMER ROD PULLER OPTION SCHEMATIC
(S.N. UP TO 3036)**

PART	QTY.	PART DESCRIPTION
4703786		HMMR\ROD\PLLR\KIT\3010
4703777	1	CBL\BATT\60\2\0\POS\1\2RING\3\8RING
4703779	1	CBL\BATT\50\2\0\NEG\1\2RING\3\8RING
5700291	1	BRKR\CRCT\10A\AUTO\TYPE1
5700343	1	ENCL\BOOT\BRKR\CRCT\RED
5700523	1	DIODE\3AMP
5700601	1	HARN\HYD;ROD;PULLER
5700602	1	STATION\PENDANT\ASSY

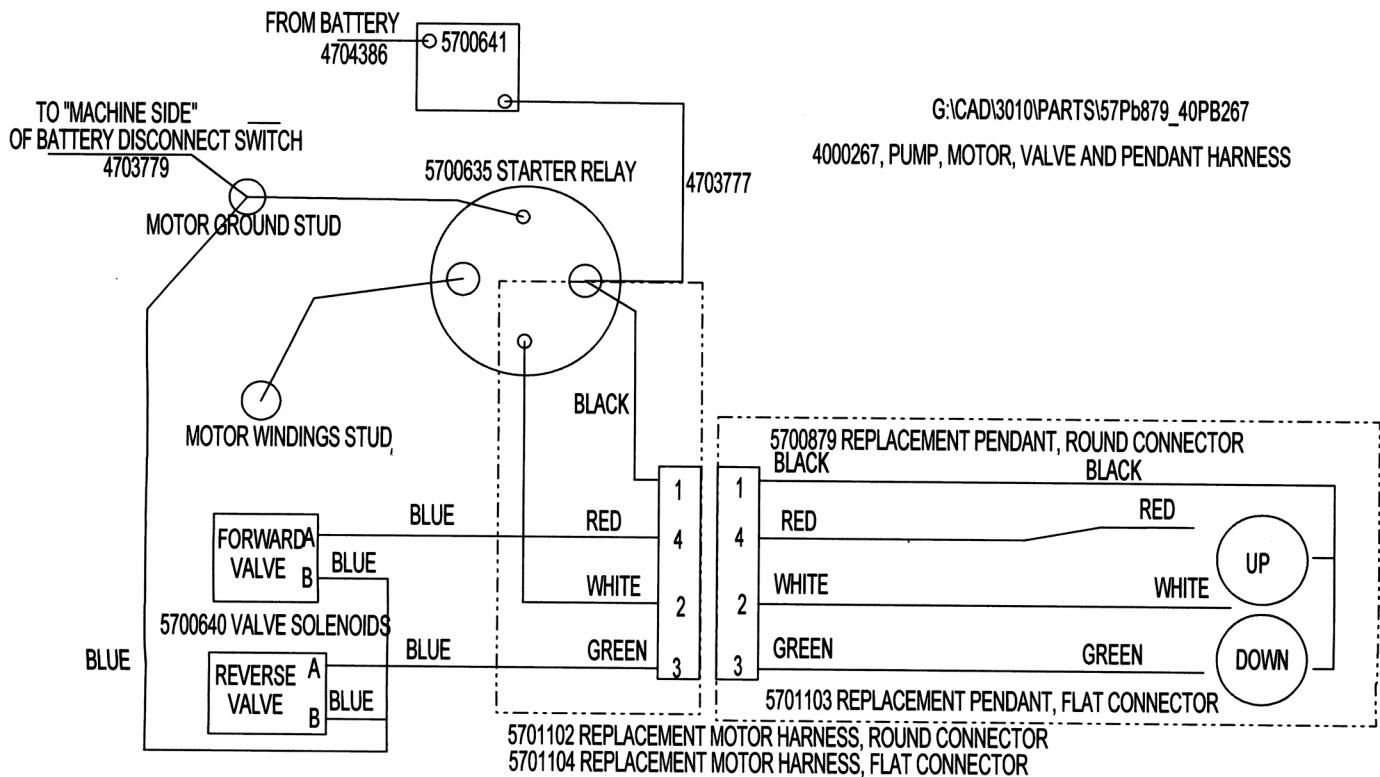
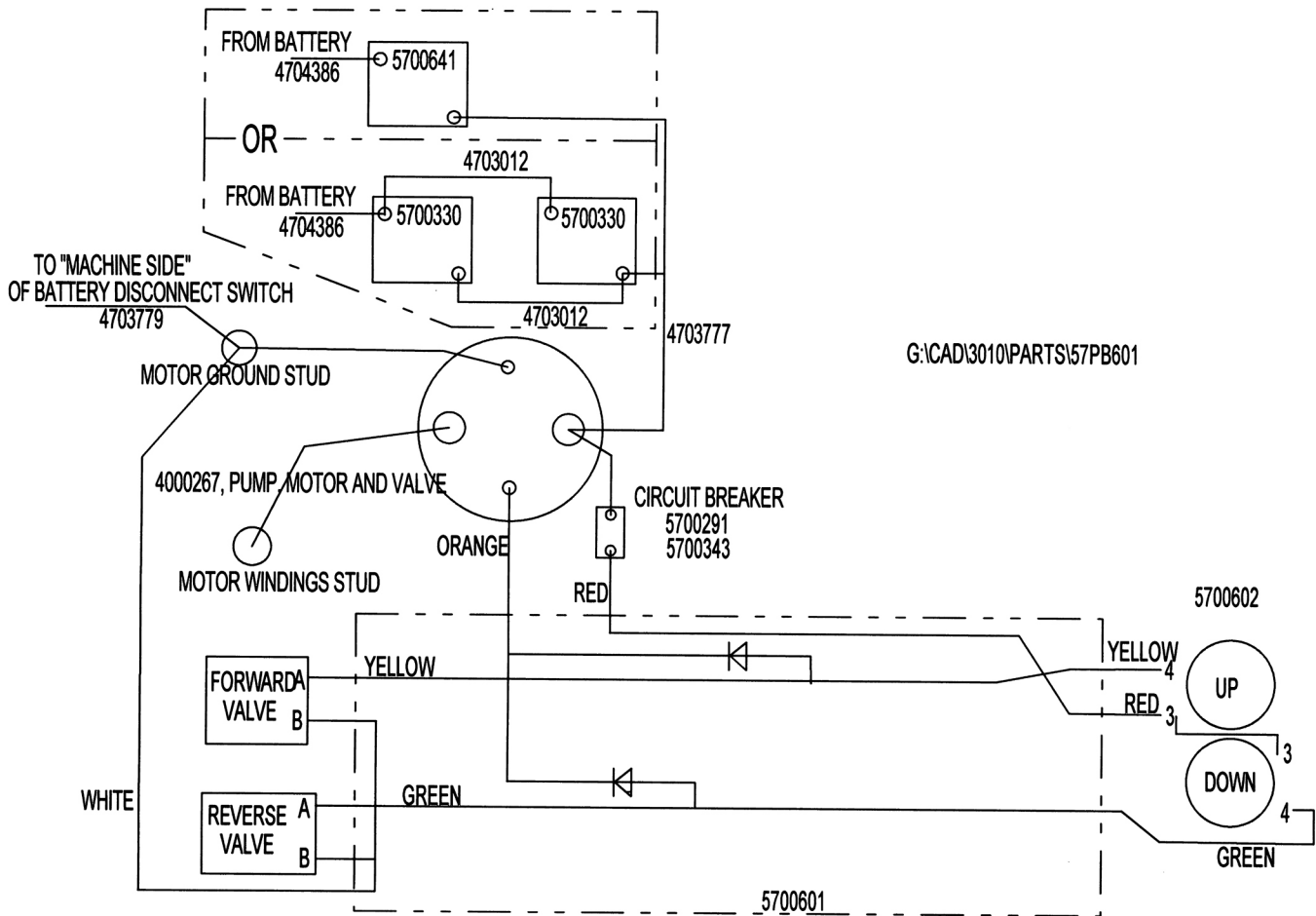
3010 HAMMER ROD PULLER OPTION (S.N. 3037 AND UP)



3010 HAMMER ROD PULLER OPTION (S.N. 3037 AND UP)

ITEM	PART	QTY.	PART DESCRIPTION
	4703786		HMMR\ROD\PLLR\KIT\3010
1	3800453	2	FTG\3/4MORX9/16MJIC\90
2	3800757	2	FTG\9/16MORX9/16MJIC\90
3	4000267	1	UNIT\PWR\24V\W/2QT RSVR
4	4000303	1	VALVE\HYD\CART\3POS,4WAY
5	4100030	3	PIN 1" X 3-1/2" HYD. CYL.
6	4100241	1	CYL\HYD\2X24\1-1/4ROD\CTD
	4100228		KIT\SEAL\CYL\HYD\2\1-1/4RD\CTD for 4100241
6A	4100334	1	CYL\HYD\2X24\1-1/4RD\RAM
	4100093		KIT\SEAL\CYL\HYD\RAM for 4100334
7	4703971	1	BRKT\PULL\ROD
8	4703972	1	SL\BRKT\PULL\ROD
9	4703973	1	CUP\PUSH\ROD
10	4703991	1	DECK\SRVC\RD_PLLR
11	4800107	10	PIN\HAIR\1/8(#9)
12	4800284	4	PIN\CLEVIS\5/8X3
13	4800600	1	BOLT\EYE\5/8X1-1-3/4\NC\1-3/8EYE\FORGED
14	5700635		RELAY\24V for 4000267
15	5700640	2	VALVE\HYD\SOL\24V\DELTROL
16	3701586	1	HOSE\HYD\1/4X60\9/16FJCX7/16FJC PORTA POWER TO ROD PULLER
17	3701587	1	HOSE\HYD\1/4X84\9/16FJCX7/16FJC PORTA POWER TO ROD PULLER
20	7501176		CAP\3/8PT\BRTHR\W/DPSTCK for 4000267

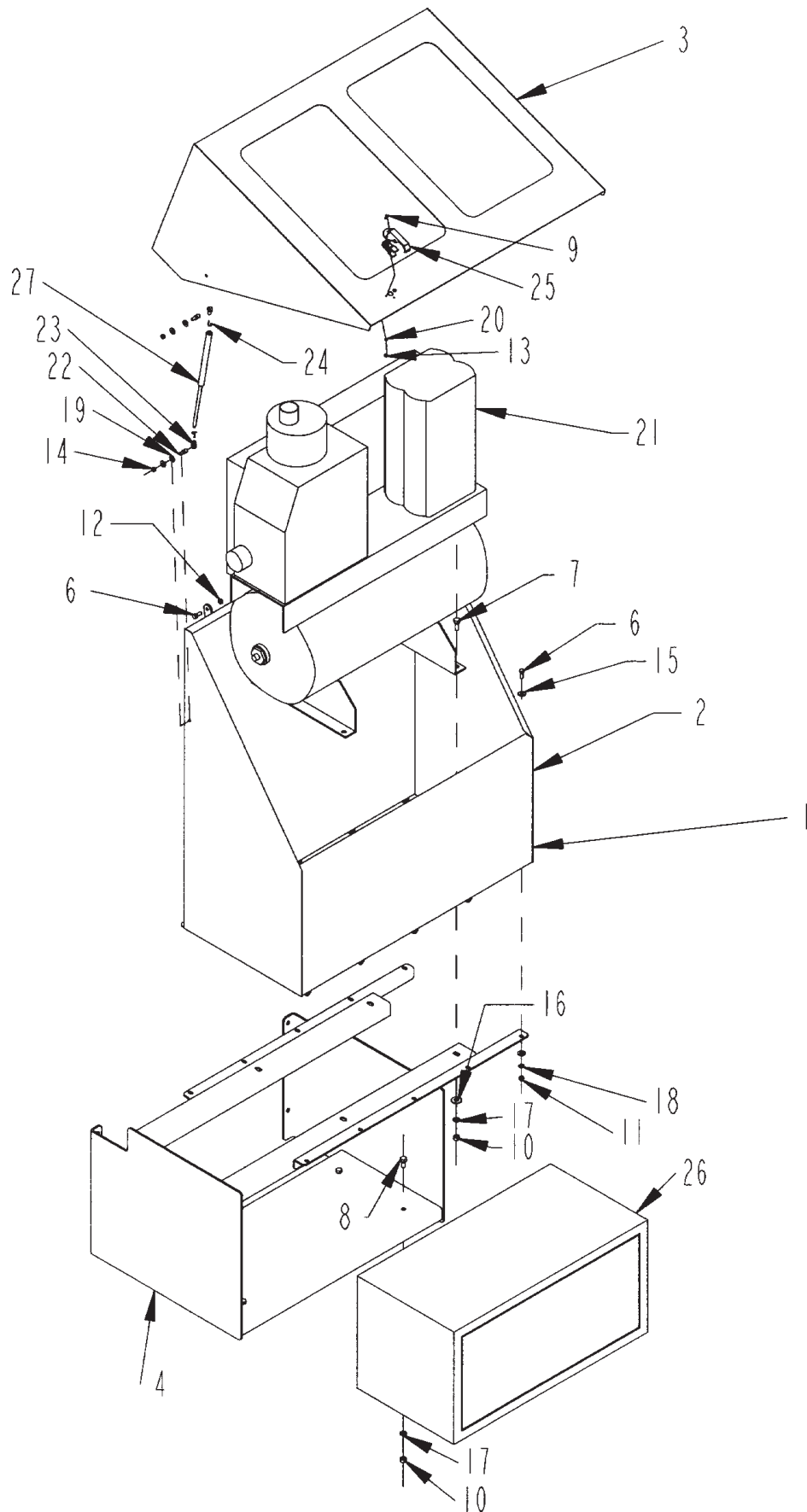
**3010 HAMMER ROD PULLER OPTION SCHEMATIC
(S.N. 3037 AND UP)**



**3010 HAMMER ROD PULLER OPTION SCHEMATIC
(S.N. 3037 AND UP)**

PART	QTY.	PART DESCRIPTION
4703786		HMMR\ROD\PLLR\KIT\3010
		2 BREAKER VERSION
4703012	2	TERM\JMPR\BENT\STRIP
4703777	1	CBL\BATT\30\#4\POS\1/4RING\3/8 RING
4703779	1	CBL\BATT\50\2\0\NEG\1/2RING\3/8 RING
4704386	1	CBL\BATT\30\#4\POS\1/2& 1/4 RING TERMS
5700291	1	BRKR\CRCT\10A\AUTO\TYPE1
5700330	2	BRKR\CRCT\100A\AUTO\SURF
5700343	1	ENCL\BOOT\BRKR\CRCT\RED
5700523	1	DIODE\3AMP
5700601	1	HARN\HYD;ROD;PULLER
5700602	1	STATION\PENDANT\ASSY
		SINGLE BREAKER VERSION
4703777	1	CBL\BATT\30\#4\POS\1/4RING\3/8 RING
4703779	1	CBL\BATT\50\2\0\NEG\1/2RING\3/8 RING
4704386	1	CBL\BATT\30\#4\POS\1/2& 1/4 RING TERMS
5700291	1	BRKR\CRCT\10A\AUTO\TYPE1
5700343	1	ENCL\BOOT\BRKR\CRCT\RED
5700523	1	DIODE\3AMP
5700601	1	HARN\HYD;ROD;PULLER
5700602	1	STATION\PENDANT\ASSY
5700641	1	BRKR\CRCT\150A\AUTO\SURF
		INSTALLED PENDANT
4703777	1	CBL\BATT\30\#4\POS\1/4RING\3/8 RING
4703779	1	CBL\BATT\50\2\0\NEG\1/2RING\3/8 RING
4704386	1	CBL\BATT\30\#4\POS\1/2& 1/4 RING TERMS
5700641	1	BRKR\CRCT\150A\AUTO\SURF
5700635	1	RELAY\24V\
5700640	2	VALVE\HYD\SOL\24V\DELTROL
5700879	1	HARN\SWITCH\POWER UNITW/ROUND PLUG
5701102	1	HARN\MOTOR\POWER UNITW/ROUND PLUG for 4000267
5701103	1	HARN\SWITCH\POWER UNITW/FLAT PLUG for 4000267
5701104	1	HARN\MOTOR\POWER UNITW/FLAT PLUG for 4000267

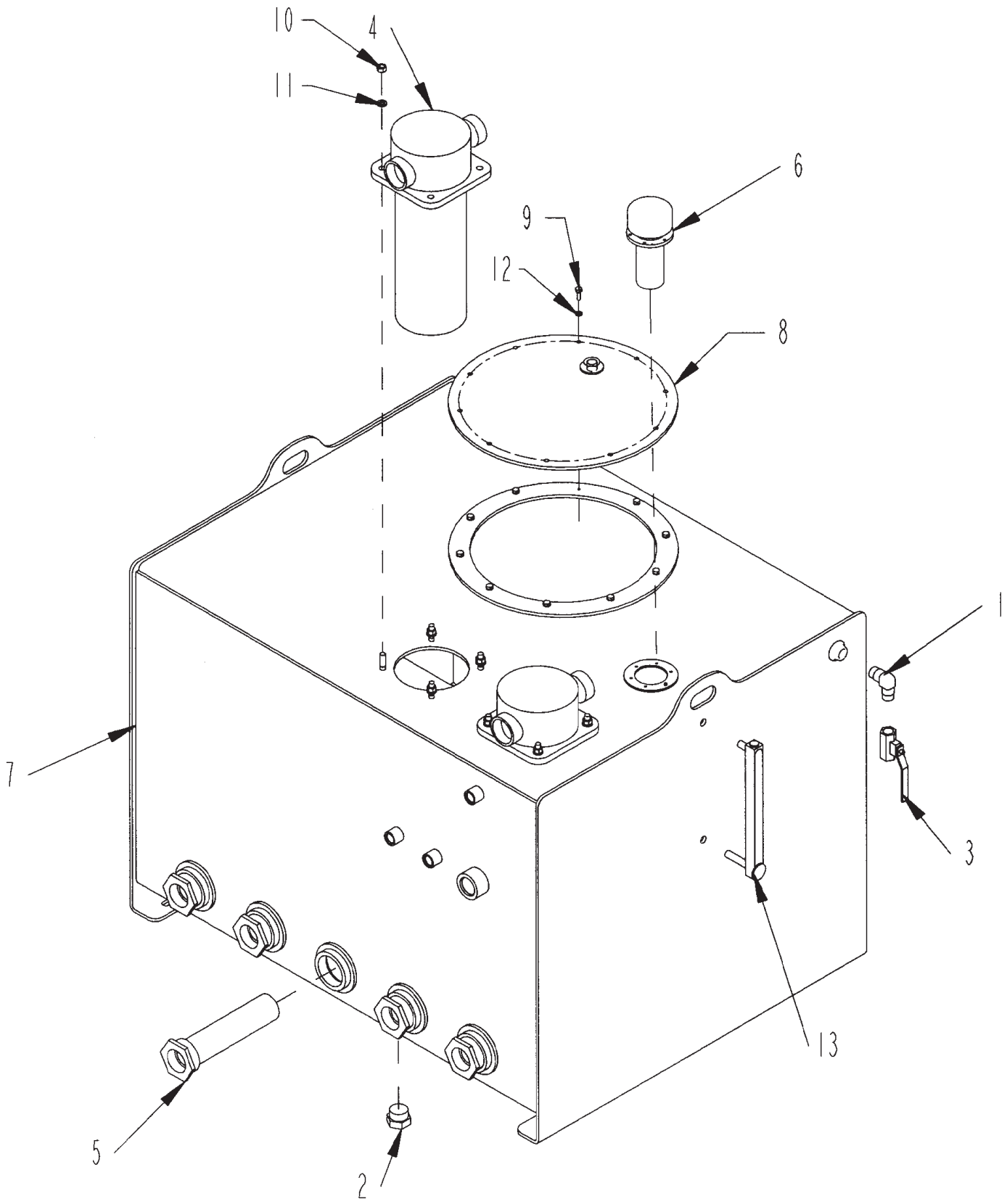
GRAPPLE LOADER OPTION AIR COMPRESSOR & TOOL BOX



GRAPPLE LOADER OPTION AIR COMPRESSOR & TOOL BOX

ITEM	PART	QTY.	PART DESCRIPTION
1	4702861	1	CVR\ASSY\WANDLE\HD-12\CMPRSSR
2	4702865	1	CVR\WANDLE\CMPRSSR\BASE
3	4702866	1	CVR\WANDLE\CMPRSSR\DOOR
4	4704630	1	BRKT\SPPT\BOX\TOOL\AIR
5	4704631	1	COMP\AIR\3010GRAPPLE\VNDL
6	4800003	12	BOLT\HEX\3/8X1
7	4800018	4	BOLT\HEX\1/2X1-1/4
8	4800085	4	BOLT\HEX\1/2X1
9	4800468	2	SCR\RD\SLOT\#10X1/2
10	4900001	8	NUT\HEX\1/2\NC
11	4900002	10	NUT\HEX\3/8\NC
12	4900023	2	NUT\TPLCK\3/8\NC
13	4900072	2	NUT\HEX\#10\NC
14	4900142	4	NUT\TPLCK\5/16\NC
15	5000001	20	WASH\FLAT\3/8
16	5000004	4	WASH\FLAT\1/2
17	5000006	8	WASH\LOCK\1/2
18	5000019	10	WASH\LOCK\3/8
19	5000023	8	WASH\FLAT\5/16
20	5000071	2	WASH\LOCK;EXT\STAR\#10
21	7500584	1	COMP\AIR\12HP\GAS
22	7500664	4	BALL STUD\SHOCK\FITTING\M6
23	7500665	4	END FITTING\GAS SPRING \m6
24	7500666	4	SAFETY CLIP
25	7500907	1	LATCH\COMP\HD
25A	7500908	1	LATCH\COMP\HD\OFFSET;CAM
26	7500971	1	BOX\TOOL\18X18X36
27	7501071	2	SPRNG\GAS\130LB\9416K358
28	7501246	1	REEL\HOSE\AIR\HD\1/2IDX50(NOT SHOWN)

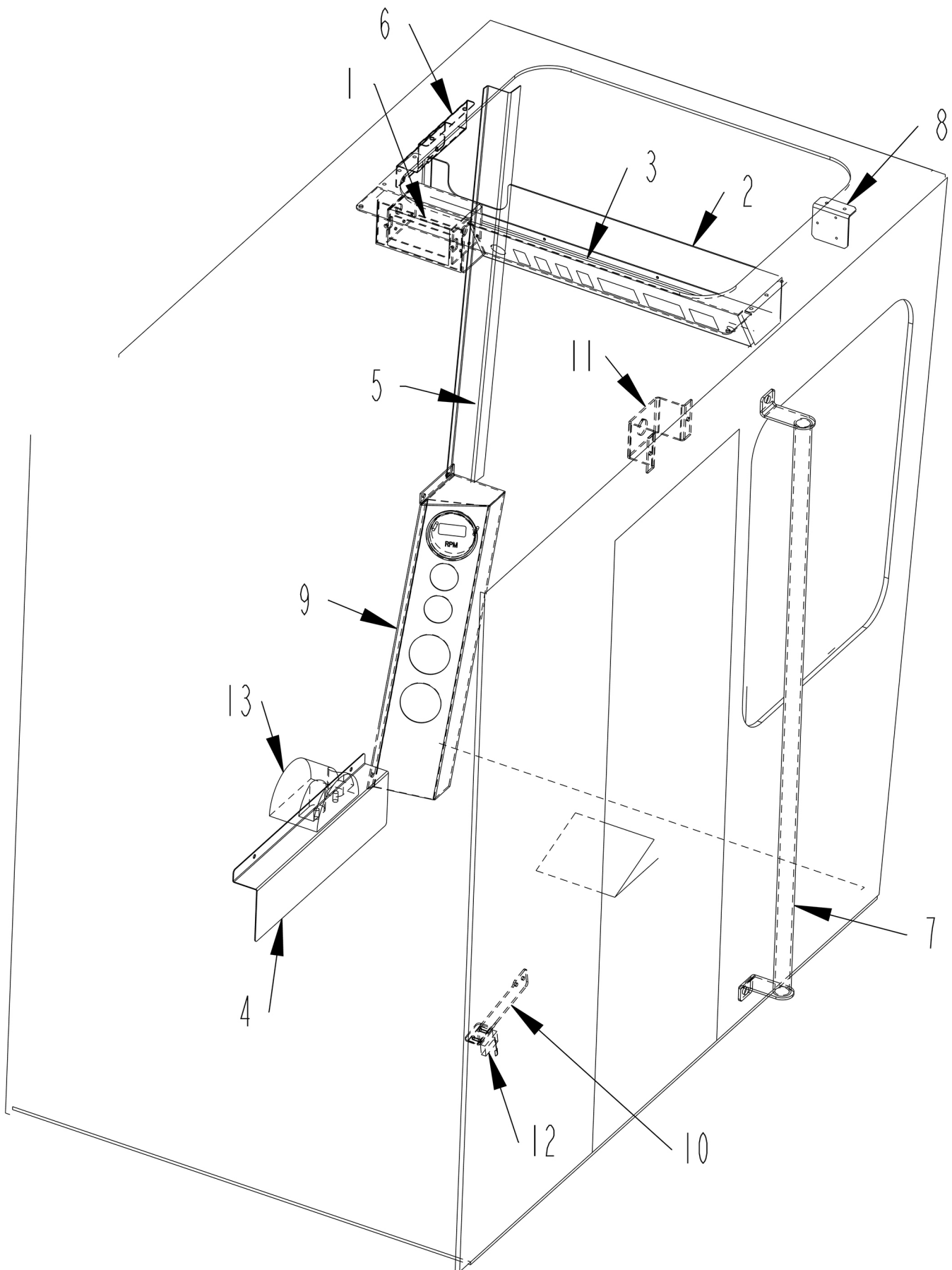
GRAPPLE LOADER OPTION HYDRAULIC OIL TANK ASSEMBLY



GRAPPLE LOADER OPTION HYDRAULIC OIL TANK ASSEMBLY

ITEM	PART	QTY.	PART DESCRIPTION
1	3800085	1	FTG\1/2MP\90D\M;ELL
2	3800301	1	FTG\1-5/16MOR\PLUG\HEX
3	4000193	1	VALVE\BALL\1/2\LW\BRS
4	4400043	2	FILTER\HYDRAULIC\RETURN\IN-TANK ELEMENT 4400074
5	4400067	5	FLTR\SCRN\2-1/2MORX1-7/8FOR\30GPM\ST30-100-RV3
6	4400071	1	VENTW\LOCK\CAP\HYD
7	4502005	1	TANK\HYD\1150
8	4703396	1	CAP\CLEAN-OUT\TANK\HYD
9	4800024	10	BOLT\HEX\1/4X3/4
10	4900002	8	NUT\HEX\3/8\NC
11	5000019	8	WASH\LOCK\3/8
12	5000024	10	WASH\LOCK\1/4
13	7500615	1	GAUGE\LEVEL\10\W/THERMOMETER

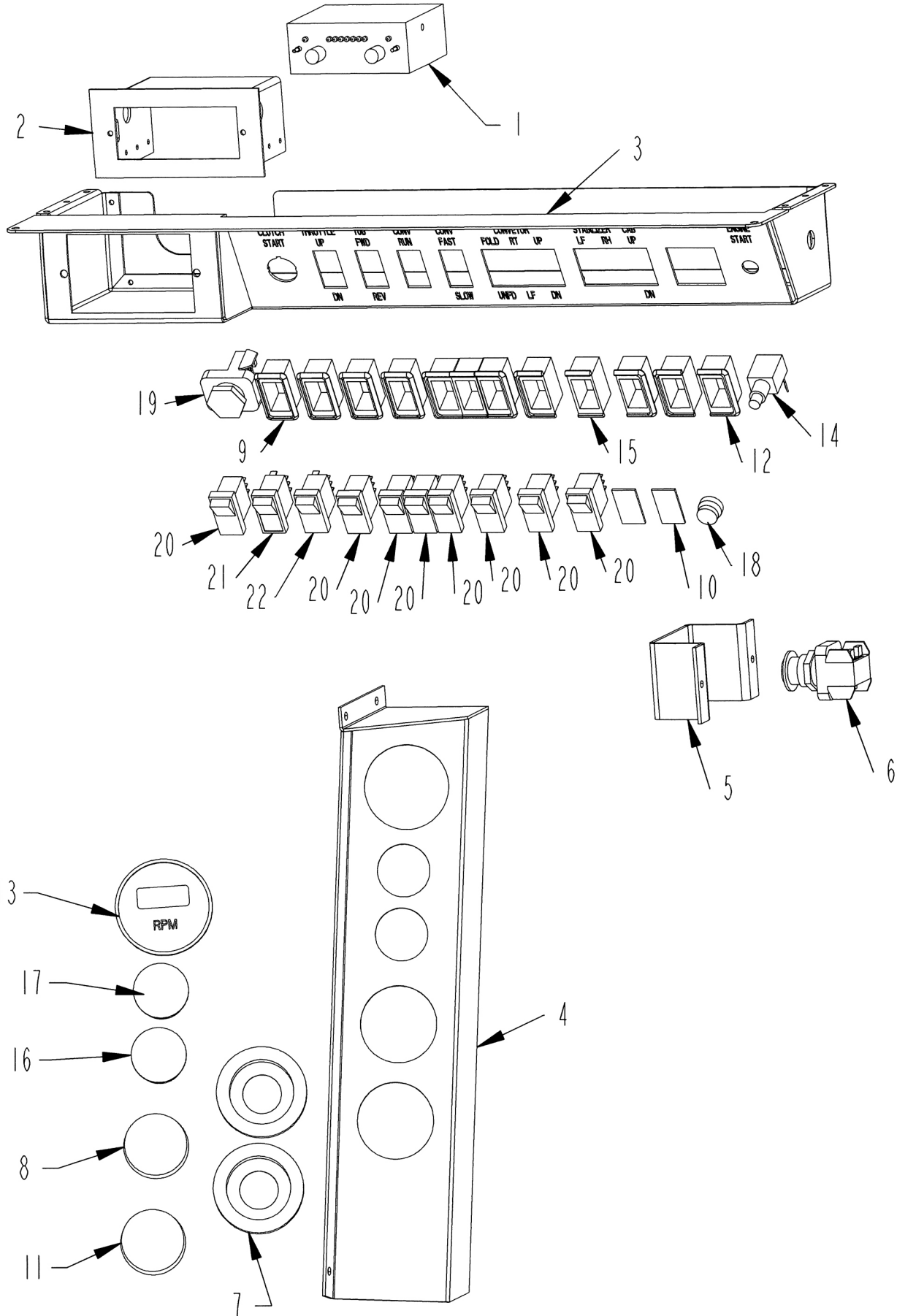
GRAPPLE LOADER OPTION CAB



GRAPPLE LOADER OPTION CAB

ITEM	PART	QTY.	PART DESCRIPTION
1	4501543	1	BRKT\GOV
2	4703346	1	PNL\BACK\CAB
3	4703347	1	PNL\CAB\LDR
4	4703348	1	SHLDWIRE\CAB
5	4703349	1	SHLDWIRE\CAB
6	4703350	1	SHLDWIRE\CAB
7	4704042	1	BRKT\RAIL\HAND\CAB
8	4704055	1	BRKT\FAN\LDR\HOOD
9	4704426	1	BRKT\GAUGE\LDR;CAB\3010
10	4704427	1	BRKT\SW\SFTY\CAB\LOADER
11	4705040	1	BRCKT/E-STOP
12	5700493	1	SWITCH\LIMIT\B9111E1092
13	7501205	1	BUMPER\DOCK\HOOD

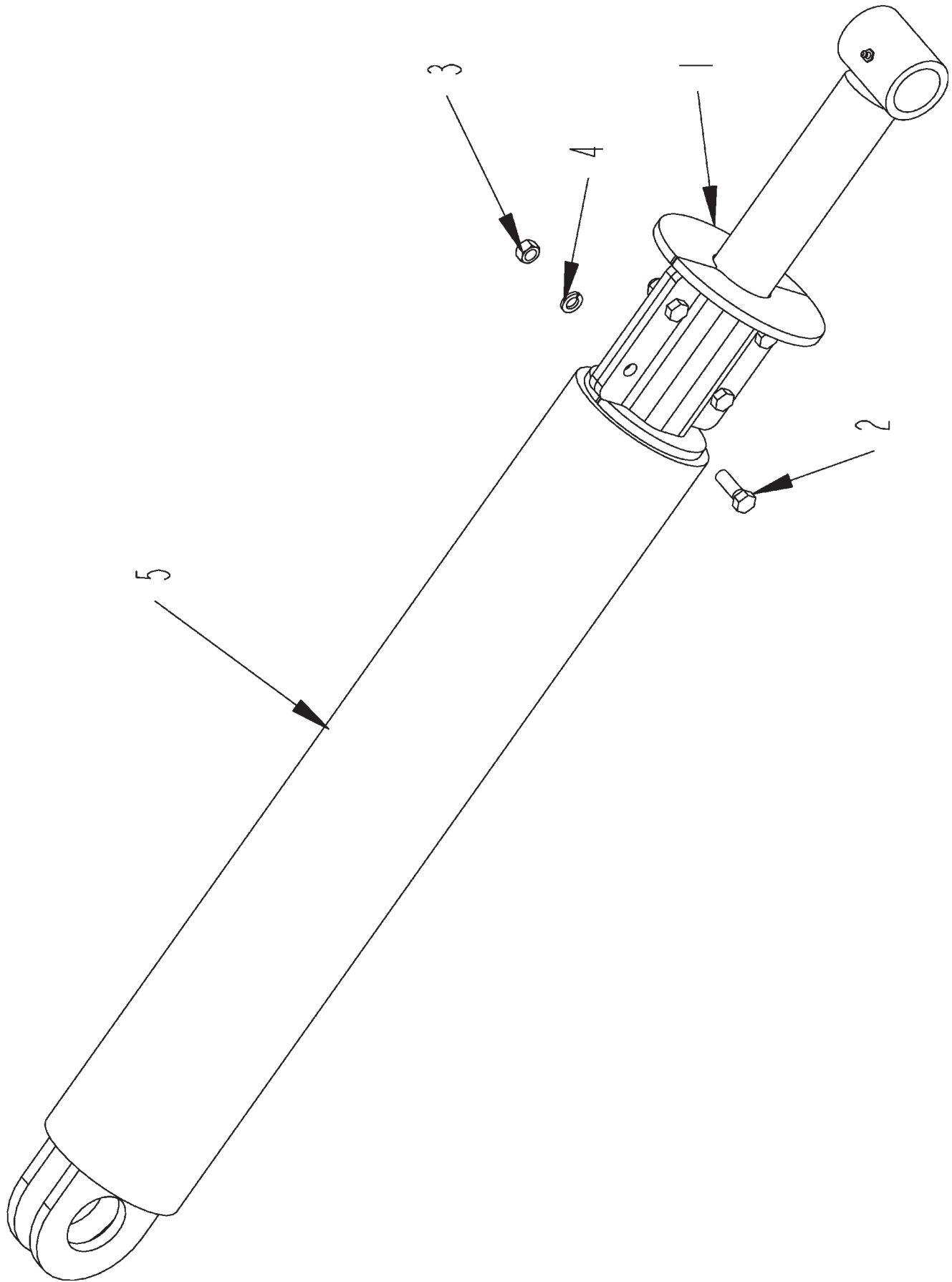
GRAPPLE LOADER OPTION CAB SWITCHES AND GAUGES



GRAPPLE LOADER OPTION CAB SWITCHES AND GAUGES

ITEM	PART	QTY.	PART DESCRIPTION
1	4300034	1	CONTROL BOX
2	4501543	1	BRKT\GOV\1150
3	4703347	1	PNL\CAB\LDR
4	4704426	1	BRKT\GAUGE\LDR;CAB\3010
5	4705040	1	BRCKT/E-STOP
6	5700028	1	SWITCH\MAINT\PB\RED\MUSH
7	5700202	2	LAMP\GRMMT\2-1/2KIT\W\PLUG
8	5700285	1	LAMP\RED\2-1/2\24V
9	5700328	4	SWITCH\RCKR\MNT\PNL\SNGL
10	5700329	2	SWITCH\RCKR\PLUG
11	5700331	1	LAMP\AMBER\2-1/2\24V
12	5700333	6	SWITCH\RCKR\MNT\PNL\MTPL
13	5700368	1	TACH\CAT
14	5700403	1	SWITCH\BUTTON\PUSH
15	5700448	2	SWITCH\RCKR\MNT\PNL\MDDL
16	5700499	1	GAUGE\PRESS\OIL\12V\550P
17	5700501	1	GAUGE\TEMP\ELEC\12V\230F
18	5700510	1	BOOT\DUST\PUSBUTTON
19	5700514	1	SWITCH\MOM\PB\GRN\1NO
20	5700542	8	SWITCH\RCKR\DPDT\24V\UNLIT\15A\MOMNTRYW/RAISED BRCKT
21	5700543	1	SWITCH\RCKR\DPDT\24V\2LIT\15A\LATCH\W/RAISED BRACKET
22	5700544	1	SWITCH\RCKR\DPDT\24V\1LIT\15A\LATCH&MOMW/RAISED BRCKT

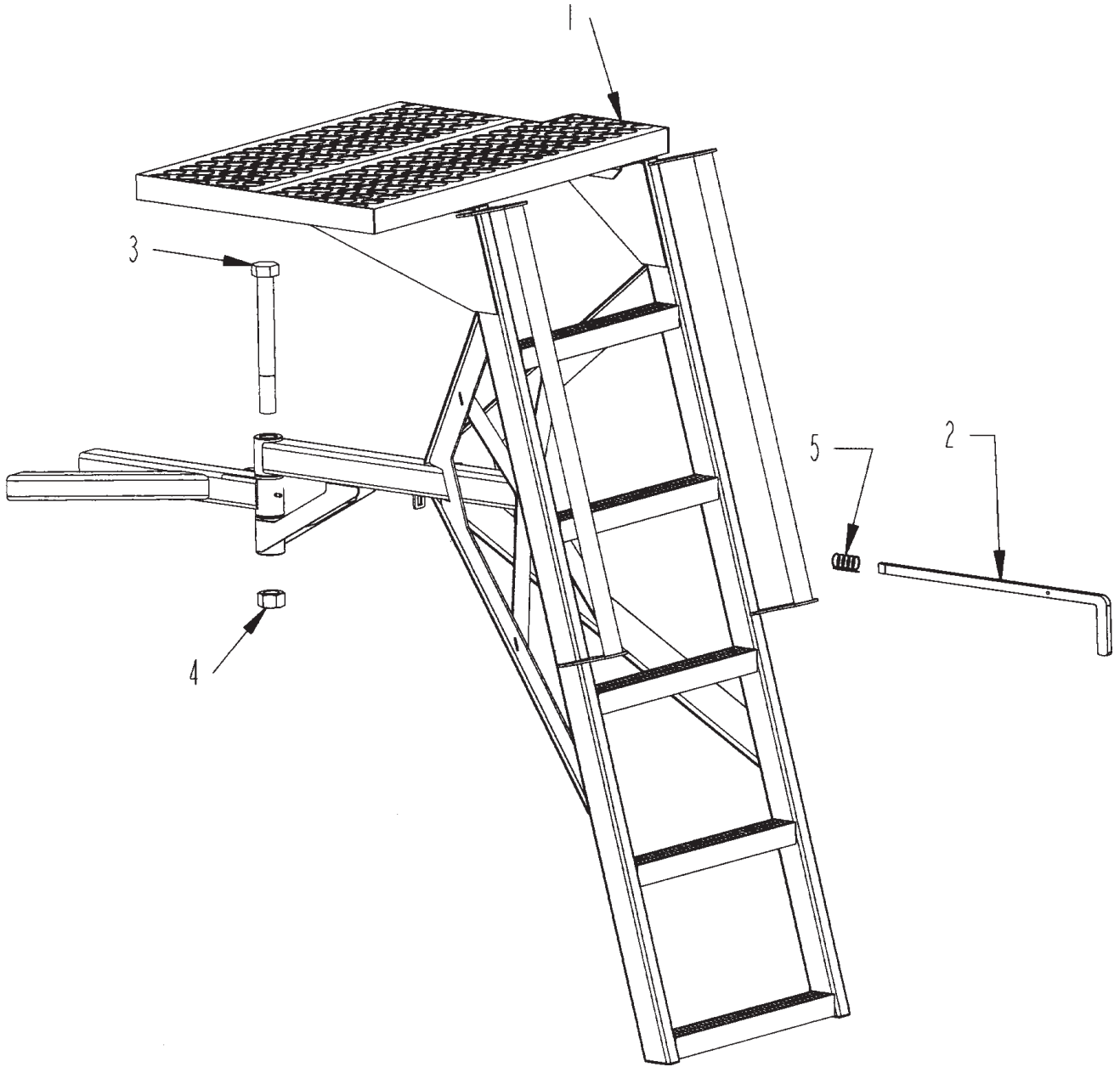
GRAPPLE LOADER OPTION - GRAPPLE STOP



GRAPPLE LOADER OPTION - GRAPPLE STOP

ITEM	PART	QTY.	PART DESCRIPTION
1	4501839	2	STOP\CYL\GRPPL\1150
2	4800082	4	BOLT\HEX\1/2X1-1/2
3	4900001	4	NUT\HEX\1/2\NC
4	5000006	4	WASH\LOCK\1/2
5		1	CYLINDERS SUPPLIED BY OTHERS

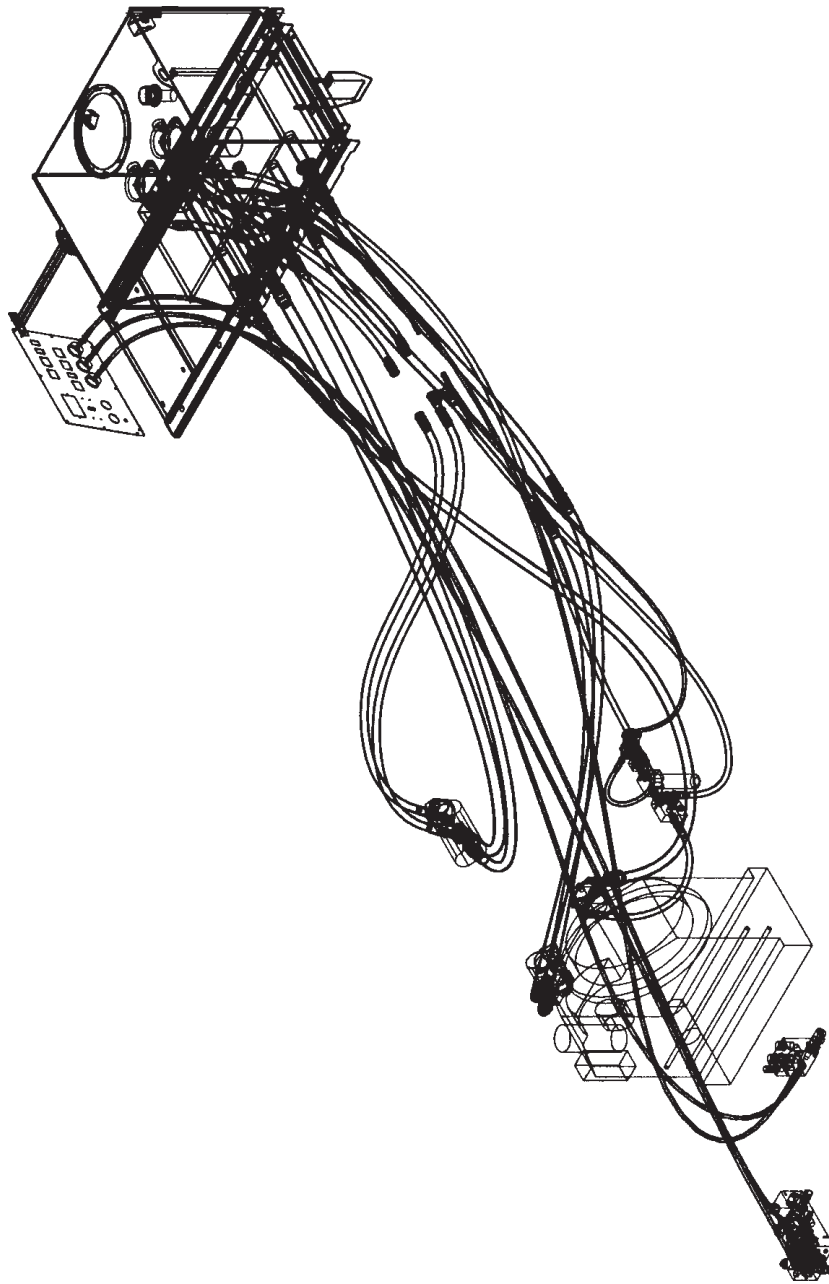
GRAPPLE LOADER OPTION CAB LADDER



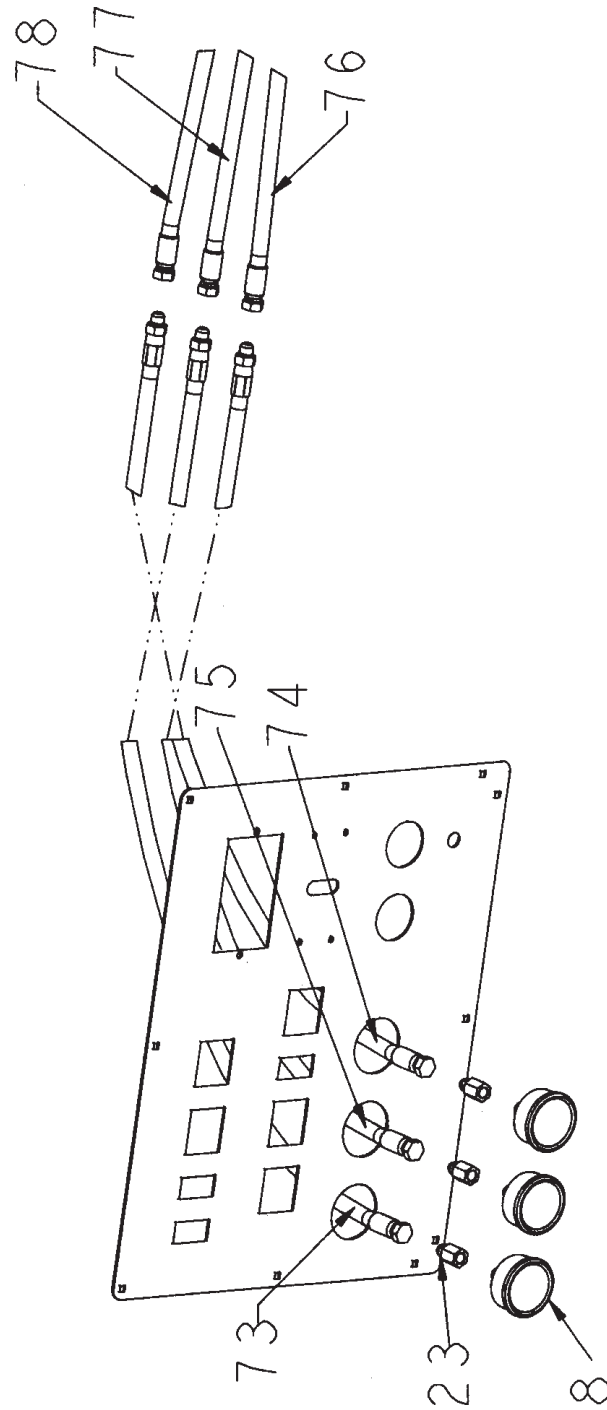
GRAPPLE LOADER OPTION CAB LADDER

ITEM	PART	QTY.	PART DESCRIPTION
1	4703494	1	LDDR\CAB\GRPPL
2	4703495	1	PL\STOP\LDDR
3	4800933	1	BOLT\HEX\1-1/4X11\GR5\NC
4	4900048	1	NUT\HEX\1-1/4\NC
5	6100048	1	SPRNG\249OT\13/16ID\1-5/16OD\2-3/8LOA

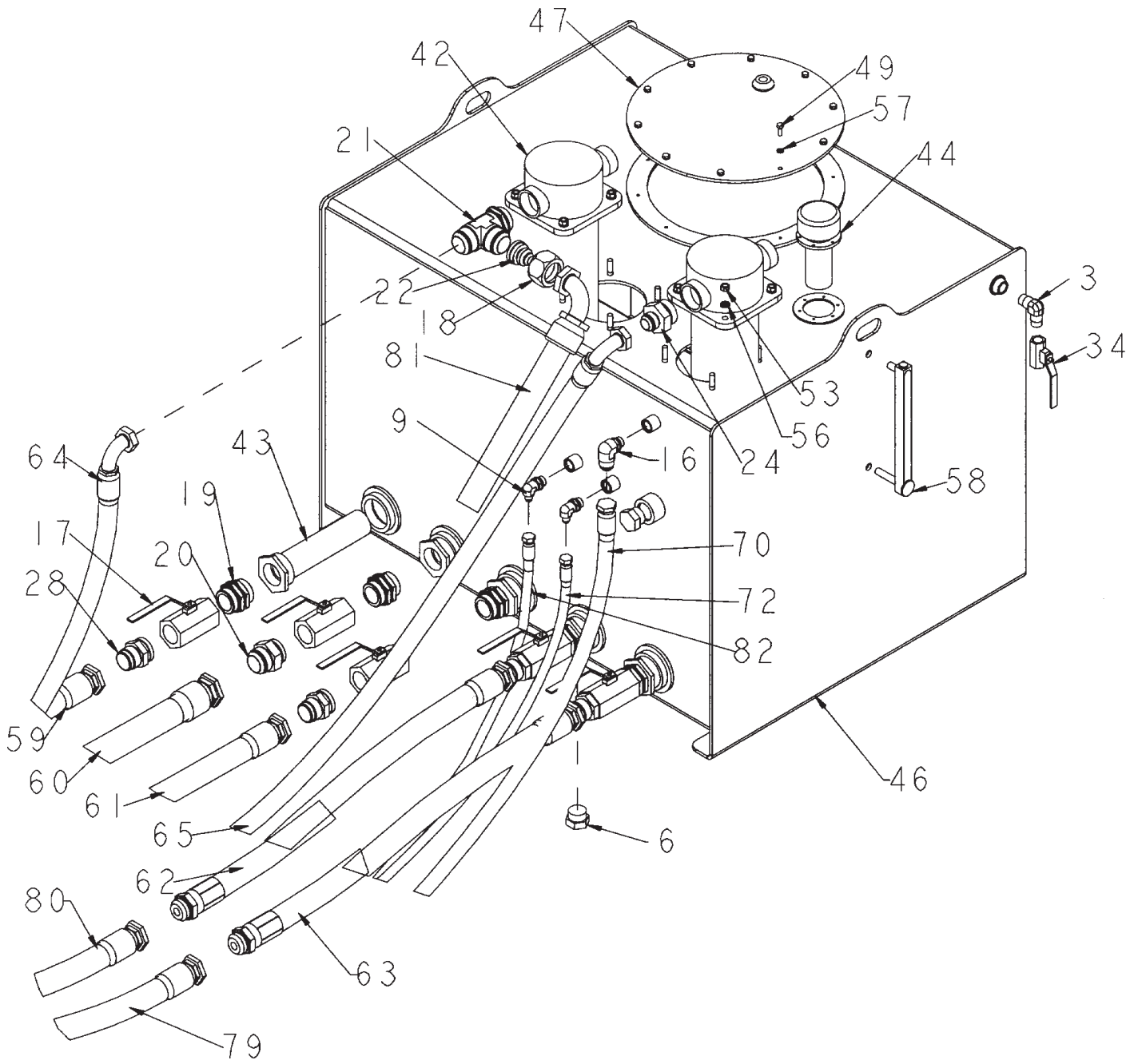
GRAPPLE LOADER OPTION HYDRAULIC SCHEMATIC



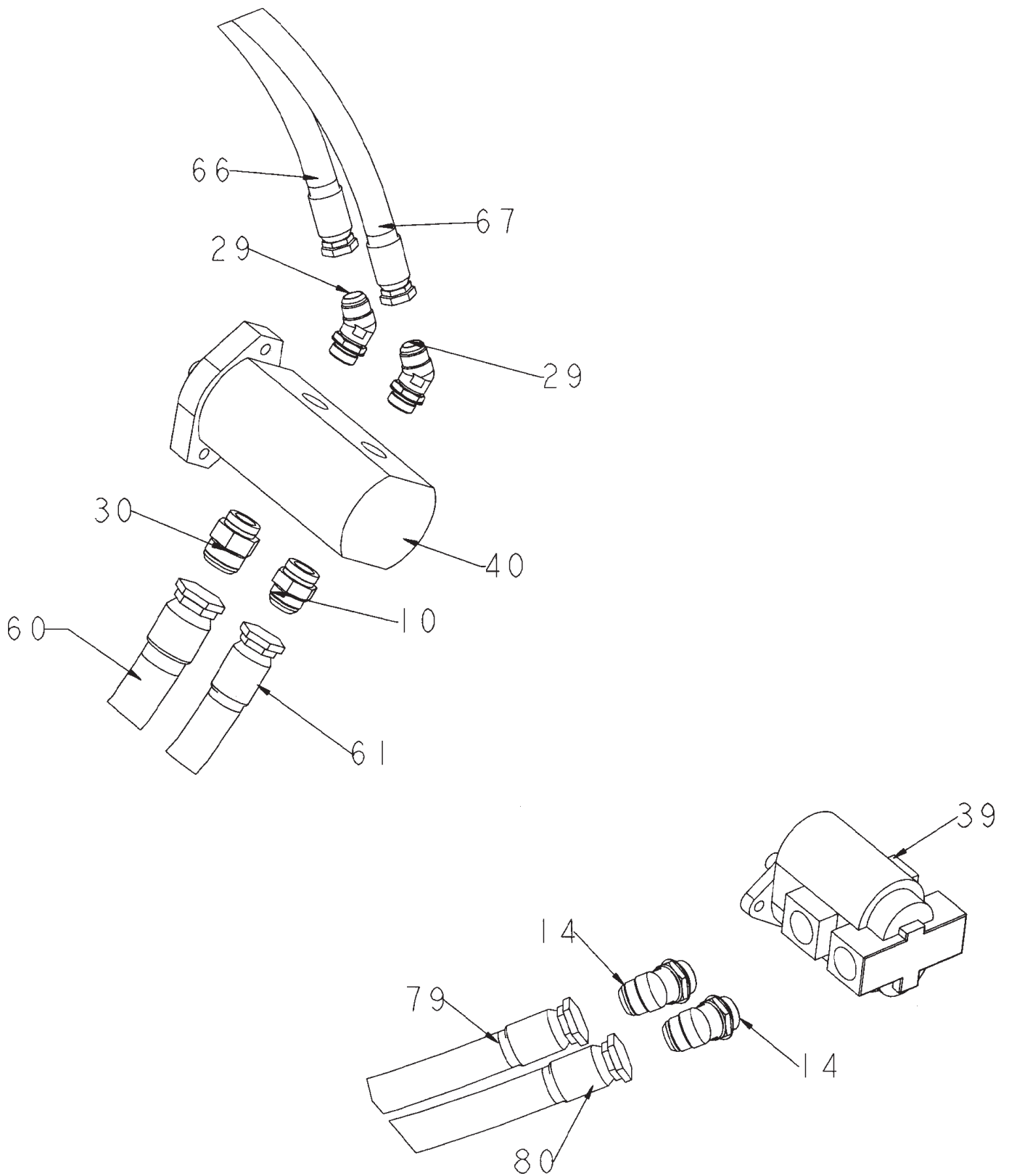
GRAPPLE LOADER OPTION PRESSURE GAUGE HYDRAULICS



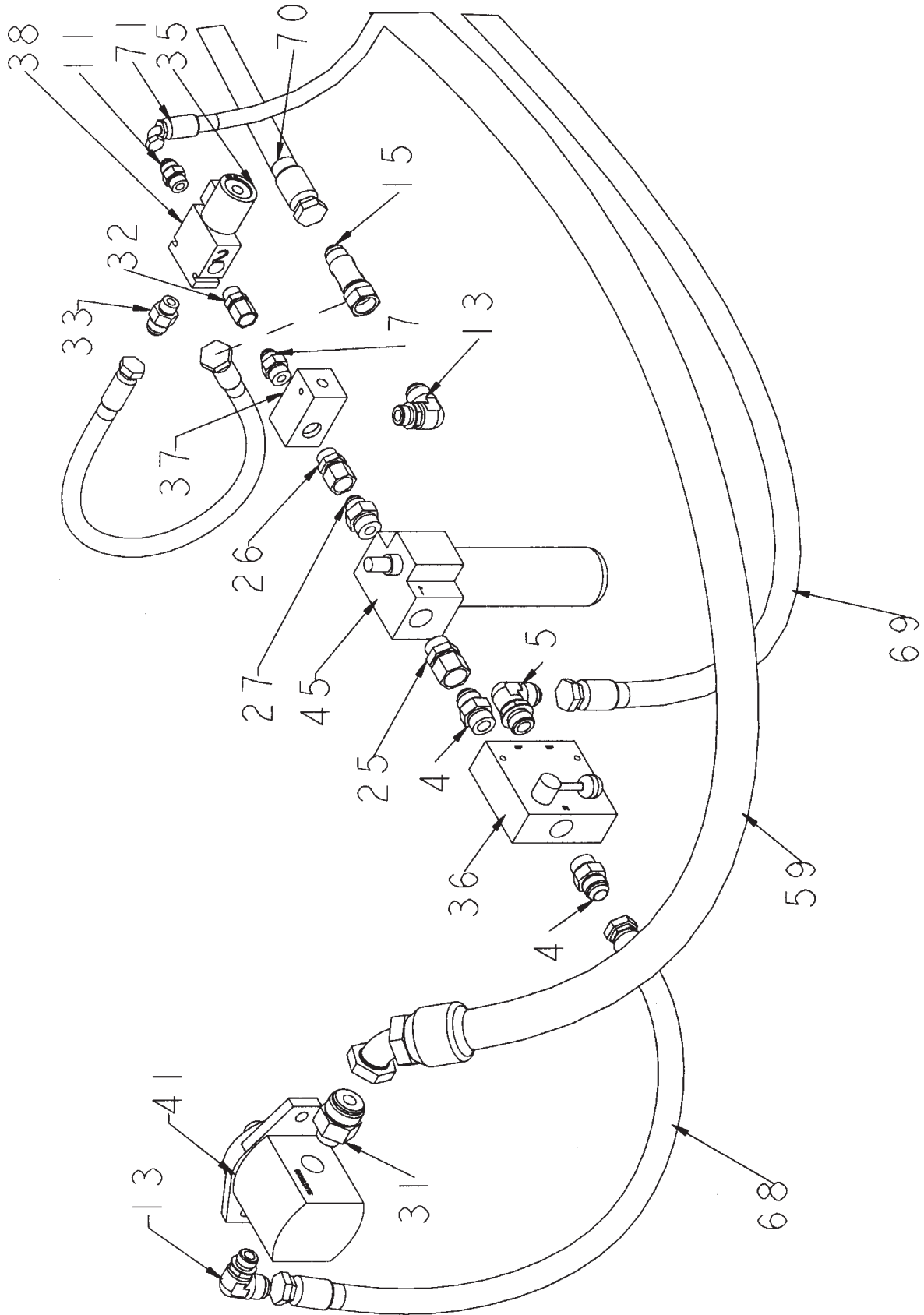
GRAPPLE LOADER OPTION OIL TANK HYDRAULICS



GRAPPLE LOADER OPTION MAIN AND LOADER PUMP HYDRAULICS



GRAPPLE LOADER OPTION LOADER PILOT HYDRAULICS



GRAPPLE LOADER OPTION HYDRAULICS PARTS LIST

ITEM	PART	QTY.	PART DESCRIPTION
1	3700610	1	HOSE\KIT\MAIN
2	3700700	2	HOSE\HYD\12X24\1-1/16 FJC
3	3800085	1	FTG\1/2MP\90D\M;ELL
4	3800277	2	FTG\1-1/16MORX1-1/16MJIC\ST
5	3800279	1	FTG\1-1/16MORX1-1/16MJIC\90
6	3800301	2	FTG\1-5/16MOR\PLUG\HEX
7	3800328	1	FTG\7/8MORX3/4MJIC\ADPT
8	3800381	3	GAUGE\3000PSI\REAR STEM
9	3800453	2	FTG\3/4MORX9/16MJIC\90
10	3800470	1	FTG\1-5/8MORX1-5/8MJIC\ST
11	3800477	1	FTG\3/4MORX3/4MJIC\ST
12	3800497	1	FTG\1-5/16FJICX1-5/16MJICX1-5/16MJIC\RUN;TEE
13	3800535	2	FTG\7/8MORX1-1/16MJIC\90
14	3800581	2	FTG\1-5/8MORX1-5/8MJIC\45
15	3800670	1	FTG\1-1/16FJICX1-1/16MJICX1-1/16MJIC\RUN;TEE
16	3800726	1	FTG\3/4MORX1-1/16MJIC\90
17	3800740	5	VALVE\BALL\1-1/2\1-7/8FOR\1/4 TURN\W/LOCK
18	3800744	1	FTG\1-7/8NUTFJICS
19	3800745	5	FTG\1-7/8MORX1-7/8MOR\ADPT
20	3800746	1	FTG\1-7/8MORX1-7/8MJIC\ST
21	3800747	1	FTG\1-7/8MORX1-7/8MJICX1-7/8MJIC\RUN;TEE
22	3800748	1	FTG\1-7/8FJICX1-5/16MJIC\ADPT
23	3800758	3	FTG\9/16MJICX1/4FP\ADPT
24	3800801	1	FTG\1-7/8MORX1-5/16MJIC\ST
25	3800803	1	FTG\1-1/16MORX1-1/16FJIC\SW
26	3800804	1	FTG\7/8MORX7/8FJIC\SW
27	3800805	1	FTG\7/8MJICX1-1/16MOR\ST
28	3800808	4	FTG\1-7/8MORX1-5/8MJIC\ST
29	3800835	2	FTG\1-5/16MORX1-5/16MJIC\45
30	3800836	1	FTG\1-5/8MORX1-7/8MJIC\ST
31	3800837	1	FTG\1-1/16MORX1-5/8MJIC\ST
32	3800845	1	FTG\3/4MORX3/4FJIC\SW
33	3800849	1	FRG\3/4MORX7/8MJIC\ADPT
34	4000193	1	VALVE\BALL\1/2\LWBRS
35	4000229	1	VALVE\HYD\SOL\24V\635W/D\WPEND
36	4000274	1	VALVE\CONTROL\FLOW\30GPM\1-1/16FOR
37	4000275	1	VALVE\RELIEF\LOADER
38	4000315	1	VLV\HYD\SEL\12V\6GPM
39	4200111	1	PUMP\HYD\2.33x1.78\RH
40	4200112	1	PUMP\HYD\35\25\LH\PLP-
41	4200113	1	PUMP\HYD\15GPM\RH
42	4400043	2	FILTER\HYDRAULIC\RETURN\IN-TANK ELEMENT 4400074
	4400115		VALVE\HYD\SLCTR\1-1/16FOR
43	4400067	5	FLTR\SCRN\2-1/2MORX1-7/8FOR\30GPM\ST30-100-RV3
44	4400071	1	VENTW/LOCK\CAP\HYD
45	4400101	1	FLTR\COMP\10MIC;ABS\>
46	4502005	1	TANK\HYD\1150
47	4703396	1	CAP\CLEAN-OUT\TANK\HYD
48	4800003	4	BOLT\HEX\3/8X1
49	4800024	10	BOLT\HEX\1/4X3/4

GRAPPLE LOADER OPTION HYDRAULICS PARTS LIST

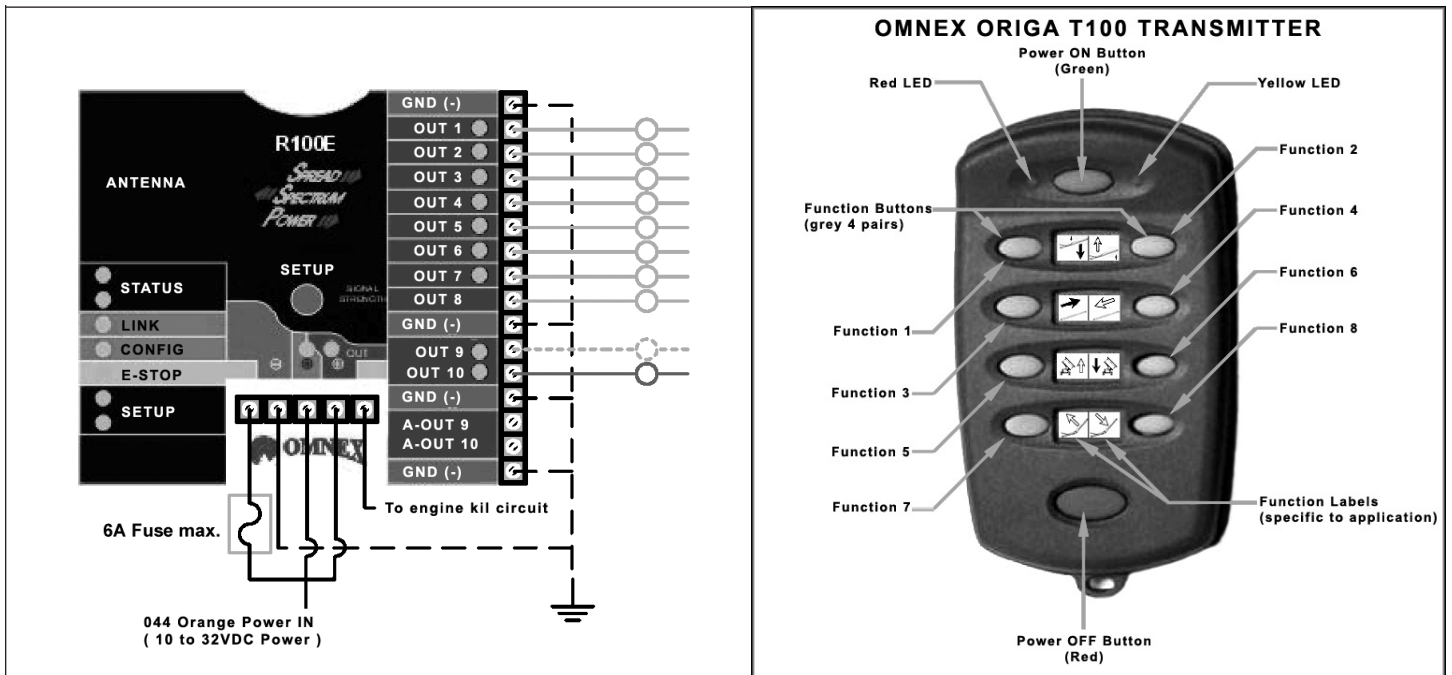
ITEM	PART	QTY.	PART DESCRIPTION
50	4800082	4	BOLT\HEX\1/2X1-1/2
51	4800188	4	BOLT\HEX\1/2X4
52	4900001	7	NUT\HEX\1/2\NC
53	4900002	12	NUT\HEX\3/8\NC
54	5000004	8	WASH\FLAT\1/2
55	5000006	8	WASH\LOCK\1/2
56	5000019	12	WASH\LOCK\3/8
57	5000024	10	WASH\LOCK\1/4
58	7500615	1	GAUGE\LEVEL\10\W/THERMOMETER
59	HOSE_1_3010_LOADER	1	
60	HOSE_2_3010_LOADER	1	
61	HOSE_3_3010_LOADER	1	
62	HOSE_4_3010_LOADER	1	
63	HOSE_5_3010_LOADER	1	
64	HOSE_6_3010_LOADER	1	
65	HOSE_7_3010_LOADER	1	
66	HOSE_8_3010_LOADER	1	
67	HOSE_9_3010_LOADER	1	
68	HOSE_10_3010_LOADER	1	
69	HOSE_11_3010_LOADER	1	
70	HOSE_12_3010_LOADER	1	
71	HOSE_13_3010_LOADER	1	PILOT PRESSURE TO LOADER
72	HOSE_14_3010_LOADER	1	
73	HOSE_15_3010_LOADER	1	
74	HOSE_16_3010_LOADER	1	
75	HOSE_17_3010_LOADER	1	
76	HOSE_41_3010_LOADER	1	CONVEYOR PRESSURE HOSE
77	HOSE_42_3010_LOADER	1	TUB PRESSURE HOSE
78	HOSE_43_3010_LOADER	1	AUXILIARY PRESSURE HOSEE
79	HOSE_44_3010_LOADER	1	FRONT SECTION MAIN PUMP SUCTION HOSE
80	HOSE_45_3010_LOADER	1	REAR SECTION MAIN PUMP SUCTION HOSE
81	HOSE_49_3010_LOADER	1	MAIN RETURN HOSE, COOLER TO TANK
82	HOSE_51_3010_LOADER	1	TUB DRIVE VALVE CASE DRAIN

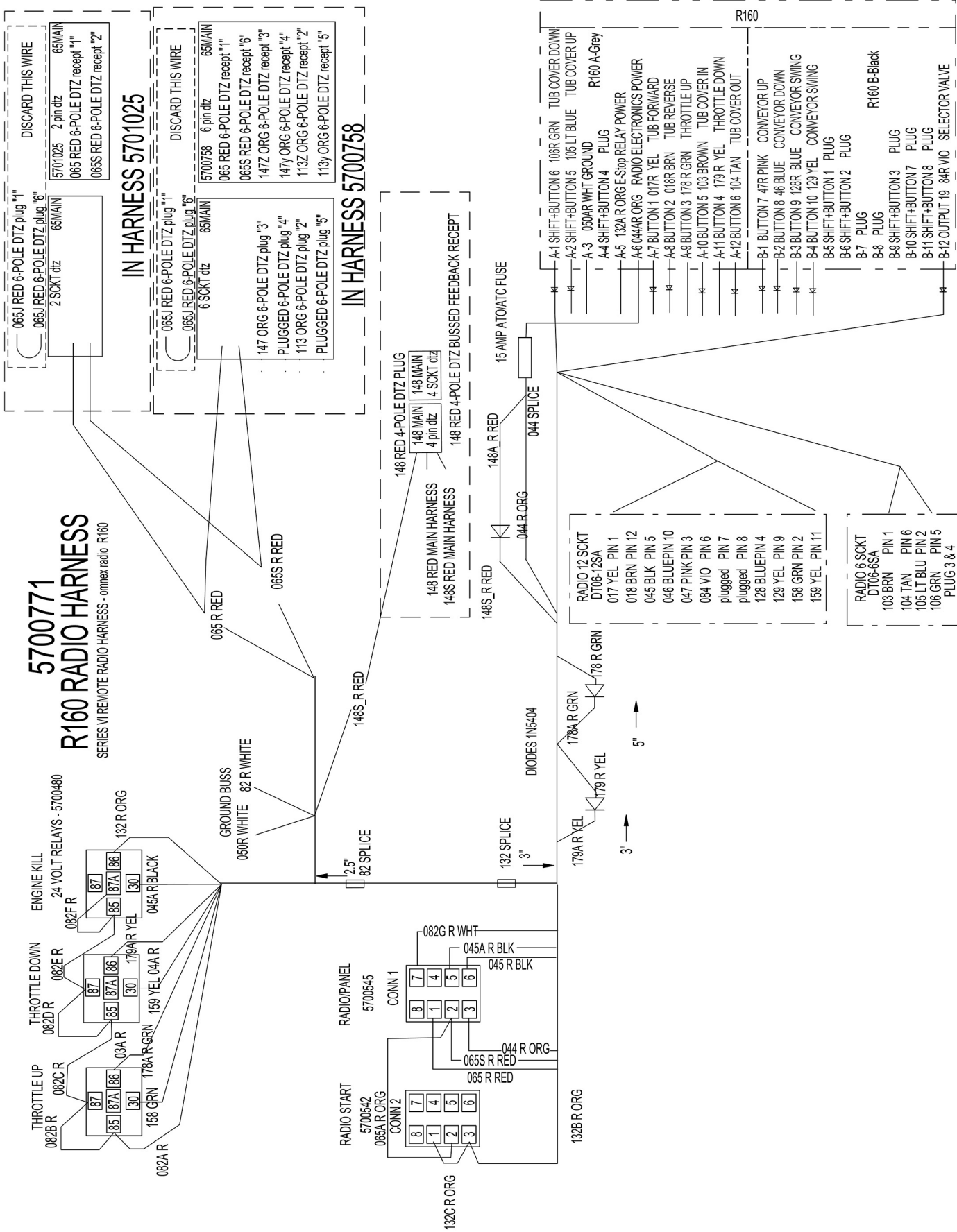
NOT SHOWN

2001049 SEAL\O-RING\CAT

OMNEX RADIO REMOTE CONTROL

PART	QTY.	PART DESCRIPTION
5700444		RADIO\REMOTE\OMNEX\900MHZ \package
5700549		RADIO\REMOTE\ANTENNA\900MHZ
5700620		RADIO\REMOTE\OMNEX\900TX replacement transmitter
5700553		RADIO\REMOTE\OMNEX 915MHZ package
5700549		RADIO\REMOTE\ANTENNA\900MHZ
5700554		RADIO\REMOTE\OMNEX\2.4GHZ\package
5700555		RADIO\REMOTE\OMNEX\T-45\package
5700711		RADIO\TRNSMTR\OMNEX\T-45 replacement transmitter
5700676		BATTERY\9.6V\TRACKREMOTE
5700876		CHRGR\BATT\7.2-18V\120VAC
5700877		CHRGR\BATT\7.2-18V\12V LIGHTER PLUGIN
5700633		RADIO\REMOTE\OMNEX\T300\2.4GHZ
5700712		RADIO\TRNSMTR\OMNEX\T300 replacement transmitter





5700771
R160 RADIO HARNESS
SERIES VI REMOTE RADIO HARNESS - ommer radio R160

IN HARNESS 5701025

IN HARNESS 5700758

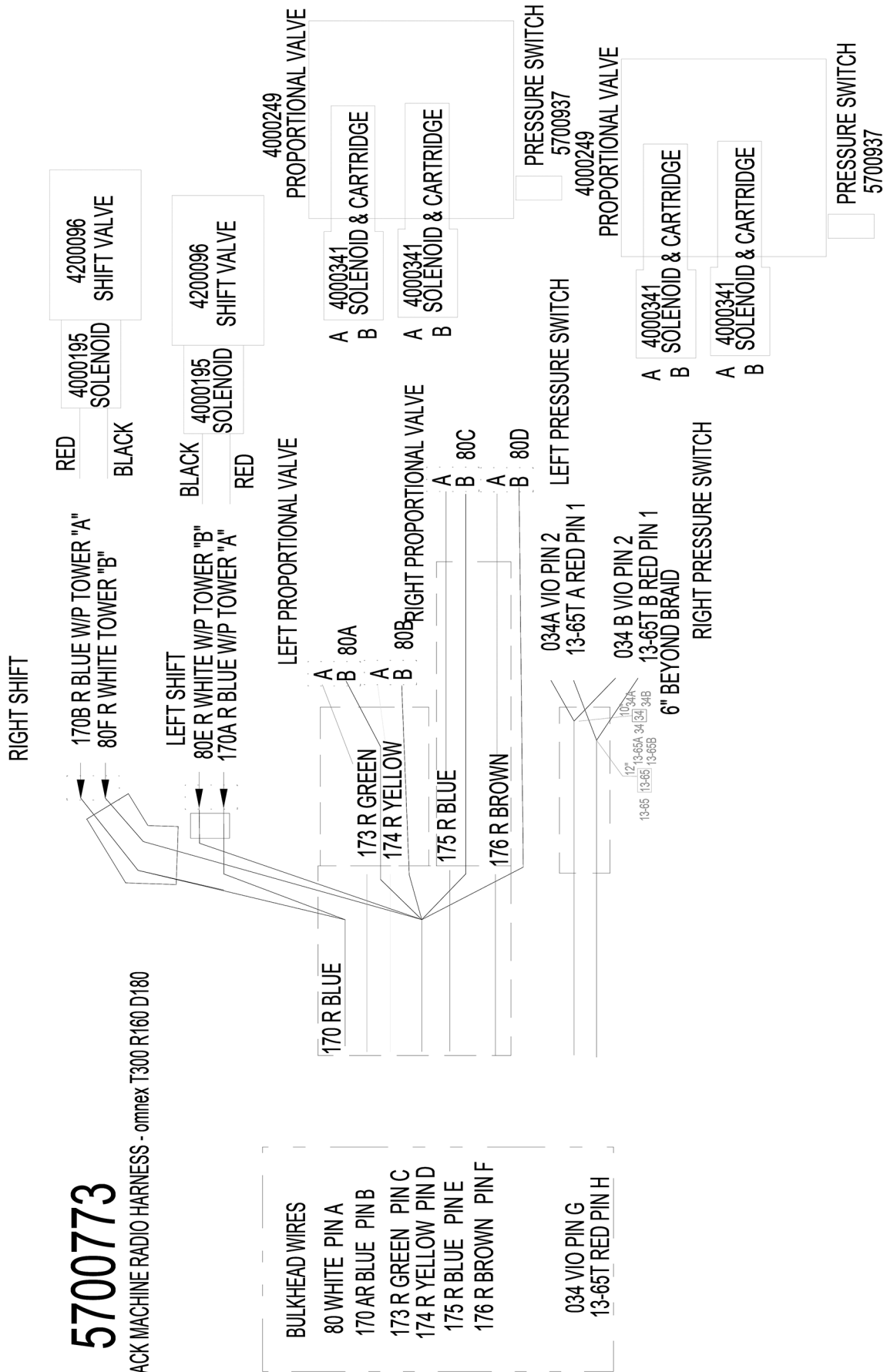
RADIO START
5700542

RADIO/PANEL
5700545

R160

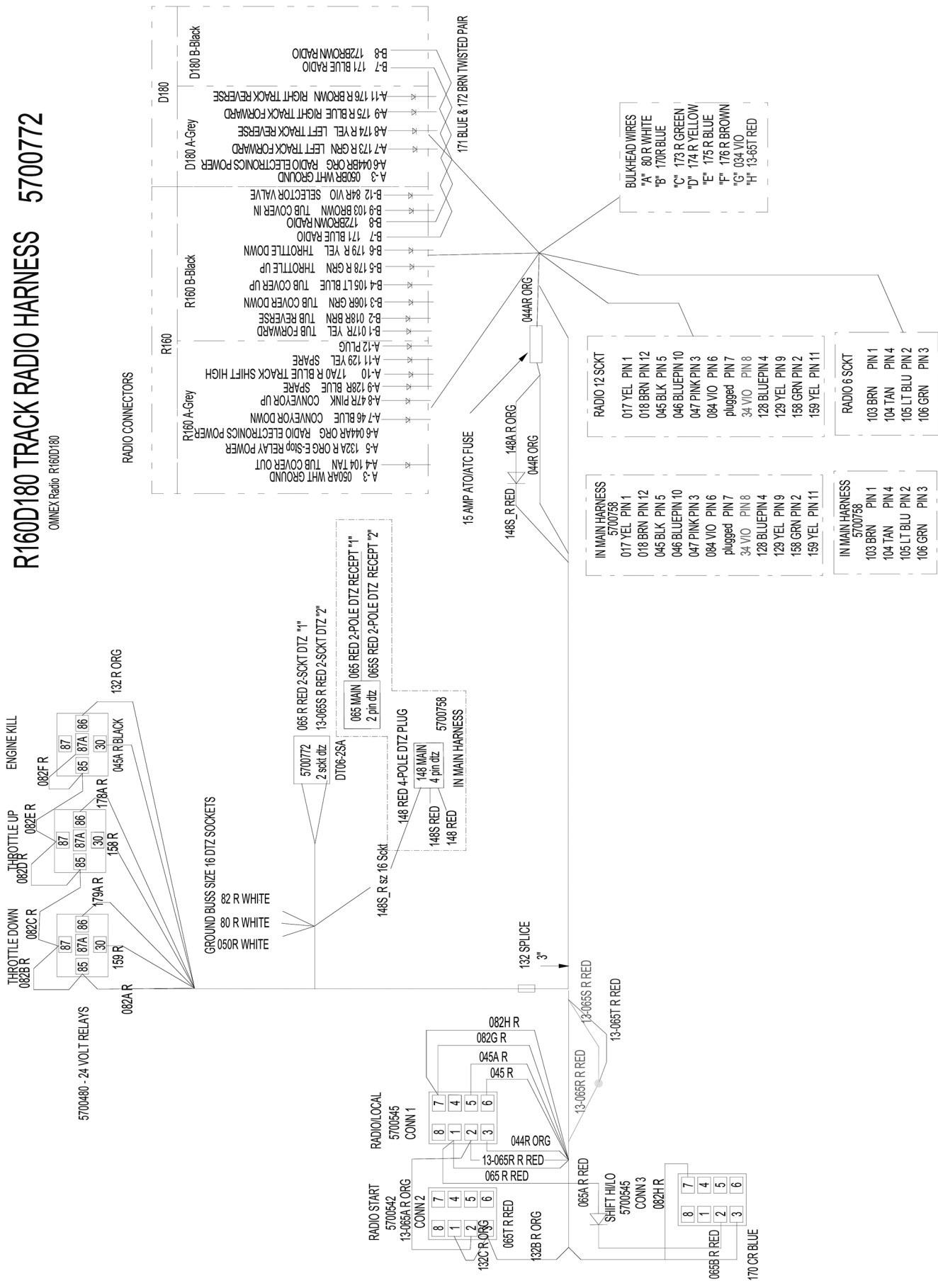
5700773

TRACK MACHINE RADIO HARNESS - omnex T300 R160 D180



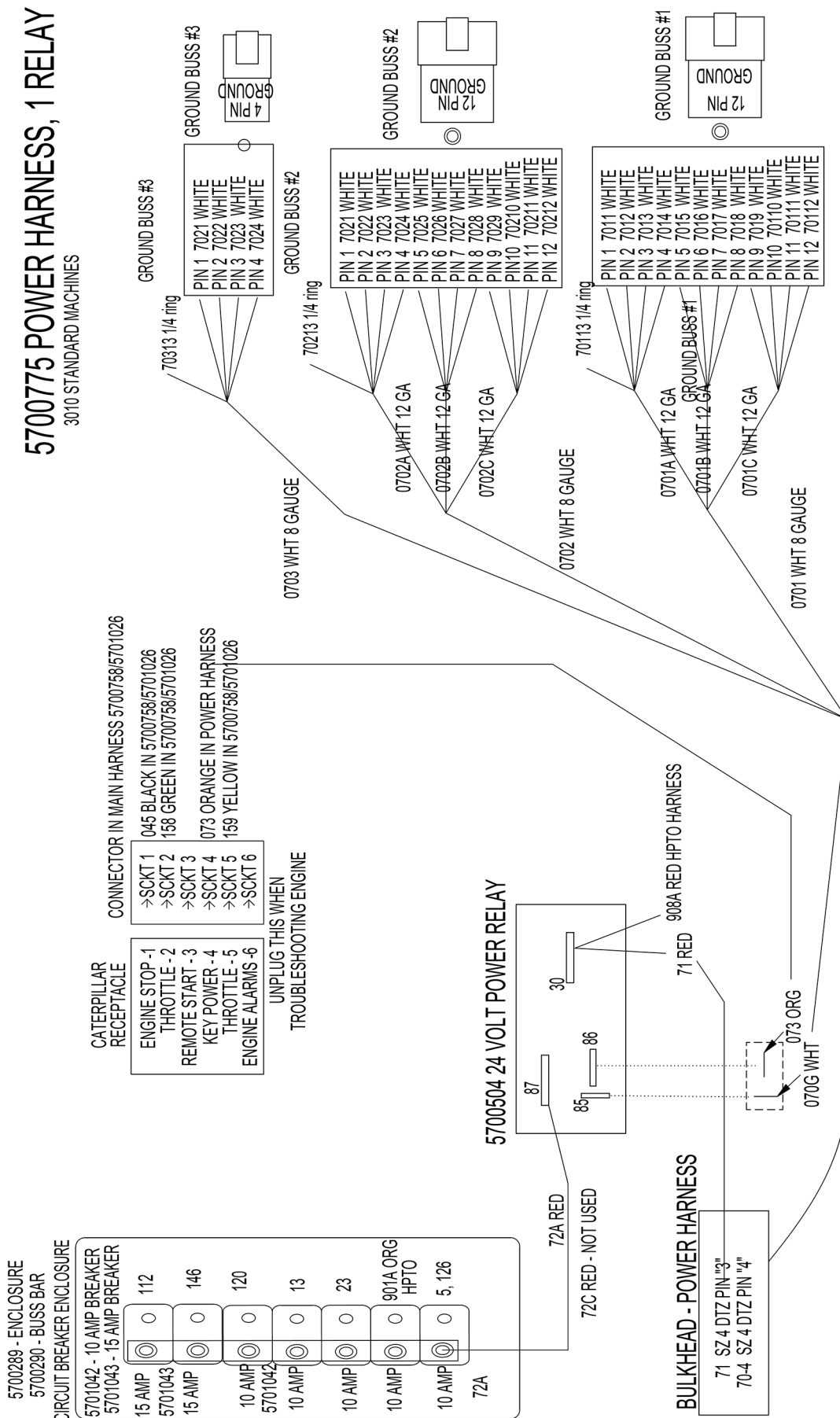
R160D180 TRACK RADIO HARNESS 5700772

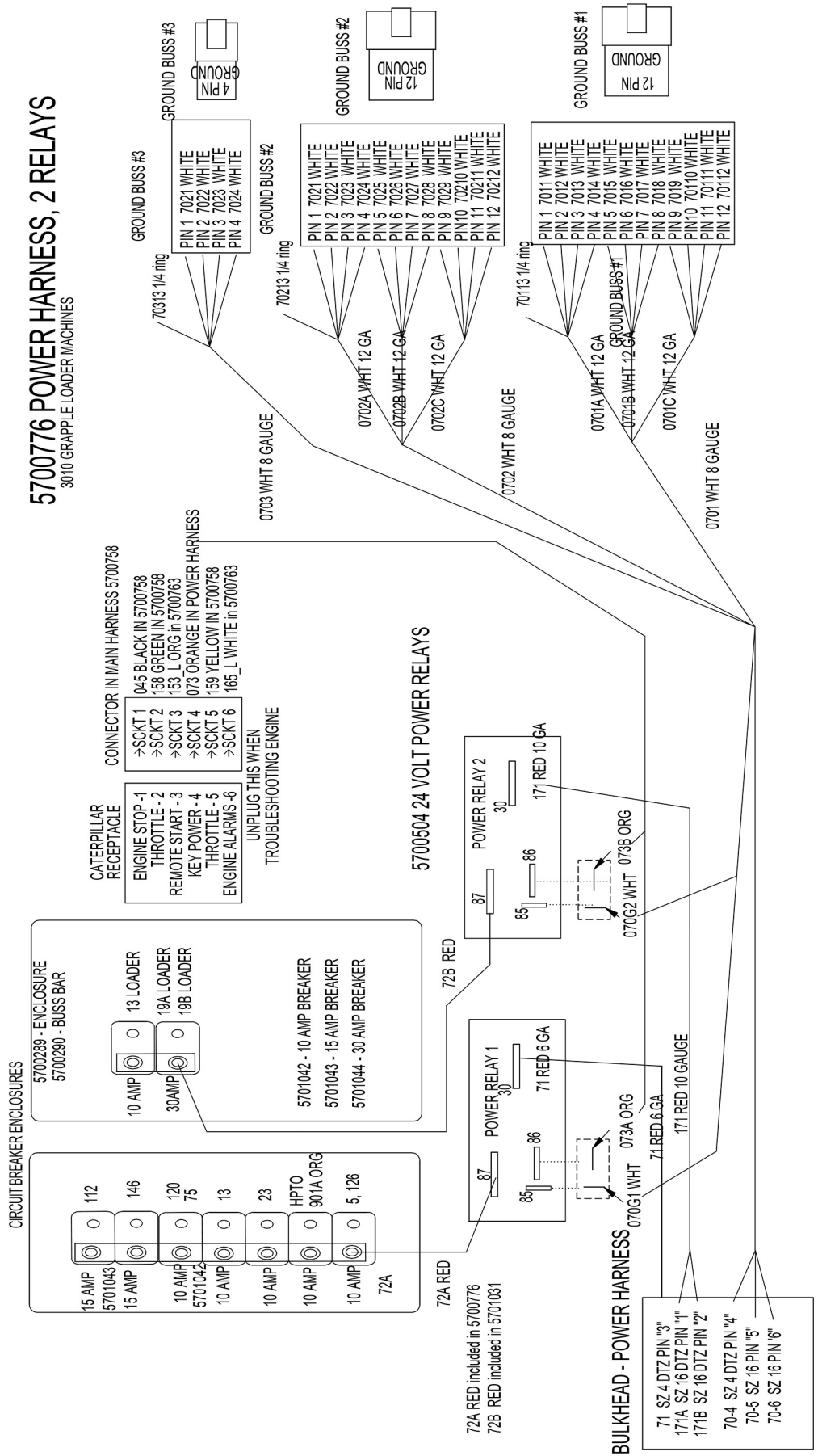
OMNEX Radio R160D180



5700775 POWER HARNESS, 1 RELAY

3010 STANDARD MACHINES





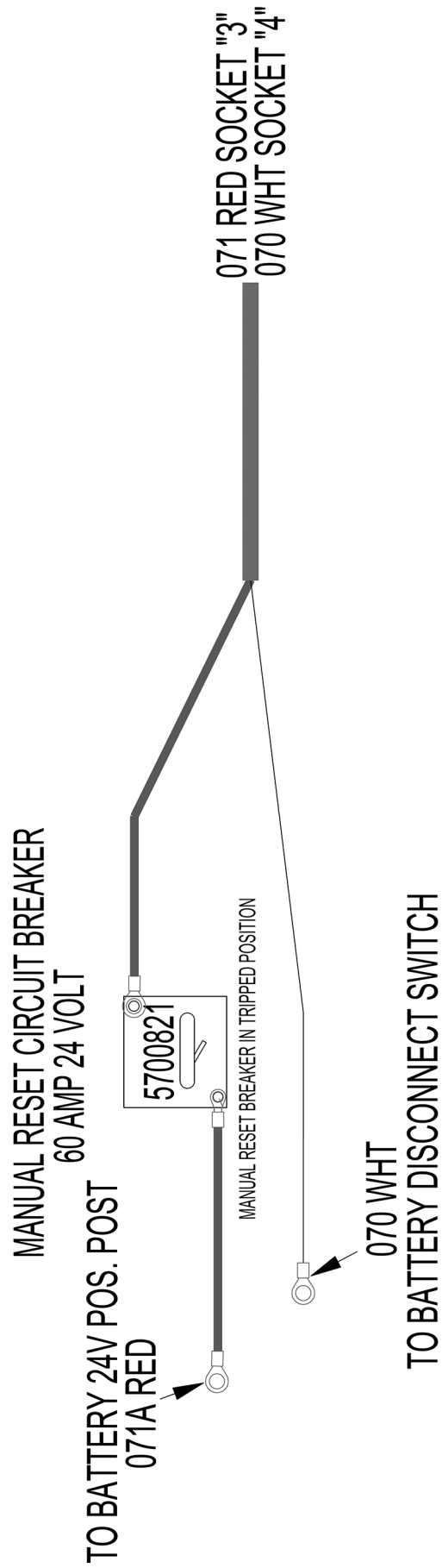
5700777

TUB GRINDER, BULKHEAD PANEL, CATERPILLAR ENGINE TIER 3 CONTROL PANEL JUMPER



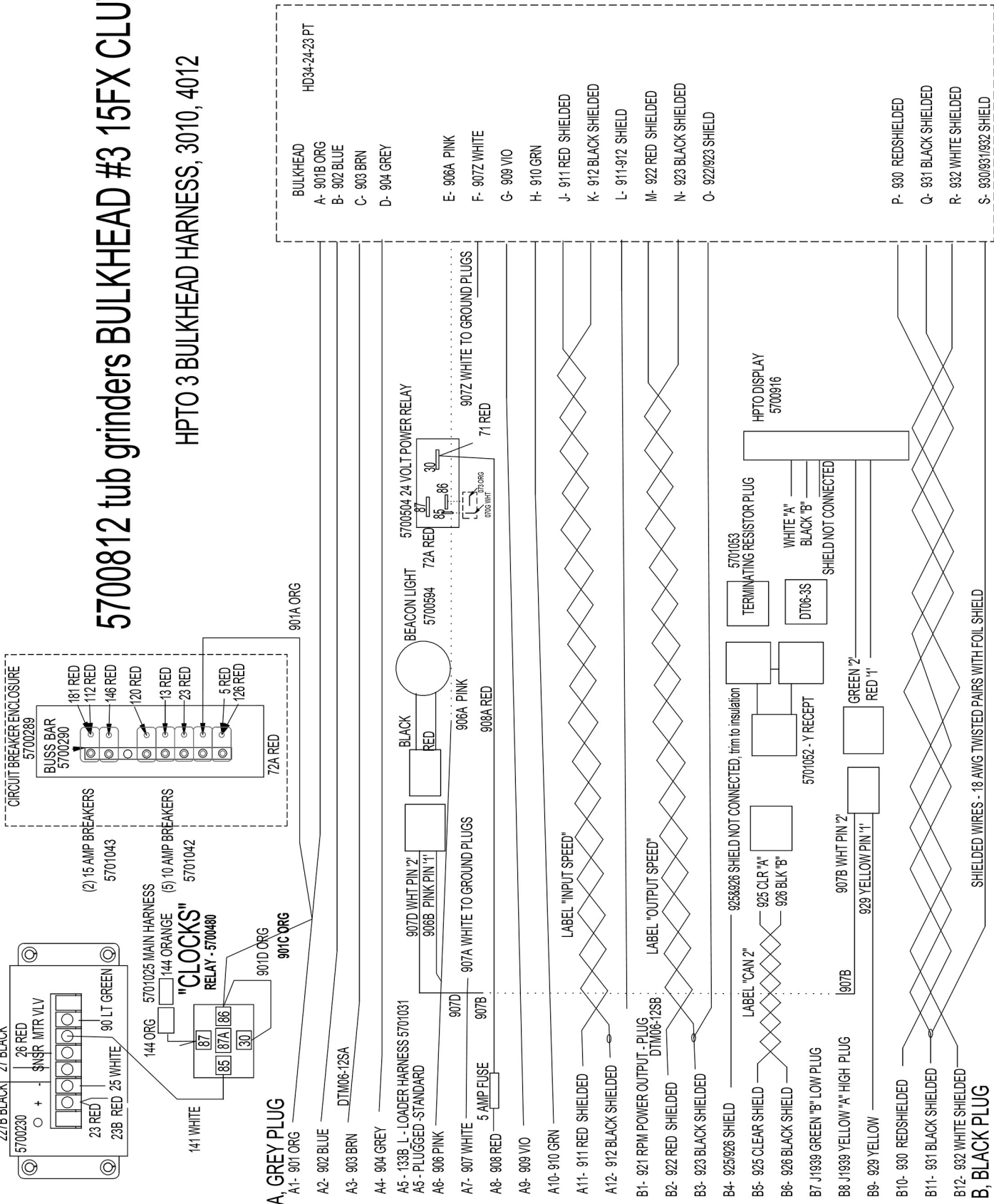
0893 GRN	SOCKET 1	1&2 TWISTED PAIR	0893 GRN	PIN 1
0892 BRN	SOCKET 2		0892 BRN	PIN 2
900K YLW	SOCKET 3		900K YLW	PIN 3
0150 ORG	SOCKET 4		0150 ORG	PIN 4
0101 RED	SOCKET 5		0101 RED	PIN 5
0101A RED	SOCKET 6	3&9 TWISTED PAIR	0101A RED	PIN 6
PLUG	SOCKET 7		PLUG	PIN 7
PLUG	SOCKET 8		PLUG	PIN 8
990K GRN	SOCKET 9		990K GRN	PIN 9
955G GRN	SOCKET 10		955G GRN	PIN 10
0101B RED	SOCKET 11		0101B RED	PIN 11
0101C RED	SOCKET 12		0101C RED	PIN 12
0120 YLW	SOCKET 13		0120 YLW	PIN 13
426F LT BLUE	SOCKET 14		426F LT BLUE	PIN 14
716F WHT	SOCKET 15		716F WHT	PIN 15
962G WHT	SOCKET 16		962G WHT	PIN 16
0101D RED	SOCKET 17		0101D RED	PIN 17
0101E RED	SOCKET 18		0101E RED	PIN 18
404F RED	SOCKET 19		404F RED	PIN 19
420F GRN	SOCKET 20		420F GRN	PIN 20
424F YLW	SOCKET 21		424F YLW	PIN 21
0229 BLK	SOCKET 22		0229 BLK	PIN 22
0101F RED	SOCKET 23		0101F RED	PIN 23
0229A BLK	SOCKET 24		0229A BLK	PIN 24

5700786 3010 POWER HARNESS



5700812 tub grinders BULKHEAD #3 15FX CLUTCH

HPTO 3 BULKHEAD HARNESS, 3010, 4012



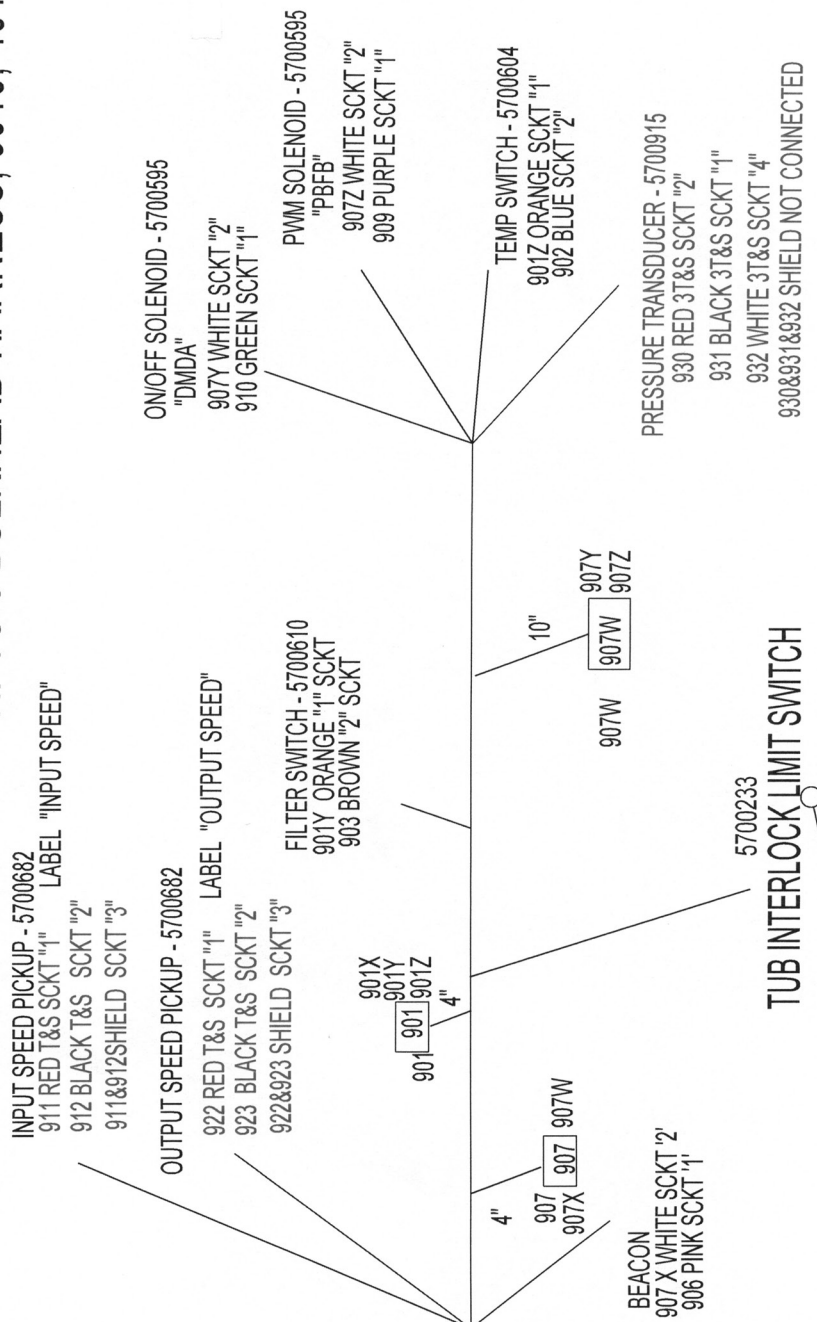
A, GREY PLUG

B, BLACK PLUG

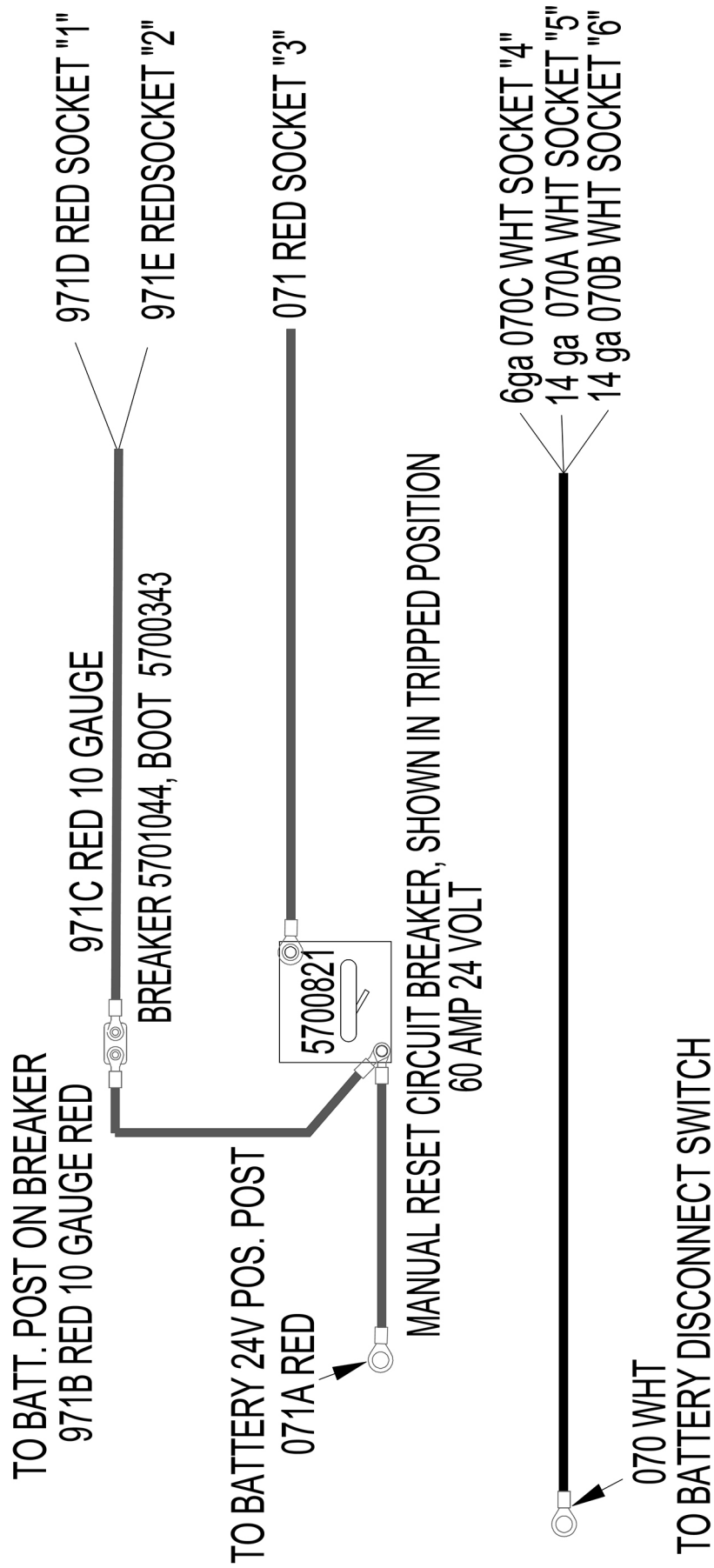
5700813 tub grinders BULKHEAD #3 15FX CLUTCH

HPTO 3 BULKHEAD HARNESS, 3010, 4012

BULKHEAD	HD36-24-23 ST-059
A- 901	ORG
B- 902	BLUE
C- 903	BRN
D- 904	GREY
E- 906A	PINK
F- 907C	WHITE
G- 909	VIO
H- 910	GRN
J- 911	RED SHIELDED
K- 912	BLACK SHIELDED
L- 911-912	SHIELD
M- 922	RED SHIELDED
N- 923	BLACK SHIELDED
O- 922/923	SHIELD
P- 930	REDSHIELDED
Q- 931	BLACK SHIELDED
R- 932	WHITE SHIELDED
S- 930/931/932	SHIELD



5700787 3010 GRAPPLE LOADER POWER HARNESS



5701031 CONTROL PANEL

MODIFICATIONS

5701025 6 pin dtz 65MAIN
065 RED 6-POLE DTZ recept "1"
065S RED 6-POLE DTZ recept "6"

148 RED 4-POLE DTZ PLUG
IN 5701025

5701025 6 SCKT dtz 65MAIN
065J RED 6-POLE DTZ plug "1"
065J RED 6-POLE DTZ plug "6"

RADIO HARNESS

CAT SPLICES

CATERPILLAR DEUTSCH
RECEPTACLE DT06-6S

ENGINE STOP -1 ->SCKT 1
THROTTLE - 2 ->SCKT 2
REMOTE START - 3 ->SCKT 3
KEY POWER - 4 ->SCKT 4
THROTTLE - 5 ->SCKT 5
ENGINE ALARMS - 6 ->SCKT 6

045 BLACK IN 5700758
158 GREEN IN 5700758
"153_L" PIN 3" ORANGE
073 ORANGE IN POWER HARNESS
159 YELLOW IN 5700758
"165_L" PIN 6" WHITE

UNPLUG THIS WHEN
TROUBLESHOOTING ENGINE

130 L ORG - SEALED, NOT USED
137 L RED - SEALED, NOT USED
IN HARNESS 5700812
PIN 5, 12 PIN GREY PLUG | 133 L WHT/RED - TO PIN 5

JUMPERS

72B RED #10 RING; #10 RING (14") 10 GAUGE

12ga
#3 GROUND PLUG
020A_L WHT DTZ Size 12 Socket "1"
020B_L WHT DTZ Size 12 Socket "2"
081_L WHITE DTZ Size 12 Socket "3"
28 WHITE DTZ Size 12 Socket "4"
DTP06-4S

GROUND BUSS #3
IN 5700776

PIN 1 7021 WHITE
PIN 2 7022 WHITE
PIN 3 7023 WHITE
PIN 4 7024 WHITE

DT06-2S

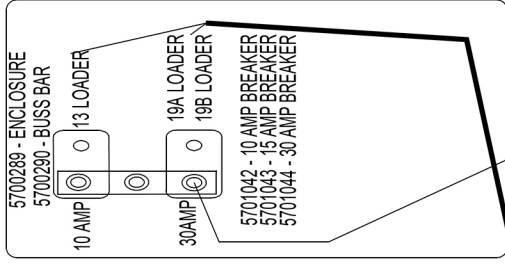
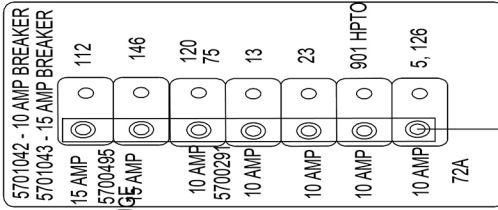
5701031 065 LOADER PLUG
065 L RED 2-POLE DTZ plug "1"
065S L RED 2-POLE DTZ plug "2"

148_L RED DTZ SOCKET

DT04-2P

5701031 065 LOADER RECEPTACLE
065C L RED 2-POLE DTZ recept "1"
065B L RED 2-POLE DTZ recept "2"
MOUNTING CLIP 1027-003-1200

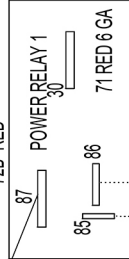
CIRCUIT BREAKER ENCLOSURE



72A RED

72B RED

72C RED



72A RED included in 5701025

72B RED included in 5701031

72C RED included in 5700769

BULKHEAD

PIN 1 019A L RED 12 GA
PIN 2 019B L RED 12 GA
PIN 3 020A L WHITE 12 GA
PIN 4 020B L WHITE 12 GA
PIN 5 013 L RED
PIN 6 28 WHITE
PIN 7 PLUG
PIN 8 066C L RED
PIN 9 PLUG
PIN 10 PLUG
PIN 11 PLUG
PIN 12 PLUG
PIN 13 130 L ORG
PIN 14 133 WHT/RED

PIN 15 PLUG
PIN 16 PLUG
PIN 17 153 L ORG
PIN 18 PLUG
PIN 19 137 L
PIN 20 PLUG
PIN 21 PLUG
PIN 22 PLUG
PIN 23 PLUG
PIN 24 PLUG
PIN 25 PLUG
PIN 26 PLUG
PIN 27 PLUG
PIN 28 165 L WHT
PIN 29 PLUG

CONN 1

5700545

PANEL REMOTE



148S_L RED DTZ

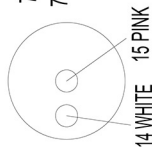
13 148S RED IN 5701026

5701027

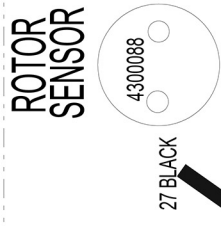
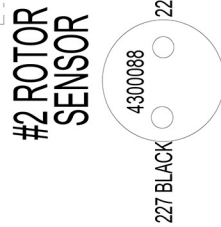
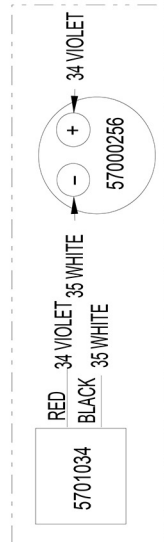
3010 2012 LIGHTS AND SENSOR HARNESS
05/14/2012 REV 0

FUEL GAUGE SENSOR

7500682 FIXED LENGTH 23"
7501568 FIXED LENGTH 19" TRACK MACHINES



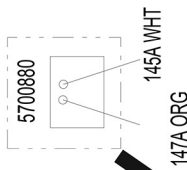
TUB TILT ALARM



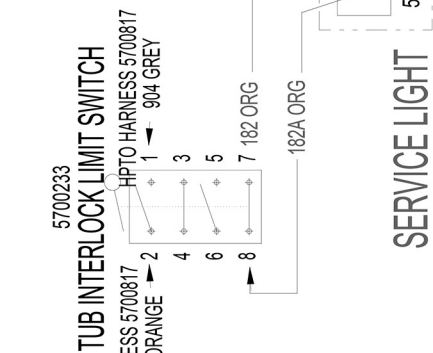
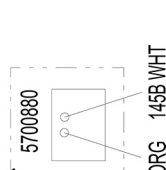
BULKHEAD

- PIN 1 014 WHT
- PIN 2 015 PINK
- PIN 3 028 RED
- PIN 4 027 BLK
- PIN 5 26/27 SHIELD
- PIN 6 034 VIOLET
- PIN 7 035 WHT
- PIN 8 PLUG
- PIN 9 PLUG
- PIN 10 PLUG
- PIN 11 PLUG
- PIN 12 111 WHT
- PIN 13 113 ORG
- PIN 14 126 RED
- PIN 15 127 WHT
- PIN 16 145 WHT
- PIN 17 147 ORG
- PIN 18 180 WHT
- PIN 19 182 ORG
- PIN 20 PLUG
- PIN 21 226 RED
- PIN 22 227 BLACK
- PIN 23 226/227 SHIELD
- PIN 24 PLUG
- PIN 25 PLUG
- PIN 26 PLUG
- PIN 27 PLUG
- PIN 28 PLUG
- PIN 29 PLUG
- PIN 30 PLUG
- PIN 31 PLUG

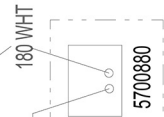
LEFT REAR LIGHT



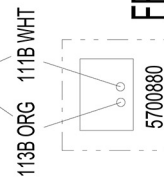
RIGHT REAR LIGHT



SERVICE LIGHT



FRONT LIGHTS



5701033

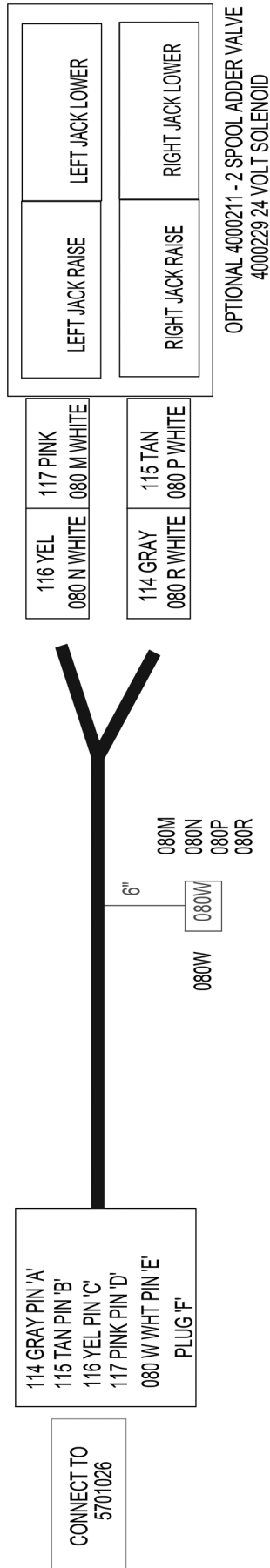
NOTE - EITHER 57001033 OR 57001032 ARE USED ON A MACHINE, NOT BOTH
 57001033 IS ON STANDARD MACHINE, 57001032 IS USED WITH THE LOADER OPTION

05/14/2012 REV 0



5701047

JACKS EXTENSION HARNESS





DECALS

<p>WARNING</p> <p>No Riders</p> <p>Serious personal injury could result from riding on the machine.</p>	<p>ADVERTENCIA</p> <p>Pasajeros Prohibidos</p> <p>Podrían resultar lesiones personales graves al viajar en la máquina.</p>
---	--

6500043

<p>ROTATION</p> <p>NOIIVIOU</p>	<p>ROTACION</p> <p>NOIIVIOU</p>
---	---

6500056

<p>DANGER</p> <p>OBJECTS THROWN BY MACHINE</p> <p>Do not operate without wearing safety glasses and a hard hat. Keep all unauthorized personnel out of grinding area!</p>	<p>PELIGRO</p> <p>OBJETOS LANZADOS POR LA MÁQUINA</p> <p>No opere esta máquina sin llevar puestas los anteojos de seguridad y el casco. Mantenga al personal no autorizado fuera del área de esmerilado!</p>
---	--

6500118

DIESEL FUEL

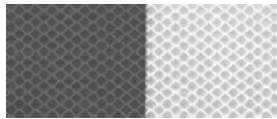
6500123

HYDRAULIC OIL

6500124



650244, 6500342



6500245

<p>WARNING</p> <p>OVERHEAD CONVEYOR HAZARD</p> <p>To prevent serious injury or death, keep clear of overhead conveying system. Do not touch or lean against any part of the conveying system. Keep others away.</p>	<p>ADVERTENCIA</p> <p>PELIGRO DE CINTA TRANSPORTADORA ELEVADA</p> <p>No toques ni te apoyes de la cinta transportadora en funcionamiento. No te apoyes ni te apoyes contra ninguna parte del sistema de transporte. Manténgase alejado de otros personal.</p>
---	---

6500214

<p>WARNING</p> <p>OVERHEAD CONVEYOR HAZARD</p> <p>To prevent serious injury or death, keep clear of overhead conveying system. Do not touch or lean against any part of the conveying system. Keep others away.</p>	<p>ADVERTENCIA</p> <p>PELIGRO DE CINTA TRANSPORTADORA ELEVADA</p> <p>No toques ni te apoyes de la cinta transportadora en funcionamiento. No te apoyes ni te apoyes contra ninguna parte del sistema de transporte. Manténgase alejado de otros personal.</p>
---	---

6500215

<p>DANGER</p> <p>ELECTROCUTION HAZARD</p> <p>To prevent serious injury or death from electrocution: Stay away from power lines when operating boom loader, folding and raising conveyors, and transporting on roads. This machine is not grounded, electrocution may occur without direct contact.</p>	<p>PELIGRO</p> <p>PELIGRO DE ELECTROCUCIÓN</p> <p>Para evitar lesiones graves o la muerte por electrocución: Permanezca alejado de las líneas de electricidad al operar el cargador con brazo de tado, las cintas transportadoras de plegado e izado y el transporte por caminos. Esta máquina no tiene conexión a tierra y puede producirse la electrocución sin contacto directo.</p>
--	---

6500216

<p>WARNING</p> <p>HIGH-PRESSURE FLUID HAZARD</p> <p>To prevent serious injury or death: Relieve pressure on system before repairing, adjusting or disconnecting. Wear proper hand and eye protection when searching for leaks. Use wood or cardboard instead of hands. Keep all components in good repair.</p>
--

6500220

RADIO START UP

1. Press green button on transmitter. Yellow light must start flashing.
2. Set tub rotation to neutral.
3. Press Radio Start Switch and hold it in.
4. Set radio switch to remote.
5. Count to 5 and release Radio Start Switch.

6500326

<p>OPEN CAP SLOWLY</p> <p>CONTENTS MAY BE UNDER PRESSURE</p>
--

6500371

<p>BATTERY CONNECT</p> <p>ON</p> <p>OFF</p>
--

6500373

<p>WARNING</p> <p>FOR YOUR PROTECTION AND SAFETY OF OTHERS, FOLLOW THESE SAFETY RULES.</p> <ol style="list-style-type: none"> 1. Read and understand operator manual before operating machine. 2. Place all controls in neutral, stop engine, remove ignition key, lock out power source, and wait for all motion to stop before servicing, adjusting, repairing, or unloading. 3. Read and understand all decals on machine for your safety. 4. Keep all children in place while machine is in operation. 5. Keep hands, feet, hair, and clothing away from moving parts. 6. Keep others away from machine while in operation. 7. Install safety locks before transporting, or working beneath components. 8. Do not allow riders at any time. 9. Do not leave machine unattended with engine running. 10. Keep all hydraulic lines, couplings, and fittings free of leaks during operation. 11. Keep away from overhead electrical lines. Electrocution can occur without direct contact. 12. Review safety instructions periodically. 	<p>ADVERTENCIA</p> <p>PARA SU PROTECCIÓN Y LA SEGURIDAD DE OTROS, OBSERVE ESTAS NORMAS DE SEGURIDAD.</p> <ol style="list-style-type: none"> 1. Lea y comprenda el manual del operador antes de operar la máquina. 2. Coloque todos los controles en punto neutro, apague el motor, retire la llave de encendido, cierre la alimentación de electricidad y espere a que se detenga toda el movimiento antes de proceder al servicio, ajuste, reparación o descargado. 3. Lea y comprenda todos los calcomanitos adheridos a la máquina para su seguridad. 4. Mantenga a los niños en su lugar mientras la máquina está en funcionamiento. 5. Mantenga las manos, pies, cabeza y ropa lejos de las partes en movimiento. 6. Mantenga a otras personas alejadas de la máquina en funcionamiento. 7. Instale todos de seguridad antes de proceder al transporte o a trabajar debajo de las componentes, que otras personas eigan en la máquina. 8. No permita que otros operen la máquina. 9. No deje a ni niños en la máquina sin operador con el motor encendido. 10. Mantenga todas las líneas hidráulicas, acoplamiento y accesorios sin fugas durante el funcionamiento. 11. Permanezca alejado de las líneas eléctricas elevadas. Puede producirse la electrocución sin contacto directo. 12. Analice las instrucciones de seguridad en forma periódica.
--	--

6500208

<p>WARNING</p> <p>6500253</p>

6500300

RADIO START UP

1. Set tub rotation to neutral.
2. Press transmitter red E-stop in.
3. Switch transmitter on.
4. Reset transmitter red E-stop out. Yellow light must start flashing.
5. Press Radio Start Switch and hold it in.
6. Set radio to remote.
7. Count to 5 and release Radio Start Switch.

6500396

<p>WARNING</p> <p>THROWN OBJECT HAZARD</p> <p>Do not operate without wearing safety glasses and a hard hat. Keep all unauthorized personnel out of grinding area!</p>	<p>ADVERTENCIA</p> <p>PELIGRO DE OBJETOS DESPEDIDOS</p> <p>No opere esta máquina sin llevar puestas los anteojos de seguridad y el casco. Mantenga al personal no autorizado fuera del área de esmerilado!</p>
---	--

6500209

<p>DANGER</p> <p>ROTATING PART HAZARD</p> <p>Stay out of the drive/engines to prevent injury.</p> <p>1. Keep hands, feet, hair, and clothing away from rotating parts.</p> <p>2. Do not touch or lean against any part of the conveying system.</p>	<p>PELIGRO</p> <p>PELIGRO DE PARTE GIRATORIA</p> <p>Manténgase alejado de las partes giratorias para evitar lesiones.</p> <p>1. Mantenga las manos, pies, cabeza y ropa lejos de las partes giratorias.</p> <p>2. No toque ni se apoye contra ninguna parte del sistema de transporte.</p>
---	--

6500212

<p>WARNING</p> <p>Pinch Point</p> <p>Stay back</p>
--

6500339

<p>WARNING</p> <p>CHECK FOR FIRES. CLEAN OFF DEBRIS, SWITCH OFF BATTERY</p> <p>NEVER leave this machine unattended until all potential fire debris is removed, no fire or smoldering exists, and battery is shut off. Remove all flammable debris from engine, shielding, control panel, under machine and anywhere material is collected.</p> <p>Duratech Industries is not responsible for fires caused by hazards left to smolder and burn, or improper shutdown procedures.</p>

6500425

DECALS

PART	QTY.	PART DESCRIPTION
6500340		DECAL\KIT\3010
6500043	1	DECAL\WARN\NO;RIDERS
6500056	2	DECAL\INFO\ROTATION\STR
6500118	1	DECAL\DNGR\OBJECTS;THROWN
6500123	1	DECAL\INFO\DIESEL;FUEL
6500124	1	DECAL\INFO\HYD;OIL
6500208	1	DECAL\WARN\GENERAL
6500209	1	DECAL\WARN\THROWN;OBJECT;>
6500212	1	DECAL\WARN\ROTATING;PRT;>
6500214	2	DECAL\WARN\OVRHED;CNVYR;>
6500215	2	DECAL\WARN\FOLDNG;CNVYR;>
6500216	2	DECAL\WARN\ELEC;HAZARD
6500220	1	DECAL\WARN\HI;PRESS;FLUID
6500244	2	DECAL\LOGO\DURA\9\SLVR
6500245	25 Ft	DECAL\MISC\TAPE\RED\WHT\>
6500253	1	DECAL\INFO\FLUID;LEVEL\>
6500300	25Ft	DECAL\LOGO\5.8\STRIPE\SLV
6500315	1	DECAL\INFO\CLEAN:ENG:COMP
6500326	option	DECAL\INFO\OMNEX;START
6500339	2	DECAL\WARN\PINCH;POINT
6500341	2	DECAL\LOGO\3010
6500342	2	DECAL\LOGO\DURATECH\3010
6500343	2	DECAL\LOGO\SWIRL\3010
6500371	1	DECAL\WARN\tANK\FUEL
6500373	1	DECAL\INFO\BATT;DISC
6500396	option	DECAL\INFO\OMNEX;T300
6500425	1	DECAL\WARN\FIRE\PREVENT
6500497	1	DECAL\EXTINGUISHER\FIRE
6500554	1	DECAL\PNL\CNTRL\3010

NOT SHOWN

7500932	PAINT\SILVER\SPRAY\MET.
7500933	PAINT\BLUE\SPRAY\MET
7500984	PAINT\BLUE\GALLON

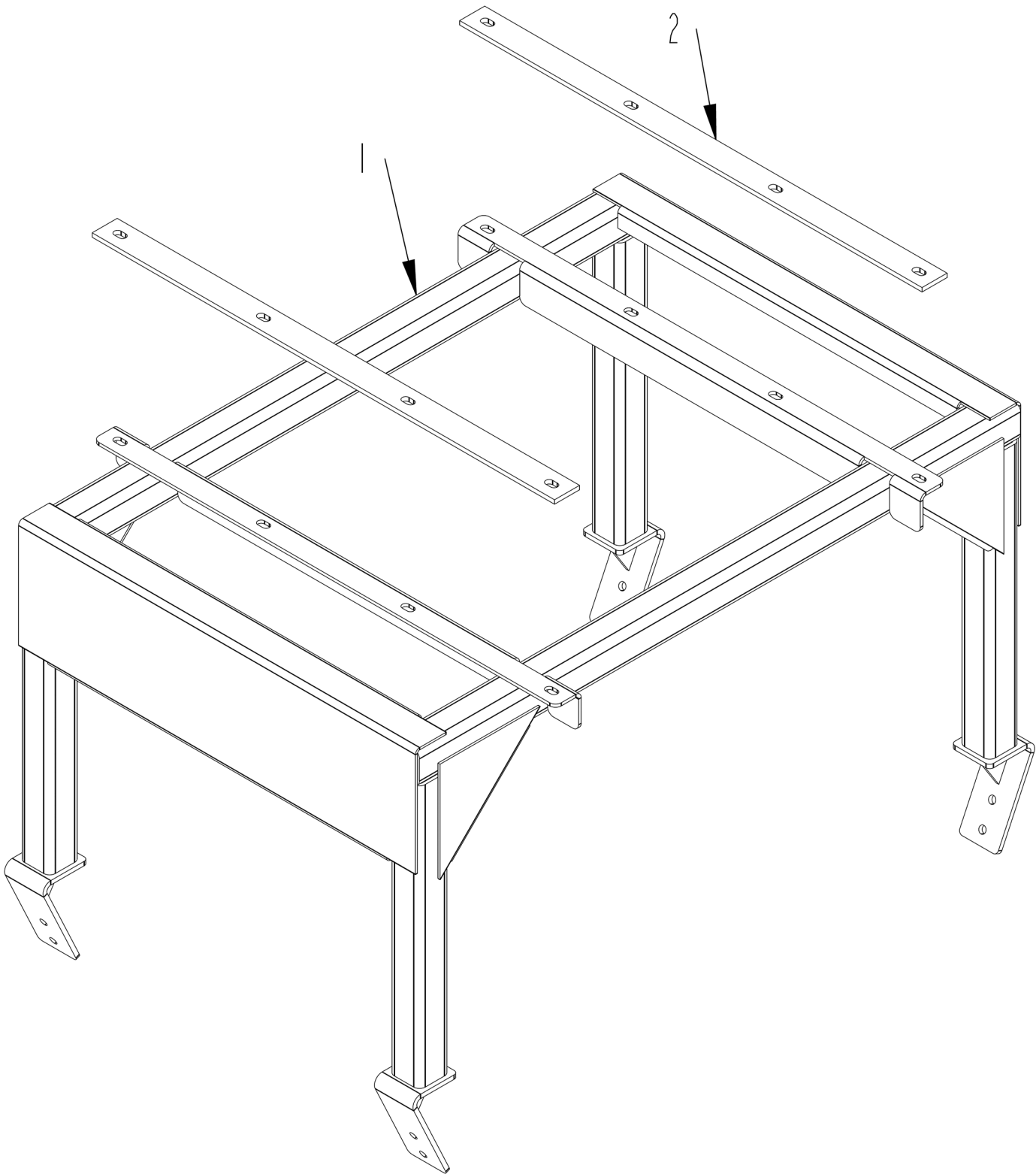


6500497

TRACK FRAME AND FUEL TANK 3010 TRACK

ITEM	PART	QTY.	PART DESCRIPTION
1	O900130	1	TRACK\CAT\320L
2	3800008	2	FTG\1/2MPX1/2FP\90\ST;EL
3	3800086	1	FTG\1/2MPX1-1/2\NPL
4	3800322	1	FTG\1/2FP\CPLG\W
5	3800360	1	FTG\1/2MP\PLUG\HEX
6	3800691	2	FTG\AIR\1/2MPX1/2PSHLCK\BRASS
7	3800706	1	FTG\7/8MJICX1/2FP\BULKHEAD
8	4000193	1	VALVE\BALL\1/2\WMBRS
9	4501551	2	BRKT\BATT
10	4501552	1	BRKT\BOX\BATTERY\BOTTOM
11	4703108	1	TUBE\FILL\INNER\FUEL
12	4703198	8	HLDN\BRCKT\BTTRY
13	4703481	1	TANK\FUEL\3010T
14	4703483	1	TUBE\SUCTION\TANK\FUEL\3010T
15	4703484	1	PL\SKID\3010T
16	4703491	1	PL\SKID\3010T
17	4703946	1	BRKT\COVER\BOX\BTTRY
18	4703947	1	BRKT\COVER\BTTRY
19	4703948	1	BRKT\COVER\BOX\BATTERY
20	4703949	2	COVER\BTTRY
21	4704601	1	BRKT\BOX\BATTERY
22	4704602	1	BRKT\BOX\BATTERY
23	4704608	1	LDDR\SERV\RTR
24	4704609	1	EXT\STEP\RAD\PLTFRM
25	4800003	29	BOLT\HEX\3/8X1
26	4800082	6	BOLT\HEX\1/2X1-1/2
27	4800098	30	BOLT\HEX\3/8X1-1/4\NC
28	4800497	8	SCR\PAN\PHL\#10X3/4\NC
29	4900001	6	NUT\HEX\1/2\NC
30	4900002	65	NUT\HEX\3/8\NC
31	4900032	4	NUTWING\3/8\NC
32	4900072	8	NUT\HEX\#10\NC
33	5000001	88	WASH\FLAT\3/8
34	5000004	12	WASH\FLAT\1/2
35	5000006	6	WASH\LOCK\1/2
36	5000019	63	WASH\LOCK\3/8
37	5000071	8	WASH\LOCK;EXT\STAR\#10
38	5700002	2	BATT\12VDC
39	7500756	8	BMPR\RBBR\1-1/32X5/8
40	7500811	1	CAP\FUEL\LOW_PRESS_RELIEF
41	7501568	1	GAUGE\FUEL\SENDING\19"

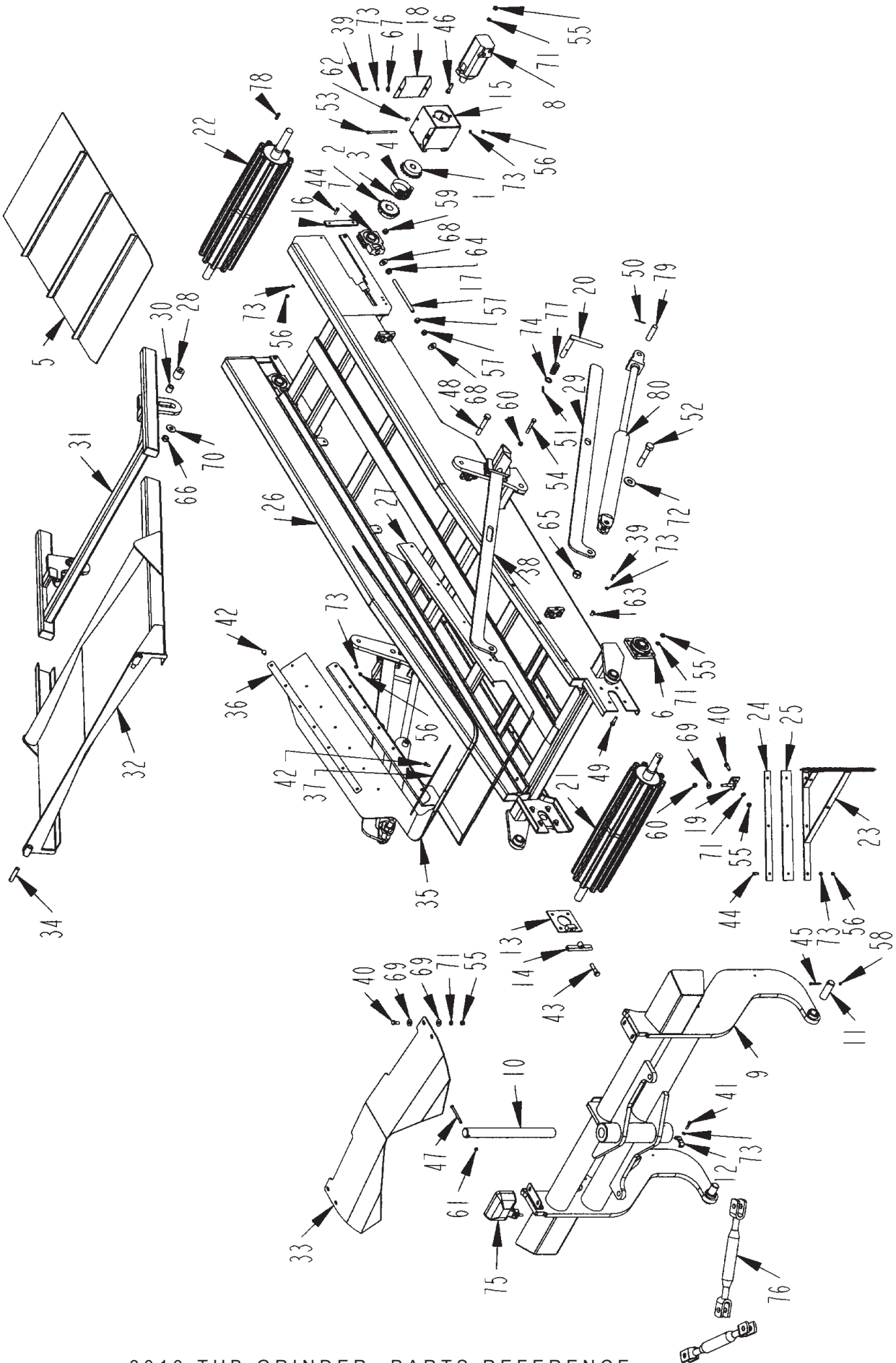
TRACK HYDRAULIC TANK MOUNT ASSEMBLY



TRACK HYDRAULIC TANK MOUNT ASSEMBLY

ITEM	PART	QTY.	PART DESCRIPTION
1	4704620	1	MNT\TANK\OIL
1A	4705302		MNT\TANK\OIL (S.N. 3127, 3128)
2	4704725	2	PAD\TANK\HYD\3010T

DISCHARGE CONVEYOR 3010 TRACK



DISCHARGE CONVEYOR 3010 TRACK

ITEM	PART	QTY.	PART DESCRIPTION
1	1000054	1	SPKT\60\B\18\1-1/4\5/16KW
2	1000081	1	SPKT\60\B\18\1-1/2\3/8KW
3	1100064	1	CHAIN\60DBL\CL
4	1100066	1	CHAIN\60DBL\17
5	1700214	1	BELT\CNVYR\30X277.25\CLTD
6	2000303	2	BRG\FLG\1-1/2\BOLT
7	2000320	2	BRG\TUJ\1-1/2\W-ECC\BSEAL
8	3900010	1	MTR\HYD\24\2000\SAE;A
9	4501373	1	FRM\SWIVEL\CNVYR\DISCH
10	4501381	1	PIN\PIVOT\CNVYR\SWING
11	4501765	2	PIN\PIVOT\CNVYR\DISCH
12	4700776	2	CLMP\HOSE\3/8
13	4701528	1	BRKT\ADJ\TRACKING\CNVYR\DISCH
14	4701529	1	HOOK\ROD\ADJ\BELT\CNVYR\DISCH
15	4702203	1	BRKT\MTR\DRV\CNVYR
16	4702204	2	STRAP\REINFRG\GUIDE\BRG\CNVYR
17	4702205	2	BOLT\ADJ\RLLR\DRV\CNVYR
18	4702206	2	GUARD\SPKT\CPLG\DRV\CNVYR
19	4702473	2	SCRPR\BELT\CNVYR\DISCH
20	4702715	2	PIN\LOCK\CNVYR\DISCH
21	4703435	1	RLLR\IDLER\41-1/2X8\CNVYR\DISCH
22	4703437	1	RLLR\DRV\41-1/2X8\CNVYR\DIS
23	4703438	1	FRM\SCRPR\BELT\CNVYR\DISCH
24	4703443	2	FLT\DBL\SCRPR\CNVYR\DISCH
25	4703444	2	FLAT\SCRPR\PLASTIC\CNVYR\DISCH
26	4703486	1	CNVYR\DISC\3010T
27	4703487	2	BRKT\CHUTE\DISCH
28	4703488	2	TUBE\SPCR\HINGE\CVR\CNVYR
29	4703490	2	PL\STOP\CONV
30	4703626	2	BSHNG\SLIDR\CVR\CNVYR\DISCH
31	4703882	1	SHLD\CNVYR\DSCHR
32	4703883	1	CVR\SHLD\CNVYR\DSCHR
33	4703885	1	CVR\CNVYR\DSCHR
34	4703896	2	PIN\SHLD\CNVYR\DSCHR
35	4703900	2	HPPR\CNVYR\DISCH
36	4704208	2	BRKT\CHUTE\CNVYR\BELLY
37	4704209	1	BRKT\CHUTE\CNVYR\BELLY
38	4704619	opt.	PL\STOP\CONV\3.2M
39	4800003	12	BOLT\HEX\3/8X1
40	4800018	6	BOLT\HEX\1/2X1-1/4
41	4800034	2	BOLT\HEX\3/8X1-1/2
42	4800053	18	BOLT\CRG\3/8X1\NC
43	4800079	1	BOLT\HEX\5/8X2-1/2
44	4800098	10	BOLT\HEX\3/8X1-1/4\NC
45	4800101	2	BOLT\HEX\1/4X2-1/2
46	4800114	2	BOLT\HEX\1/2X2
47	4800152	1	BOLT\HEX\3/8X4-1/2

(CONTINUED ON NEXT PAGE)

DISCHARGE CONVEYOR - TRACK

ITEM	PART	QTY.	PART DESCRIPTION
48	4800173	2	BOLT\HEX\3/4X4-5/8
49	4800178	8	BOLT\HEX\1/2X1-3/4
50	4800203	4	PIN\COT\5/32X2
51	4800267	2	PIN\RLLD\1/4X1-3/4
52	4800546	2	BOLT\HEX\1X5\NC
53	4800580	2	BOLT\HEX\3/8X7
54	4800592	2	BOLT\HEX\1/2X3-1/4
55	4900001	16	NUT\HEX\1/2\NC
56	4900002	30	NUT\HEX\3/8\NC
57	4900005	4	NUT\HEX\5/8\NC
58	4900009	2	NUT\HEX\1/4\NC
59	4900012	2	NUT\TPLCK\5/8\NC
60	4900014	4	NUT\TPLCK\1/2\NC
61	4900023	1	NUT\TPLCK\3/8\NC
62	4900082	4	NUT\INSERT\3/8\0.027X.150GR
63	4900083	8	NUT\INSERT\3/8\LONG\0.15-0.312\(.418/CD)
64	4900110	2	NUT\FLG\SERR\5/8\NC
65	4900127	2	NUT\TPLCK\1\NC
66	4900139	2	NUT\TPLCK\3/4\GR8\NC
67	5000001	4	WASH\FLAT\3/8
68	5000002	6	WASH\FLAT\5/8
69	5000004	10	WASH\FLAT\1/2
70	5000005	2	WASH\FLAT\3/4
71	5000006	16	WASH\LOCK\1/2
72	5000014	2	WASH\FLAT\1
73	5000019	44	WASH\LOCK\3/8
74	5000040	2	WASH\BUSH;MACH\1
75	5700317	2	LAMP\HALOGEN\4X6\24V
76	5800619	2	JACK\RATCHET\20\CLOSED
77	6100048	2	SPRNG\249OT\13/16ID\1-5/16OD\2-3/8LOA
78	6200007	1	KEY\SQ\3/8X1-1/2
79	8900107	2	PIN\1\3-5/8
80	4100203	2	CYL\HYD\3X24\1-1/2ROD

3010 TRACK HYDRAULIC PARTS LIST (S.N. THRU 3129)

ITEM	PART	QTY.	PART DESCRIPTION
1	0900120	1	CLUTCH\HPTO\14\DD
1A	0900137		CLUTCH\HPTO\20\DD (S.N. 3127, 3128)
2	2001046	2	SEAL\O-RING
3	3800274	1	FTG\1-5/16MORX1-5/16MJIC\ST
4	3800277	9	FTG\1-1/16MORX1-1/16MJIC\ST
5	3800279	5	FTG\1-1/16MORX1-1/16MJIC\90
6	3800294	4	FTG\1-5/16MORX1-1/16MJIC\ST
7	3800323	1	FTG\1/2MPX2\NPL\LW
8	3800328	1	FTG\7/8MORX3/4MJIC\ADPT
9	3800360	1	FTG\1/2MP\PLUG\HEX
10	3800381	3	GAUGE\3000PSI\REAR STEM
11	3800427	1	FTG\1-1/4MPX1FP\BUSH
12	3800428	1	MNFLD\DBL;TEE\BLK\3/4FOR
13	3800453	14	FTG\3/4MORX9/16MJIC\90
14	3800462	1	FTG\1-1/16NUTFJICS
15	3800467	1	FTG\1-5/16MJICX1MP\ST\SOLID
16	3800488	2	FTG\1-5/8NUTFJICS
17	3800490	1	FTG\3/4MOR\PLUG\HEX
18	3800497	3	FTG\1-5/16FJICX1-5/16MJICX1-5/16MJIC\RUN;TEE
19	3800526	2	FTG\1-5/16MORX1-1/16MJIC\ST
20	3800527	10	FTG\7/8MORX1-1/16MJIC\ST
21	3800530	6	FTG\3/4MORX9/16MJIC\ST
22	3800532	4	FTG\1-1/16MORX1-1/16MJIC\45
23	3800535	3	FTG\7/8MORX1-1/16MJIC\90
24	3800537	2	FTG\3/4MORX3/4MJIC\90
25	3800541	1	FTG\1-1/16MJICX3/4MP\90
26	3800542	1	FTG\1-1/16FJICX9/16MJIC\ADPT
27	3800551	6	CLAMP\HOSE\1-1/4\4HOLES
28	3800552	6	CLAMP\HOSE\1-1/4\2HOLES
29	3800581	2	FTG\1-5/8MORX1-5/8MJIC\45
30	3800631	4	FTG\9/16MORX9/16MJIC\ST
31	3800668	3	FTG\1-1/16MJICX3/4MOR\ADP
32	3800669	1	FTG\MORXMJIC\45
33	3800670	3	FTG\1-1/16FJICX1-1/16MJICX1-1/16MJIC\RUN;TEE
34	3800696	1	FTG\7/8MORX3/4MJIC\90
35	3800723	1	FTG\1-1/16MJICX1-1/16MJICX1-1/16MJIC\TEE
36	3800725	2	FTG\1-1/16MJICX1-1/16MJIC\BULKHEAD
37	3800727	1	FTG\1/5/16MORX1-5/16FJIC\SW
38	3800733	2	FTG\1-5/16MJICX1-5/16MJIC\BULKHEAD
39	3800741	2	FTG\1-5/8MORX1-5/8MJIC\90
40	3800743	2	FTG\1-5/8FJICX1-1/16MJIC\ADPT
41	3800753	1	FTG\2-1/2MJICX2MP\ST\SOLID
42	3800755	2	CLMP\FLANGE\SPLIT\#61\16
43	3800756	3	CLMP\FLANGE\SPLIT\#61\32
44	3800757	12	FTG\9/16MORX9/16MJIC\90
45	3800758	3	FTG\9/16MJICX1/4FP\ADPT
46	3800760	1	FTG\9/16MORX9/16MJIC\45
47	3800762	2	FTG\7/16MORX9/16MJIC\90
48	3800763	1	FTG\7/16MORX9/16MJIC\ST
49	3800779	4	FTG\9/16MOR\PLUG\HEXHEAD
50	3800794	2	FTG\1-5/8MORX1-5/16MJIC\90
51	3800801	2	FTG\1-7/8MORX1-5/16MJIC\ST
52	3800807	1	FTG\7/8MORX1-5/16MJIC\ST
53	3800811	4	CLMP\FLANGE\SPLIT\#62\16
54	3800812	4	FTG\1-5/16MJICXSERIES62\ADPT
55	3800850	2	FTG\9/16MORX9/16MJIC\ORF-CHECK
56	3800806	1	FTG\1-5/16MJICX1-5/16FJIC\45
57	3800852	2	FTG\1-7/8MORX1-5/8MJIC\90

3010 TRACK HYDRAULIC PARTS LIST (S.N. THRU 3129)

ITEM	PART	QTY.	PART DESCRIPTION
58	3800853	2	FTG\2-1/2MORX2-1/2MJIC\90
59	3900010	1	MTR\HYD\24\2000\SAE;A
60	3900021	1	MTR\HYD\8\2000
61	4000193	1	VALVE\BALL\1/2\LW\BRS
62	4000207	1	VLV\HYD\TUB\BLK\MFLD
63	4000208	1	VLV\HYD\CNVYR\BLK\MFLD\24V
64	4000210	1	VLV\HYD\AUX\BLK\MFLD
65	4000219	2	RAD\HYD\23X19\1-1/16"-1
66	4000232	1	VALVE\RELIEF\65PSI\16PRT
67	4000249	2	VALVE\HYD\1-SPL\PRPNTL
68	4200035	1	MTR\HYD\1191031-003
69	4200074	1	PUMP\DRIVE\LH\B-B
69A	4200181		PUMP\DRIVE\LH\8-BOLT (S.N. 3127, 3128)
70	4200083	1	PUMP\HYD\25\20\2.33X1.78\LH
71	4200093	1	PUMP\DRIVE\RH\B-B
71A	4200182		PUMP\DRIVE\RH\8-BOLT (S.N. 3127, 3128)
72	4200094	2	PUMP\HYD\3.8\LOAD;SENSE
73	4200096	2	VALVE\BLOCK\DOUBLE\3GPM
74	4200097	1	PUMP\HYD\0.67\LH\GEAR
75	4200098	1	COVER\PUMP\APAD
76	4300054	1	VALVE\SOLENOID\24V\JEMM (FOR 4300069)
76A	4300074		VALVE\SOLENOID\24V\BRAND (FOR 4300072)
77	4300069	1	VALVE\SERVO\25GPM\24VDC\ THRU S/N 3089
77A	4300072		VALVE\SERVO\30GPM\24VOLT\BRAND S/N 3090 & UP
78	4400043	2	FILTER\HYDRAULIC\RETURN\IN-TANK ELEMENT 4400074
	4400115		SEAL\HEAD\FLTR\MP, seal for 4400043
79	4400067	2	FLTR\SCRN\2-1/2MORX1-7/8FOR\30GPM\ST30-100-RV3
80	4400068	2	FLTR\SCRN\3-3/8MORX2-1/2FOR\50GPM\100MESH
81	4400071	1	VENTW\LOCK\CAP\HYD
82	4400073	1	FLTR\ELMT\10MIC;ABS\1000
83	4703395	1	TANK\HYD\15G\HPTO\3010
84	4704057	2	HDLV
85	4704621	1	TANK\OIL\3010T
86	4800914	8	BOLT\FLG\SERR\3/8X1-1/4\NC
87	5700610	1	SWITCH\PRESS\FILT;BYPASS
88	7500615	1	GAUGE\LEVEL\10\W/THERMOMETER
89	7500876	1	TANK\HYD\15G\15-1/2X
90	7500987	1	MNT\PL\VALVE\MANIFOLD\PT
91	7500988	1	CAP\FILLER\BREATHER\HPTO
92	7500996	1	GAUGE\LEVEL\5\W/THERM
93	4100144	1	CYL\HYD\4X30\1-3/4 ROD\CLEVIS ENDS\O-RING PORTS
94	4100203	2	CYL\HYD\3X24\1-1/2ROD
95	HOSE_1_3010_TRACK	1	T PORT RH CONTROL VALVE TO RUN RIGHT FILTER TEE
96	HOSE_2_3010_TRACK	1	T PORT LH CONTROL VALVE TO BRANCH RIGHT FILTER TEE
97	HOSE_3_3010_TRACK	1	LOWER CENTER PORT LH CONTROL VALVE TO UPPER PORT TRACK MOTOR
98	HOSE_4_3010_TRACK	1	LOWER CENTER PORT RH CONTROL VALVE TO UPPER PORT TRACK MOTOR
99	HOSE_5_3010_TRACK	1	UPPER CENTER PORT LH CONTROL VALVE TO LOWER PORT TRACK MOTOR
100	HOSE_6_3010_TRACK	1	UPPER CENTER PORT RH CONTROL VALVE TO LOWER PORT TRACK MOTOR
101	HOSE_7_3010_TRACK	1	P PORT LH CONTROL VALVE TO LH PUMP

3010 TRACK HYDRAULIC PARTS LIST (S.N. THRU 3129)

ITEM	PART	QTY.	PART DESCRIPTION
102	3701057	1	HOSEHYD\1X180\1-5/16FJIC\1FLGX1BARB\HE\W\FRRL\CODE61 P PORT RH CONROL VALVE TO RH PUMP
103	HOSE_9_3010_TRACK	1	RH PUMP SUCTION PORT TO LH TANK PORT
104	HOSE_10_3010_TRACK	1	LH PUMP SUCTION PORT TO RH TANK PORT
105	HOSE_11_3010_TRACK	1	TP PORT LH CONTROL VALVE TO PORT 2 SHIFT VALVE
106	HOSE_12_3010_TRACK	1	PS PORT LH CONTROL VALVE TO PORT 3 SHIFT VALVE
107	HOSE_13_3010_TRACK	1	PORT 1 LH SHIFT VALVE TO LH TRACK MOTOR
108	HOSE_14_3010_TRACK	1	LH TRACK MOTOR CASE DRAIN TO LH TANK PORT
109	HOSE_15_3010_TRACK	1	TP PORT RH CONTROL VALVE TO PORT 2 SHIFT VALVE
110	HOSE_16_3010_TRACK	1	PS PORT RH CONTROL VALVE TO PORT 3 SHIFT VALVE
111	HOSE_17_3010_TRACK	1	PORT 1 RH SHIFT VALVE TO RH TRACK MOTOR
112	HOSE_18_3010_TRACK	1	RH TRACK MOTOR CASE DRAIN TO RH TANK PORT
113	HOSE_19_3010_TRACK	1	LH PUMP CASE TO LH TANK PORT
114	HOSE_20_3010_TRACK	1	RH PUMP CASE TO RH TANK PORT
115	HOSE_21_3010_TRACK	1	LS PORT LH CONTROL VALVE TO LS PORT LH PUMP
116	HOSE_22_3010_TRACK	1	LS PORT RH CONTROL VALVE TO LS PORT RH PUMP
117	HOSE_23_3010_TRACK	1	COOLER BULKHEAD TO LH FILTER
118	HOSE_24_3010_TRACK	1	TUB DRIVE CASE DRAIN TO LH TANK PORT
119	HOSE_25_3010_TRACK	1	CLUTCH GEAR PUMP TO FILTER
120	HOSE_26_3010_TRACK	1	CLUTCH PORT OF VALVE TO CLUTCH
121	HOSE_27_3010_TRACK	1	LUBE PORT OF VALVE TO CLUTCH
122	HOSE_28_3010_TRACK	1	FILTER TO PUMP PORT OF VALVE
123	HOSE_29_3010_TRACK	1	SUCTION PORT PUMP TO CLUTCH TANK
124	HOSE_30_3010_TRACK	1	CLUTCH CASE DRAIN TO CLUTCH TANK
125	HOSE_31_3010_TRACK	1	TO COOLER PORT OF VALVE TO BULKHEAD
126	HOSE_32_3010_TRACK	1	FROM COOLER PORT OF VALVE TO BULKHEAD
127	HOSE_33_3010_TRACK	1	UPPER PORT COOLER TO BULKHEAD
128	HOSE_34_3010_TRACK	1	LOWER PORT COOLER TO BULKHEAD
129	HOSE_35_3010_TRACK	1	TANK PORT OF VALVE TO CLUTCH TANK
130	HOSE_36_3010_TRACK	1	LOWER PORT BOTTOM COOLER TO BULKHEAD
131	HOSE_37_3010_TRACK	1	INSIDE PORT DISCHARGE TO OUTSIDE PORT BELLY ORBIT
132	HOSE_38_3010_TRACK	1	OUTSIDE PORT DISCHARGE TO LOWER 3/4 TUBE LINE
133	HOSE_39_3010_TRACK	1	INSIDE PORT BELLY ORBIT TO UPPER 3/4 TUBE LINE
134	HOSE_40_3010_TRACK	1	CASE DRAIN BELLY ORBIT TO TEE LOWER 3/4 TUBE LINE
135	HOSE_41_3010_TRACK	1	TOP 1/2 TUBE LINE TO TOP PORT DIVIDER BLOCK
136	HOSE_42_3010_TRACK	1	LOWER 1/2 TUBE LINE TO LOWER PORT DIVIDER BLOCK
137	HOSE_43_3010_TRACK	1	LH ROD END TO UPPER PORT DIVIDER BLOCK
138	HOSE_44_3010_TRACK	1	LH CAP END TO LOWER PORT DIVIDER BLOCK
139	HOSE_45_3010_TRACK	1	RH ROD END TO UPPER PORT DIVIDER BLOCK
140	HOSE_46_3010_TRACK	1	RH CAP END TO LOWER PORT DIVIDER BLOCK
141	HOSE_47_3010_TRACK	1	LOWER 3/4 TUBE LINE TO PORT 2 CONV VALVE
142	HOSE_48_3010_TRACK	1	UPPER 3/4 TUBE LINE TO PORT 1 CONV VALVE
143	HOSE_49_3010_TRACK	1	PORT 2 CONV VALVE TO AUX T PORT TEES
144	HOSE_50_3010_TRACK	1	PORT 1 CONV VALVE TO REAR PUMP PORT
145	HOSE_51_3010_TRACK	1	UPPER 1/2 TUBE LINE TO 2A AUX VALVE
146	HOSE_52_3010_TRACK	1	LOWER 1/2 TUBE LINE TO 2B AUX VALVE
147	HOSE_53_3010_TRACK	1	1B AUX VALVE TO CAP END TUB TILT CYL
148	HOSE_54_3010_TRACK	1	1A AUX VALVE TO ROD END TUB TILT CYL
149	HOSE_55_3010_TRACK	1	MP PORT AUX VALVE TO IN PORT JEMM VALVE
150	HOSE_56_3010_TRACK	1	T PORT AUX VALVE TEES TO BULKHEAD
151	HOSE_57_3010_TRACK	1	T PORT AUX VALVE TEES TO EX PORT JEMM VALVE
152	HOSE_58_3010_TRACK	1	T PORT AUX VALVE TEES TO T PORT TUB VALVE
153	HOSE_59_3010_TRACK	1	P PORT TUB VALVE TO CF PORT JEMM VALVE
154	HOSE_60_3010_TRACK	1	AUX VALVE TO FRONT PORT GEAR PUMP
155	HOSE_61_3010_TRACK	1	CONV VALVE GP PORT TO GAUGE
156	HOSE_62_3010_TRACK	1	TUB VALVE TO GP TO GAUGE

3010 TRACK HYDRAULIC PARTS LIST (S.N. THRU 3129)

ITEM	PART	QTY.	PART DESCRIPTION
157	HOSE_63_3010_TRACK	1	AUX GAUGE PORT TO GAUGE
158	HOSE_64_3010_TRACK	1	PORT MA TUB VALVE TO TUB MOTOR
159	HOSE_65_3010_TRACK	1	PORT MB TUB VALVE TO TUB MOTOR
160	HOSE_66_3010_TRACK	1	UPPER PORT LOWER COOLER TO BULKHEAD
161	HOSE_67_3010_TRACK	1	BULKHEAD TEE TO RELIEF VALVE
162	HOSE_68_3010_TRACK	1	TANK TO GEAR PUMP SUCTION PORT
163	HOSE_69_3010_TRACK	1	TANK TO GEAR PUMP SUCTION PORT
164	HPTO14DD_MANIFOLD_BODY	1	HPTO14DD MANIFOLD BODY
165	TUBE_1_1150001	1	1/2 INCH STEEL TUBE LINE
166	TUBE_2_1150001	1	1/2 INCH STEEL TUBE LINE
167	TUBE_7_1150001	1	3/4 INCH STEEL TUBE LINE
168	TUBE_8_1150001	1	3/4 INCH STEEL TUBE LINE
169	4704724		PAD\TANK\HYD\CLUTCH
251	4400059	1	FLTR\COMP\10MIC;ABS\ ELEMENT 4400073
	4400073		FLTR\ELMT\10MIC;ABS\1000 PSI\MEDIUM;PRESSURE

3010 TRACK HYDRAULIC PARTS LIST (S.N. 3130 & UP)

ITEM	PART	QTY.	PART DESCRIPTION
1	0900193	1	CLUTCH\FLEX\HPT014DF3
2	2001046	2	SEAL\O-RING
3	3800274	1	FTG\1-5/16MORX1-5/16MJIC\ST
4	3800277	9	FTG\1-1/16MORX1-1/16MJIC\ST
5	3800279	5	FTG\1-1/16MORX1-1/16MJIC\90
6	3800294	4	FTG\1-5/16MORX1-1/16MJIC\ST
7	3800323	1	FTG\1/2MPX2\NPL\LW
8	3800328	1	FTG\7/8MORX3/4MJIC\ADPT
9	3800360	1	FTG\1/2MP\PLUG\HEX
10	3800381	3	GAUGE\3000PSI\REAR STEM
11	3800427	1	FTG\1-1/4MPX1FP\BUSH
12	3800428	1	MNFLD\DBL;TEE\BLK\3/4FOR
13	3800453	14	FTG\3/4MORX9/16MJIC\90
14	3800462	1	FTG\1-1/16NUTFJICS
15	3800467	1	FTG\1-5/16MJICX1MP\ST\SOLID
16	3800488	2	FTG\1-5/8NUTFJICS
17	3800490	1	FTG\3/4MOR\PLUG\HEX
18	3800497	3	FTG\1-5/16FJICX1-5/16MJICX1-5/16MJIC\RUN;TEE
19	3800526	2	FTG\1-5/16MORX1-1/16MJIC\ST
20	3800527	10	FTG\7/8MORX1-1/16MJIC\ST
21	3800530	6	FTG\3/4MORX9/16MJIC\ST
22	3800532	4	FTG\1-1/16MORX1-1/16MJIC\45
23	3800535	3	FTG\7/8MORX1-1/16MJIC\90
24	3800537	2	FTG\3/4MORX3/4MJIC\90
25	3800541	1	FTG\1-1/16MJICX3/4MP\90
26	3800542	1	FTG\1-1/16FJICX9/16MJIC\ADPT
27	3800551	6	CLAMP\HOSE\1-1/4\4HOLES
28	3800552	6	CLAMP\HOSE\1-1/4\2HOLES
29	3800581	2	FTG\1-5/8MORX1-5/8MJIC\45
30	3800631	4	FTG\9/16MORX9/16MJIC\ST
31	3800668	3	FTG\1-1/16MJICX3/4MOR\ADP
32	3800669	1	FTG\MORXMJIC\45
33	3800670	3	FTG\1-1/16FJICX1-1/16MJICX1-1/16MJIC\RUN;TEE
34	3800696	1	FTG\7/8MORX3/4MJIC\90
35	3800723	1	FTG\1-1/16MJICX1-1/16MJICX1-1/16MJIC\TEE
36	3800725	2	FTG\1-1/16MJICX1-1/16MJC\BULKHEAD
37	3800727	1	FTG\1/5/16MORX1-5/16FJIC\SW
38	3800733	2	FTG\1-5/16MJICX1-5/16MJC\BULKHEAD
39	3800741	2	FTG\1-5/8MORX1-5/8MJIC\90
40	3800743	2	FTG\1-5/8FJICX1-1/16MJIC\ADPT
41	3800753	1	FTG\2-1/2MJICX2MP\ST\SOLID
42	3800755	2	CLMP\FLANGE\SPLIT\#61\1-16
43	3800756	3	CLMP\FLANGE\SPLIT\#61\1-32
44	3800757	12	FTG\9/16MORX9/16MJIC\90
45	3800758	3	FTG\9/16MJICX1/4FP\ADPT
46	3800760	1	FTG\9/16MORX9/16MJIC\45
47	3800762	2	FTG\7/16MORX9/16MJIC\90
48	3800763	1	FTG\7/16MORX9/16MJIC\ST
49	3800779	4	FTG\9/16MOR\PLUG\HEXHEAD
50	3800794	2	FTG\1-5/8MORX1-5/16MJIC\90
51	3800801	2	FTG\1-7/8MORX1-5/16MJIC\ST
52	3800807	1	FTG\7/8MORX1-5/16MJIC\ST
53	3800811	4	CLMP\FLANGE\SPLIT\#62\1-16
54	3800812	4	FTG\1-5/16MJICXSERIES62\ADPT
55	3800850	2	FTG\9/16MORX9/16MJIC\ORF-CHECK
56	3800806	1	FTG\1-5/16MJICX1-5/16FJIC\45
57	3800852	2	FTG\1-7/8MORX1-5/8MJIC\90
58	3800853	2	FTG\2-1/2MORX2-1/2MJIC\90
59	3900010	1	MTR\HYD\24\2000\SAE;A
60	3900021	1	MTR\HYD\8\2000
61	4000193	1	VALVE\BALL\1/2\LW\BRS
62	4000207	1	VLV\HYD\TUB\BLK\MFLD
63	4000208	1	VLV\HYD\CNVYR\BLK\MFLD\24V
64	4000210	1	VLV\HYD\AUX\BLK\MFLD
65	4000219	2	RAD\HYD\23X19\1-1/16"-1
66	4000232	1	VALVE\RELIEF\65PSI\16PRT

3010 TRACK HYDRAULIC PARTS LIST (S.N. 3130 & UP)

ITEM	PART	QTY.	PART DESCRIPTION
67	4000249	2	VALVE\HYD\1-SPL\PRPNTL
68	4200035	1	MTR\HYD\1191031-003
69	4200074	1	PUMP\DRIVE\LH\B-B
70	4200083	1	PUMP\HYD\25\20\2.33X1.78\LH
72	4200190	2	PUMP\HYD\3.8\LOAD;SENSE\RH
73	4200096	2	VALVE\BLOCK\DOUBLE\3GPM
74	4200191	1	PUMP\HYD\0.67\RH\GEAR
75	4200098	1	COVER\PUMP\APAD
76	4300054	1	VALVE\SOLENOID\24V\JEMM (FOR 4300069)
76A	4300074	1	VALVE\SOLENOID\24V\BRAND (FOR 4300072)
77	4300069	1	VALVE\SERVO\25GPM\24VDC\ THRU S/N 3089
77A	4300072	1	VALVE\SERVO\30GPM\24VOLT\BRAND S/N 3090 & UP
78	4400043	2	FILTER\HYDRAULIC\RETURN\IN-TANK ELEMENT 4400074
	4400115		SEAL\HEAD\FLTR\MP, seal for 4400043
79	4400067	2	FLTR\SCRN\2-1\2MORX1-7\8FOR\30GPM\ST30-100-RV3
80	4400068	2	FLTR\SCRN\3-3\8MORX2-1\2FOR\50GPM\100MESH
81	4400071	1	VENT\W\LOCK\CAP\HYD
82	4400073	1	FLTR\ELMT\10MIC;ABS\1000
83	4703395	1	TANK\HYD\15G\HPTO\3010
84	4704057	2	HDL\V
85	4705307	1	TANK\OIL\3010
86	4800914	8	BOLT\FLG\SERR\3\8X1-1\4\NC
87	5700610	1	SWITCH\PRESS\FILT;BYPASS
88	7500615	1	GAUGE\LEVEL\10\W/THERMOMETER
89	7500876	1	TANK\HYD\15G\15-1\2X
90	7500987	1	MNT\PL\VALVE\MANIFOLD\PT
91	7500988	1	CAP\FILLER\BREATH\HPTO
92	7500996	1	GAUGE\LEVEL\5\W/THERM
93	4100144	1	CYL\HYD\4X30\1-3\4 ROD\CLEVIS ENDS\O-RING PORTS
94	4100203	2	CYL\HYD\3X24\1-1\2ROD
95	3701529	1	HOSE\HYD\1X198\1-5\16FJICX1-5\16FJIC\90 T PORT RH CONTROL VALVE TO RUN RIGHT FILTER TEE
96	3701530	1	HOSE\HYD\1X198\1-5\16FJICX1-5\16FJIC T PORT LH CONTROL VALVE TO BRANCH RIGHT FILTER TEE
97	3701531	1	HOSE\HYD\3\4X200\1-1\16FJICX1-1\16FJIC LOWER CENTER PORT LH CONTROL VALVE TO UPPER PORT TRACK MOTOR
98	3701531	1	HOSE\HYD\3\4X200\1-1\16FJICX1-1\16FJIC LOWER CENTER PORT RH CONTROL VALVE TO UPPER PORT TRACK MOTOR
99	3701531	1	HOSE\HYD\3\4X200\1-1\16FJICX1-1\16FJIC UPPER CENTER PORT LH CONTROL VALVE TO LOWER PORT TRACK MOTOR
100	3701531	1	HOSE\HYD\3\4X200\1-1\16FJICX1-1\16FJIC UPPER CENTER PORT RH CONTROL VALVE TO LOWER PORT TRACK MOTOR
101	3701057	1	HOSE\HYD\1X180\1-5\16FJIC\1FLGX1BARB\HE\W\FRRL\CODE61 P PORT LH CONTROL VALVE TO LH PUMP
102	3701057	1	HOSE\HYD\1X180\1-5\16FJIC\1FLGX1BARB\HE\W\FRRL\CODE61 P PORT RH CONTROL VALVE TO RH PUMP
103	3701506	1	HOSE\HYD\2X32\2-1\2FJIC\2-1\2FLGX2-1\2BARB\HE\W\FRRL\CODE61\90 RH PUMP SUCTION PORT TO LH TANK PORT
104	3701506	1	HOSE\HYD\2X32\2-1\2FJIC\2-1\2FLGX2-1\2BARB\HE\W\FRRL\CODE61\90 LH PUMP SUCTION PORT TO RH TANK PORT
105	3700913	1	HOSE\HYD\3\8X34\9\16FJICS TP PORT LH CONTROL VALVE TO PORT 2 SHIFT VALVE
106	3701532	1	HOSE\HYD\3\8X38\9\16FJICX9\16FJIC90 PS PORT LH CONTROL VALVE TO PORT 3 SHIFT VALVE

3010 TRACK HYDRAULIC PARTS LIST (S.N. 3130 & UP)

ITEM	PART	QTY.	PART DESCRIPTION
107	3701533	1	HOSE\HYD\3\8X183\9\16FJICS PORT 1 LH SHIFT VALVE TO LH TRACK MOTOR
108	3701233	1	HOSE\HYD\3\8X140\9\16FJIC LH TRACK MOTOR CASE DRAIN TO LH TANK PORT
109	3700913	1	HOSE\HYD\3\8X34\9\16FJICS TP PORT RH CONTROL VALVE TO PORT 2 SHIFT VALVE
110	3701532	1	HOSE\HYD\3\8X38\9\16FJCX9\16FJC90 PS PORT RH CONTROL VALVE TO PORT 3 SHIFT VALVE
111	3701534	1	HOSE\HYD\3\8X176\9\16FJICS PORT 1 RH SHIFT VALVE TO RH TRACK MOTOR
112	3701535	1	HOSE\HYD\3\8X146\9\16FJIC RH TRACK MOTOR CASE DRAIN TO RH TANK PORT
113	3701536	1	HOSE\HYD\1\2X35\3\4FJICS LH PUMP CASE TO LH TANK PORT
114	3701011	1	HOSE\HYD\1\2X31\3\4FJICSX3\4FJIC90 RH PUMP CASE TO RH TANK PORT
115	3701537	1	HOSE\HYD\3\8X182\9\16FJCX9\16FJC90 LS PORT LH CONTROL VALVE TO LS PORT LH PUMP
116	3701537	1	HOSE\HYD\3\8X182\9\16FJCX9\16FJC90 LS PORT RH CONTROL VALVE TO LS PORT RH PUMP
117	3701538	1	HOSE\HYD\1X158\1-5\16FJICX1-5\16FJIC\90 COOLER BULKHEAD TO LH FILTER
118	3701539	1	HOSE\HYD\3\8X85\9\16FJIC TUB DRIVE CASE DRAIN TO LH TANK PORT
119	3700910	1	HOSE\HYD\3\4X23\1-1\16FJCX1-1\16FJC CLUTCH GEAR PUMP TO FILTER
120	3701515	1	HOSE\HYD\3\4X90\1-1\16FJC90X1-1\16FJC CLUTCH PORT OF VALVE TO CLUTCH
121	3701516	1	HOSE\HYD\3\4X63\1-1\16FJC90X1-1\16FJC LUBE PORT OF VALVE TO CLUTCH
122	3701523	1	HOSE\HYD\3\4X23.5\1-1\16FJCX1-1\16FJC FILTER TO PUMP PORT OF VALVE
123	3701526	1	HOSE\HYD\1X63\1-5\16FJICX1-5\16FJIC\45 SUCTION PORT PUMP TO CLUTCH TANK
124	3701186	1	HOSE\HYD\2X47\2-1\2FJIC\2-1\2FLGX2-1\2BARB\HE\WFR CLUTCH CASE DRAIN TO CLUTCH TANK
125	3701527	1	HOSE\HYD\3\4X164\1-1\16FJICX1-1\16FJIC TO COOLER PORT OF VALVE TO BULKHEAD
126	3701527	1	HOSE\HYD\3\4X164\1-1\16FJICX1-1\16FJIC FROM COOLER PORT OF VALVE TO BULKHEAD
127	3701519	1	HOSE\HYD\3\4X55\1-1\16FJICSX1-1\16FJIC90 UPPER PORT COOLER TO BULKHEAD
128	3701520	1	HOSE\HYD\3\4X103\1-1\16FJICSX1-1\16FJIC90 LOWER PORT COOLER TO BULKHEAD

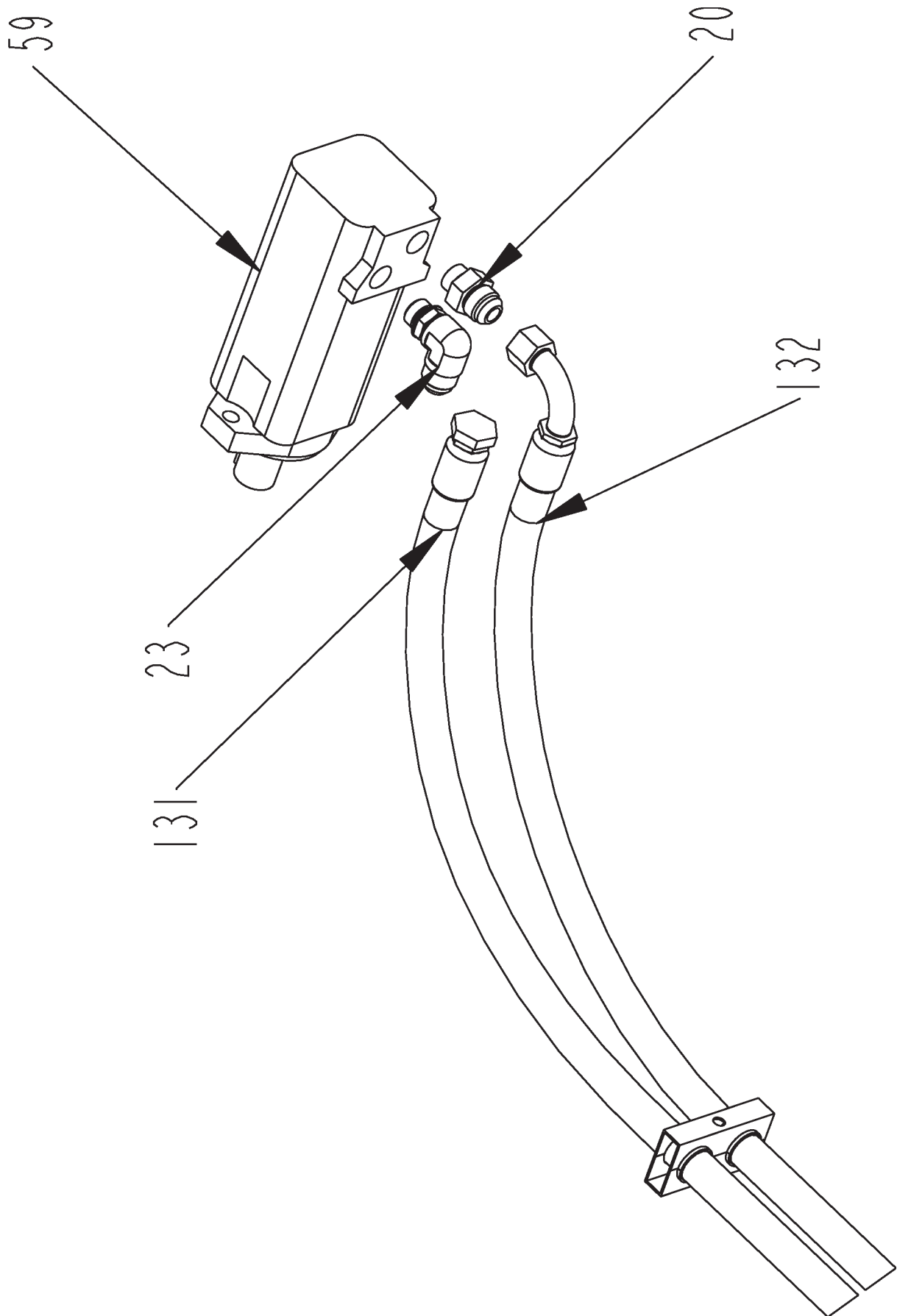
3010 TRACK HYDRAULIC PARTS LIST (S.N. 3130 & UP)

ITEM	PART	QTY.	PART DESCRIPTION
129	3701419	1	HOSE\HYD\3\4X18\1-1\16FJICX1-1\16FJIC\90 TANK PORT OF VALVE TO CLUTCH TANK
130	3701540	1	HOSE\HYD\1X89\1-5\16FJICX1-5\16FJIC\90 LOWER PORT BOTTOM COOLER TO BULKHEAD
131	3701558	1	HOSE\HYD\3\4X147\1-1\16FJICX1-1\16FJIC INSIDE PORT DISCHARGE TO OUTSIDE PORT BELLY ORBIT
132	3701559	1	HOSE\HYD\3\4X180\1-1\16FJIC90X1-1\16FJIC OUTSIDE PORT DISCHARGE TO LOWER 3/4 TUBE LINE
133	3700899	1	HOSE\HYD\3\4X46\1-1\16MJICX1-1\16FJIC\90 INSIDE PORT BELLY ORBIT TO UPPER 3/4 TUBE LINE
134	3700898	1	HOSE\HYD\3\8X36\9\16FJICS CASE DRAIN BELLY ORBIT TO TEE LOWER 3/4 TUBE LINE
135	3700766	1	HOSE\HYD\3\8X78\3\4MJCX9\16FJIC TOP 1/2 TUBE LINE TO TOP PORT DIVIDER BLOCK
136	3700766	1	HOSE\HYD\3\8X78\3\4MJCX9\16FJIC LOWER 1/2 TUBE LINE TO LOWER PORT DIVIDER BLOCK
137	3700765	1	HOSE\HYD\3\8X62\9\16FJICS LH ROD END TO UPPER PORT DIVIDER BLOCK
138	3700895	1	HOSE\HYD\3\8X30\9\16FJICS LH CAP END TO LOWER PORT DIVIDER BLOCK
139	3700765	1	HOSE\HYD\3\8X62\9\16FJICS RH ROD END TO UPPER PORT DIVIDER BLOCK
140	3700895	1	HOSE\HYD\3\8X30\9\16FJICS RH CAP END TO LOWER PORT DIVIDER BLOCK
141	3700904	1	HOSE\HYD\3\4X24\1-1\16MJCX1-1\16FJIC> LOWER 3/4 TUBE LINE TO PORT 2 CONV VALVE
142	3700904	1	HOSE\HYD\3\4X24\1-1\16MJCX1-1\16FJIC> UPPER 3/4 TUBE LINE TO PORT 1 CONV VALVE
143	3700912	1	HOSE\HYD\3\4X32\1-1\16FJICX1-1\16FJIC PORT 2 CONV VALVE TO AUX T PORT TEES
144	3700893	1	HOSE\HYD\3\4X148\1-1\16FJX1-1\16FJIC45DEG PORT 1 CONV VALVE TO REAR PUMP PORT
145	3700767	1	HOSE\HYD\3\8X30 UPPER 1/2 TUBE LINE TO 2A AUX VALVE
146	3700902	1	HYD\HOSE\3\8X31\3\4MJICX9\16FJIC> LOWER 1/2 TUBE LINE TO 2B AUX VALVE
147	3701176	1	HOSE\HYD\3\8X55\3\4MJCX9\16FJIC 1B AUX VALVE TO CAP END TUB TILT CYL
148	3701176	1	HOSE\HYD\3\8X55\3\4MJCX9\16FJIC 1A AUX VALVE TO ROD END TUB TILT CYL
149	3700913	1	HOSE\HYD\3\8X34\9\16FJICS MP PORT AUX VALVE TO IN PORT JEMM VALVE
150	3701541	1	HOSE\HYD\1X144\1-1\16FJICX1-5\16FJIC\45 T PORT AUX VALVE TEES TO BULKHEAD

3010 TRACK HYDRAULIC PARTS LIST (S.N. 3130 & UP)

ITEM	PART	QTY.	PART DESCRIPTION
151	3700908	1	HOSE\HYD\3/4X21\1-1/16FJCX1-1/16FJC T PORT AUX VALVE TEES TO EX PORT JEMM VALVE
152	3700909	1	HOSE\HYD\3/4X21\1-1/16FJC90X1-1/16FJC T PORT AUX VALVE TEES TO T PORT TUB VALVE
153	3700910	1	HOSE\HYD\3/4X23\1-1/16FJCX1-1/16FJC P PORT TUB VALVE TO CF PORT JEMM VALVE
154	3700701	1	HOSE\HYD\3/4X117\1-1/16FJ AUX VALVE TO FRONT PORT GEAR PUMP
155	3700913	1	HOSE\HYD\3/8X34\9/16FJICS CONV VALVE GP PORT TO GAUGE
156	3700914	1	HOSE\HYD\3/8X42\9/16FJICS TUB VALVE TO GP TO GAUGE
157	3700915	1	HOSE\HYD\3/8X22\9/16FJIC> AUX GAUGE PORT TO GAUGE
158	3700691	1	HOSE\HYD\3/4X89\1-1/16FJC PORT MA TUB VALVE TO TUB MOTOR
159	3700691	1	HOSE\HYD\3/4X89\1-1/16FJC PORT MB TUB VALVE TO TUB MOTOR
160	3700919	1	HOSE\HYD\1X32> UPPER PORT LOWER COOLER TO BULKHEAD
161	3701543	1	HOSE\HYD\1X31\1-5/16FJICX1-5/16FJIC BULKHEAD TEE TO RELIEF VALVE
162	3701544	1	HOSE\HYD\1-1/4X92\1-5/8FJICX1/5/8FJIC\90 TANK TO GEAR PUMP SUCTION PORT
163	3701545	1	HOSE\HYD\1-1/4X74\1-5/8FJICX1/5/8FJIC\90 TANK TO GEAR PUMP SUCTION PORT
164	HPTO14DD_MANIFOLD_BODY	1	HPTO14DD MANIFOLD BODY
165	3700764	1	TUBE\STL\1/2X78\FJCXFJC
166	3700764	1	TUBE\STL\1/2X78\FJCXFJC
167	3700685	1	TUBE\STL\3/4X78\FJCXFJC
168	3700685	1	TUBE\STL\3/4X78\FJCXFJC
169	4704724	2	PAD\TANK\HYD\CLUTCH
251	4400059	1	FLTR\COMP\10MIC;ABS\ ELEMENT 4400073
	4400073		FLTR\ELMT\10MIC;ABS\1000 PSIMEDIUM;PRESSURE
252	3701507		HOSE\HYD\2X15.5\2-1/2FJICX2-1/2FJIC HYD. TANK TO BALL VALVE
253	3701507		HOSE\HYD\2X15.5\2-1/2FJICX2-1/2FJIC HYD. TANK TO BALL VALVE
254	3800724	2	VALVE\BALL\2\2-1/2FOR\>
255	3800752	4	FTG\2-1/2MORX2-1/2MJIC\ST
256	3800740	2	VALVE\BALL\1-1/2\1-7/8FOR
257	3800808	2	FTG\1-7/8MORX1-5/8MJIC\ST
258	3800928	2	FTG\1-7/8MORX1-7/8MOR\90

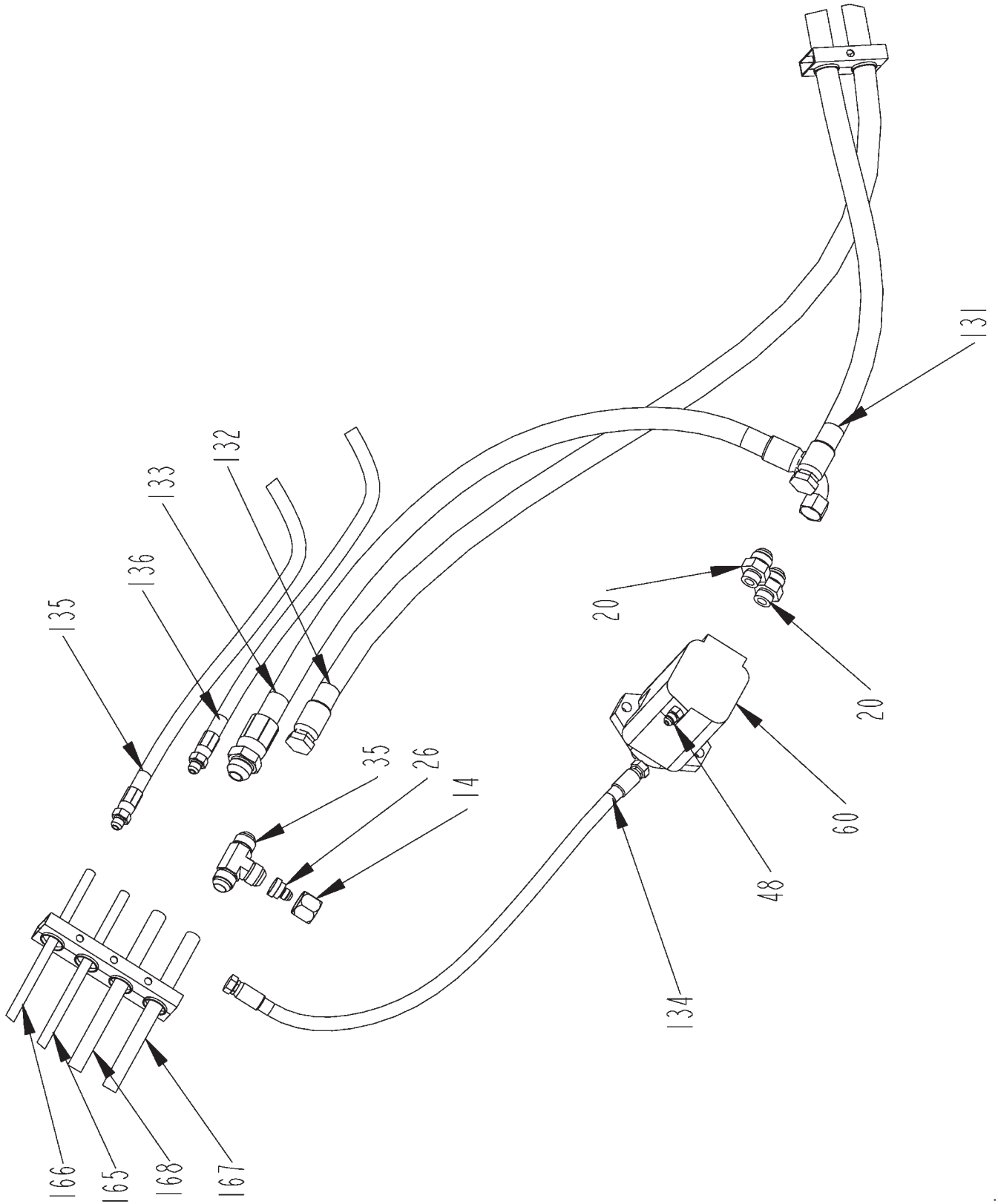
DISCHARGE ORBIT MOTOR 3010 TRACK (SHORT CONVEYOR OPTION)



DISCHARGE ORBIT MOTOR 3010 TRACK (SHORT CONVEYOR OPTION)

ITEM	PART	QTY.	PART DESCRIPTION
20	3800527	10	FTG\7/8MORX1-1/16MJIC\ST
23	3800535	3	FTG\7/8MORX1-1/16MJIC\90
59	3900010	1	MTR\HYD\24\2000\SAE;A
131	3701559	1	HOSE\HYD\3/4X180\1-1/16FJC90X1-1/16FJC INSIDE PORT DISCHARGE TO OUTSIDE PORT BELLY ORBIT
132	3701558	1	HOSE\HYD\3/4X147\1-1/16FJCX1-1/16FJC OUTSIDE PORT DISCHARGE TO LOWER 3/4 TUBE LINE

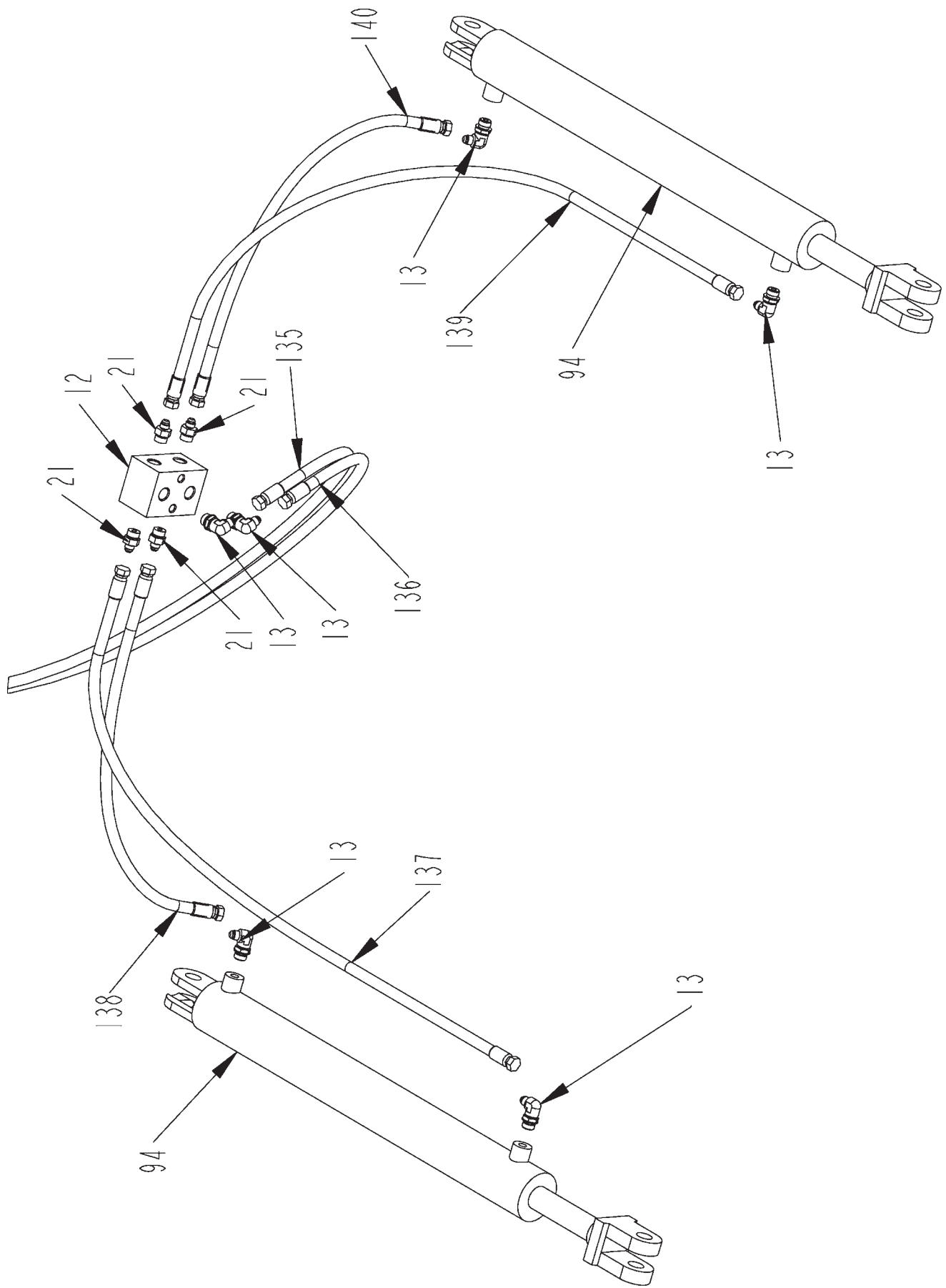
BELLY ORBIT MOTOR 3010 TRACK (SHORT CONVEYOR OPTION)



BELLY ORBIT MOTOR 3010 TRACK (SHORT CONVEYOR OPTION)

ITEM	PART	QTY.	PART DESCRIPTION
14	3800462	1	FTG\1-1/16NUTFJICS
20	3800527	10	FTG\7/8MORX1-1/16MJIC\ST
26	3800542	1	FTG\1-1/16FJICX9/16MJIC\ADPT
35	3800723	1	FTG\1-1/16MJICX1-1/16MJICX1-1/16MJIC\TEE
48	3800763	1	FTG\7/16MORX9/16MJIC\ST
60	3900021	1	MTR\HYD\8\2000
131	3701558	1	HOSE\HYD\3/4X147\1-1/16FJICX1-1/16FJC INSIDE PORT DISCHARGE TO OUTSIDE PORT BELLY ORBIT
132	3701559	1	HOSE\HYD\3/4X180\1-1/16FJC90X1-1/16FJC OUTSIDE PORT DISCHARGE TO LOWER 3/4 TUBE LINE
133	3700899	1	HOSE\HYD\3/4X46\1-1/16MJICX1-1/16FJIC\90 INSIDE PORT BELLY ORBIT TO UPPER 3/4 TUBE LINE
134	3700898	1	HOSE\HYD\3/8X36\9/16FJICS CASE DRAIN BELLY ORBIT TO TEE LOWER 3/4 TUBE LINE
135	3700766	1	HOSE\HYD\3/8X78\3/4MJICX9/16FJC TOP 1/2 TUBE LINE TO TOP PORT DIVIDER BLOCK
136	3700766	1	HOSE\HYD\3/8X78\3/4MJICX9/16FJC LOWER 1/2 TUBE LINE TO LOWER PORT DIVIDER BLOCK
165	3700764	1	TUBE\STL\1/2X78\FJICXFJC
166	3700764	1	TUBE\STL\1/2X78\FJICXFJC
167	3700685	1	TUBE\STL\3/4X78\FJICXFJC
168	3700685	1	TUBE\STL\3/4X78\FJICXFJC

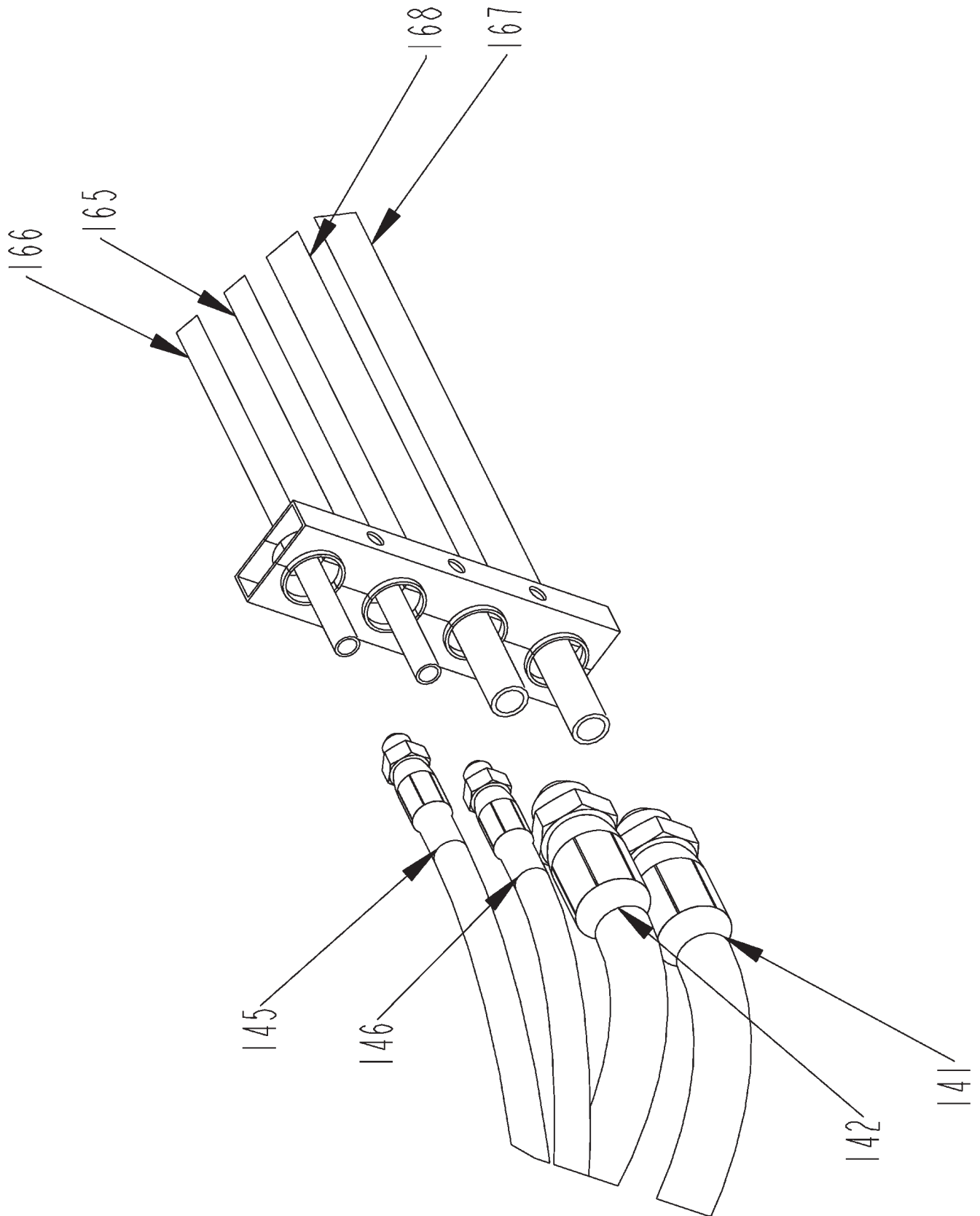
CONVEYOR LIFT CYLINDER 3010 TRACK (SHORT CONVEYOR OPTION)



CONVEYOR LIFT CYLINDER 3010 TRACK (SHORT CONVEYOR OPTION)

ITEM	PART	QTY.	PART DESCRIPTION
12	3800428	1	MNFLD\DBL;TEE\BLK\3/4FOR
13	3800453	14	FTG\3/4MORX9/16MJIC\90
21	3800530	6	FTG\3/4MORX9/16MJIC\ST
94	4100203	2	CYL\HYD\3X24\1-1/2ROD
135	3700766	1	HOSE\HYD\3/8X78\3/4MJCX9/16FJC TOP 1/2 TUBE LINE TO TOP PORT DIVIDER BLOCK
136	3700766	1	HOSE\HYD\3/8X78\3/4MJCX9/16FJC LOWER 1/2 TUBE LINE TO LOWER PORT DIVIDER BLOCK
137	3700765	1	HOSE\HYD\3/8X62\9/16FJICS LH ROD END TO UPPER PORT DIVIDER BLOCK
138	3700895	1	HOSE\HYD\3/8X30\9/16FJICS LH CAP END TO LOWER PORT DIVIDER BLOCK
139	3700765	1	HOSE\HYD\3/8X62\9/16FJICS RH ROD END TO UPPER PORT DIVIDER BLOCK
140	3700895	1	HOSE\HYD\3/8X30\9/16FJICS RH CAP END TO LOWER PORT DIVIDER BLOCK

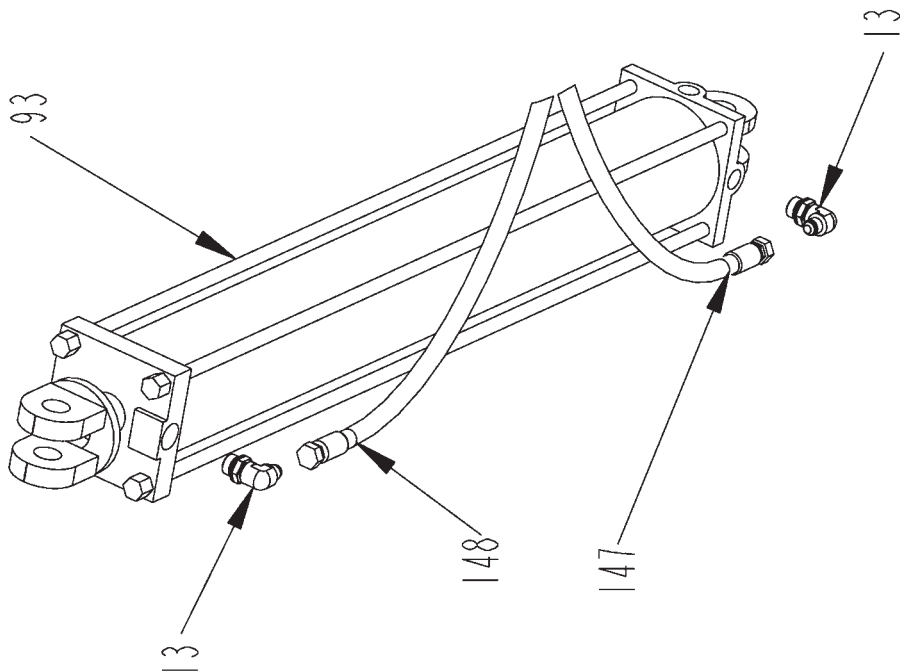
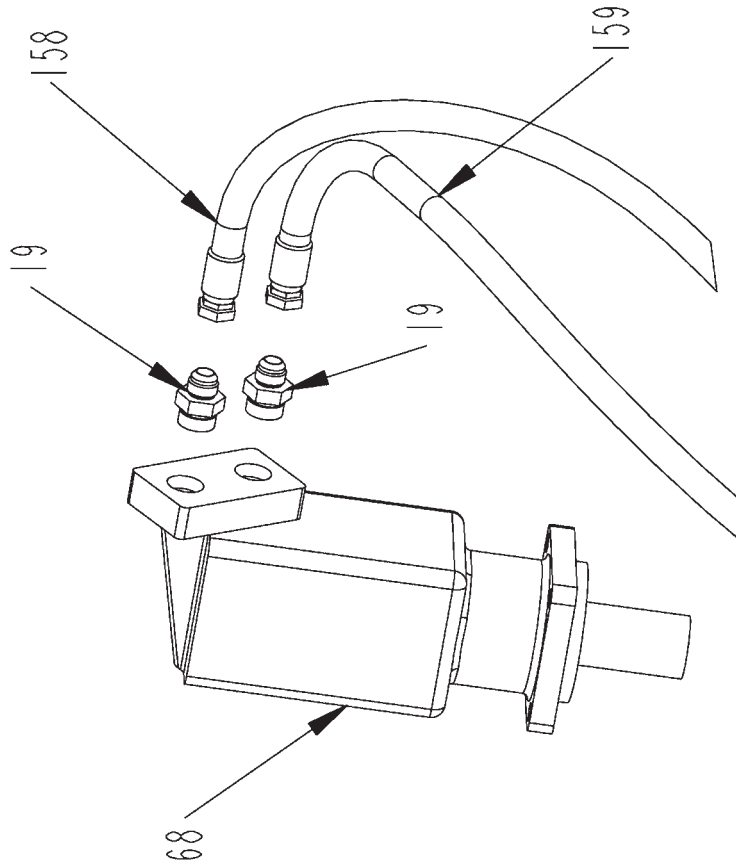
TUBE LINES FRONT 3010 TRACK



TUBE LINES FRONT 3010 TRACK

ITEM	PART	QTY.	PART DESCRIPTION
141	3700904	1	HOSE\HYD\3/4X24\1-1/16MJCX1-1/16FJIC> LOWER 3/4 TUBE LINE TO PORT 2 CONV VALVE
142	3700904	1	HOSE\HYD\3/4X24\1-1/16MJCX1-1/16FJIC> UPPER 3/4 TUBE LINE TO PORT 1 CONV VALVE
145	3700767	1	HOSE\HYD\3/8X30\3/4MJCX9/16FJC UPPER 1/2 TUBE LINE TO 2A AUX VALVE
146	3700902	1	HOSE\HYD\3/8X30\3/4MJCX9/16FJC LOWER 1/2 TUBE LINE TO 2B AUX VALVE
165	3700764	1	TUBE\STL\1/2X78\FJCFJC
166	3700764	1	TUBE\STL\1/2X78\FJCFJC
167	3700685	1	TUBE\STL\3/4X78\FJCFJC
168	3700685	1	TUBE\STL\3/4X78\FJCFJC

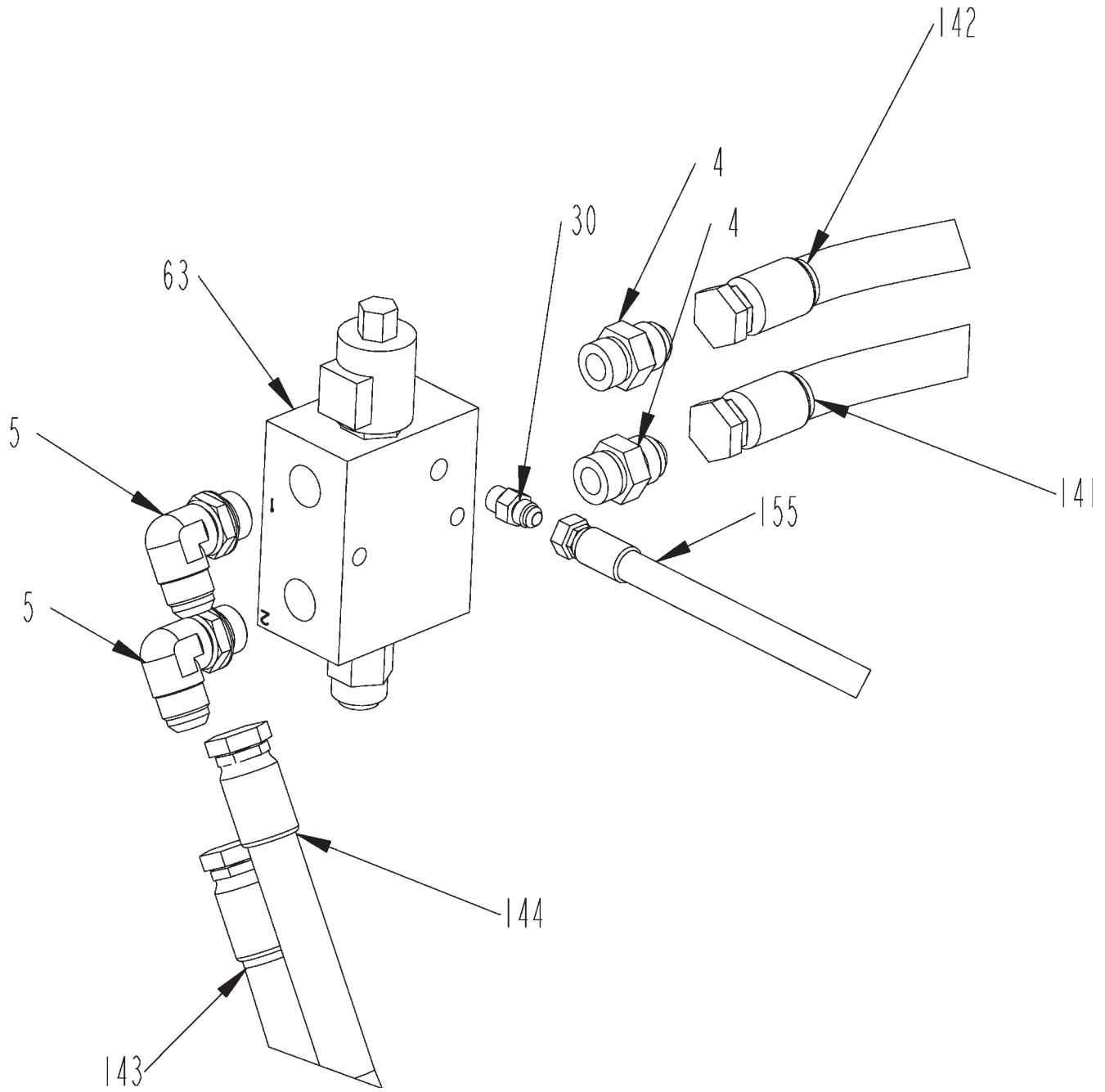
TUB DRIVE MOTOR/TILT CYLINDER 3010 TRACK



TUB DRIVE MOTOR/TILT CYLINDER 3010 TRACK

ITEM	PART	QTY.	PART DESCRIPTION
13	3800453	14	FTG\3/4MORX9/16MJIC\90
19	3800526	2	FTG\1-5/16MORX1-1/16MJIC\ST
68	4200035	1	MTR\HYD\1191031-003
93	4100144	1	CYL\HYD\4X30\1-3/4 ROD\CLEVIS ENDS\O-RING PORTS
147	3701176	1	HOSE\HYD\3/8X55\3/4MJCX9/16FJC 1B AUX VALVE TO CAP END TUB TILT CYL
148	3701176	1	HOSE\HYD\3/8X55\3/4MJCX9/16FJC 1A AUX VALVE TO ROD END TUB TILT CYL
158	3700691	1	HOSE\HYD\3/4X89\1-1/16FJCX1-1/16FJC PORT MA TUB VALVE TO TUB MOTOR
159	3700691	1	HOSE\HYD\3/4X89\1-1/16FJCX1-1/16FJC PORT MB TUB VALVE TO TUB MOTOR

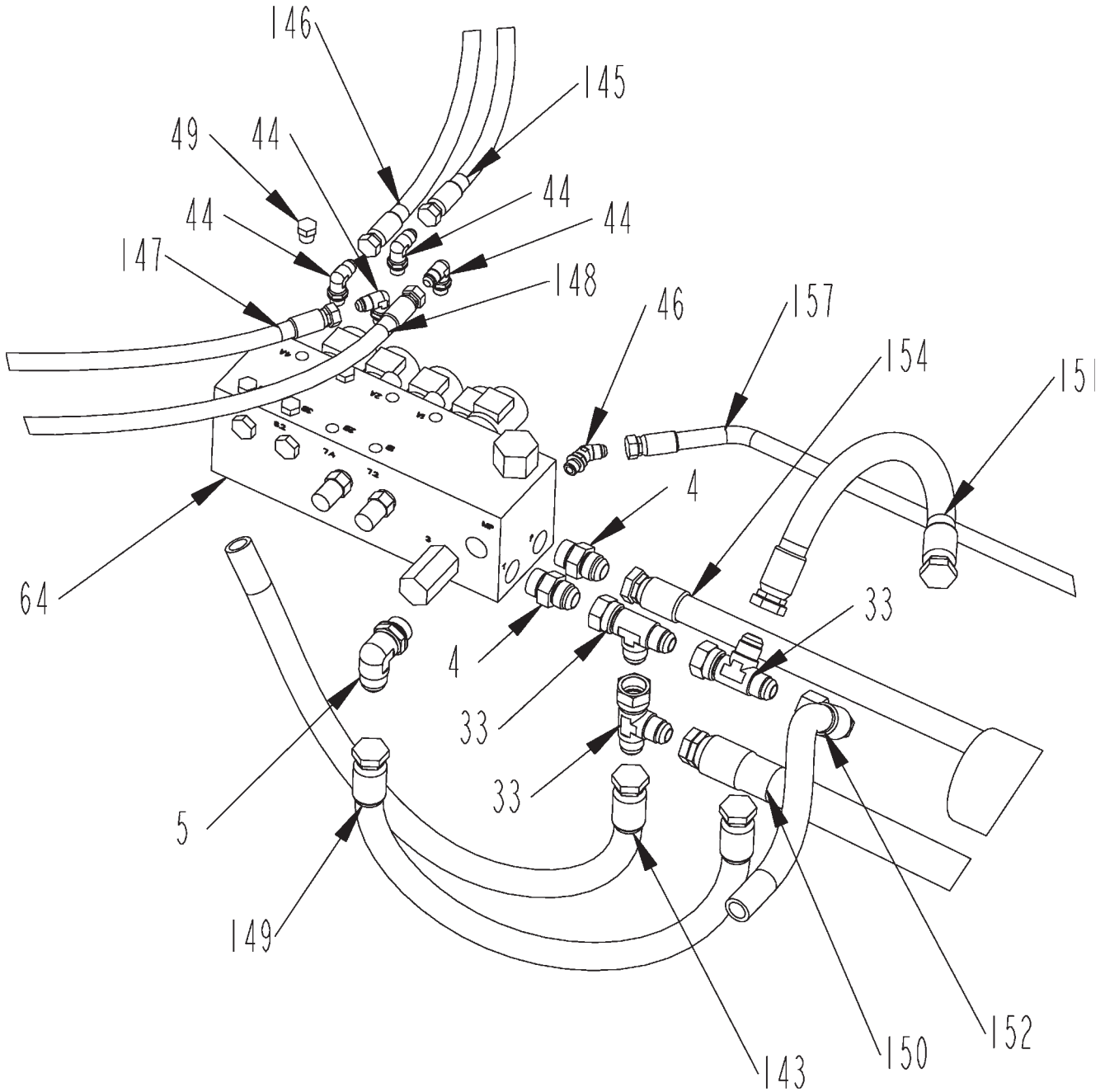
CONVEYOR VALVE 3010 TRACK



CONVEYOR VALVE 3010 TRACK

ITEM	PART	QTY.	PART DESCRIPTION
FOR SN UP TO 3129			
4	3800277	9	FTG\1-1/16MORX1-1/16MJIC\ST
5	3800279	5	FTG\1-1/16MORX1-1/16MJIC\90
30	3800631	4	FTG\9/16MORX9/16MJIC\ST
63	4000208	1	VLV\HYD\CNVYR\BLK\MFLD\24V
141	3700904	1	HOSE\HYD\3/4X24\1-1/16MJCX1-1/16FJIC> LOWER 3/4 TUBE LINE TO PORT 2 CONV VALVE
142	3700904	1	HOSE\HYD\3/4X24\1-1/16MJCX1-1/16FJIC> UPPER 3/4 TUBE LINE TO PORT 1 CONV VALVE
143	3700912	1	HOSE\HYD\3/4X32\1-1/16FJCX1-1/16FJC PORT 2 CONV VALVE TO AUX T PORT TEES
144	3700893	1	HOSE\HYD\3/4X148\1-1/16FJX1-1/16FJC45DEG PORT 1 CONV VALVE TO REAR PUMP PORT
155	3701542	1	HOSE\HYD\3/8X204\9/16FJICS CONV VALVE GP PORT TO GAUGE
FOR SN 3130 AND UP			
4	3800277	9	FTG\1-1/16MORX1-1/16MJIC\ST
5	3800279	5	FTG\1-1/16MORX1-1/16MJIC\90
30	3800631	4	FTG\9/16MORX9/16MJIC\ST
63	4000208	1	VLV\HYD\CNVYR\BLK\MFLD\24V
141	3700904	1	HOSE\HYD\3/4X24\1-1/16MJCX1-1/16FJIC> LOWER 3/4 TUBE LINE TO PORT 2 CONV VALVE
142	3700904	1	HOSE\HYD\3/4X24\1-1/16MJCX1-1/16FJIC> UPPER 3/4 TUBE LINE TO PORT 1 CONV VALVE
143	3700912	1	HOSE\HYD\3/4X32\1-1/16FJCX1-1/16FJC PORT 2 CONV VALVE TO AUX T PORT TEES
144	3700893	1	HOSE\HYD\3/4X148\1-1/16FJX1-1/16FJC45DEG PORT 1 CONV VALVE TO REAR PUMP PORT
155	3700913	1	HOSE\HYD\3/8X34\9/16FJICS CONV VALVE GP PORT TO GAUGE

HYDRAULIC AUXILIARY VALVE 3010 TRACK



ITEM	PART	QTY.	PART DESCRIPTION
FOR SN UP TO 3129			
4	3800277	9	FTG\1-1/16MORX1-1/16MJIC\ST
5	3800279	5	FTG\1-1/16MORX1-1/16MJIC\90
33	3800670	3	FTG\1-1/16FJICX1-1/16MJICX1-1/16MJIC\RUN;TEE
44	3800757	12	FTG\9/16MORX9/16MJIC\90
46	3800760	1	FTG\9/16MORX9/16MJIC\45
49	3800779	4	FTG\9/16MOR\PLUG\HEXHEAD
64	4000210	1	VLV\HYD\AUX\BLK\MFLD
143	3700912	1	HOSE\HYD\3/4X32\1-1/16FJICX1-1/16FJC PORT 2 CONV VALVE TO AUX T PORT TEES
145	3700767	1	HOSE\HYD\3/8X30\3/4MJICX9/16FJC UPPER 1/2 TUBE LINE TO 2A AUX VALVE

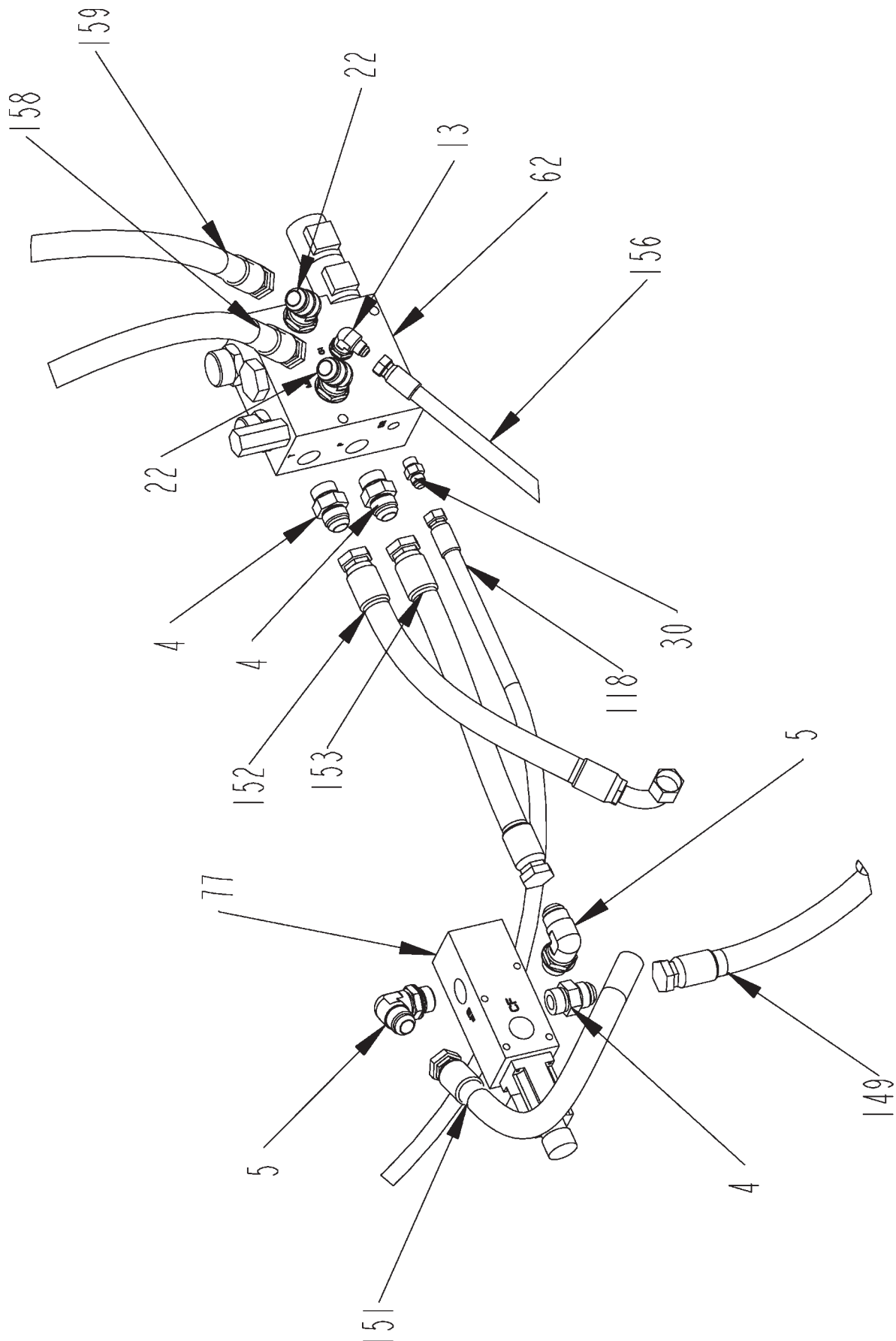
HYDRAULIC AUXILIARY VALVE 3010 TRACK

ITEM	PART	QTY.	PART DESCRIPTION
146	3700902	1	HYD\HOSE\3/8X31\3/4MJICX9/16FJIC> LOWER 1/2 TUBE LINE TO 2B AUX VALVE
147	3701176	1	HOSE\HYD\3/8X55\3/4MJCX9/16FJC 1B AUX VALVE TO CAP END TUB TILT CYL
148	3701176	1	HOSE\HYD\3/8X55\3/4MJCX9/16FJC 1A AUX VALVE TO ROD END TUB TILT CYL
149	3700911	1	HOSE\HYD\3/4X34\1-1/16FJXC1-1/16FJC MP PORT AUX VALVE TO IN PORT JEMM VALVE
150	3701541	1	HOSE\HYD\1X144\1-1/16FJICX1-5/16FJIC\45 T PORT AUX VALVE TEES TO BULKHEAD
151	3700908	1	HOSE\HYD\3/4X21\1-1/16FJXC1-1/16FJC T PORT AUX VALVE TEES TO EX PORT JEMM VALVE
152	3700909	1	HOSE\HYD\3/4X21\1-1/16FJC90X1-1/16FJC T PORT AUX VALVE TEES TO T PORT TUB VALVE
154	3700701	1	HOSE\HYD\3/4X117\1-1/16FJX1-1/16FJC45DEG AUX VALVE TO FRONT PORT GEAR PUMP
157	3701542	1	HOSE\HYD\3/8X204\9/16FJICS AUX GAUGE PORT TO GAUGE
FOR SN 3130 AND UP			
4	3800277	9	FTG\1-1/16MORX1-1/16MJIC\ST
5	3800279	5	FTG\1-1/16MORX1-1/16MJIC\90
33	3800670	3	FTG\1-1/16FJICX1-1/16MJICX1-1/16MJIC\RUN;TEE
44	3800757	12	FTG\9/16MORX9/16MJIC\90
46	3800760	1	FTG\9/16MORX9/16MJIC\45
49	3800779	4	FTG\9/16MOR\PLUG\HEXHEAD
64	4000210	1	VLV\HYD\AUX\BLK\MFLD
143	3700912	1	HOSE\HYD\3/4X32\1-1/16FJXC1-1/16FJC PORT 2 CONV VALVE TO AUX T PORT TEES
145	3700767	1	HOSE\HYD\3/8X30\3/4MJCX9/16FJC UPPER 1/2 TUBE LINE TO 2A AUX VALVE
146	3700902	1	HYD\HOSE\3/8X31\3/4MJICX9/16FJIC> LOWER 1/2 TUBE LINE TO 2B AUX VALVE
147	3701176	1	HOSE\HYD\3/8X55\3/4MJCX9/16FJC 1B AUX VALVE TO CAP END TUB TILT CYL
148	3701176	1	HOSE\HYD\3/8X55\3/4MJCX9/16FJC 1A AUX VALVE TO ROD END TUB TILT CYL
149	3700911	1	HOSE\HYD\3/4X34\1-1/16FJXC1-1/16FJC MP PORT AUX VALVE TO IN PORT JEMM VALVE
150	3701541	1	HOSE\HYD\1X144\1-1/16FJICX1-5/16FJIC\45 T PORT AUX VALVE TEES TO BULKHEAD
151	3700908	1	HOSE\HYD\3/4X21\1-1/16FJXC1-1/16FJC T PORT AUX VALVE TEES TO EX PORT JEMM VALVE
152	3700909	1	HOSE\HYD\3/4X21\1-1/16FJC90X1-1/16FJC T PORT AUX VALVE TEES TO T PORT TUB VALVE
154	3700701	1	HOSE\HYD\3/4X117\1-1/16FJX1-1/16FJC45DEG AUX VALVE TO FRONT PORT GEAR PUMP
157	3700915	1	HOSE\HYD\3/8X22\9/16FJIC> AUX GAUGE PORT TO GAUGE

CLUTCH HYDRAULIC TANK 3010 TRACK

ITEM	PART	QTY.	PART DESCRIPTION
FOR SN UP TO 3129			
11	3800427	1	FTG\1-1/4MPX1FP\BUSH
12	3800428	1	MNFLD\DBL;TEE\BLK\3/4FOR
15	3800467	1	FTG\1-5/16MJICX1MP\ST\SOLID
20	3800669	3	FTG\1-1/16MJICX7/8MOR\45
23	3800535	3	FTG\7/8MORX1-1/16MJIC\90
25	3800541	1	FTG\1-1/16MJICX3/4MP\90
31	3800668	3	FTG\1-1/16MJICX3/4MOR\ADP
32	3800669	1	FTG\MORXMJIC\45
41	3800753	1	FTG\2-1/2MJIC2MP\ST\SOLID
89	7500876	1	TANK\HYD\15G\15-1/2X
120	3701515	1	HOSE\HYD\3/4X90\1-1/16FJC90X1-1/16FJC CLUTCH PORT OF VALVE TO CLUTCH
121	3701516	1	HOSE\HYD\3/4X63\1-1/16FJC90X1-1/16FJC LUBE PORT OF VALVE TO CLUTCH
122	HOSE_28_3010_TRACK	1	FILTER TO PUMP PORT OF VALVE
123	HOSE_29_3010_TRACK	1	SUCTION PORT PUMP TO CLUTCH TANK
124	3701186	1	HOSE\HYD\2X47\2-1/2FJIC\2-1/2FLGX2-1/2BARB\HEW\FR CLUTCH CASE DRAIN TO CLUTCH TANK
125	3701527	1	HOSE\HYD\3/4X164\1-1/16FJICX1-1/16FJIC TO COOLER PORT OF VALVE TO BULKHEAD
126	3701527	1	HOSE\HYD\3/4X164\1-1/16FJICX1-1/16FJIC FROM COOLER PORT OF VALVE TO BULKHEAD
129	3701419	1	HOSE\HYD\3/4X18\1-1/16FJICX1-1/16FJIC\90 TANK PORT OF VALVE TO CLUTCH TANK
164	HPTO14DD_MANIFOLD_BODY	1	HPTO14DD MANIFOLD BODY
169	4704724	2	PAD\TANK\HYD\CLUTCH
FOR SN 3130 AND UP			
11	3800427	1	FTG\1-1/4MPX1FP\BUSH
12	3800428	1	MNFLD\DBL;TEE\BLK\3/4FOR
15	3800467	1	FTG\1-5/16MJICX1MP\ST\SOLID
20	3800527	3	FTG\1-1/16MJICX7/8MOR\ST
23	3800535	3	FTG\7/8MORX1-1/16MJIC\90
25	3800541	1	FTG\1-1/16MJICX3/4MP\90
31	3800668	3	FTG\1-1/16MJICX3/4MOR\ADP
32	3800669	1	FTG\1-1/16MJICX7/8MOR\45
41	3800753	1	FTG\2-1/2MJIC2MP\ST\SOLID
89	7500876	1	TANK\HYD\15G\15-1/2X
120	3701515	1	HOSE\HYD\3/4X90\1-1/16FJC90X1-1/16FJC CLUTCH PORT OF VALVE TO CLUTCH
121	3701516	1	HOSE\HYD\3/4X63\1-1/16FJC90X1-1/16FJC LUBE PORT OF VALVE TO CLUTCH
122	3701523	1	HOSE\HYD\3/4X23.5\1-1/16FJICX1-1/16FJIC FILTER TO PUMP PORT OF VALVE
123	3701526	1	HOSE\HYD\1X63\1-5/16FJICX1-5/16FJIC\45 SUCTION PORT PUMP TO CLUTCH TANK
124	3701186	1	HOSE\HYD\2X47\2-1/2FJIC\2-1/2FLGX2-1/2BARB\HEW\FR CLUTCH CASE DRAIN TO CLUTCH TANK
125	3701527	1	HOSE\HYD\3/4X164\1-1/16FJICX1-1/16FJIC TO COOLER PORT OF VALVE TO BULKHEAD
126	3701527	1	HOSE\HYD\3/4X164\1-1/16FJICX1-1/16FJIC FROM COOLER PORT OF VALVE TO BULKHEAD
129	3701419	1	HOSE\HYD\3/4X18\1-1/16FJICX1-1/16FJIC\90 TANK PORT OF VALVE TO CLUTCH TANK
164	HPTO14DD_MANIFOLD_BODY	1	HPTO14DD MANIFOLD BODY
169	4704724	2	PAD\TANK\HYD\CLUTCH

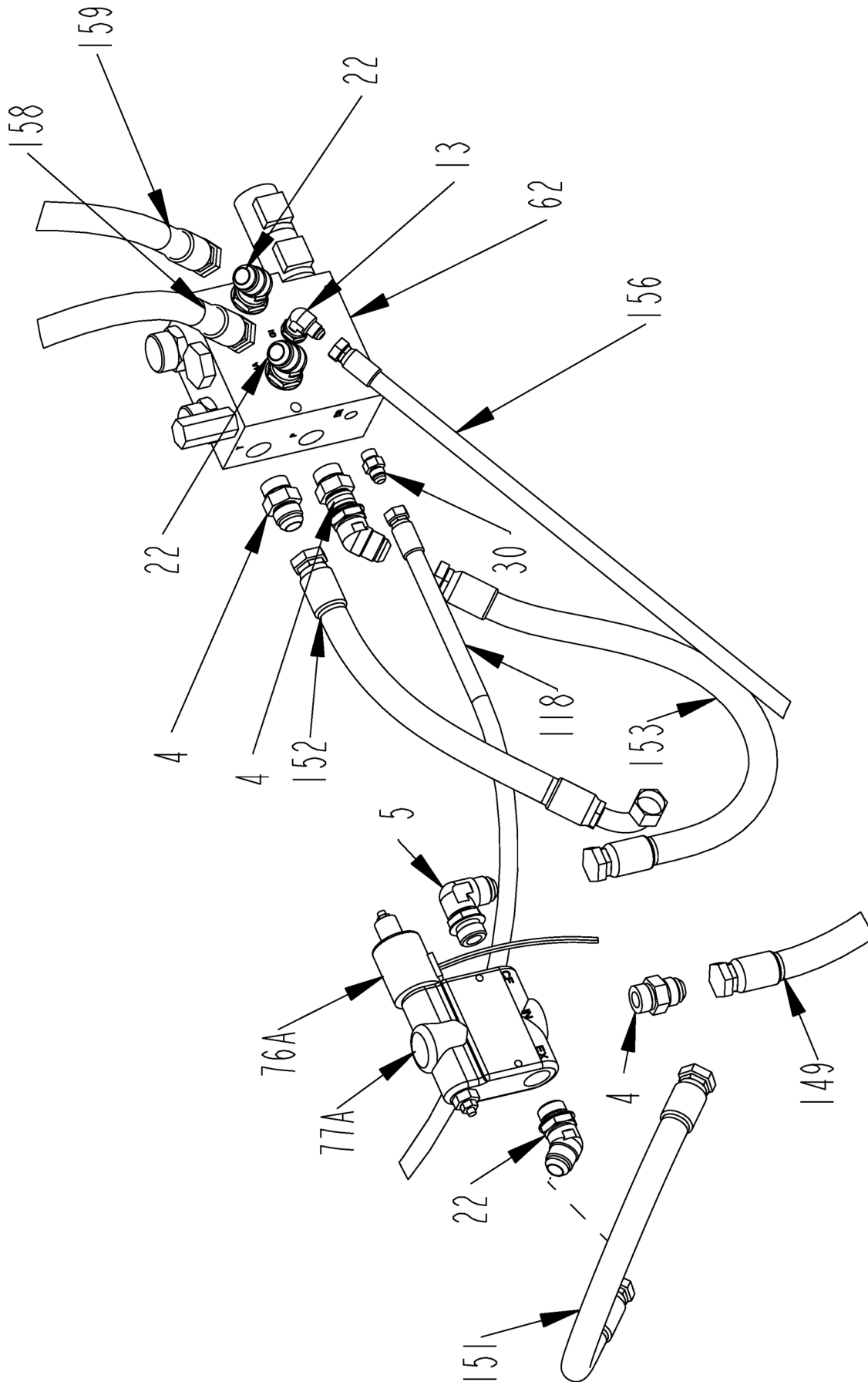
TUB DRIVE VALVES 3010 TRACK (THRU S.N. 50-2-FJ-3089)



TUB DRIVE VALVES 3010 TRACK (THRU S.N. 50-2-FJ-3089)

ITEM	PART	QTY.	PART DESCRIPTION
4	3800277	9	FTG\1-1/16MORX1-1/16MJIC\ST
5	3800279	5	FTG\1-1/16MORX1-1/16MJIC\90
13	3800453	14	FTG\3/4MORX9/16MJIC\90
22	3800532	4	FTG\1-1/16MORX1-1/16MJIC\45
30	3800631	4	FTG\9/16MORX9/16MJIC\ST
62	4000207	1	VLV\HYD\TUB\BLK\MFLD
77	4300069	1	VALVE\SERVO\25GPM\24VDC\
118	HOSE_24_3010_TRACK	1	TUB DRIVE CASE DRAIN TO LH TANK PORT
149	HOSE_55_3010_TRACK	1	MP PORT AUX VALVE TO IN PORT JEMM VALVE
151	HOSE_57_3010_TRACK	1	T PORT AUX VALVE TEES TO EX PORT JEMM VALVE
152	HOSE_58_3010_TRACK	1	T PORT AUX VALVE TEES TO T PORT TUB VALVE
153	HOSE_59_3010_TRACK	1	P PORT TUB VALVE TO CF PORT JEMM VALVE
156	HOSE_62_3010_TRACK	1	TUB VALVE TO GP TO GAUGE
158	HOSE_64_3010_TRACK	1	PORT MA TUB VALVE TO TUB MOTOR
159	HOSE_65_3010_TRACK	1	PORT MB TUB VALVE TO TUB MOTOR

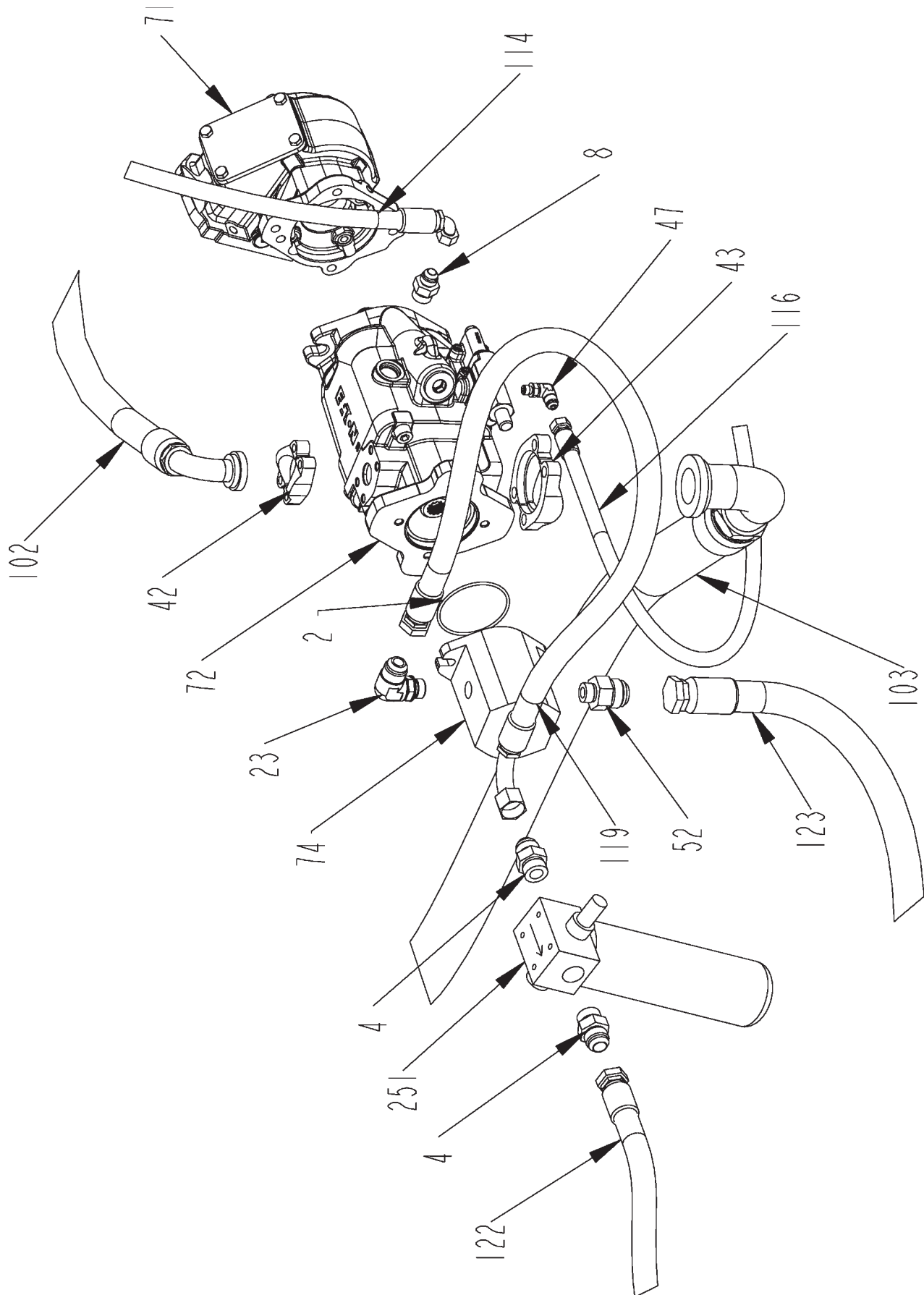
TUB DRIVE VALVES 3010 TRACK (S.N. 50-2-GJ-3090 & UP)



TUB DRIVE VALVES 3010 TRACK (S.N. 50-2-GJ-3090 & UP)

ITEM	PART	QTY.	PART DESCRIPTION
4	3800277	9	FTG\1-1/16MORX1-1/16MJIC\ST
5	3800279	5	FTG\1-1/16MORX1-1/16MJIC\90
13	3800453	14	FTG\3/4MORX9/16MJIC\90
22	3800532	4	FTG\1-1/16MORX1-1/16MJIC\45
30	3800631	4	FTG\9/16MORX9/16MJIC\ST
62	4000207	1	VLV\HYD\TUB\BLK\MFLD
76A	4300074		VALVE\S0LENOID\24V\BRAND (FOR 4300072)
77A	4300072	1	VALVE\SERVO\30GPM\24VOLT\BRAND S/N 3090 & UP
118	3701539	1	HOSE\HYD\3/8X85\9/16FJIC TUB DRIVE CASE DRAIN TO LH TANK PORT
149	3700911	1	HOSE\HYD\3/4X34\1-1/16FJICX1-1/16FJC MP PORT AUX VALVE TO IN PORT JEMM VALVE
151	3700908	1	HOSE\HYD\3/4X21\1-1/16FJICX1-1/16FJC T PORT AUX VALVE TEES TO EX PORT JEMM VALVE
152	3700909	1	HOSE\HYD\3/4X21\1-1/16FJC90X1-1/16FJC T PORT AUX VALVE TEES TO T PORT TUB VALVE
153	3700910	1	HOSE\HYD\3/4X23\1-1/16FJICX1-1/16FJC P PORT TUB VALVE TO CF PORT JEMM VALVE
156	3700914	1	HOSE\HYD\3/8X42\9/16FJICS TUB VALVE TO GP TO GAUGE
158	3700691	1	HOSE\HYD\3/4X89\1-1/16FJICX1-1/16FJC PORT MA TUB VALVE TO TUB MOTOR
159	3700691	1	HOSE\HYD\3/4X89\1-1/16FJICX1-1/16FJC PORT MB TUB VALVE TO TUB MOTOR

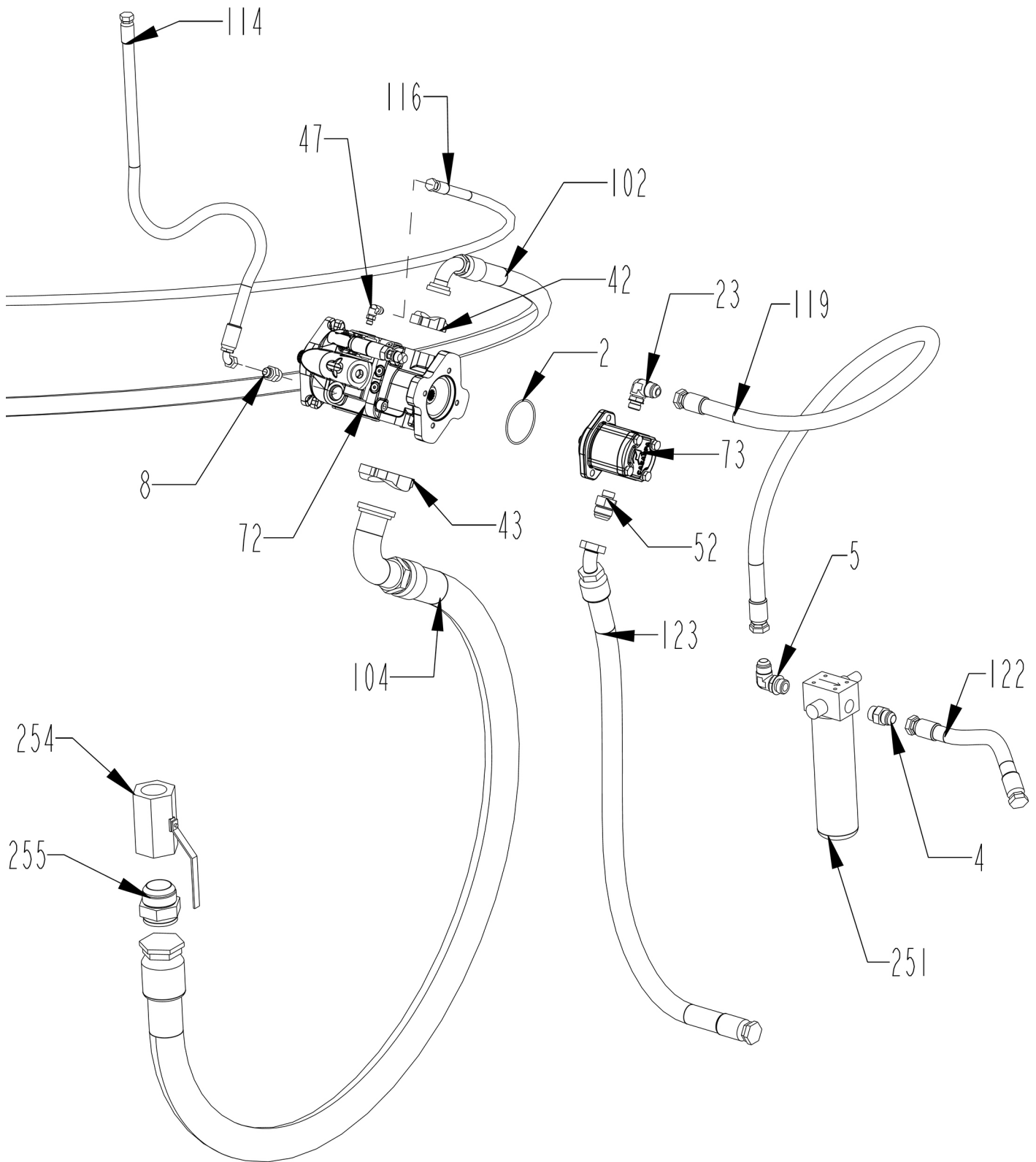
RH TRACK PUMP & CLUTCH PUMP 3010 TRACK (S.N. THRU 3129)



RH TRACK PUMP & CLUTCH PUMP 3010 TRACK (S.N. THRU 3129)

ITEM	PART	QTY.	PART DESCRIPTION
2	2001046	2	SEAL\O-RING
4	3800277	9	FTG\1-1/16MORX1-1/16MJIC\ST
8	3800328	1	FTG\7/8MORX3/4MJIC\ADPT
23	3800535	3	FTG\7/8MORX1-1/16MJIC\90
42	3800755	2	CLMP\FLANGE\SPLIT\#61\16
43	3800756	3	CLMP\FLANGE\SPLIT\#61\32
47	3800762	2	FTG\7/16MORX9/16MJIC\90
52	3800807	1	FTG\7/8MORX1-5/16MJIC\ST
71	4200093	1	PUMP\DRIVE\RH\B-B
71A	4200182		PUMP\DRIVE\RH\8-BOLT (S.N. 3127, 3128)
72	4200094	2	PUMP\HYD\3.8\LOAD;SENSE
	4200189		SEAL\KIT\PUMP\EATON\4200094
74	4200097	1	PUMP\HYD\0.67\LH\GEAR
102	3701057	1	HOSE\HYD\1X180\1-5/16FJIC\1FLGX1BARB\HE\W\FRRL\CODE61 P PORT RH CONROL VALVE TO RH PUMP
103	HOSE_9_3010_TRACK	1	RH PUMP SUCTION PORT TO LH TANK PORT
114	HOSE_20_3010_TRACK	1	RH PUMP CASE TO RH TANK PORT
116	HOSE_22_3010_TRACK	1	LS PORT RH CONTROL VALVE TO LS PORT RH PUMP
119	HOSE_25_3010_TRACK	1	CLUTCH GEAR PUMP TO FILTER
122	HOSE_28_3010_TRACK	1	FILTER TO PUMP PORT OF VALVE
123	HOSE_29_3010_TRACK	1	SUCTION PORT PUMP TO CLUTCH TANK
251	4400059	1	FLTR\COMP\10MIC;ABS\ ELEMENT 4400073
	4400073		FLTR\ELMT\10MIC;ABS\1000 PSI\MEDIUM;PRESSURE

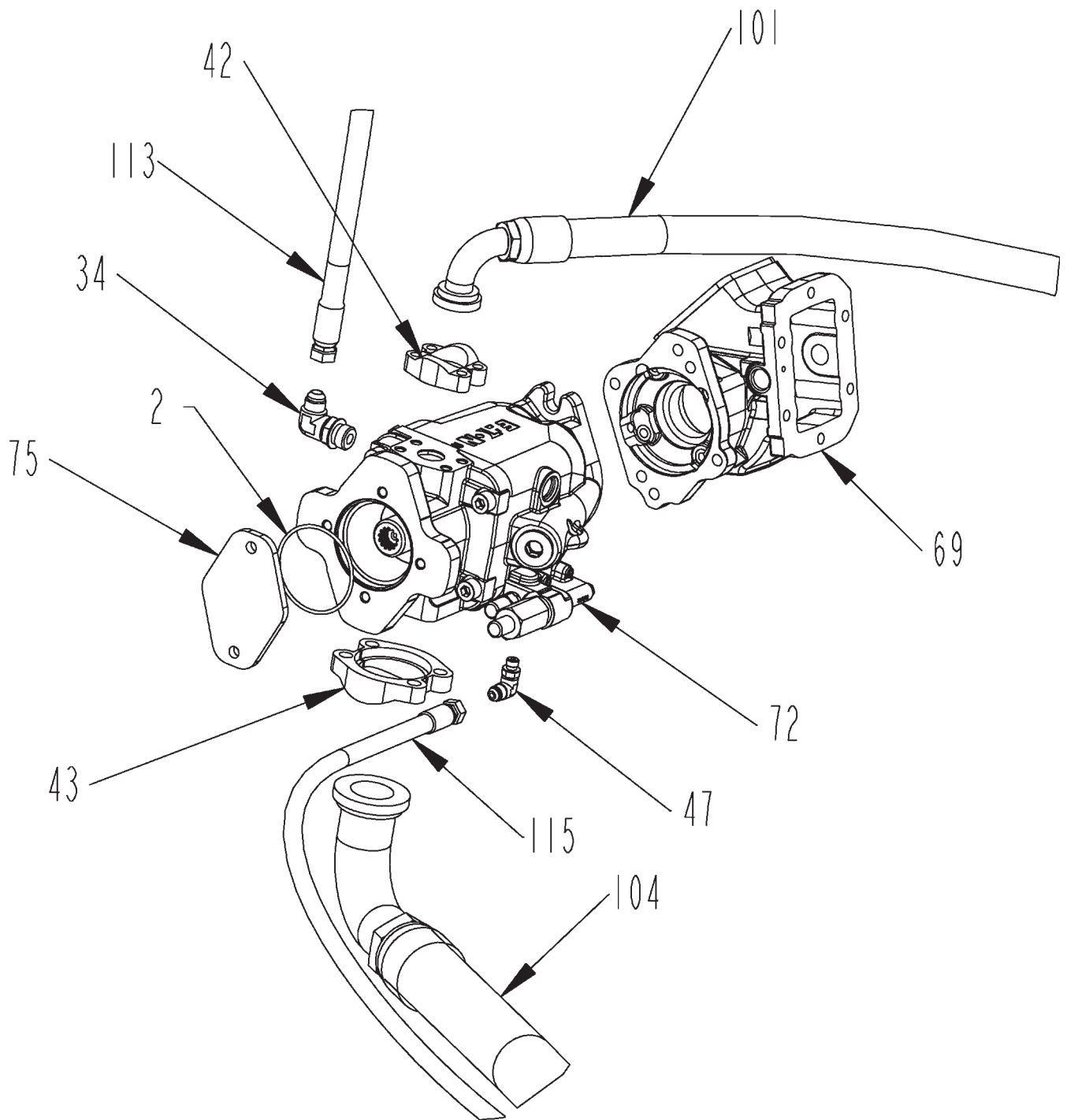
RH TRACK PUMP & CLUTCH PUMP 3010 TRACK (S.N. 3130 & UP)



RH TRACK PUMP & CLUTCH PUMP 3010 TRACK (S.N. 3130 & UP)

ITEM	PART	QTY.	PART DESCRIPTION
2	2001046	2	SEAL\O-RING
4	3800277	8	FTG\1-1/16MORX1-1/16MJIC\ST
5	3800279	6	FTG\1-1/16MORX1-1/16MJIC\90
8	3800328	1	FTG\7/8MORX3/4MJIC\ADPT
23	3800535	3	FTG\7/8MORX1-1/16MJIC\90
42	3800755	2	CLMP\FLANGE\SPLIT\#61\1-16
43	3800756	3	CLMP\FLANGE\SPLIT\#61\1-32
47	3800762	2	FTG\7/16MORX9/16MJIC\90
52	3800807	2	FTG\7/8MORX1-5/16MJIC\ST
72	4200190	1	PUMP\HYD\3.8\LOAD;SENSE\RH
73	4200191	1	PUMP\HYD\0.67\RH\GEAR
102	3701057	1	HOSE\HYD\1X180\1-5/16FJIC\1FLGX1BARB\HE\W\FRRL\CODE61 P PORT RH CONROL VALVE TO RH PUMP
104	3701506	1	HOSE\HYD\2X32\2-1/2FJIC\2-1/2FLGX2-1/2BARB\HE\W\FRRL\CODE61\90 RH PUMP SUCTION PORT TO LH TANK PORT BALL VALVE
114	3701011	1	HOSE\HYD\1\2X31\3/4FJICSX3/4FJIC90 RH PUMP CASE TO RH TANK PORT
116	3701537	1	HOSE\HYD\3\8X182\9/16FJCX9/16FJC90 RH PUMP CASE TO RH TANK PORT
119	3700910	1	HOSE\HYD\3\4X23\1-1/16FJCX1-1/16FJC CLUTCH GEAR PUMP TO FILTER
122	3701523	1	HOSE\HYD\3\4X23.5\1-1/16FJCX1-1/16FJC FILTER TO PUMP PORT OF VALVE
123	3701526	1	HOSE\HYD\1X63\1-5/16FJCX1-5/16FJC\45 SUCTION PORT PUMP TO CLUTCH TANK
251	4400059	1	FLTR\COMP\10MIC;ABS\>
254	3800724	2	VALVE\BALL\2\2-1/2FOR\1/4 TURN\W\LOCK
255	3800752	4	FTG\2-1/2MORX2-1/2MJIC\ST

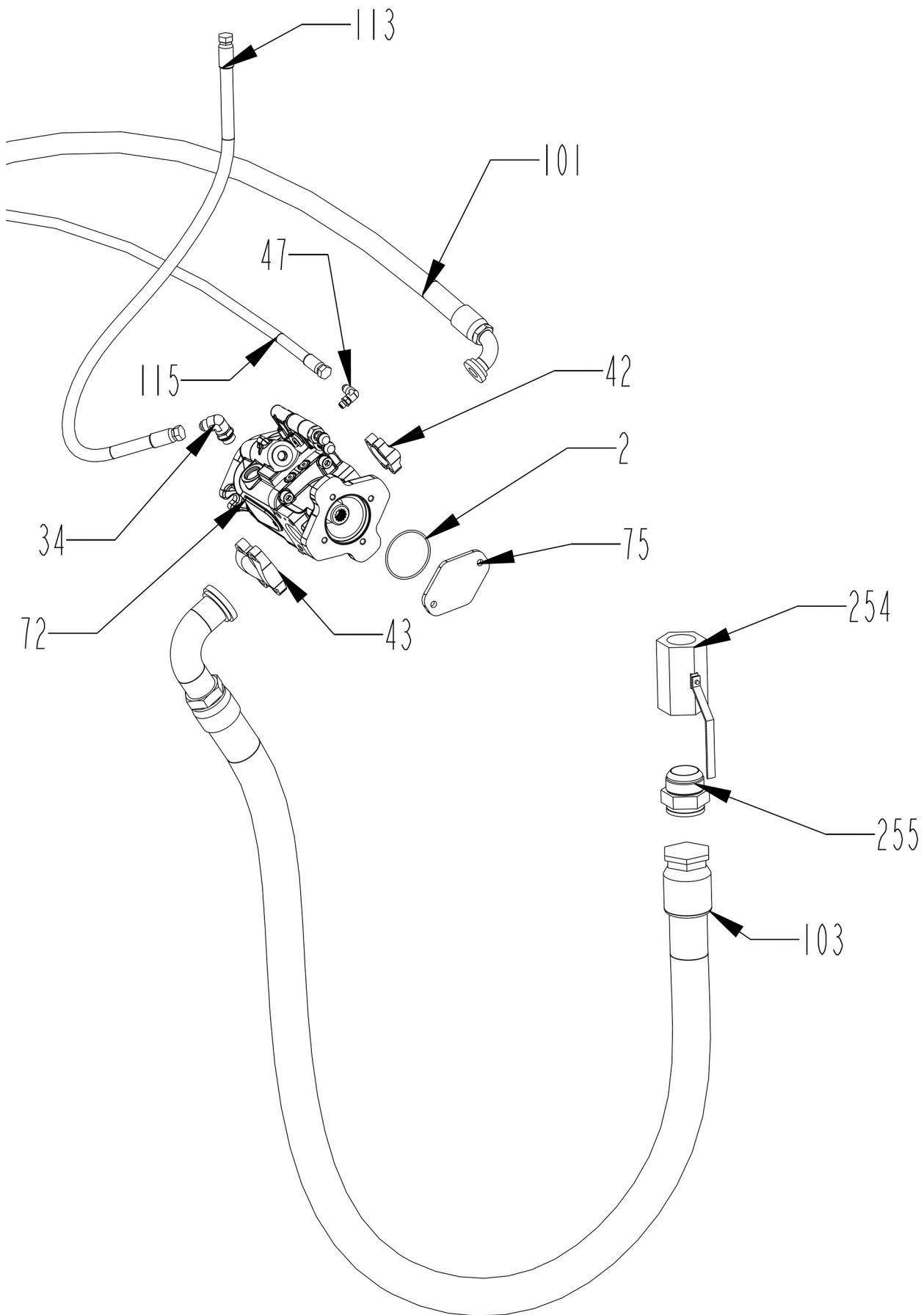
LH TRACK PUMP 3010 TRACK (S.N. THRU 3129)



LH TRACK PUMP 3010 TRACK (S.N. THRU 3129)

ITEM	PART	QTY.	PART DESCRIPTION
2	2001046	2	SEAL\O-RING
34	3800696	1	FTG\7/8MORX3/4MJIC\90
42	3800755	2	CLMP\FLANGE\SPLIT\#61\16
43	3800756	3	CLMP\FLANGE\SPLIT\#61\32
47	3800762	2	FTG\7/16MORX9/16MJIC\90
69	4200074	1	PUMP\DRIVE\LH\B-B
69A	4200181		PUMP\DRIVE\LH\8-BOLT (S.N. 3127, 3128)
72	4200094	2	PUMP\HYD\3.8\LOAD;SENSE
	4200189		SEAL\KIT\PUMP\EATON\4200094
75	4200098	1	COVER\PUMP\APAD
101	HOSE_7_3010_TRACK	1	P PORT LH CONTROL VALVE TO LH PUMP
104	HOSE_10_3010_TRACK	1	LH PUMP SUCTION PORT TO RH TANK PORT
113	HOSE_19_3010_TRACK	1	LH PUMP CASE TO LH TANK PORT
115	HOSE_21_3010_TRACK	1	LS PORT LH CONTROL VALVE TO LS PORT LH PUMP

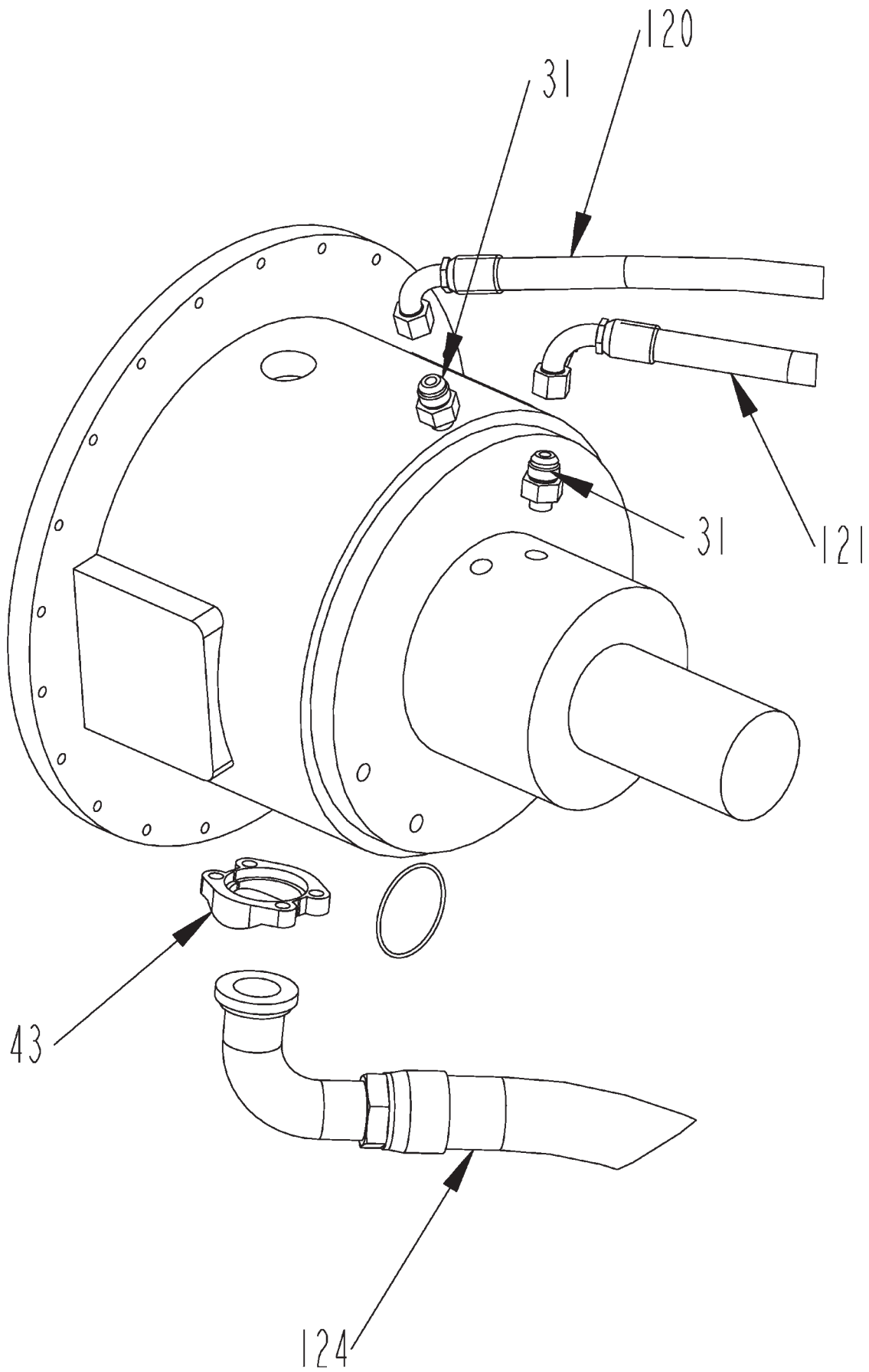
LH TRACK PUMP 3010 TRACK (S.N. 3130 & UP)



LH TRACK PUMP 3010 TRACK (S.N. 3130 & UP)

ITEM	PART	QTY.	PART DESCRIPTION
2	2001046	2	SEAL\O-RING
34	3800696	1	FTG\7/8MORX3/4MJIC\90
42	3800755	2	CLMP\FLANGE\SPLIT\#61\1-16
43	3800756	3	CLMP\FLANGE\SPLIT\#61\1-32
47	3800762	2	FTG\7/16MORX9/16MJIC\90
75	4200098	1	COVER\PUMP\APAD
72	4200190	2	PUMP\HYD\3.8\LOAD;SENSE\RH
101	3701057	1	HOSE\HYD\1X180\1-5/16FJIC\1FLGX1BARB\HEW\FRRL\CODE61 P PORT LH CONTROL VALVE TO LH PUMP
103	3701506	1	HOSE\HYD\2X32\2-1/2FJIC\2-1/2FLGX2-1/2BARB\HEW\FRRL\CODE61\90 LH PUMP SUCTION PORT TO RH TANK PORT BALL VALVE
113	3701536	1	HOSE\HYD\1/2X35\3/4FJICS LH PUMP CASE TO LH TANK PORT
115	3701537	1	HOSE\HYD\3/8X182\9/16FJCX9/16FJC90 LS PORT LH CONTROL VALVE TO LS PORT LH PUMP
254	3800724	2	VALVE\BALL\2\2-1/2FOR\1/4 TURN\W/LOCK
255	3800752	4	FTG\2-1/2MORX2-1/2MJIC\ST

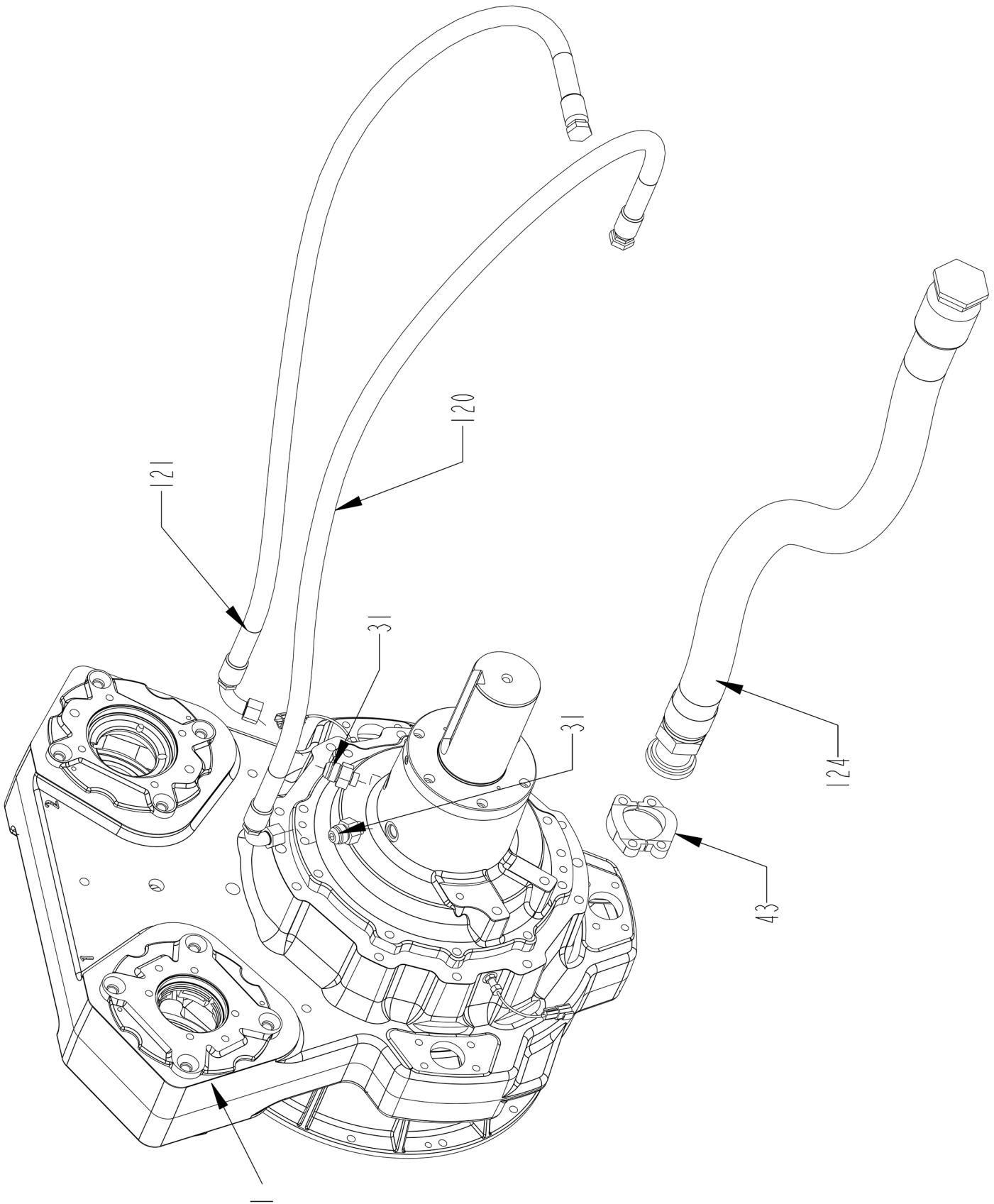
HPTO CLUTCH 3010 TRACK (S.N. THRU 3129)



HPTO CLUTCH 3010 TRACK (S.N. THRU 3129)

ITEM	PART	QTY.	PART DESCRIPTION
31	3800668	3	FTG\1-1/16MJICX3/4MOR\ADP
43	3800756	3	CLMP\FLANGE\SPLIT\#61\32
120	HOSE_26_3010_TRACK	1	CLUTCH PORT OF VALVE TO CLUTCH
121	HOSE_27_3010_TRACK	1	LUBE PORT OF VALVE TO CLUTCH
124	HOSE_30_3010_TRACK	1	CLUTCH CASE DRAIN TO CLUTCH TANK

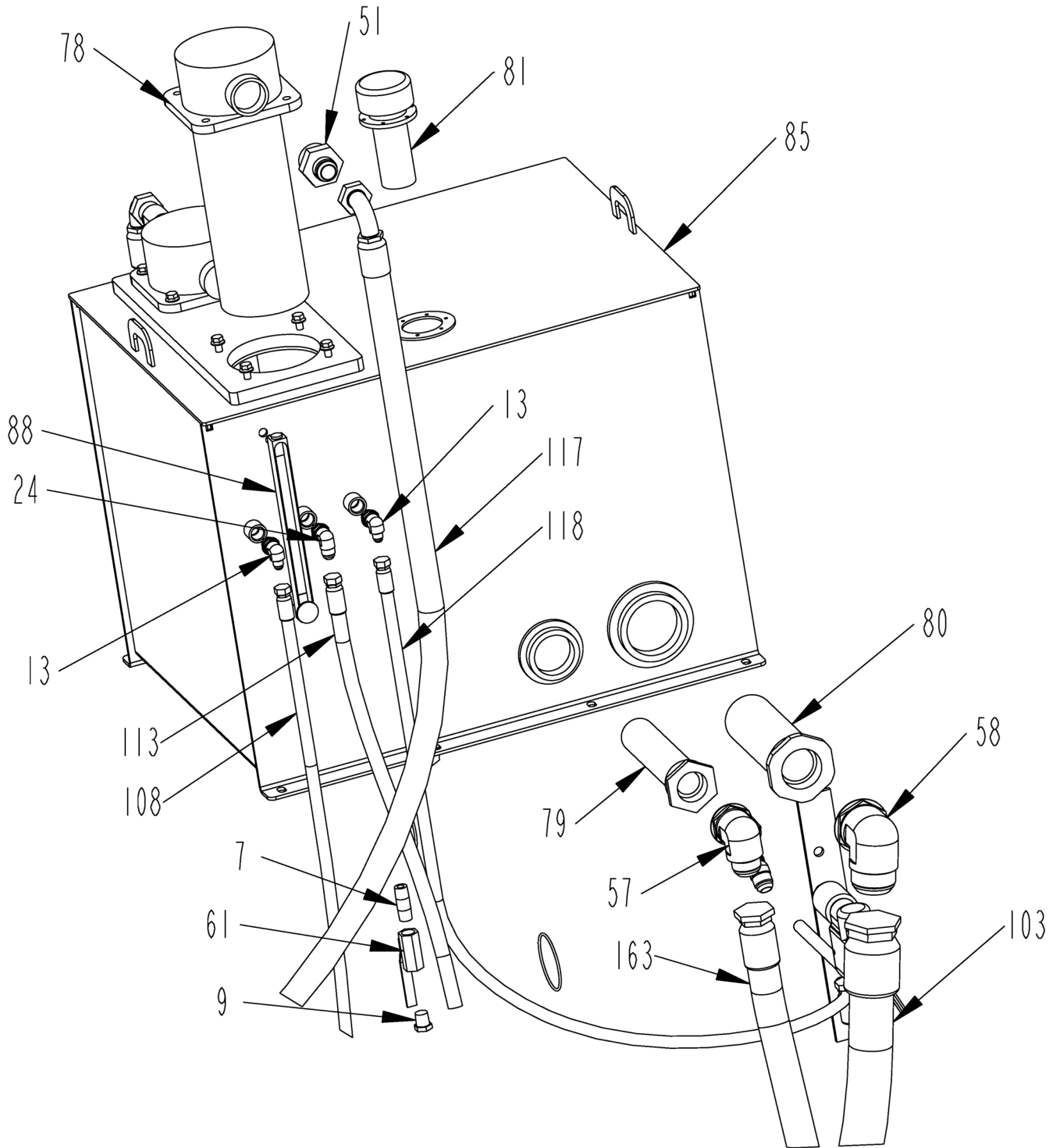
HPTO CLUTCH 3010 TRACK (S.N. 3130 & UP)



HPTO CLUTCH 3010 TRACK (S.N. 3130 & UP)

ITEM	PART	QTY.	PART DESCRIPTION
1	0900193	1	CLUTCH\FLEX\HPTO14DF3
31	3800668	2	FTG\1-1/16MJICX3/4MOR\ADP
43	3800756	1	CLMP\FLANGE\SPLIT\#61\32
120	3701515	1	HOSE\HYD\3/4X90\1-1/16FJC90X1-1/16FJC CLUTCH PORT OF VALVE TO CLUTCH
121	3701516	1	HOSE\HYD\3/4X63\1-1/16FJC90X1-1/16FJC LUBE PORT OF VALVE TO CLUTCH
124	3701525	1	HOSE\HYD\2X37.5\2-1/2FJCX2C61FLANGE CLUTCH CASE DRAIN TO CLUTCH TANK

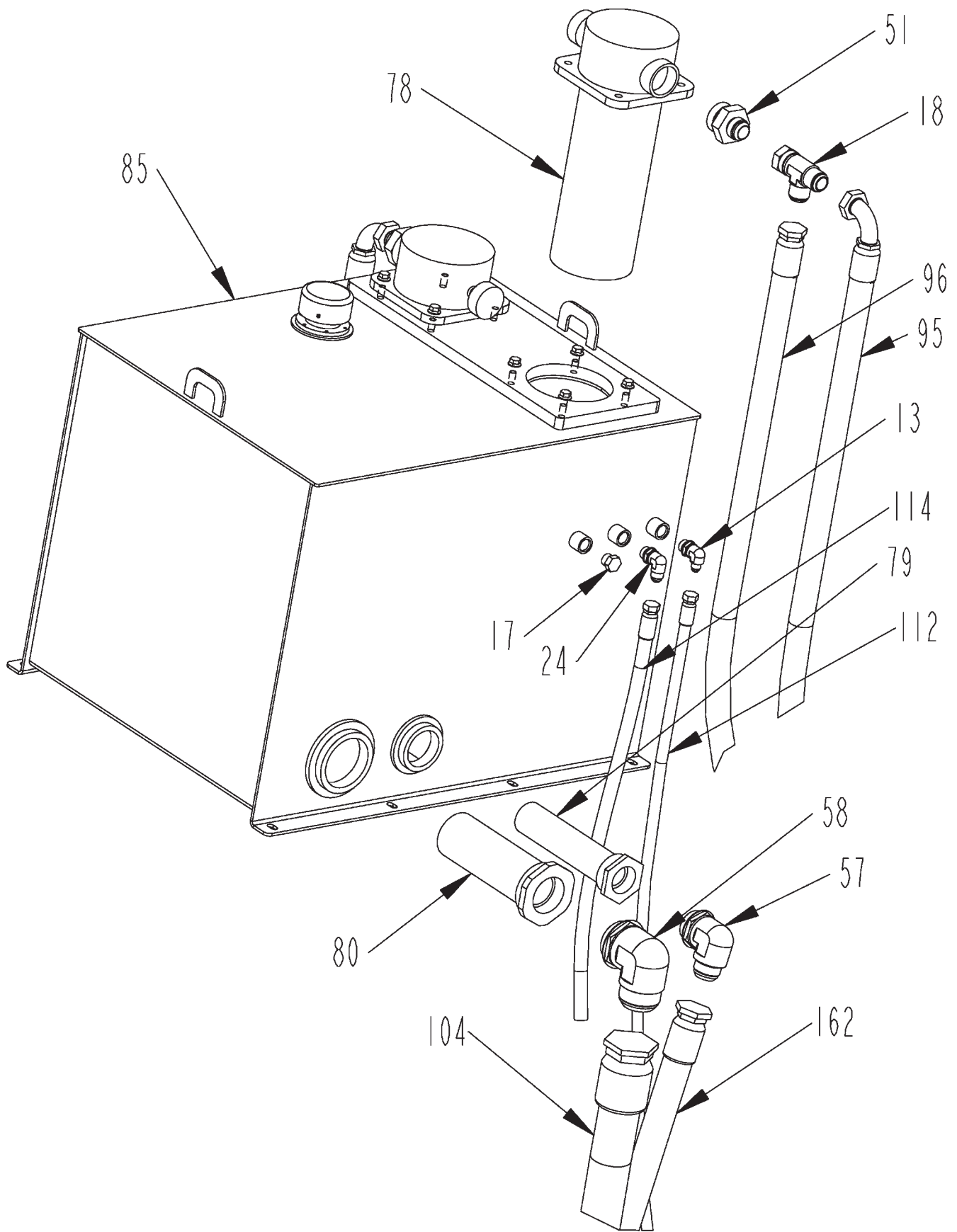
HYDRAULIC TANK LEFT SIDE 3010 TRACK (S.N. THRU 3129)



HYDRAULIC TANK LEFT SIDE 3010 TRACK (S.N. THRU 3129)

ITEM	PART	QTY.	PART DESCRIPTION
7	3800323	1	FTG\1/2MPX2\NPL\LW
9	3800360	1	FTG\1/2MP\PLUG\HEX
13	3800453	14	FTG\3/4MORX9/16MJIC\90
24	3800537	2	FTG\3/4MORX3/4MJIC\90
51	3800801	2	FTG\1-7/8MORX1-5/16MJIC\ST
57	3800852	2	FTG\1-7/8MORX1-5/8MJIC\90
58	3800853	2	FTG\2-1/2MORX2-1/2MJIC\90
61	4000193	1	VALVE\BALL\1/2\LW\BRS
78	4400043	2	FILTER\HYDRAULIC\RETURN\IN-TANK ELEMENT 4400074
	4400074		FLTR\ELMT\10MIC\INTANK, replacement filter for 4400043
	4400115		SEAL\HEAD\FLTR\IMP, seal for 4400043
79	4400067	2	FLTR\SCRN\2-1/2MORX1-7/8\FOR\30GPM\ST30-100-RV3
80	4400068	2	FLTR\SCRN\3-3/8MORX2-1/2\FOR\50GPM\100MESH
81	4400071	1	VENT\W\LOCK\CAP\HYD
85	4704621	1	TANK\OIL\3010T
88	7500615	1	GAUGE\LEVEL\10\W/THERMOMETER
103	HOSE_9_3010_TRACK	1	RH PUMP SUCTION PORT TO LH TANK PORT
108	HOSE_14_3010_TRACK	1	LH TRACK MOTOR CASE DRAIN TO LH TANK PORT
113	HOSE_19_3010_TRACK	1	LH PUMP CASE TO LH TANK PORT
117	HOSE_23_3010_TRACK	1	COOLER BULKHEAD TO LH FILTER
118	HOSE_24_3010_TRACK	1	TUB DRIVE CASE DRAIN TO LH TANK PORT
163	HOSE_69_3010_TRACK	1	TANK TO GEAR PUMP SUCTION PORT
NOT SHOWN			
	4704725	2	PAD\TANK\HYD

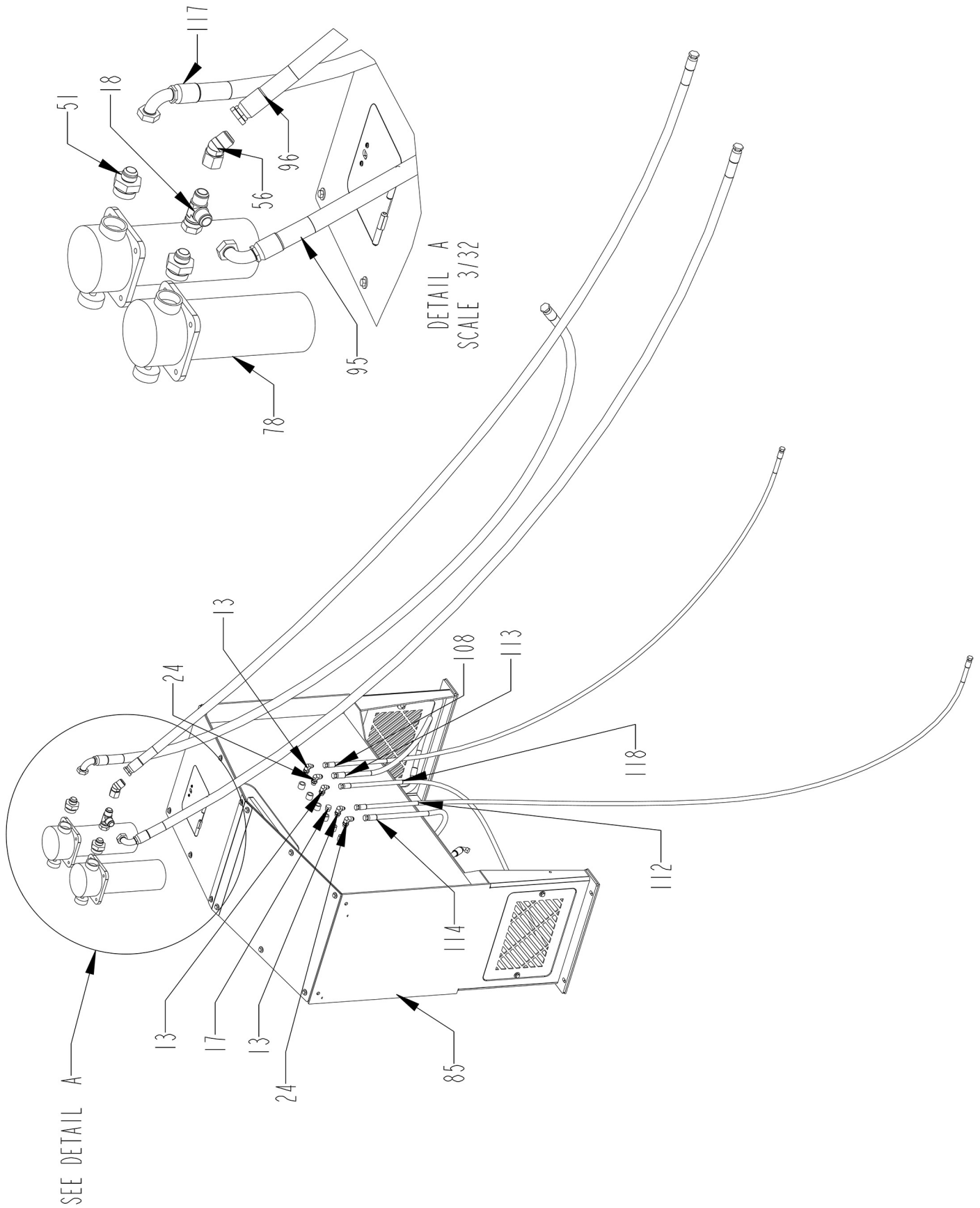
HYDRAULIC TANK RIGHT SIDE 3010 TRACK (S.N. THRU 3129)



HYDRAULIC TANK RIGHT SIDE 3010 TRACK (S.N. THRU 3129)

ITEM	PART	QTY.	PART DESCRIPTION
13	3800453	14	FTG\3/4MORX9/16MJIC\90
17	3800490	1	FTG\3/4MOR\PLUG\HEX
18	3800497	3	FTG\1-5/16FJICX1-5/16MJICX1-5/16MJIC\RUN;TEE
24	3800537	2	FTG\3/4MORX3/4MJIC\90
51	3800801	2	FTG\1-7/8MORX1-5/16MJIC\ST
57	3800852	2	FTG\1-7/8MORX1-5/8MJIC\90
58	3800853	2	FTG\2-1/2MORX2-1/2MJIC\90
78	4400043	2	FILTER\HYDRAULIC\RETURN\IN-TANK ELEMENT 4400074
	4400074		FLTR\ELMT\10MIC\INTANK, replacement filter for 4400043
	4400115		SEAL\HEAD\FLTR\MP, seal for 4400043
79	4400067	2	FLTR\SCRN\2-1/2MORX1-7/8FOR\30GPM\ST30-100-RV3
80	4400068	2	FLTR\SCRN\3-3/8MORX2-1/2FOR\50GPM\100MESH
85	4704621	1	TANK\OIL\3010T
95	HOSE_1_3010_TR	1	T PORT RH CONTROL VALVE TO RUN RIGHT FILTER TEE
96	HOSE_2_3010_TR	1	T PORT LH CONTROL VALVE TO BRANCH RIGHT FILTER TEE
104	HOSE_10_3010_T	1	LH PUMP SUCTION PORT TO RH TANK PORT
112	HOSE_18_3010_T	1	RH TRACK MOTOR CASE DRAIN TO RH TANK PORT
114	HOSE_20_3010_T	1	RH PUMP CASE TO RH TANK PORT
162	HOSE_68_3010_T	1	TANK TO GEAR PUMP SUCTION PORT

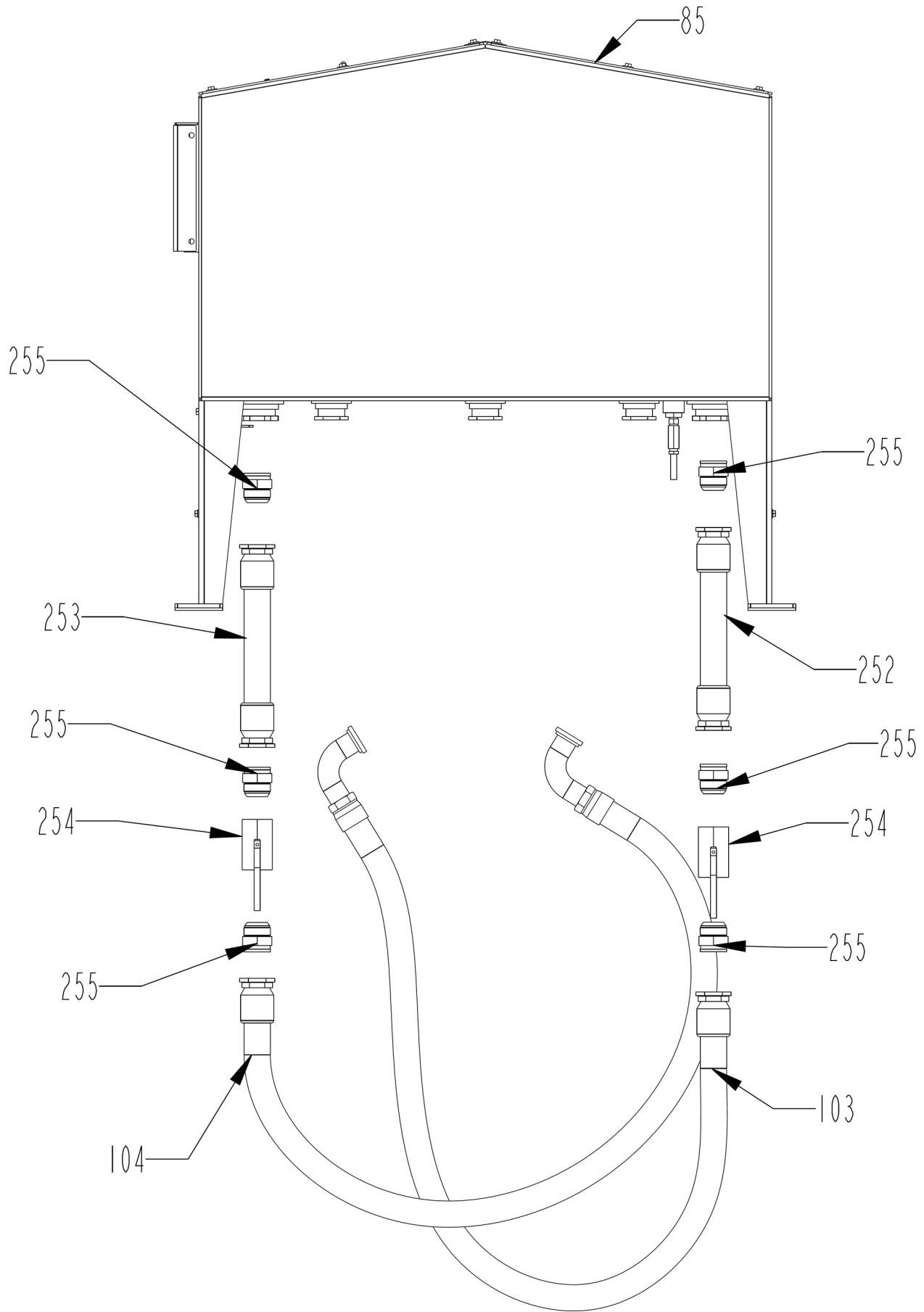
HYDRAULIC TANK 3010 TRACK - VIEW 1 (S.N. 3130 & UP)



HYDRAULIC TANK 3010 TRACK - VIEW 1 (S.N. 3130 & UP)

ITEM	PART	QTY.	PART DESCRIPTION
13	3800453	3	FTG\3/4MORX9/16MJIC\90
17	3800490	1	FTG\3/4MOR\PLUG\HEX
18	3800497	1	FTG\1-5/16FJICX1-5/16MJICX1-5/16MJIC\RUN;TEE
24	3800537	2	FTG\3/4MORX3/4MJIC\90
51	3800801	2	FTG\1-7/8MORX1-5/16MJIC\ST
56	3800806	1	FTG\1-5/16MJICX1-5/16FJIC\45
78	4400043	2	FILTER\HYDRAULIC\RETURN\IN-TANK ELEMENT 4400074
85	4705307	1	TANK\OIL\3010
95	3701529	1	HOSE\HYD\1X198\1-5/16FJICX1-5/16FJIC\90 T PORT RH CONTROL VALVE TO RUN RIGHT FILTER TEE
96	3701530	1	HOSE\HYD\1X198\1-5/16FJICX1-5/16FJIC T PORT LH CONTROL VALVE TO BRANCH RIGHT FILTER TEE
108	3701233	1	HOSE\HYD\3/8X140\9/16FJIC LH TRACK MOTOR CASE DRAIN TO LH TANK PORT
112	3701535	1	HOSE\HYD\3/8X146\9/16FJIC RH TRACK MOTOR CASE DRAIN TO RH TANK PORT
113	3701536	1	HOSE\HYD\1/2X35\3/4FJICS LH PUMP CASE DRAIN TO LH TANK PORT
114	3701011	1	HOSE\HYD\1/2X31\3/4FJICSX3/4FJIC90 RH PUMP CASE DRAIN TO RH TANK PORT
117	3701538	1	HOSE\HYD\1X158\1-5/16FJICX1-5/16FJIC\90 COOLER BULKHEAD TO LH FILTER
118	3701539	1	HOSE\HYD\3/8X85\9/16FJIC TUB DRIVE CASE DRAIN TO LH TANK PORT

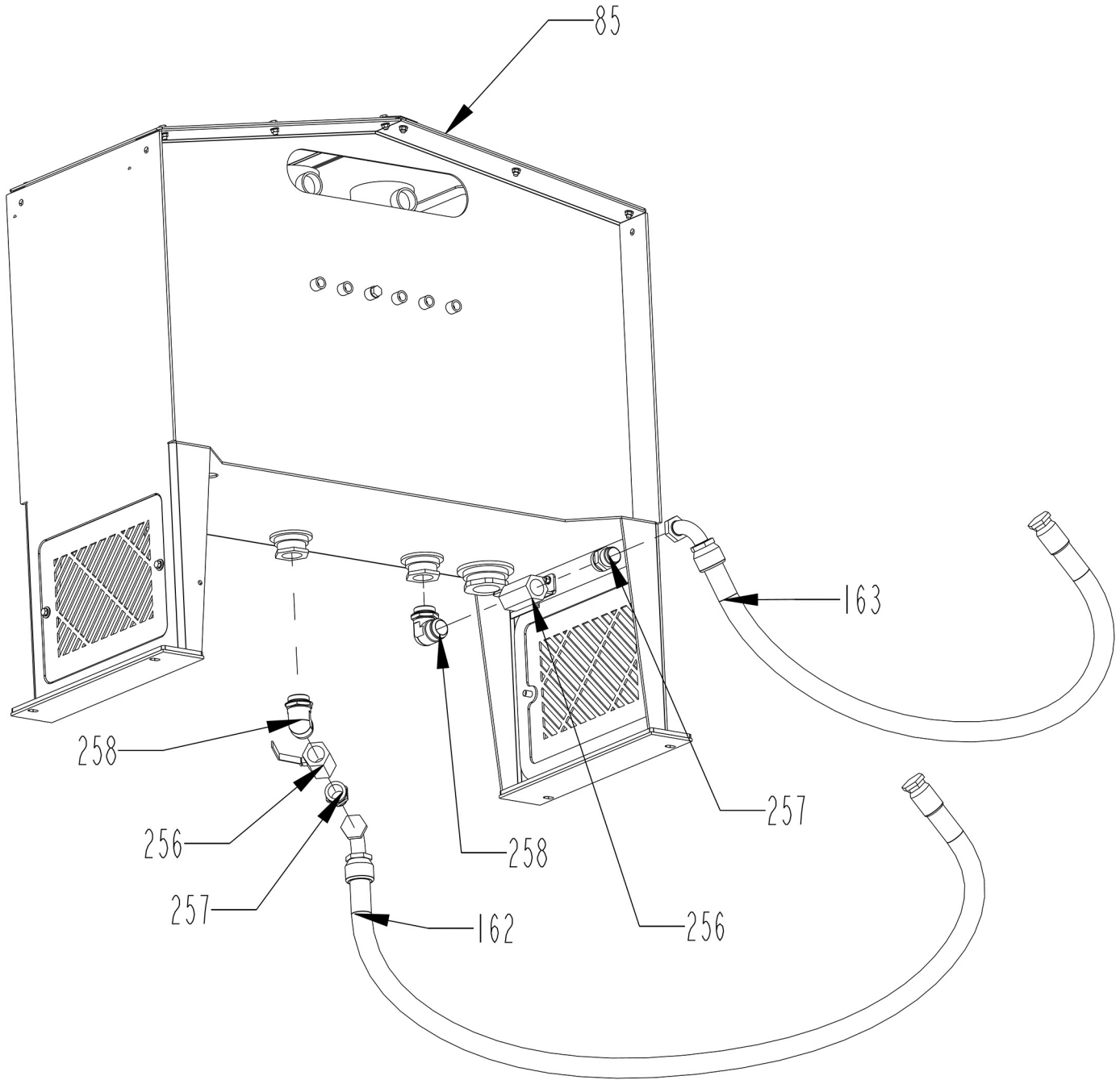
HYDRAULIC TANK 3010 TRACK - VIEW 2 (S.N. 3130 & UP)



HYDRAULIC TANK 3010 TRACK - VIEW 2 (S.N. 3130 & UP)

ITEM	PART	QTY.	PART DESCRIPTION
85	4705307	1	TANK\OIL\3010
103	3701506	1	HOSE\HYD\2X32\2-1/2FJIC\2-1/2FLGX2-1/2BARB\HEW\FRRL\CODE61\90 LH PUMP SUCTION PORT TO RH HYD TANK BALL VALVE
104	3701506	1	HOSE\HYD\2X32\2-1/2FJIC\2-1/2FLGX2-1/2BARB\HEW\FRRL\CODE61\90 RH PUMP SUCTION PORT TO LH HYD TANK BALL VALVE
252	3701507	1	HOSE\HYD\2X15.5\2-1/2FJICX2-1/2FJIC HYD TANK TO BALL VALVE
253	3701507	1	HOSE\HYD\2X15.5\2-1/2FJICX2-1/2FJIC HYD TANK TO BALL VALVE
254	3800724	2	VALVE\BALL\2\2-1/2FOR\1/4 TURN\W\LOCK
255	3800752	6	FTG\2-1/2MORX2-1/2MJIC\ST

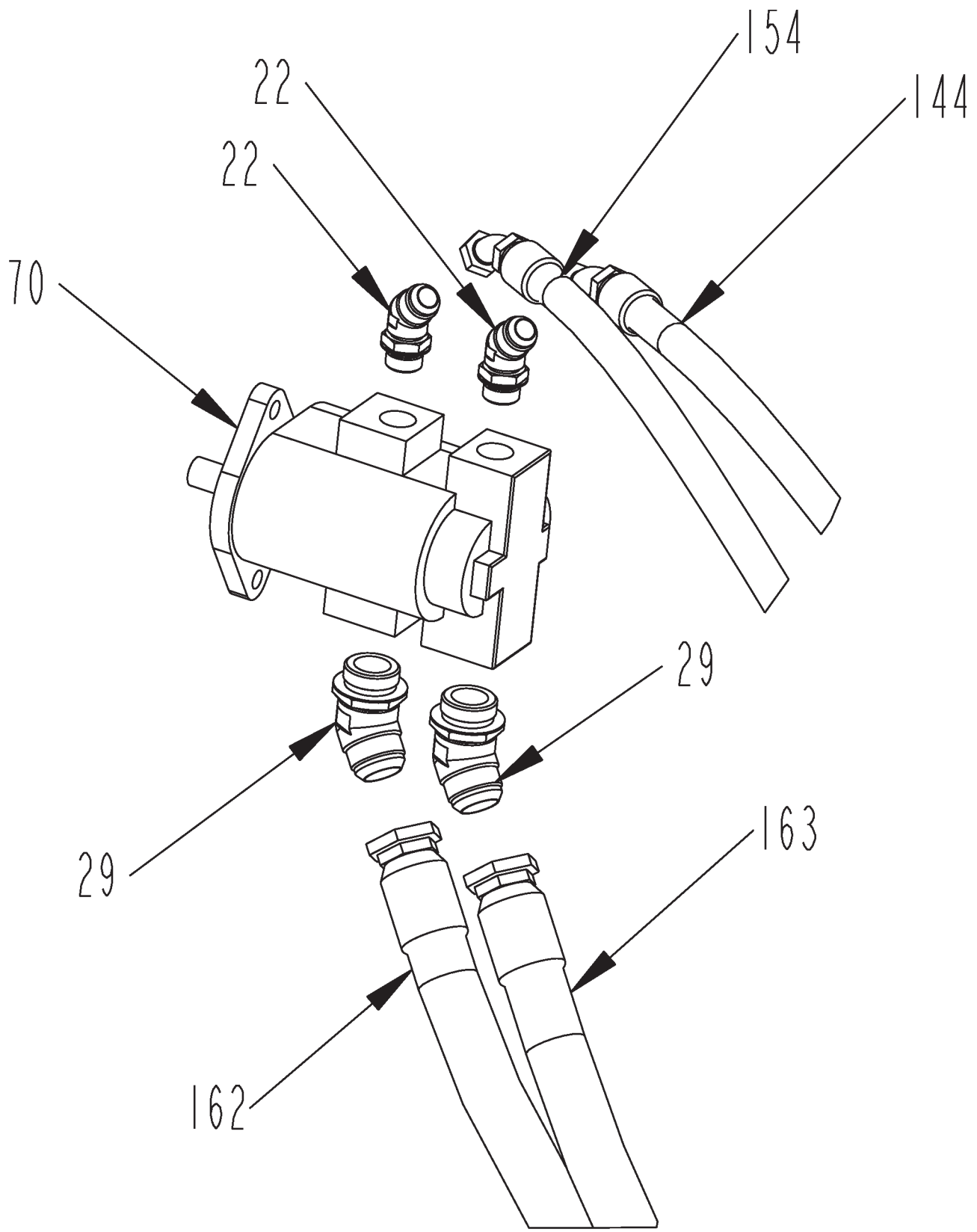
HYDRAULIC TANK 3010 TRACK - VIEW 3 (S.N. 3130 & UP)



HYDRAULIC TANK 3010 TRACK - VIEW 3 (S.N. 3130 & UP)

ITEM	PART	QTY.	PART DESCRIPTION
85	4705307	1	TANK\OIL\3010
162	3701544	1	HOSE\HYD\1-1/4X92\1-5/8FJICX1/5/8FJIC\90 TANK TO GEAR PUMP SUCTION PORT
163	3701545	1	HOSE\HYD\1-1/4X74\1-5/8FJICX1/5/8FJIC\90 TANK TO GEAR PUMP SUCTION PORT
256	3800740	2	VALVE\BALL\1-1/2\1-7/8FOR\1/4 TURNW/LOCK
257	3800808	2	FTG\1-7/8MORX1-5/8MJIC\ST
258	3800928	2	FTG\1-7/8MORX1-7/8MOR\90

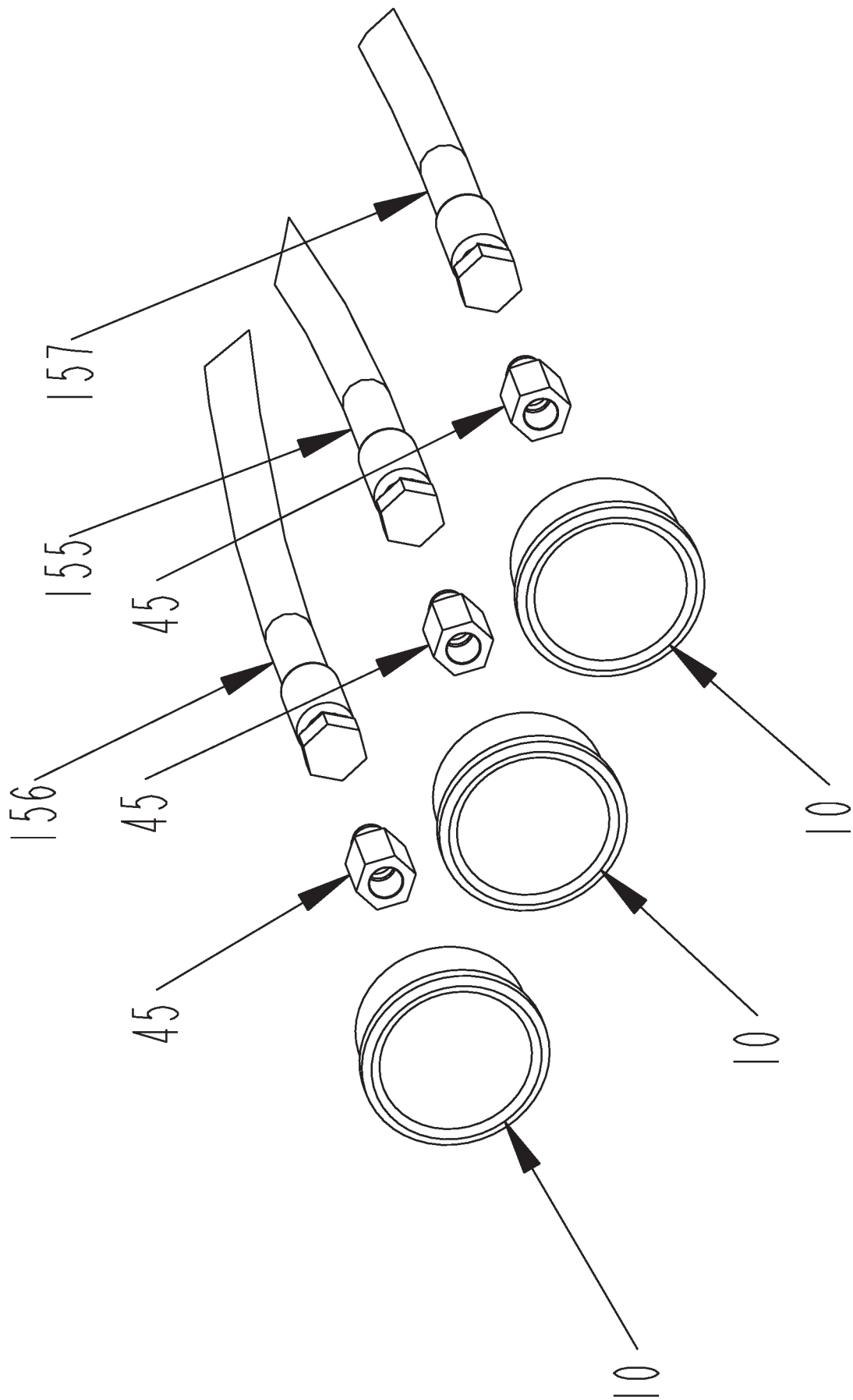
GEAR PUMP AUXILIARY/TUB 3010 TRACK



GEAR PUMP AUXILIARY/TUB 3010 TRACK

ITEM	PART	QTY.	PART DESCRIPTION
FOR SN UP TO 3129			
22	3800532	4	FTG\1-1/16MORX1-1/16MJIC\45
29	3800581	2	FTG\1-5/8MORX1-5/8MJIC\45
70	4200083	1	PUMP\HYD\25/20\2.33X1.78\LH
144	3700893	1	HOSE\HYD\3/4X148\1-1/16FJX1-1/16FJC45DEG PORT 1 CONV VALVE TO REAR PUMP PORT
154	3700701	1	HOSE\HYD\3/4X117\1-1/16FJX1-1/16FJC45DEG AUX VALVE TO FRONT PORT GEAR PUMP
162	HOSE_68_3010_TRACK	1	TANK TO GEAR PUMP SUCTION PORT
163	HOSE_69_3010_TRACK	1	TANK TO GEAR PUMP SUCTION PORT
FOR SN 3130 AND UP			
22	3800532	4	FTG\1-1/16MORX1-1/16MJIC\45
29	3800581	2	FTG\1-5/8MORX1-5/8MJIC\45
70	4200083	1	PUMP\HYD\25/20\2.33X1.78\LH
144	3700893	1	HOSE\HYD\3/4X148\1-1/16FJX1-1/16FJC45DEG PORT 1 CONV VALVE TO REAR PUMP PORT
154	3700701	1	HOSE\HYD\3/4X117\1-1/16FJX1-1/16FJC45DEG AUX VALVE TO FRONT PORT GEAR PUMP
162	3701544	1	HOSE\HYD\1-1/4X92\1-5/8FJICX1/5/8FJIC\90 TANK TO GEAR PUMP SUCTION PORT
163	3701545	1	HOSE\HYD\1-1/4X74\1-5/8FJICX1/5/8FJIC\90 TANK TO GEAR PUMP SUCTION PORT

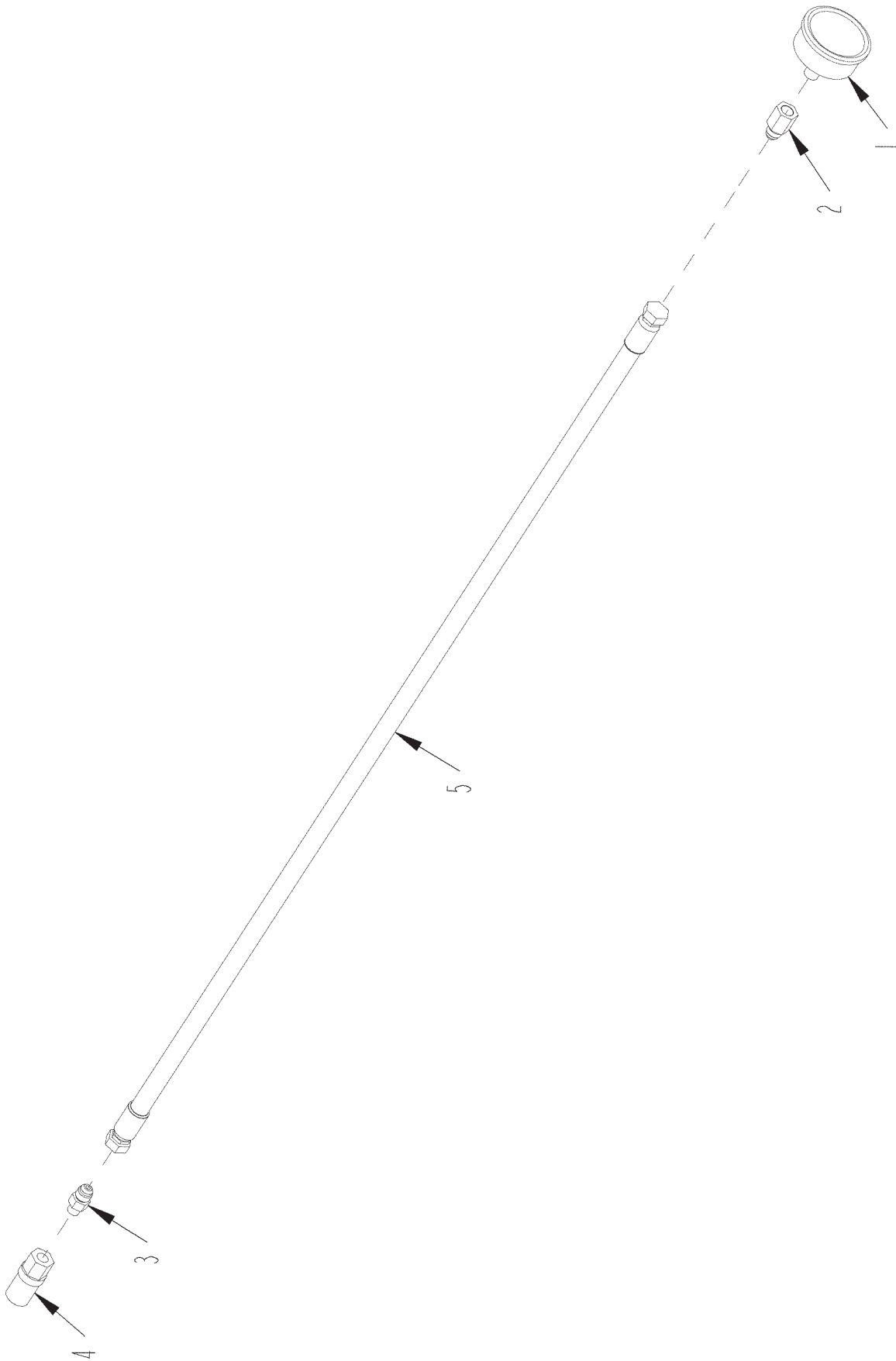
PRESSURE GAUGES 3010 TRACK



PRESSURE GAUGES 3010 TRACK

ITEM	PART	QTY.	PART DESCRIPTION
FOR SN UP TO 3129			
10	3800381	3	GAUGE\3000PSI\REAR STEM
45	3800758	3	FTG\9\16MJICX1\4FP\ADPT
155	3701542	1	HOSE\HYD\3\8X204\9\16FJICS CONV VALVE GP PORT TO GAUGE
156	3701542	1	HOSE\HYD\3\8X204\9\16FJICS CONV VALVE GP PORT TO GAUGE
157	3701542	1	HOSE\HYD\3\8X204\9\16FJICS AUX GAUGE PORT TO GAUGE
FOR SN 3130 AND UP			
10	3800381	3	GAUGE\3000PSI\REAR STEM
45	3800758	3	FTG\9\16MJICX1\4FP\ADPT
155	3700913	1	HOSE\HYD\3\8X34\9\16FJICS CONV VALVE GP PORT TO GAUGE
156	3700914	1	HOSE\HYD\3\8X42\9\16FJICS TUB VALVE TO GP TO GAUGE
157	3700915	1	HOSE\HYD\3\8X22\9\16FJIC AUX GAUGE PORT TO GAUGE
	3701550		HOSE\KIT\1155\PRESSURE_GAUGE
NOT SHOWN			
	4501922	1	GAUGE\BRKT

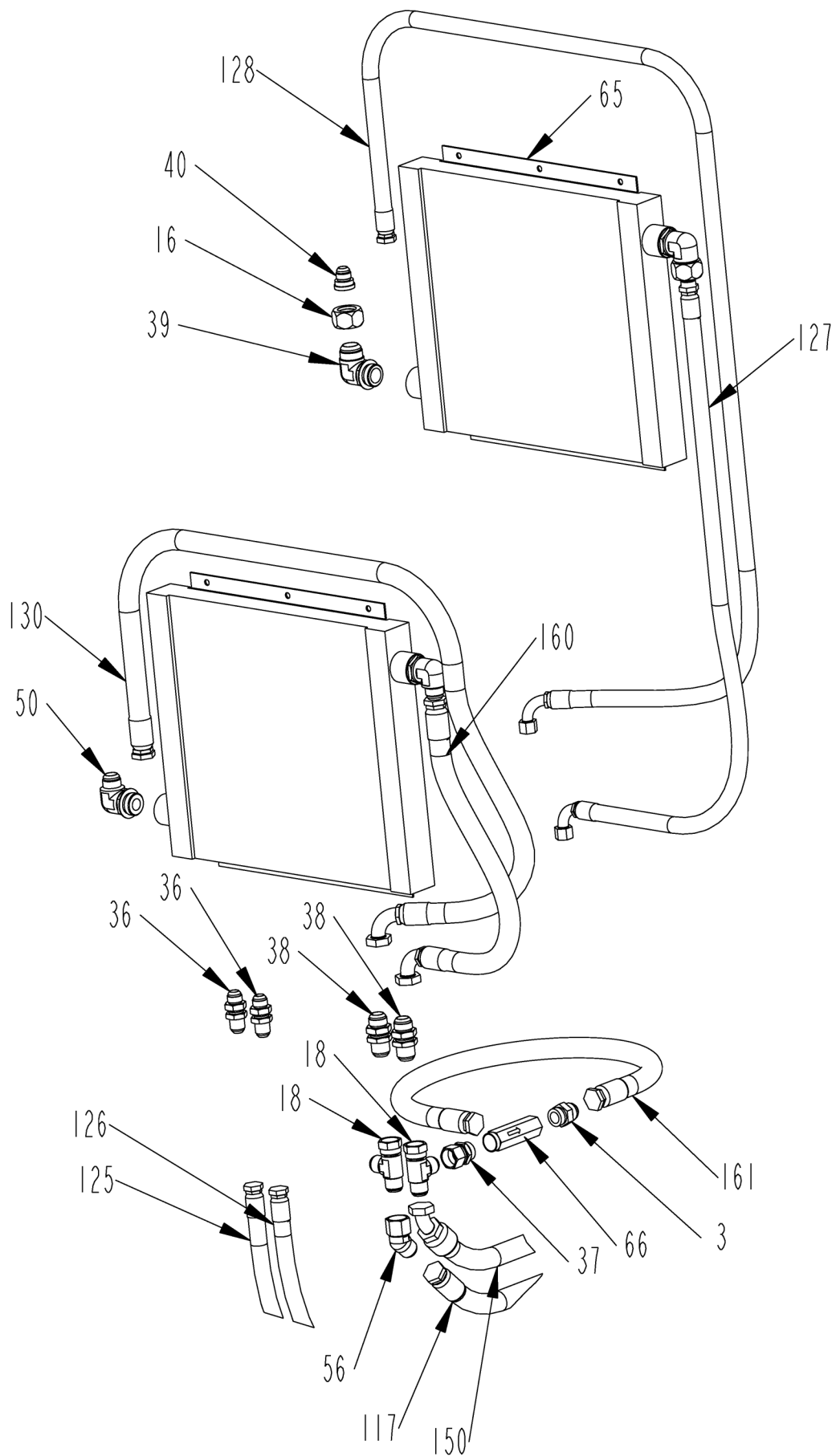
PRESSURE GUAGES (S.N. 3130 & UP)



PRESSURE GUAGES (S.N. 3130 & UP)

ITEM	PART	QTY.	PART DESCRIPTION
1	3800381	1	GAUGE\3000PSI\REAR STEM
2	3800758	1	FTG\9\16MJICX1\4FP\ADPT
3	3800763	1	FTG\7\16MORX9\16MJIC\ST
4	3800976	1	FTG\7\16FOR\DIAG\FEMALE;QUICK;CPLR
5	3700914	1	HOSE\HYD\3\8X42\9\16FJICS

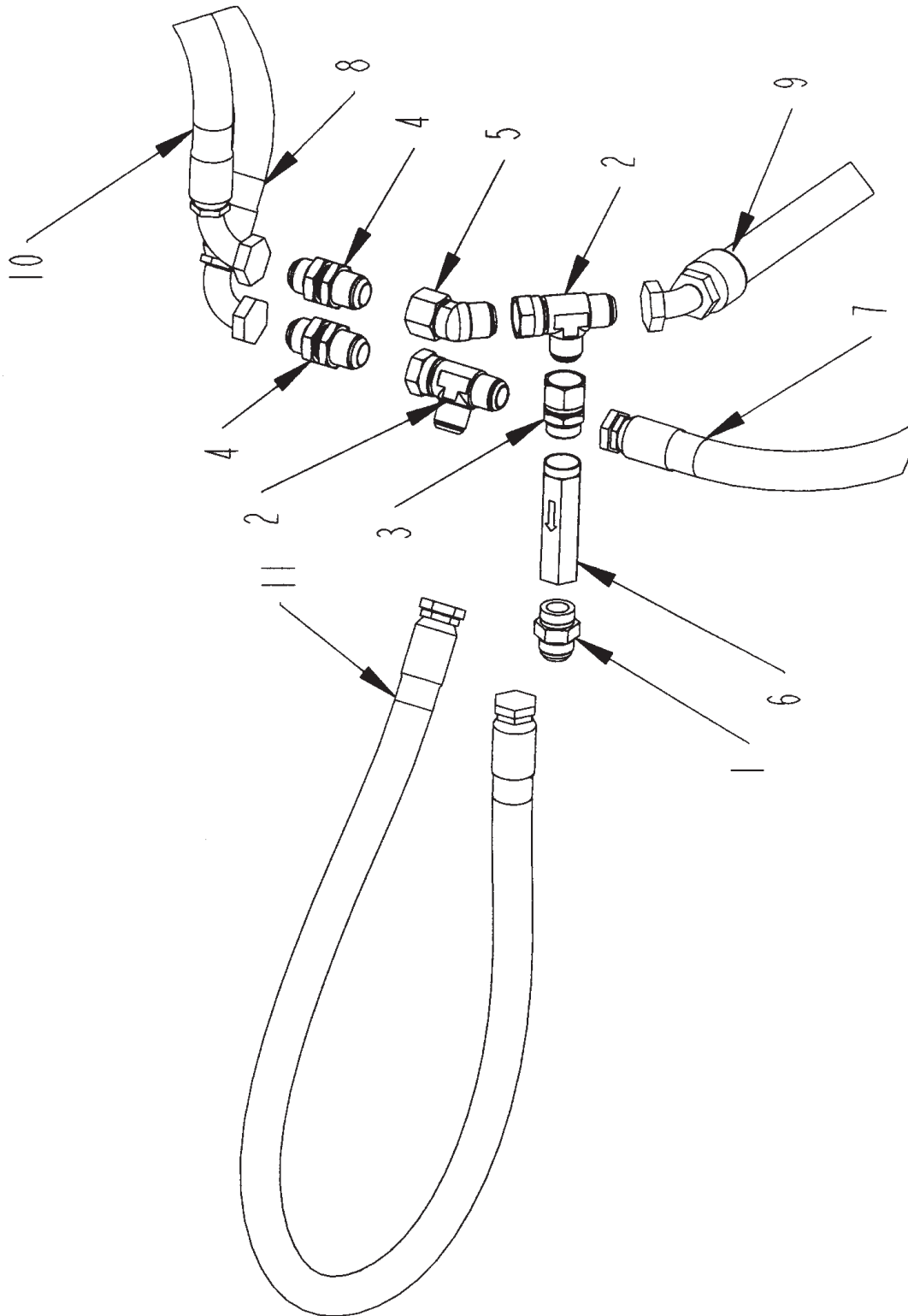
OIL COOLERS 3010 TRACK



OIL COOLERS 3010 TRACK

ITEM	PART	QTY.	PART DESCRIPTION
3	3800274	1	FTG\1-5/16MORX1-5/16MJIC\ST
16	3800488	2	FTG\1-5/8NUTFJICS
18	3800497	3	FTG\1-5/16FJICX1-5/16MJICX1-5/16MJIC\RUN;TEE
36	3800725	2	FTG\1-1/16MJICX1-1/16MJC\BULKHEAD
37	3800727	1	FTG\1/5/16MORX1-5/16FJIC\SW
38	3800733	2	FTG\1-5/16MJICX1-5/16MJC\BULKHEAD
39	3800741	2	FTG\1-5/8MORX1-5/8MJIC\90
40	3800743	2	FTG\1-5/8FJICX1-1/16MJIC\ADPT
50	3800794	2	FTG\1-5/8MORX1-5/16MJIC\90
56	3800806	1	FTG\1-5/16MJICX1-5/16FJIC\45
65	4000219	2	RAD\HYD\23X19\1-1/16"-1
66	4000232	1	VALVE\RELIEF\65PSI\1-16PRT
117	3701538	1	HOSE\HYD\1X158\1-5/16FJICX1-5/16FJIC\90 COOLER BULKHEAD TO LH FILTER
125	3701527	1	HOSE\HYD\3/4X164\1-1/16FJICX1-1/16FJIC TO COOLER PORT OF VALVE TO BULKHEAD
126	3701527	1	HOSE\HYD\3/4X164\1-1/16FJICX1-1/16FJIC FROM COOLER PORT OF VALVE TO BULKHEAD
127	3701519	1	HOSE\HYD\3/4X55\1-1/16FJICSX1-1/16FJIC90 UPPER PORT COOLER TO BULKHEAD
128	3701520	1	HOSE\HYD\3/4X103\1-1/16FJICSX1-1/16FJIC90 LOWER PORT COOLER TO BULKHEAD
130	3701540	1	HOSE\HYD\1X89\1-5/16FJICX1-5/16FJIC\90 LOWER PORT BOTTOM COOLER TO BULKHEAD
150	3701541	1	HOSE\HYD\1X144\1-1/16FJICX1-5/16FJIC\45 T PORT AUX VALVE TEES TO BULKHEAD
160	3700919	1	HOSE\HYD\1X32\1-5/16FJICX1-5/16FJIC90 UPPER PORT LOWER COOLER TO BULKHEAD
161	3701543	1	HOSE\HYD\1X31\1-5/16FJICX1-5/16FJIC BULKHEAD TEE TO RELIEF VALVE

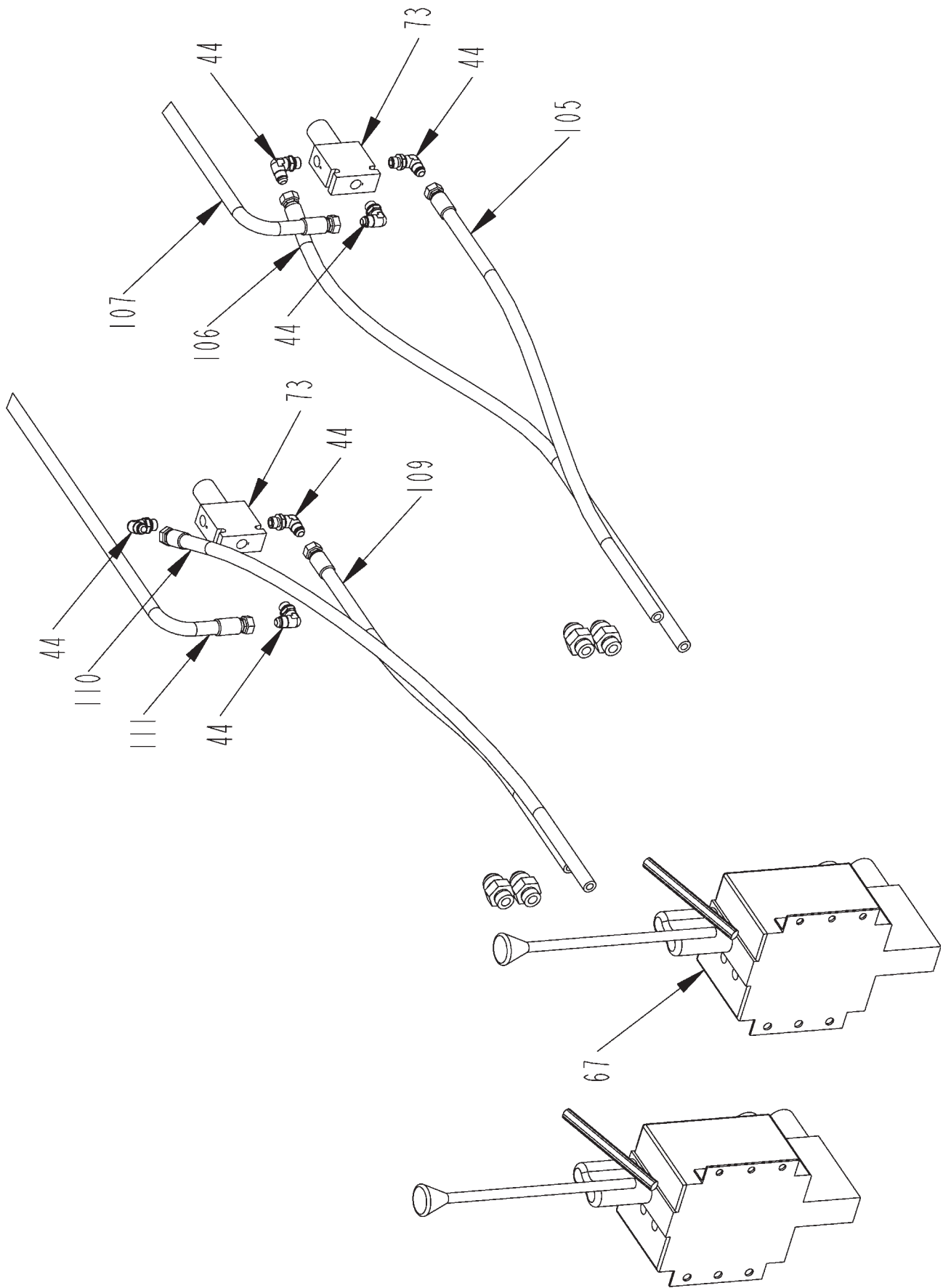
525 HP OIL COOLER BYPASS 3010 TRACK



525 HP OIL COOLER BYPASS 3010 TRACK

ITEM	PART	QTY.	PART DESCRIPTION
1	3800274	1	FTG\1-5/16MORX1-5/16MJIC\ST
2	3800497	2	FTG\1-5/16FJICX1-5/16MJICX1-5/16MJIC\RUN;TEE
3	3800727	1	FTG\1/5/16MORX1-5/16FJIC\SW
4	3800733	2	FTG\1-5/16MJICX1-5/16MJC\BULKHEAD
5	3800806	1	FTG\1-5/16MJICX1-5/16FJIC\45
6	4000232	1	VALVE\RELIEF\65PSI\16PRT
7	HOSE_23_3010T_525	1	COOLER BULKHEAD TO LH FILTER
8	HOSE_36_3010_TRACK	1	LOWER PORT BOTTOM COOLER TO BULKHEAD
9	HOSE_56_3010T_525	1	T PORT AUX VALVE TEES TO BULKHEAD
10	HOSE_66_3010_TRACK	1	UPPER PORT LOWER COOLER TO BULKHEAD
11	HOSE_67_3010T_525	1	BULKHEAD TEE TO RELIEF VALVE

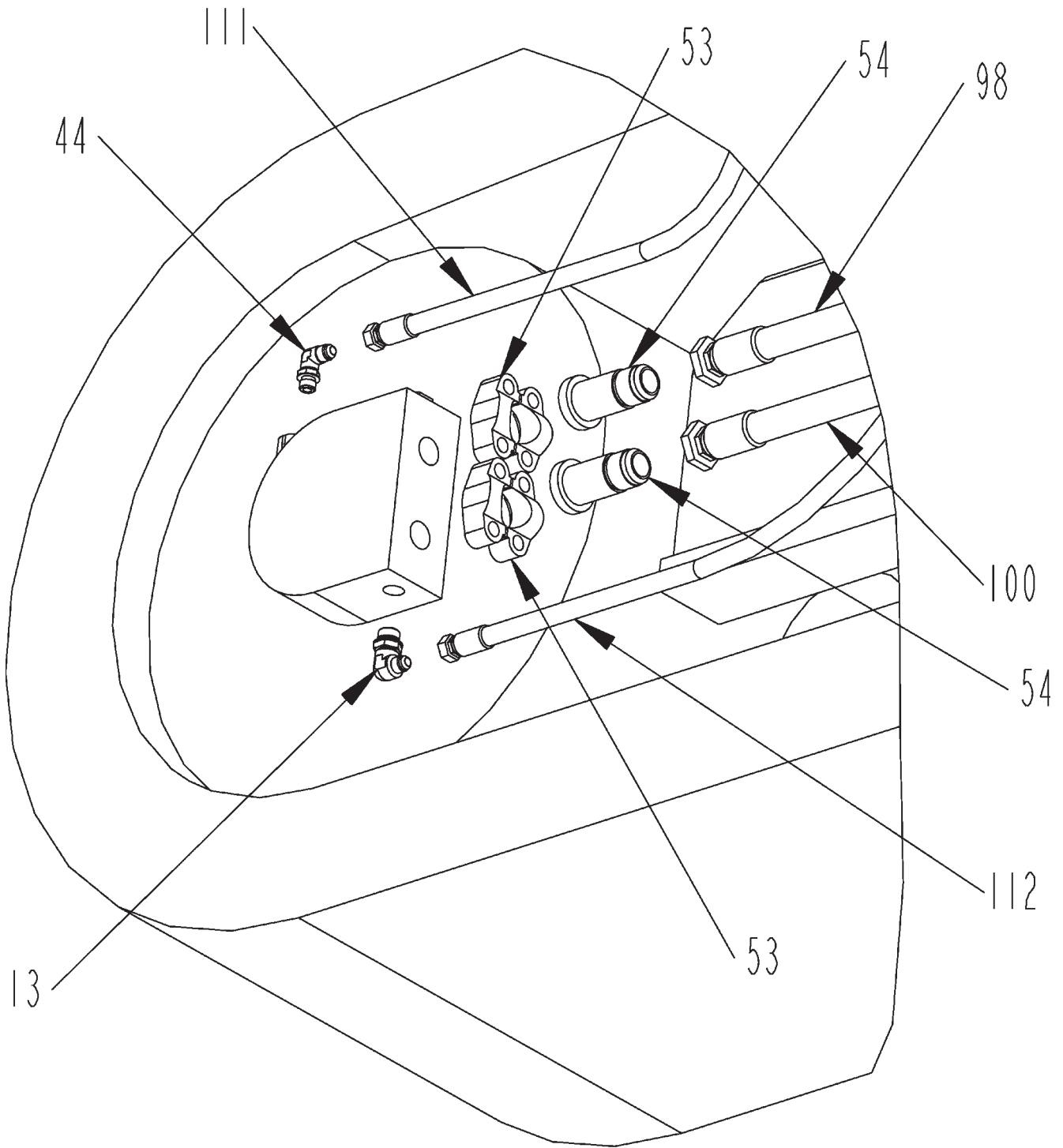
TRACK SHIFT VALVES 3010 TRACK



TRACK SHIFT VALVES 3010 TRACK

ITEM	PART	QTY.	PART DESCRIPTION
44	3800757	12	FTG\9\16MORX9\16MJIC\90
67	4000249	2	VALVE\HYD\1-SPL\PRPNTL
	4000341		VALVE\HYD\CART&SOL\PRPTNL, replacement coil & cartridge for 4000249
73	4200096	2	VALVE\BLOCK\DOUBLE\3GPM
105	3700913	1	HOSE\HYD\3\8X34\9\16FJICS TP PORT LH CONTROL VALVE TO PORT 2 SHIFT VALVE
106	3701532	1	HOSE\HYD\3\8X38\9\16FJXC9\16FJC90 PS PORT LH CONTROL VALVE TO PORT 3 SHIFT VALVE
107	3701533	1	HOSE\HYD\3\8X183\9\16FJICS PORT 1 LH SHIFT VALVE TO LH TRACK MOTOR
109	3700913	1	HOSE\HYD\3\8X34\9\16FJICS TP PORT RH CONTROL VALVE TO PORT 2 SHIFT VALVE
110	3701532	1	HOSE\HYD\3\8X38\9\16FJXC9\16FJC90 PS PORT RH CONTROL VALVE TO PORT 3 SHIFT VALVE
111	3701534	1	HOSE\HYD\3\8X176\9\16FJICS PORT 1 RH SHIFT VALVE TO RH TRACK MOTOR
NOT SHOWN			
	5700937	2	SWPRESS\700P\ADJ\1-6MOR (PL PORT)

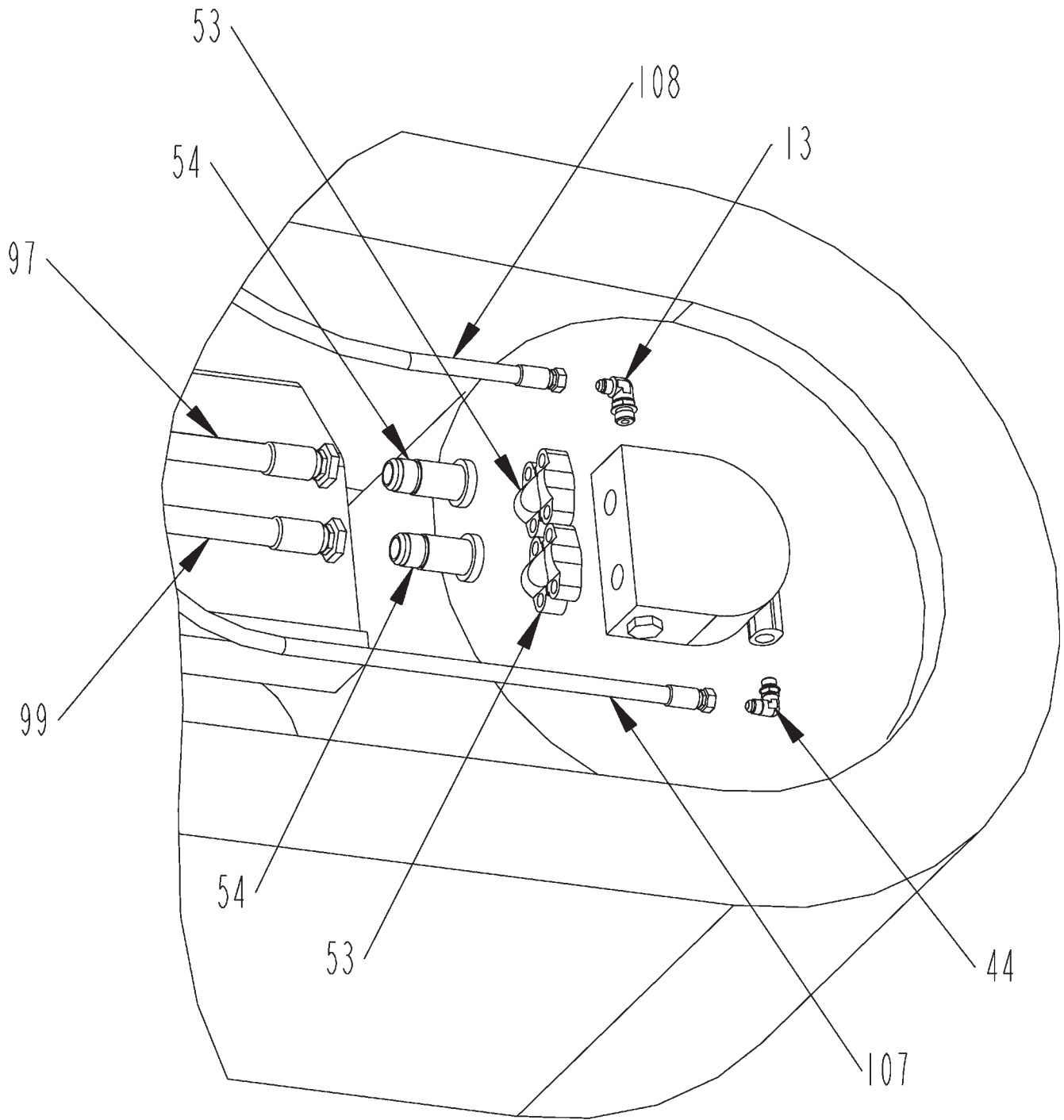
RH TRACK MOTOR 3010 TRACK



RH TRACK MOTOR 3010 TRACK

ITEM	PART	QTY.	PART DESCRIPTION
FOR SN UP TO 3129			
13	3800453	14	FTG\3/4MORX9/16MJIC\90
44	3800757	12	FTG\9/16MORX9/16MJIC\90
53	3800811	4	CLMP\FLANGE\SPLIT\#62\16
54	3800812	4	FTG\1-5/16MJICXSERIES62\ADPT
98	3701531	1	HOSE\HYD\3/4X200\1-1/16FJCX1-1/16FJC LOWER CENTER PORT RH CONTROL VALVE TO UPPER PORT TRACK MOTOR
100	3701531	1	HOSE\HYD\3/4X200\1-1/16FJCX1-1/16FJC UPPER CENTER PORT RH CONTROL VALVE TO LOWER PORT TRACK MOTOR
111	3701534	1	HOSE\HYD\3/8X176\9/16FJICS PORT 1 RH SHIFT VALVE TO RH TRACK MOTOR
112	HOSE_18_3010_TRACK	1	RH TRACK MOTOR CASE DRAIN TO RH TANK PORT
FOR SN 3130 AND UP			
13	3800453	14	FTG\3/4MORX9/16MJIC\90
44	3800757	12	FTG\9/16MORX9/16MJIC\90
53	3800811	4	CLMP\FLANGE\SPLIT\#62\16
54	3800812	4	FTG\1-5/16MJICXSERIES62\ADPT
98	3701531	1	HOSE\HYD\3/4X200\1-5/16FJCX1-1/16FJC LOWER CENTER PORT RH CONTROL VALVE TO UPPER PORT TRACK MOTOR
100	3701531	1	HOSE\HYD\3/4X200\1-5/16FJCX1-1/16FJC UPPER CENTER PORT RH CONTROL VALVE TO LOWER PORT TRACK MOTOR
111	3701534	1	HOSE\HYD\3/8X176\9/16FJICS PORT 1 RH SHIFT VALVE TO RH TRACK MOTOR
112	3701535	1	HOSE\HYD\3/8X146\9/16FJIC RH TRACK MOTOR CASE DRAIN TO RH TANK PORT

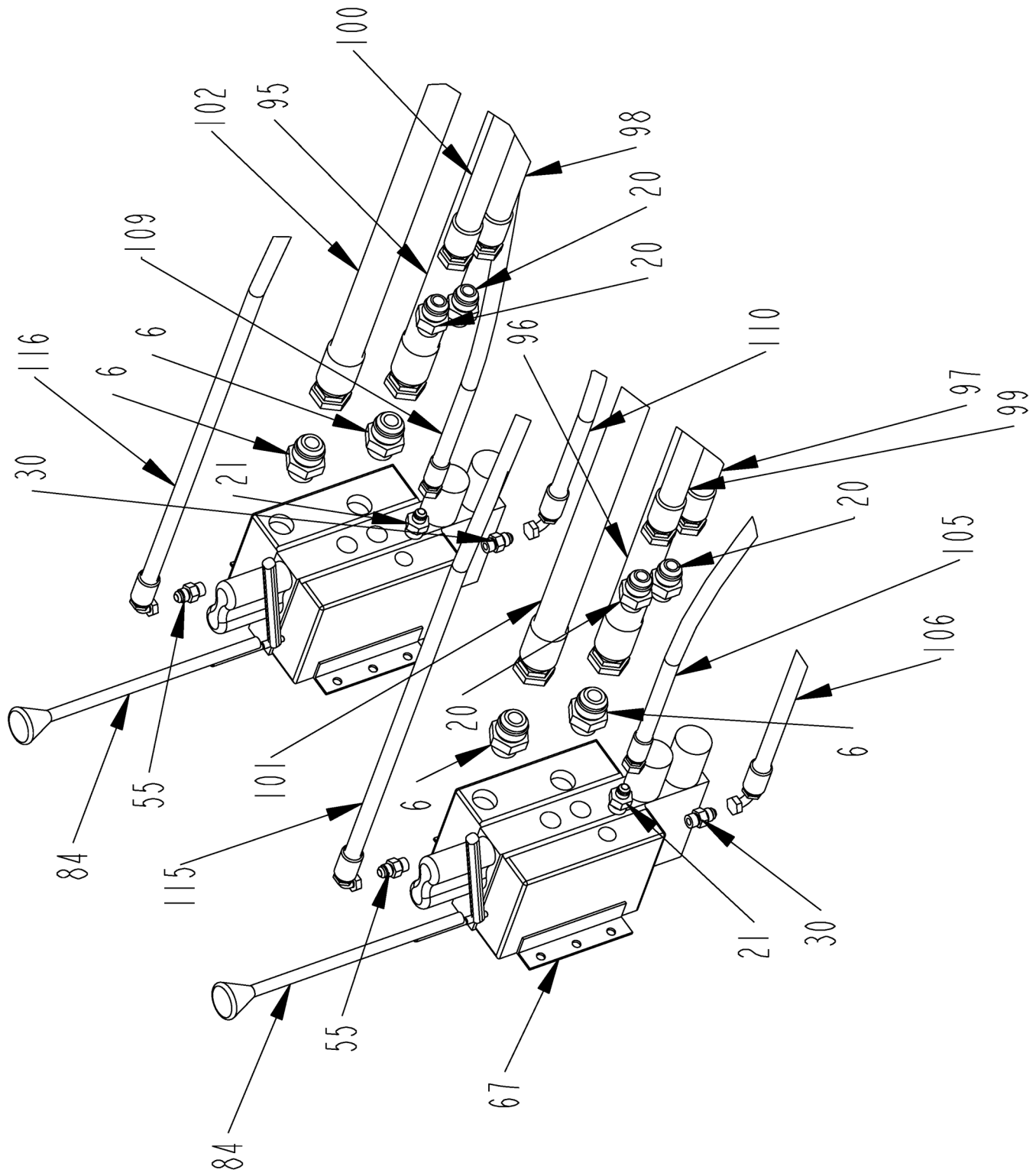
LH TRACK MOTOR 3010 TRACK



LH TRACK MOTOR 3010 TRACK

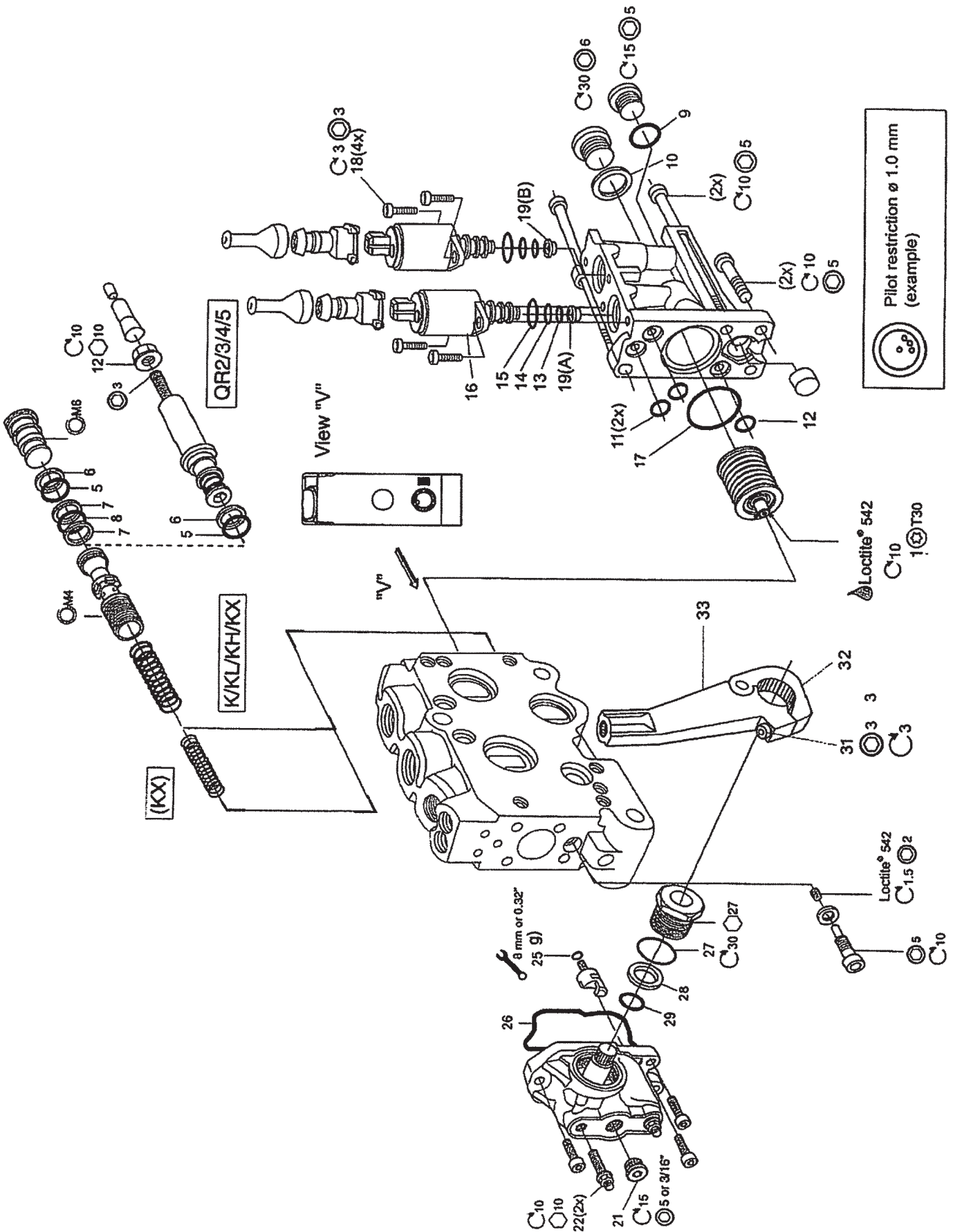
ITEM	PART	QTY.	PART DESCRIPTION
FOR SN UP TO 3129			
13	3800453	14	FTG\3\4MORX9\16MJIC\90
44	3800757	12	FTG\9\16MORX9\16MJIC\90
53	3800811	4	CLMP\FLANGE\SPLIT\#62\16
54	3800812	4	FTG\1-5\16MJICXSERIES62\ADPT
97	3701531	1	HOSE\HYD\3\4X200\1-1\16FJCX1-1\16FJC LOWER CENTER PORT LH CONTROL VALVE TO UPPER PORT TRACK MOTOR
99	3701531	1	HOSE\HYD\3\4X200\1-1\16FJCX1-1\16FJC UPPER CENTER PORT LH CONTROL VALVE TO LOWER PORT TRACK MOTOR
107	3701533	1	HOSE\HYD\3\8X183\9\16FJICS PORT 1 LH SHIFT VALVE TO LH TRACK MOTOR
108	HOSE_14_3010_TRACK	1	LH TRACK MOTOR CASE DRAIN TO LH TANK PORT
FOR SN 3130 AND UP			
13	3800453	14	FTG\3\4MORX9\16MJIC\90
44	3800757	12	FTG\9\16MORX9\16MJIC\90
53	3800811	4	CLMP\FLANGE\SPLIT\#62\16
54	3800812	4	FTG\1-5\16MJICXSERIES62\ADPT
97	3701531	1	HOSE\HYD\3\4X200\1-5\16FJCX1-1\16FJC LOWER CENTER PORT LH CONTROL VALVE TO UPPER PORT TRACK MOTOR
99	3701531	1	HOSE\HYD\3\4X200\1-5\16FJCX1-1\16FJC UPPER CENTER PORT LH CONTROL VALVE TO LOWER PORT TRACK MOTOR
107	3701533	1	HOSE\HYD\3\8X183\9\16FJICS PORT 1 LH SHIFT VALVE TO LH TRACK MOTOR
108	3701233	1	HOSE\HYD\3\8X140\9\16FJIC LH TRACK MOTOR CASE DRAIN TO LH TANK PORT

TRACK CONTROL VALVES 3010 TRACK



TRACK CONTROL VALVES 3010 TRACK

ITEM	PART	QTY.	PART DESCRIPTION
6	3800294	4	FTG\1-5/16MORX1-1/16MJIC\ST
20	3800527	10	FTG\7/8MORX1-1/16MJIC\ST
21	3800530	6	FTG\3/4MORX9/16MJIC\ST
30	3800631	4	FTG\9/16MORX9/16MJIC\ST
55	3800850	2	FTG\9/16MORX9/16MJIC\ORF-CHECK
67	4000249	2	VALVE\HYD\1-SPL\PRPNTL
	4000341		VALVE\HYD\CART&SOL\PRPTNL, replacement coil & cartridge for 4000249
84	4000250	2	VALVE\HANDLE\ASSY\ML1
95	3701529	1	HOSE\HYD\1X198\1-5/16FJICX1-5/16FJIC\90 T PORT RH CONTROL VALVE TO RUN RIGHT FILTER TEE
96	3701530	1	HOSE\HYD\1X198\1-5/16FJICX1-5/16FJIC T PORT LH CONTROL VALVE TO BRANCH RIGHT FILTER TEE
97	3701531	1	HOSE\HYD\3/4X200\1-1/16FJICX1-1/16FJIC LOWER CENTER PORT LH CONTROL VALVE TO UPPER PORT TRACK MOTOR
98	3701531	1	HOSE\HYD\3/4X200\1-1/16FJICX1-1/16FJIC LOWER CENTER PORT RH CONTROL VALVE TO UPPER PORT TRACK MOTOR
99	3701531	1	HOSE\HYD\3/4X200\1-1/16FJICX1-1/16FJIC UPPER CENTER PORT LH CONTROL VALVE TO LOWER PORT TRACK MOTOR
100	3701531	1	HOSE\HYD\3/4X200\1-1/16FJICX1-1/16FJIC UPPER CENTER PORT RH CONTROL VALVE TO LOWER PORT TRACK MOTOR
101	3701057	1	HOSE\HYD\1X180\1-5/16FJIC\1FLGX1BARB\HEW\FRRL\CODE61 P PORT LH CONTROL VALVE TO LH PUMP
102	3701057	1	HOSE\HYD\1X180\1-5/16FJIC\1FLGX1BARB\HEW\FRRL\CODE61 P PORT RH CONROL VALVE TO RH PUMP
105	3700913	1	HOSE\HYD\3/8X34\9/16FJICS TP PORT LH CONTROL VALVE TO PORT 2 SHIFT VALVE
106	3701532	1	HOSE\HYD\3/8X38\9/16FJICX9/16FJC90 PS PORT LH CONTROL VALVE TO PORT 3 SHIFT VALVE
109	3700913	1	HOSE\HYD\3/8X34\9/16FJICS TP PORT RH CONTROL VALVE TO PORT 2 SHIFT VALVE
110	3701532	1	HOSE\HYD\3/8X38\9/16FJICX9/16FJC90 PS PORT RH CONTROL VALVE TO PORT 3 SHIFT VALVE
115	3701537	1	HOSE\HYD\3/8X182\9/16FJICX9/16FJC90 LS PORT LH CONTROL VALVE TO LS PORT LH PUMP
116	3701537	1	HOSE\HYD\3/8X182\9/16FJICX9/16FJC90 LS PORT RH CONTROL VALVE TO LS PORT RH PUMP
NOT SHOWN			
	5700931	2	SWPRESS\700P\ADJ\6MOR (PL PORT)



4000249 CENTER SECTIONS

4000341 VALVE\HYD\CAR&SOL\PRPRTN

16 1 CARTRIDGE, SOLENOID AND SEALS

18 2 SCREWS

19 1 ORIFICE

Note - replacement orifice is not the same size as the original orifice.

Reuse original orifice if possible

4000488 VALVE\HYD\KIT\SEAL\CAR&SOL\PRPRTNL

13 1 O-ring

14 1 O-ring

15 1 O-ring

4000489 VALVE\HYD\KIT\SEAL\CAR\END;SECTION

9 1 O-ring

10 1 Seal

11 2 O-ring

12 1 O-ring

17 1 O-ring

4000490 VALVE\HYD\KIT\SEAL\COMPENSATOR

5 1 O-ring

6 1 O-ring

7 2 O-ring

8 1 O-ring

4000494 VALVE\HYD\KIT\SEAL\ECH END

21 1 plug

22 1 nut

25 1 O-ring

26 1 seal

27 2 O-ring

28 3 seal

29 4 O-ring

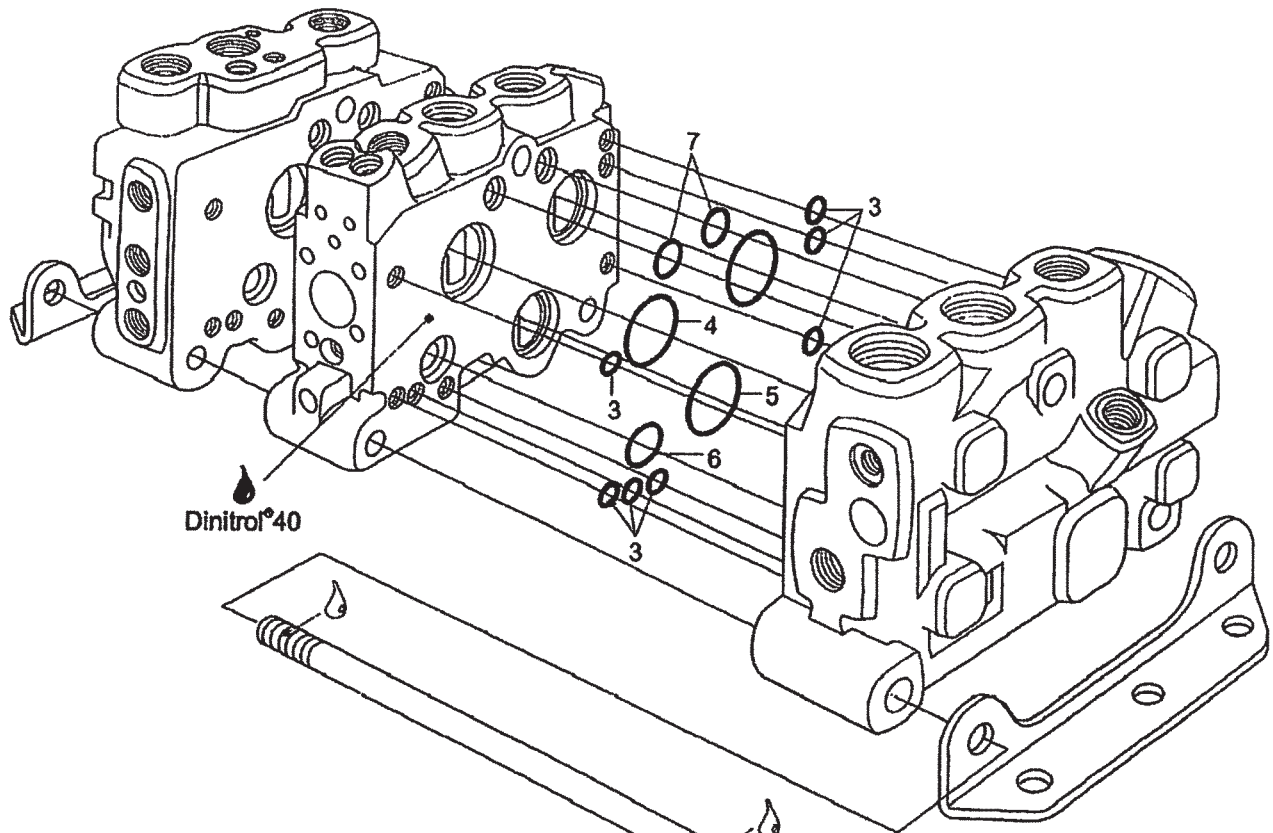
4000401 VALVE\HANDLE\CLAMP\L90LS

31 1 screw

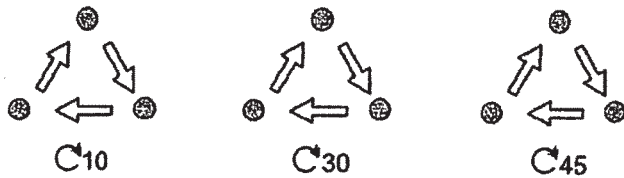
32 1 clamp

33 1 lever

4000249 TIE ROD AND END SECTION



To be tightened in 3 steps: 10 Nm, 30 Nm, 45 Nm

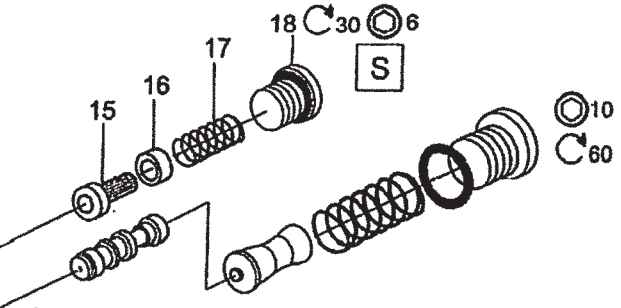


C45
(6x) 16

12 or 9/16"
C100

T3B

"V"



LSPB

6 or 1/4"
C30

R

G, R

View "V"

4000249 TIE ROD AND END SECTION

4000491 VALVE\HYD\KIT\SEAL&STRAINER

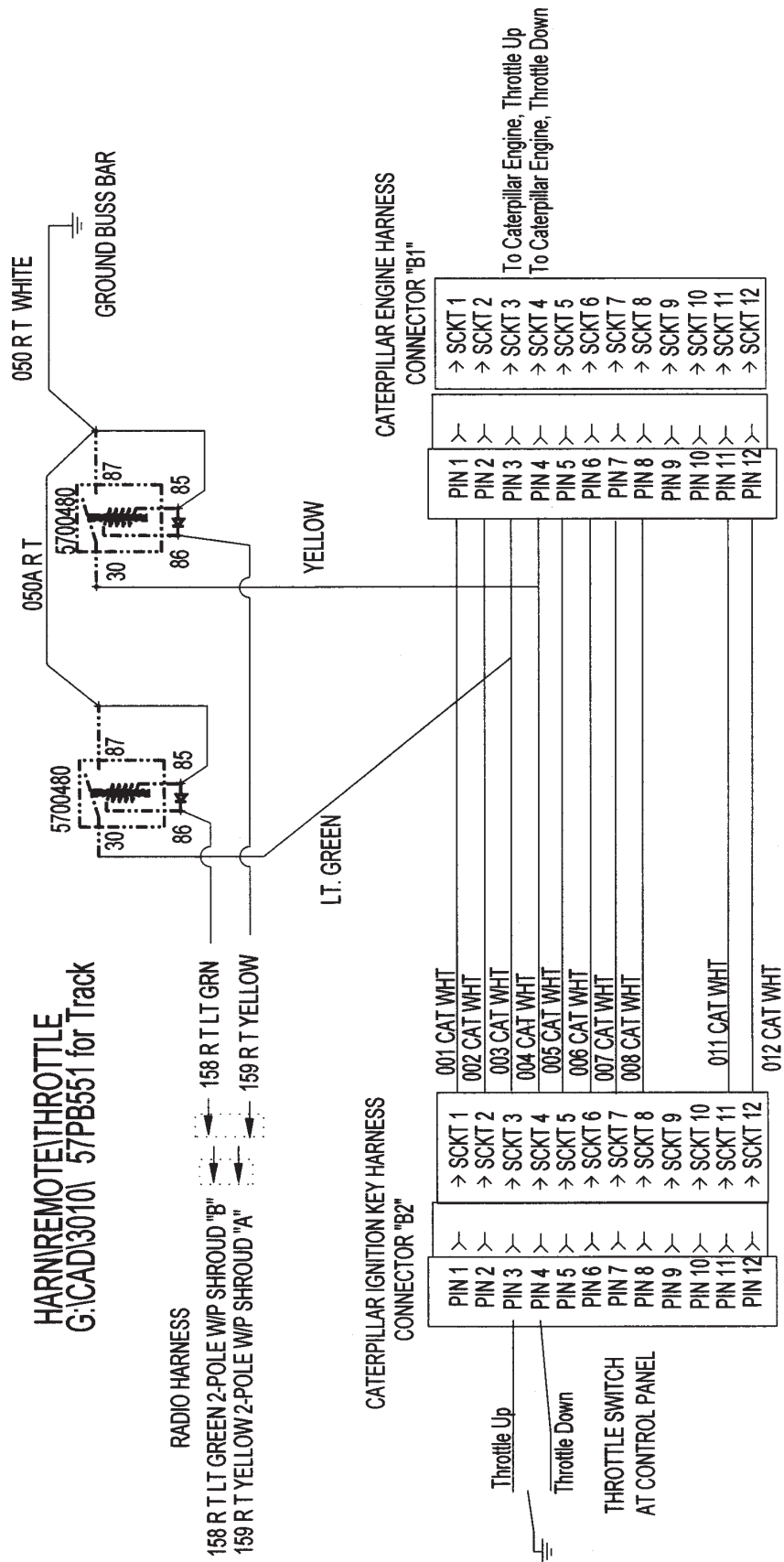
15	1 strainer
16	1 spacer
17	1 spring
18	1 plug

Note - The strainer (#15) can be removed and flushed to remove contaminants. If it is damaged, replace the strainer

4000492 VALVE\HYD\KIT\BETWEEN SECTIONS

3	7 O-ring
4	2 O-ring
5	1 O-ring
6	1 O-ring
7	2 O-ring

THROTTLE HARNESS RADIO REMOTE 3010 TRACK





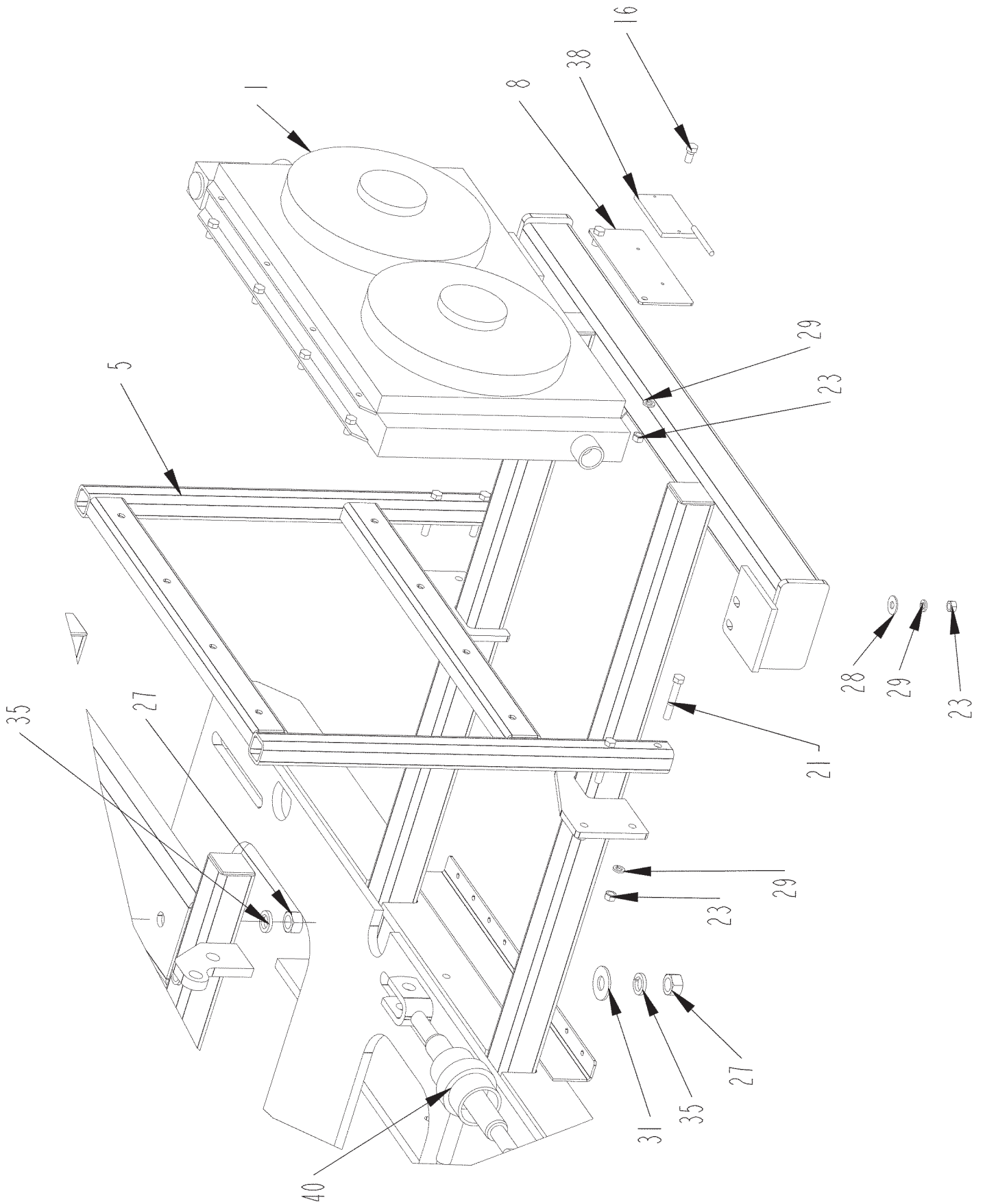
3010 WEAR PARTS

<u>DESCRIPTIONS</u>	<u>PART NUMBER</u>	<u>WHERE TO FIND</u>
RODS	5300115	PG. 35
HAMMER SHANK 1 BOLT	5200136	PG. 35
HAMMER TIPS 1 BOLT	5200132	PG. 35
ROTOR BEARING	2000549	PG. 35, 37, 337
ROTOR BEARING	2000550	PG. 35, 37, 337
BEARING SEAL	2000551	PG. 37
 <u>SCREENS</u>		
1"	4701696	PG. 41, 43
1 1/2"	4702621	PG. 41, 43
2"	4701521	PG. 41, 43
3"	4701522	PG. 41, 43
4"	4701523	PG. 41, 43
5 X 7	4701524	PG. 41, 43
6 X 8	4701823	PG. 41, 43
 <u>CONVEYOR</u>		
BELLY BELT	1700187	PG. 47, 49
ENDLESS BELLY BELT	1700187	PG. 47, 49
BELLY BELT SEAL - BULK	1700166	PG. 39,41,43
BELLY BELT SEAL	4501324 & D1016860 (S. N. 3000 - 3019)	PG. 41
BELLY BELT SEAL	4501324 & D1019426 (S. N. 3020 & up)	PG. 43, 45
BELT SCRAPER - PLASTIC	4702644	PG. 47, 49
DISCHARGE BELT	1700173	PG. 51, 53, 55
BELT SCRAPER - PLASTIC	4703444	PG. 51, 53, 55, 253
 <u>TUB DRIVE</u>		
CHAIN	1100243	PG. 29
TUB ROLLER PARTS	4704119	PG. 31
PRESSURE ROLLER PARTS	4702593	PG. 17, 19, 21, 23, 33
LOWER DISCHARGE BEARINGS	2000303	PG. 47, 51, 53, 55, 253
UPPER DISCHARGE BEARINGS	2000320	PG. 47, 59, 61, 253
STANDARD HYDRAULIC OIL ELEMENT	4400096	PG. 109, 137
TRACK OPTION HYDRAULIC OIL ELEMENT	4400074	PG. 107, 110, 137, 217, 231, 256, 260, 297, 299, 301
HPTO FLUID CLUTCH FILTER	4400073	PG. 141, 145, 147, 256, 258, 260, 263, 285
ENGINE OIL ELEMENT	4400029	
ENGINE PRIMARY FUEL/WATER SEPARATOR	4400094	
SECONDARY FUEL FILTER	4400030	
AIR PRIMARY ELEMENT	4400122	PG. 99
AIR SECONDARY ELEMENT	4400123	PG. 99
MUFFLER	7500875	PG. 97, 99

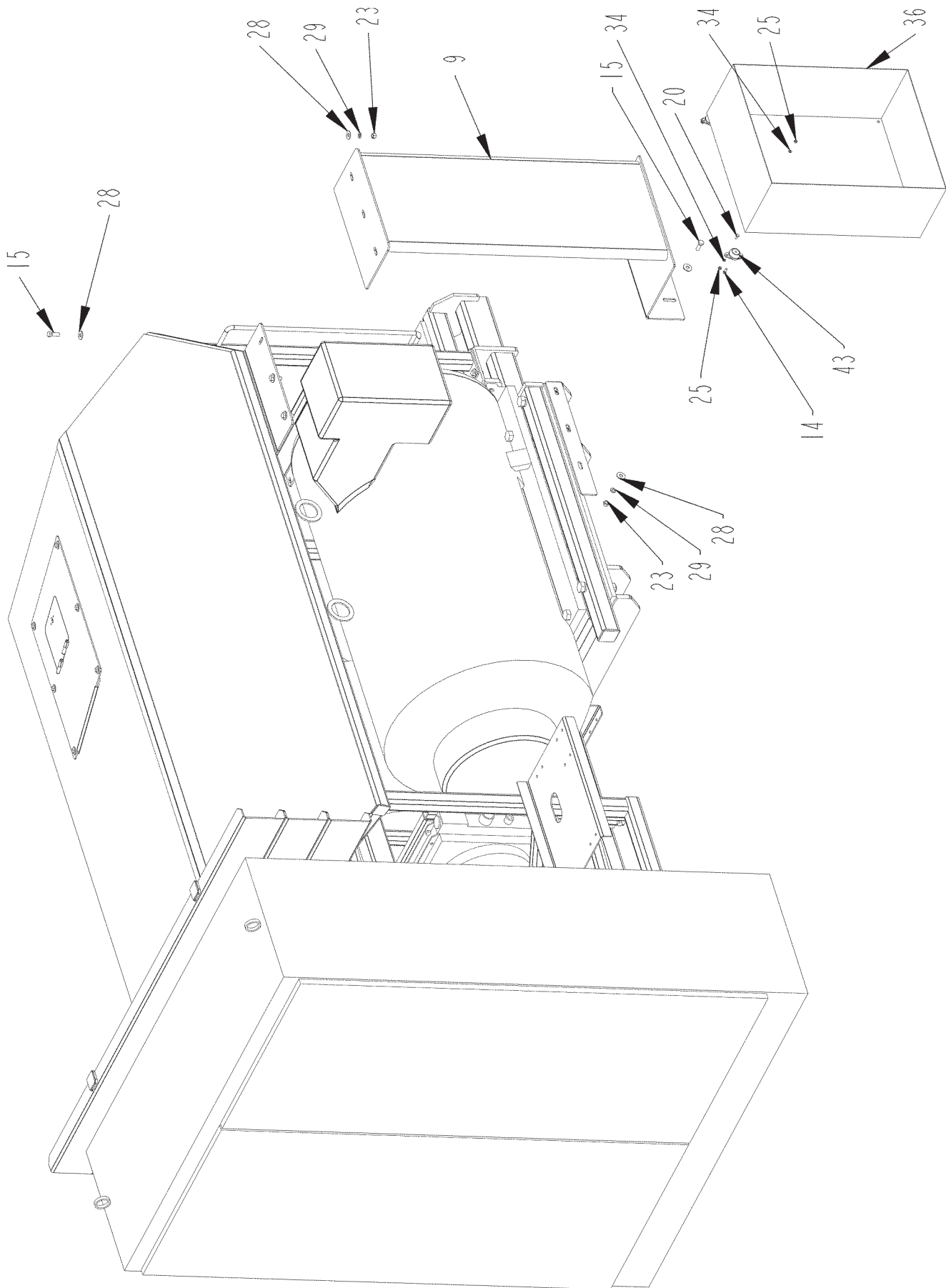


3010TM
Tub Grinder Stationary
Electric Supplement
Parts Reference

MOTOR FRAME ASSEMBLY - DETAIL A



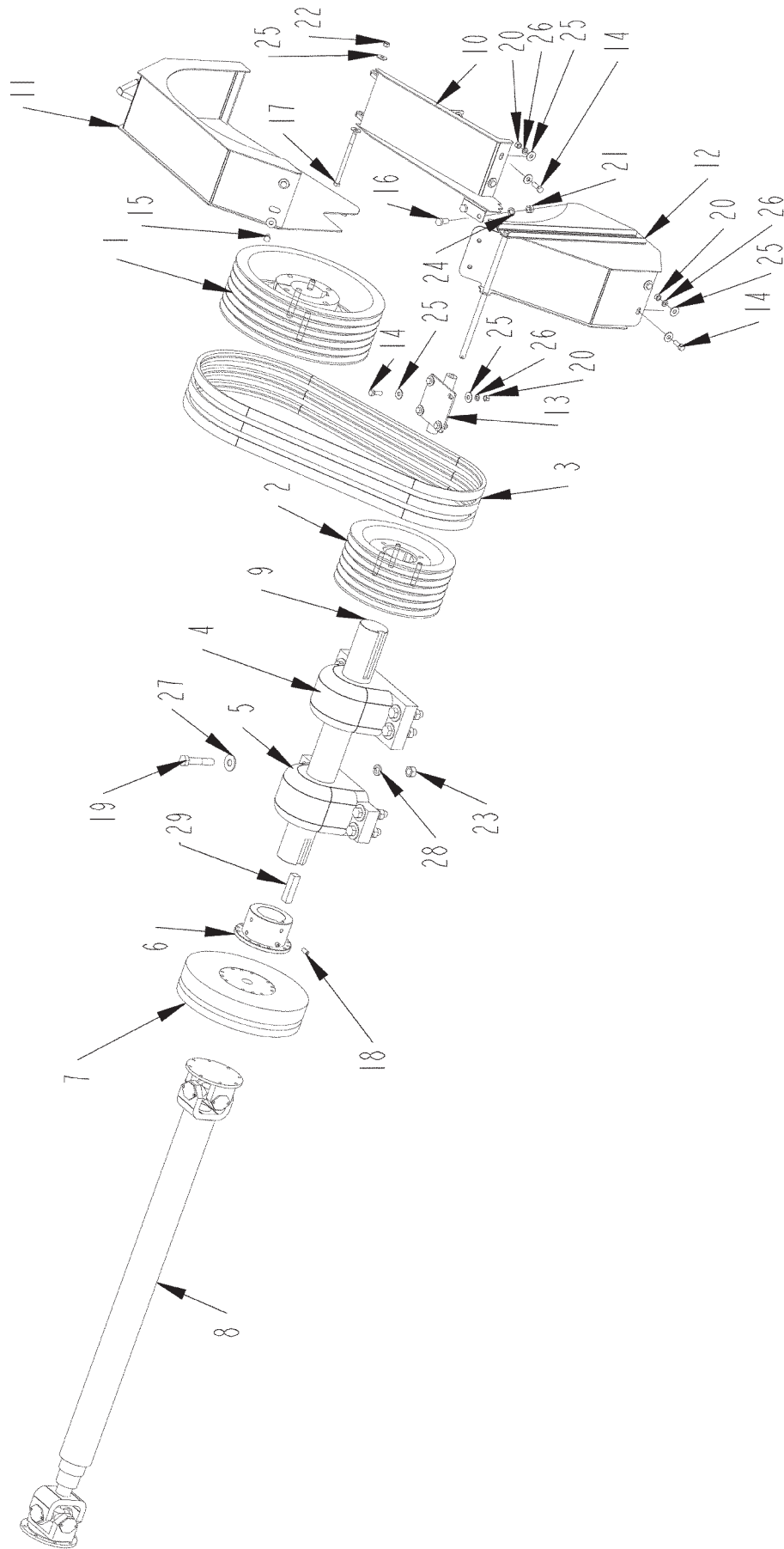
MOTOR FRAME ASSEMBLY - MOTOR HOUSING



MOTOR FRAME ASSEMBLY - PARTS LIST

ITEM	PART	QTY.	PART DESCRIPTION
1	4200154	1	RAD\HYD\CMF1000\DCS60\12VDC
2	4200160	1	PUMP\HYD\25/20\2.67X2.35
3	4502256	1	CVR\LH\TANK\OIL
4	4702287	1	SHIM\LATCH\SLAM\7GA
5	4704233	1	BRKT\COOLER
6	4704796	1	ASSY\TANK\OIL\2009T
7	4704915	1	CVR\HOLE\ACCSS
8	4705014	1	BRKT\CNTRL\FAN\KARTECH
9	4705055	1	SHIELD\DEBRIS\ELEC
10	4705147	1	FRM\MTR\ELEC\3010
11	4705148	1	FRM\TNSNR\MTR\ELEC
12	4705150	1	CVR\MTR\ELEC\3010
13	4800011	8	BOLT\HEX\3/4X3-1/2
14	4800024	2	BOLT\HEX\1/4X3/4
15	4800082	14	BOLT\HEX\1/2X1-1/2
16	4800085	10	BOLT\HEX\1/2X1
17	4800140	4	BOLT\HEX\1X3\NC
18	4800160	6	BOLT\HEX\7/16X1-1/4
19	4800178	2	BOLT\HEX\1/2X1-3/4
20	4800503	4	BOLT\HEX\1/4X5/8\NC
21	4800592	4	BOLT\HEX\1/2X3-1/4
22	4800633	4	BOLT\HEX\1X5-1/2\NC\GR5\PLT
23	4900001	38	NUT\HEX\1/2\NC
24	4900004	10	NUT\HEX\3/4\NC
25	4900009	6	NUT\HEX\1/4\NC
26	4900025	6	NUT\HEX\7/16\NC
27	4900031	8	NUT\HEX\1\NC
28	5000004	44	WASH\FLAT\1/2
29	5000006	38	WASH\LOCK\1/2
30	5000012	10	WASH\LOCK\3/4
31	5000014	4	WASH\FLAT\1
32	5000015	6	WASH\LOCK\7/16
33	5000016	12	WASH\FLAT\7/16
34	5000024	6	WASH\LOCK\1/4
35	5000053	8	WASH\LOCK\1
36	5700865	1	PKG\STRTR\TECO\380/50\75
37	5700867	1	MTR\ELEC\75HP\TECO\50HZ\380V
38	5700896	1	CNTRL\FAN\KARTECH\12&24VDC
39	5700981	1	PKG\STRTR\TECO\380/50\600HP
40	5800619	2	JACK\RATCHET\20\CLOSED
41	7500688	1	LATCH\SLAM\HEX\2100H
42	7501390	1	CPL6\H56\PUMP\MTR\ELECTRIC INCLUDES 7501418, 7501419, 7501420,7501421
43	7501406	2	CUSH\RBBR\3-1/8X1-3/4X1\5/16UNC
44	5700980	1	MTR\ELEC\600HP\380V\TECO

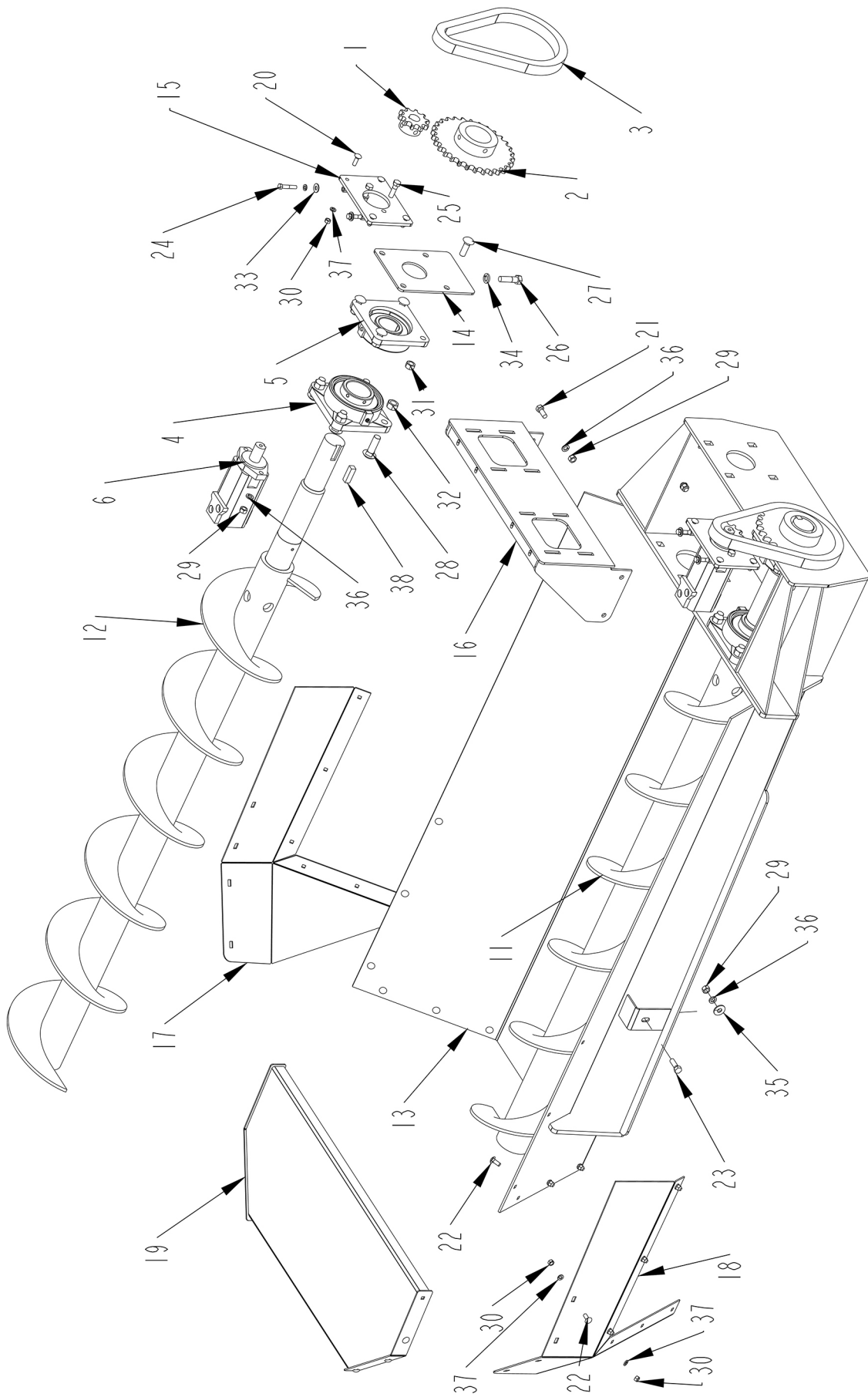
JACK SHAFT AND BELT COVER ASSEMBLY



JACK SHAFT AND BELT COVER ASSEMBLY

ITEM	PART	QTY.	PART DESCRIPTION
1	1400661	1	SHVE\8V-6\21.2\DYNAMIC
2	1400662	1	SHVE\8V-6\15\DYNAMIC
3	1600106	3	V-BELT\2-8VP1000\2-BAND
4	2000549	1	BRG\PB\4\SKF\DUCTILE\ADPT;MNT\SPHERICAL
5	2000550	1	BRG\PB\4\SKF\DUCTILE\CARB\ADPT;MNT
6	3600332	1	FLG\4IDX4L\1810\DRLIN\HUB
7	3600383	1	TORQUE\LMTR\650HP\
8	3600448	1	1810 DRIVELINE 68.25" COMP.
9	4705149	1	SHAFT\DR\ELEC\3010
10	4705439	1	CVR\BTM\DRV\BELT
11	4705440	1	CVR\TOP\DRV\BLT
12	4705441	1	CVR\RGHT\DRV\BLT
13	4705442	1	FRM\PVT\GRD\BLT
14	4800082	10	BOLT\HEX\1/2X1-1/2
15	4800085	2	BOLT\HEX\1/2X1
16	4800106	2	BOLT\HEX\5/8X1-1/2
17	4800262	1	BOLT\HEX\1/2X7-1/2
18	4800323	2	SCR\SET\AL1/2X1\NC
19	4800926	8	BOLT\HEX\7/8X4-1/2\NC
20	4900001	10	NUT\HEX\1/2\NC
21	4900005	2	NUT\HEX\5/8\NC
22	4900014	1	NUT\TPLCK\1/2\NC
23	4900022	8	NUT\HEX\7/8\NC
24	5000003	2	WASH\LOCK\5/8
25	5000004	24	WASH\FLAT\1/2
26	5000006	10	WASH\LOCK\1/2
27	5000098	8	WASH\FLAT\7/8
28	5000106	8	WASH\LOCK\7/8
29	6200049	1	KEY\SQ\1X4

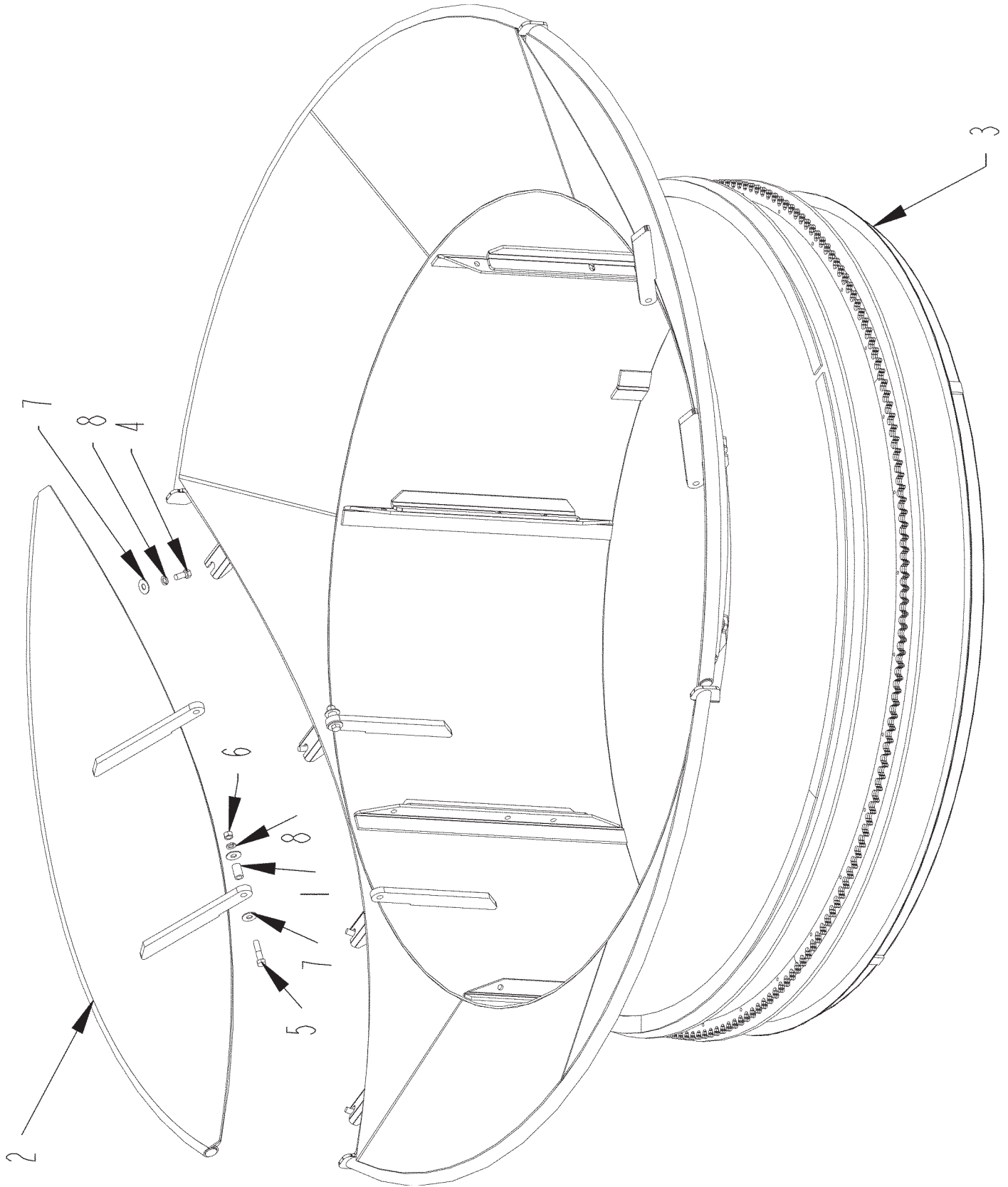
AUGER ASSEMBLY



AUGER ASSEMBLY

ITEM	PART	QTY.	PART DESCRIPTION
1	1000137	2	SPKT\80\B\10\1-1/4\5/16KW
2	1000201	2	SPKT\80\B\30\2-7/16\5/8KW
3	1100306	2	CHAIN\80\39
4	2000318	2	BRG\FLG\2-15/16\4BOLT\SCM
5	2000329	2	BRG\FLG\4 BOLT\2-7/16\SET SCREW\BALL
6	3900005	2	MTR\HYD\14.9\2000\SAE;A
7	4501366	1	FRM\SWIVEL\CNVYR\REAR
8	4703706	1	PL\END\BOX\CYL\FRONT
9	4703707	1	PL\END\BOX\CYL\REAR
10	4704531	2	PL\WEAR\MID\BOX\CYL
11	4704755	1	AUGER\BELLY\3010
12	4704756	1	AUGER\BELLY\3010
13	4704758	1	PAN\BELLY\AUGER\3010
14	4704759	2	BKRT\BRNG\ADJ
15	4704760	2	MNT\MTR\HYD
16	4704761	1	BRKT\MNT\MTR\HYD
17	4704762	1	SH\CHUTE\AUGER\BELLY
18	4704763	1	SH\CHUTE\AUGER\BELLY
19	4704764	1	CVR\CHUTE\AUGER
20	4800012	8	BOLT\CRG\3/8X1-1/4\NC
21	4800018	4	BOLT\HEX\1/2X1-1/4
22	4800053	20	BOLT\CRG\3/8X1\NC
23	4800082	2	BOLT\HEX\1/2X1-1/2
24	4800146	4	BOLT\HEX\3/8X2
25	4800178	4	BOLT\HEX\1/2X1-3/4
26	4800350	2	BOLT\HEX\5/8X2-1/4
27	4800483	8	BOLT\CRG\5/8X2\NC
28	4801295	8	BOLT\CRG\3/4X2-1/2
29	4900001	10	NUT\HEX\1/2\NC
30	4900002	28	NUT\HEX\3/8\NC
31	4900012	8	NUT\TPLCK\5/8\NC
32	4900139	8	NUT\TPLCK\3/4\GR8\NC
33	5000001	4	WASH\FLAT\3/8
34	5000003	2	WASH\LOCK\5/8
35	5000004	2	WASH\FLAT\1/2
36	5000006	10	WASH\LOCK\1/2
37	5000019	32	WASH\LOCK\3/8
38	6200029	2	KEY\SQ\5/8X2
	4705208		AUGER\ASSY\3010

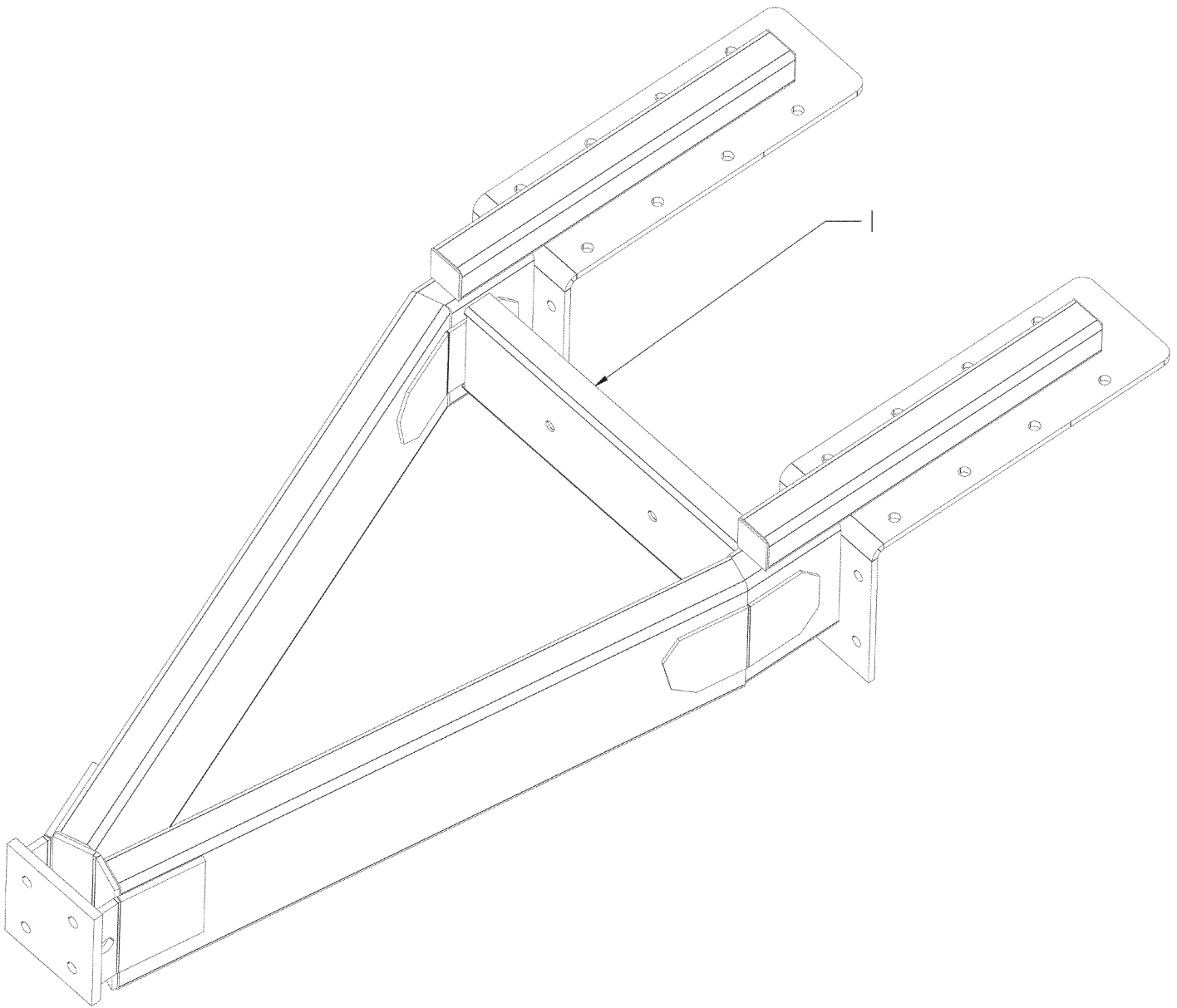
TUB ASSEMBLY



TUB ASSEMBLY

ITEM	PART	QTY.	PART DESCRIPTION
1	4702904	2	BUSH\HINGE\FLR\TUB
2	4705451	2	FLARE\FOLD\3.5M
3	4705452	1	TUB\3.5M\3010
4	4800106	8	BOLT\HEX\5/8X1-1/2
5	4800196	2	BOLT\HEX\5/8X2-3/4
6	4900005	2	NUT\HEX\5/8\NC
7	5000002	12	WASH\FLAT\5/8
8	5000003	10	WASH\LOCK\5/8
	4705207		TUB\ASSY\3.5M\SPCL\3010

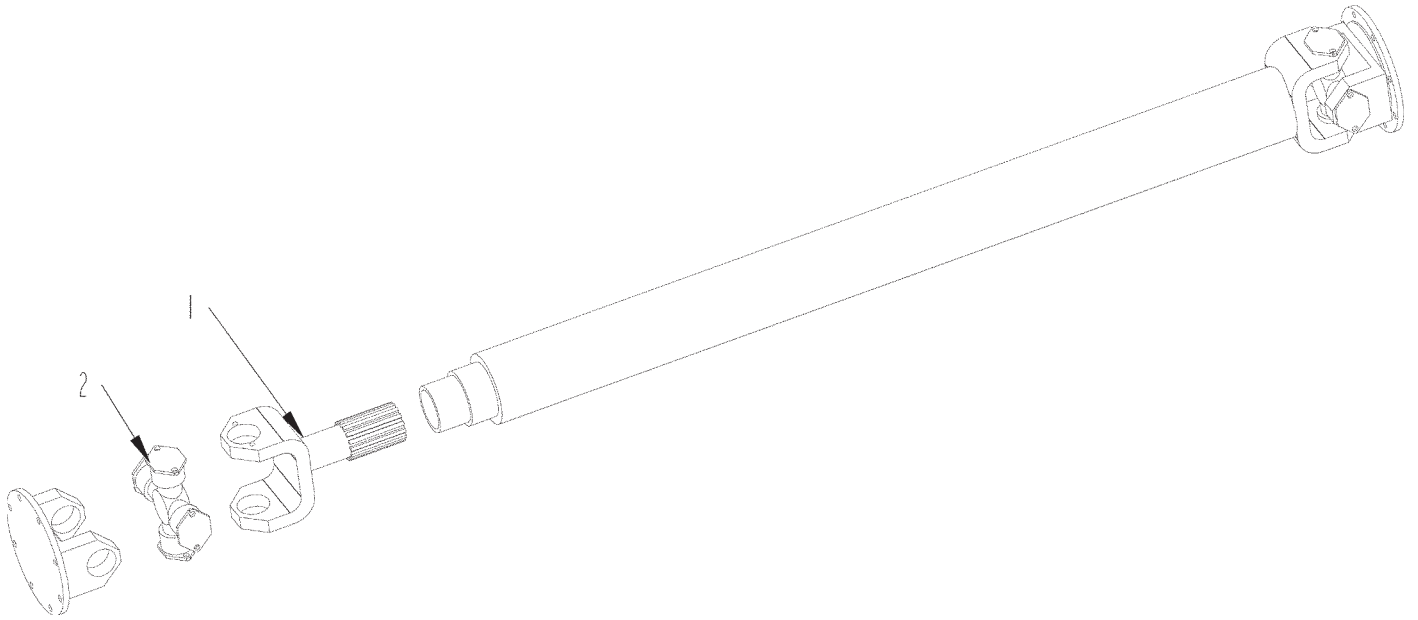
PINTLE HITCH



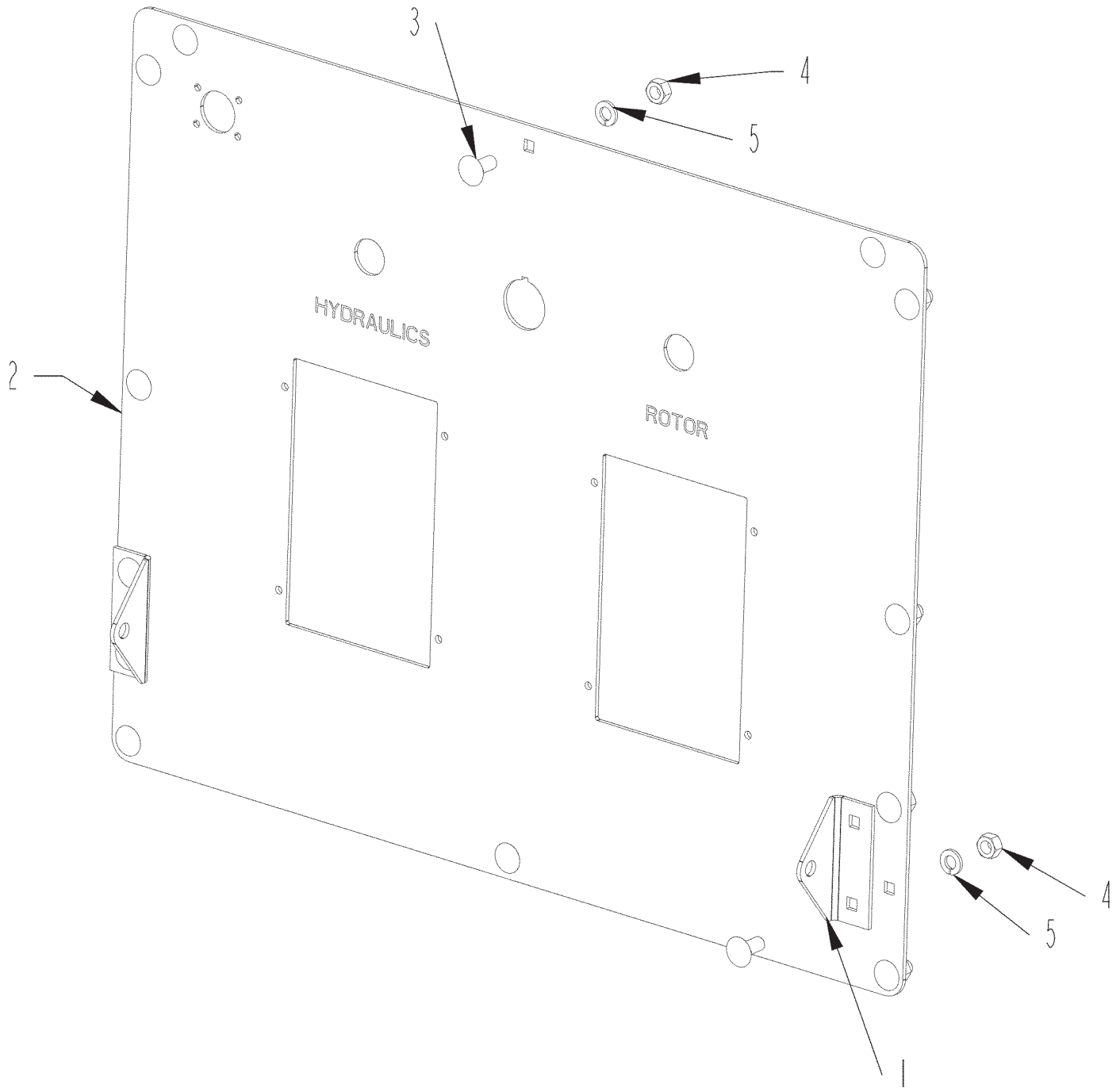
ITEM	PART	QTY.	PART DESCRIPTION
1	4705443	1	HITCH\PINTLE\3010\ELEC

3600448 DRIVE LINE

ITEM	PART	QTY.	PART DESCRIPTION
1		1	
2	3600527	2	DRLIN\IND\1810\CROSS&BRG
NOT SHOWN			
	3600768		JRNL\BRG\KIT\1810



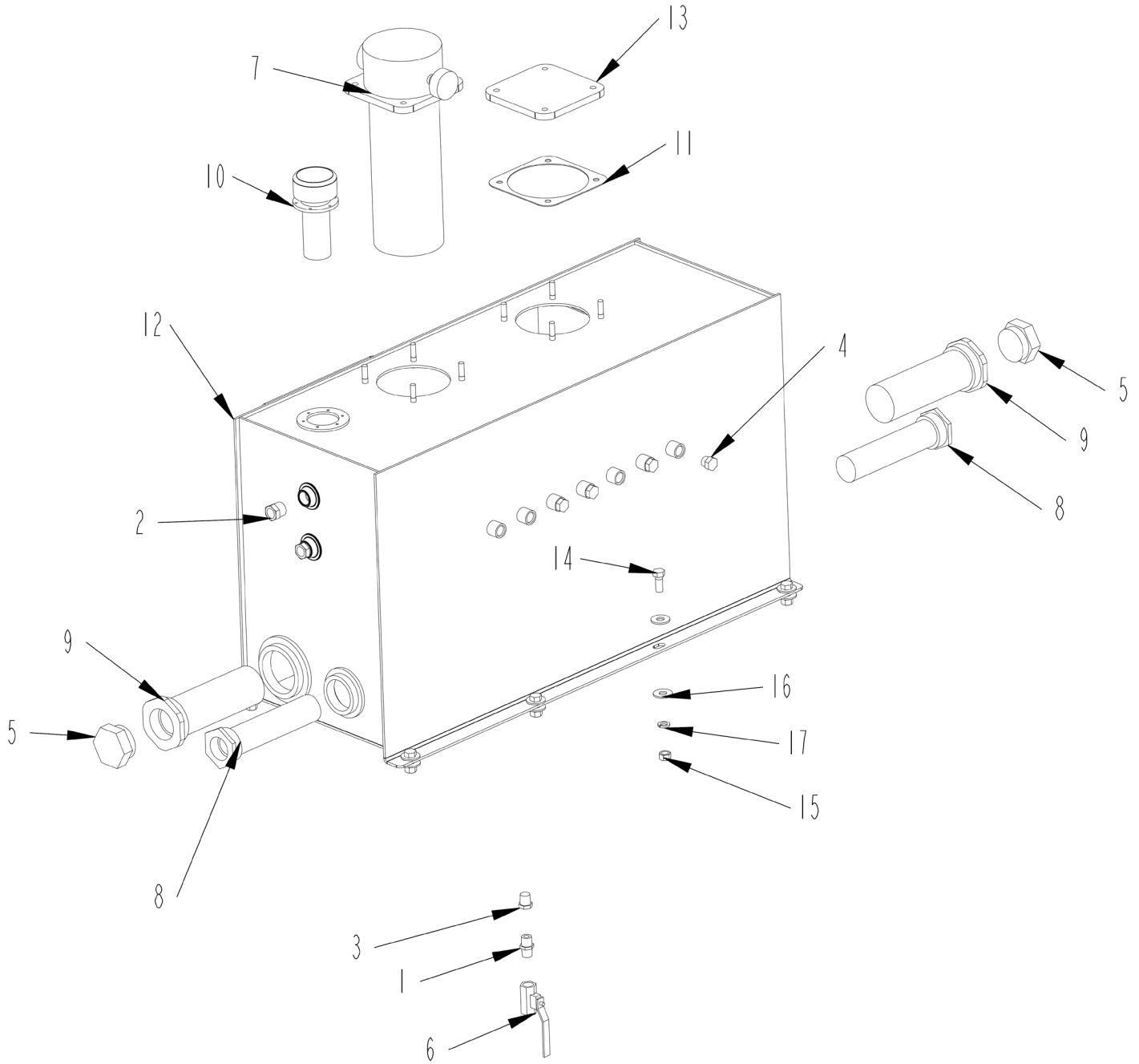
TOP CONTROL PANEL



TOP CONTROL PANEL

ITEM	PART	QTY.	PART DESCRIPTION
1	4501714	2	BRKT\SPRING\GAS
2	4705002	1	PNL\CNTRL\ELEC
3	4800153	14	BOLT\CRG\5/16X3/4\NC
4	4900003	14	NUT\HEX\5/16\NC
5	5000022	13	WASH\LOCK\5/16

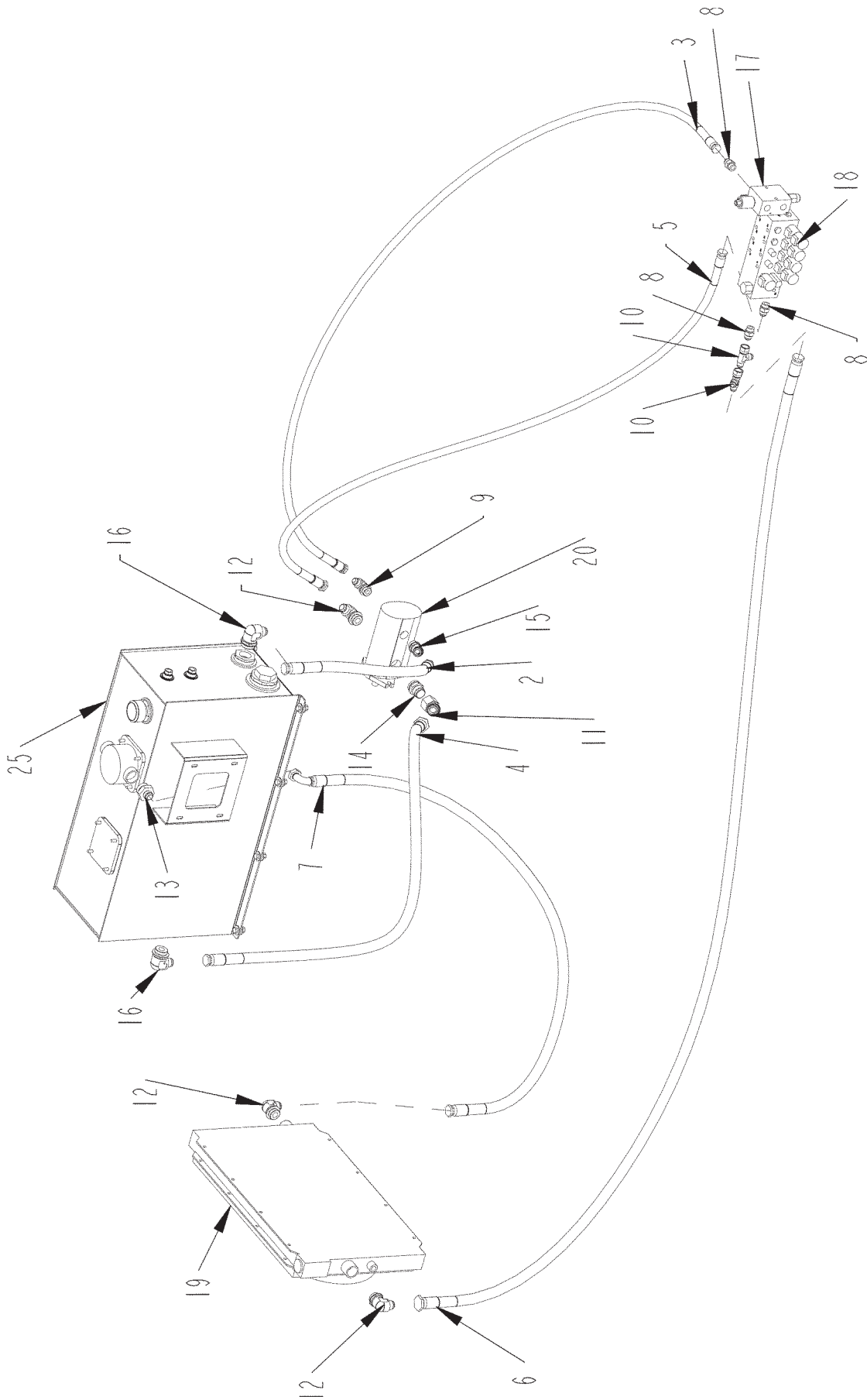
HYDRALIC OIL TANK ASSEMBLY



HYDRALIC OIL TANK ASSEMBLY

ITEM	PART	QTY.	PART DESCRIPTION
1	3800086	1	FTG\1/2MPX1-1/2\NPL
2	3800137	2	FTG\3/4MP\SIGHT:GLASS
3	3800360	1	FTG\1/2MP\PLUG\HEX
4	3800490	4	FTG\3/4MOR\PLUG\HEX
5	3800774	2	FTG\2-1/2MOR\PLUG
6	4000193	1	VALVE\BALL\1/2\LW\BRS
7	4400043	1	FILTER\HYDRAULIC\RETURN\IN-TANK ELEMENT 4400074
8	4400067	2	FLTR\SCRN\2-1/2MORX1-7/8FOR\30GPM\ST30-100-RV3
9	4400068	2	FLTR\SCRN\3-3/8MORX2-1/2FOR\50GPM\100MESH
10	4400071	1	VENTW\LOCK\CAP\HYD
11	4400115	1	GSKT\TANK\OIL
12	4704778	1	TANK\OIL\2009T
13	4704797	1	CVR\FLTR
14	4800018	8	BOLT\HEX\1/2X1-1/4
15	4900001	8	NUT\HEX\1/2\NC
16	5000004	16	WASH\FLAT\1/2
17	5000006	8	WASH\LOCK\1/2
	4704796		ASSY\TANK\OIL

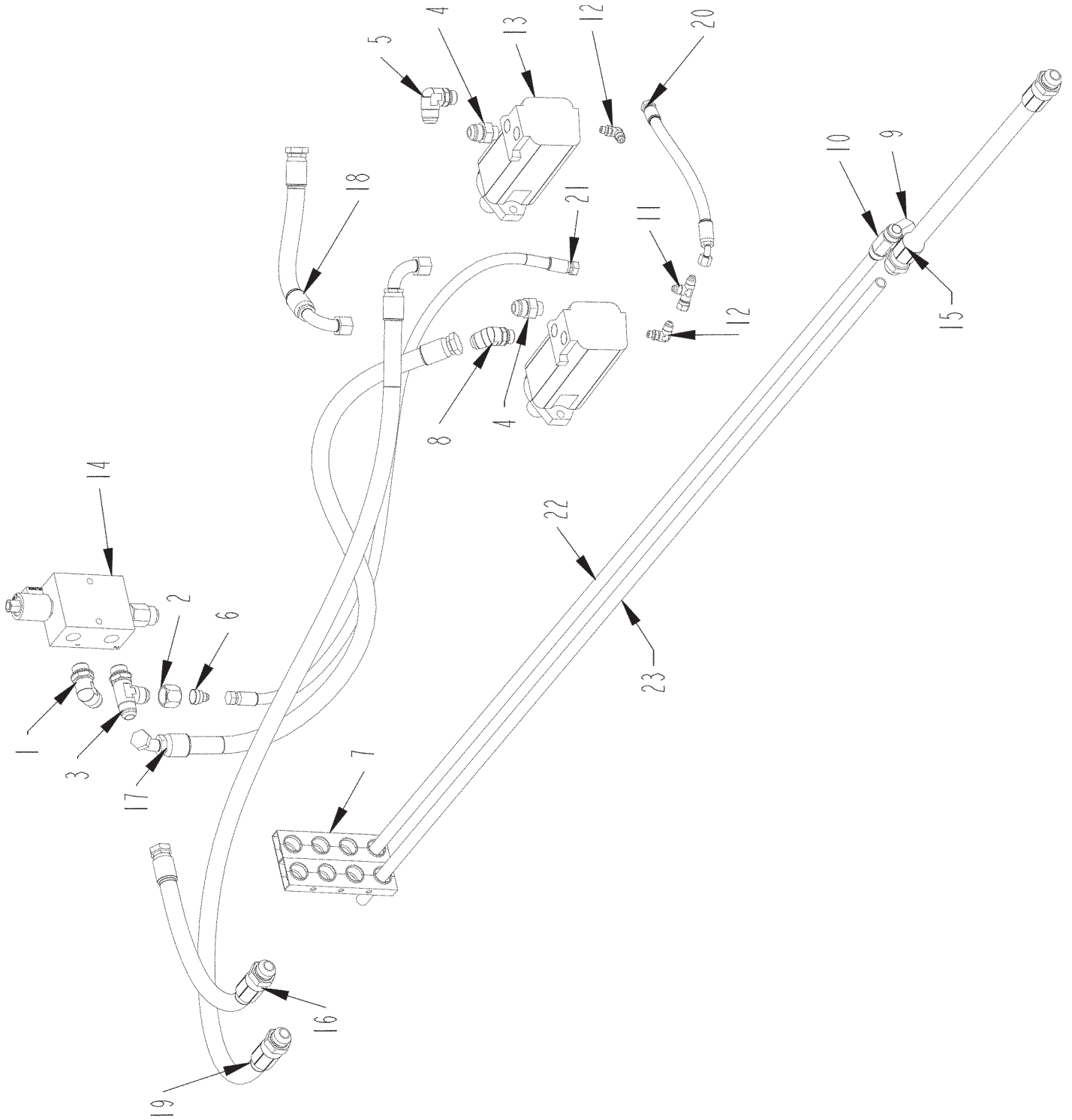
HYDRAULICS FOR TANK, COOLER, AND PUMP



HYDRALICS FOR TANK, COOLER, AND PUMP

ITEM	PART	QTY.	PART DESCRIPTION
2	3701159	1	HOSE\HYD\1X28\1-5/16FJICX1-5/16FJIC SUCTION PORT 2ND PUMP TO LEFT SIDE LOWER PORT HYDRAULIC TANK
3	3701387	1	HOSE\HYD\3/4X129\1-1/16FJICX1-1/16FJIC PRESSURE PORT 2ND PUMP TO PRESSURE PORT CONVEYOR RUN VALVE
4	3701388	1	HOSE\HYD\1X81\1-5/16FJICX1-5/8FJIC SUCTION 1ST PUMP TO RIGHT SIDE LOWER PORT HYDRAULIC TANK
5	3701389	1	HOSE\HYD\3/4X109\1-5/16FJICX1-1/16FJIC PRESSURE PORT 1ST PUMP TO AUX. VALVE LEFT PORT
6	3701390	1	HOSE\HYD\1X171\1-5/8FJICX1-5/16FJIC LEFT COOLER PORT TO AUX. VALVE RIGHT RETURN PORT
7	3701391	1	HOSE\HYD\1X100\1-5/16FJ90DEGX1-5/8FJIC RIGHT COOLER PORT TO TOP HYDRAULIC TANK FILTER
8	3800277	3	FTG\1-1/16MORX1-1/16MJIC\ST
9	3800534	1	FTG\1-5/16MORX1-1/16MJIC\90
10	3800670	2	FTG\1-1/16FJICX1-1/16MJICX1-1/16MJIC\RUN;TEE
11	3800711	1	FTG\1-5/8MJICX1-5/8FJIC\45
12	3800794	3	FTG\1-5/8MORX1-5/16MJIC\90
13	3800801	1	FTG\1-7/8MORX1-5/16MJIC\ST
14	3800808	1	FTG\1-7/8MORX1-5/8MJIC\ST
15	3800835	1	FTG\1-5/16MORX1-5/16MJIC\45
16	3800904	2	FTG\1-7/8MORX1-5/16MJIC\90
17	4000208	1	VLV\HYD\CNVYR\BLK\MFLD
18	4000210	1	VLV\HYD\AUX\BLK\MFLD
19	4200154	1	RAD\HYD\CMF1000\DCS60\12VDC
20	4200160	1	PUMP\HYD\25/20\2.67X2.35
21	4501366	1	FRM\SWIVEL\CNVYR\REAR
22	4703706	1	PL\END\BOX\CYL\FRONT
23	4703707	1	PL\END\BOX\CYL\REAR
24	4704531	2	PL\WEAR\MID\BOX\CYL
25	4704796	1	ASSY\TANK\OIL\2009T

AUGER HYDRALICS



AUGER HYDRALICS

ITEM	PART	QTY.	PART DESCRIPTION
1	3800279	1	FTG\1-1/16MORX1-1/16MJIC\90
2	3800462	1	FTG\1-1/16NUTFJICS
3	3800463	1	FTG\1-1/16MORX1-1/16MJICX1-1/16MJIC\RUN;TEE
4	3800527	2	FTG\7/8MORX1-1/16MJIC\ST
5	3800535	1	FTG\7/8MORX1-1/16MJIC\90
6	3800542	1	FTG\1-1/16FJICX9/16MJIC\ADPT
7	3800551	4	CLAMP\HOSE\1-1/4\4HOLES
8	3800669	1	FTG\MORXMJIC\45
9	3800708	1	FTG\1-1/16FJIC\CAP
10	3800723	1	FTG\1-1/16MJICX1-1/16MJICX1-1/16MJIC\TEE
11	3800759	1	FTG\9/16FJICSX9/16MJICX9/16MJIC\RUN;TEE
12	3800762	2	FTG\7/16MORX9/16MJIC\90
13	3900005	2	MTR\HYD\14.9\2000\SAE;A
14	4000208	1	VLV\HYD\CNVYR\BLK\MFLD
15	3701393	1	HOSE\HYD\3/4X21\1/16MJICX1-1/16MJIC OUTSIDE LOWER TUBELINE MAINFRAME TO LOWER DISCHARGE CONVEYOR TUBELINE
16	3701394	1	HOSE\HYD\3/4X20\1-1/16MJCX1-1/16FJIC INSIDE LOWER TUBELINE MAINFRAME TO LOWER PORT TEE CONVEYOR RUN VALVE
17	3701395	1	HOSE\HYD\3/4X56\1-1/16FJX1-1/16FJC45DEG UPPER PORT CONVEYOR RUN VALVE TO LEFT ORBIT MOTOR FRONT PORT
18	3701396	1	HOSE\HYD\3/4X16\1-1/16FJC90X1-1/16FJC LEFT ORBIT MOTOR BACK PORT TO RIGHT ORBIT MOTOR BACK PORT
19	3701397	1	HOSE\HYD\3/4X70\1-1/16MJICX1-1/16FJIC\90 RIGHT ORBIT MOTOR FRONT PORT TO OUTSIDE TUBELINE MAINFRAME
20	3701157	1	HOSE\HYD\3/8X15\9/16FJIC45X9/16FJICS RIGHT ORBIT MOTOR CASE DRAIN TO LEFT ORBIT MOTOR CASE DRAIN TEE
21	3701398	1	HOSE\HYD\3/8X57\9/16FJICS LEFT ORBIT MOTOR CASE DRAIN TEE TO CONVEYOR RUN VALVE BOTTOM PORT TEE
22	TUBE_7_1150	1	3/4 INCH STEEL TUBE LINE
23	TUBE_8_1150	1	3/4 INCH STEEL TUBE LINE

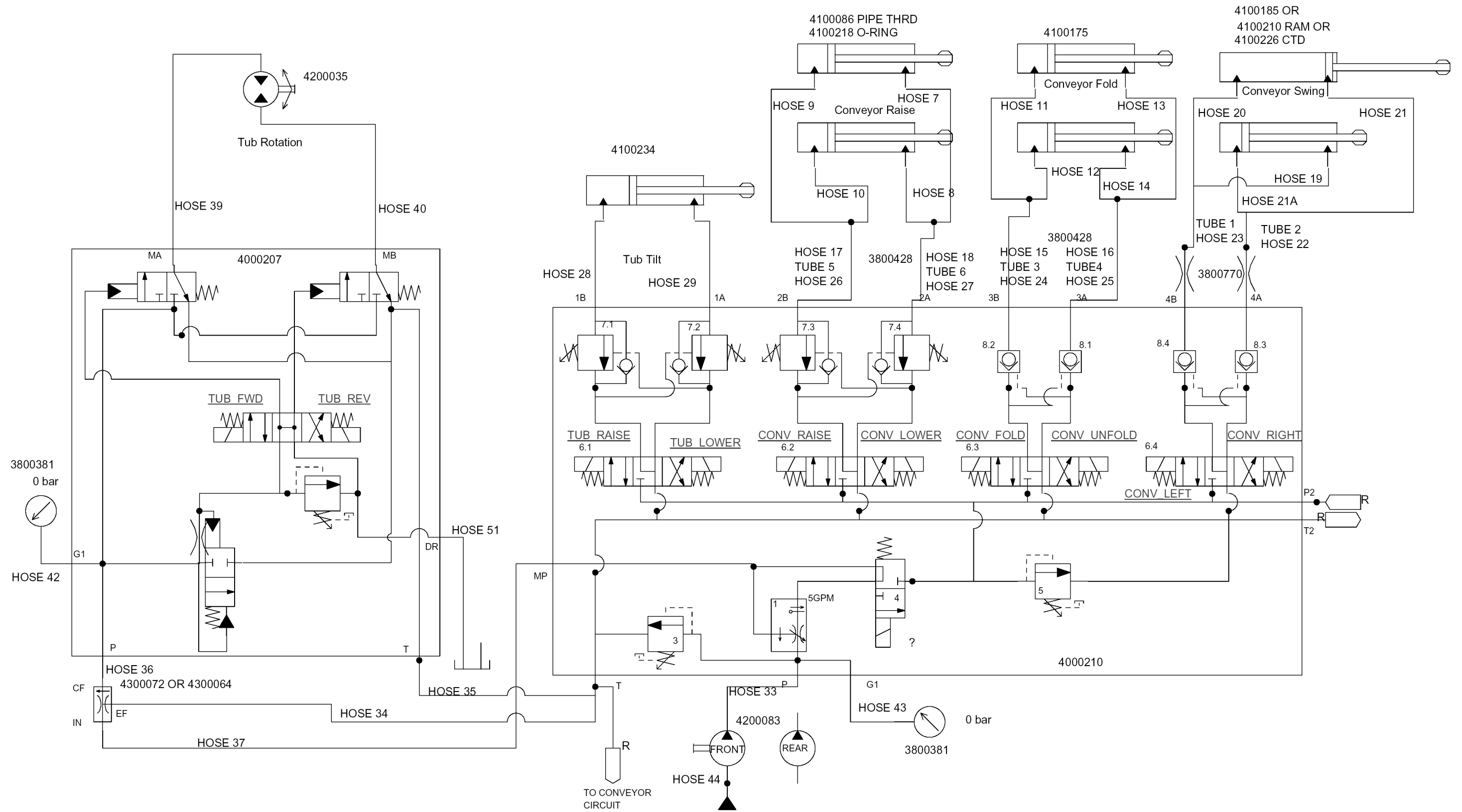


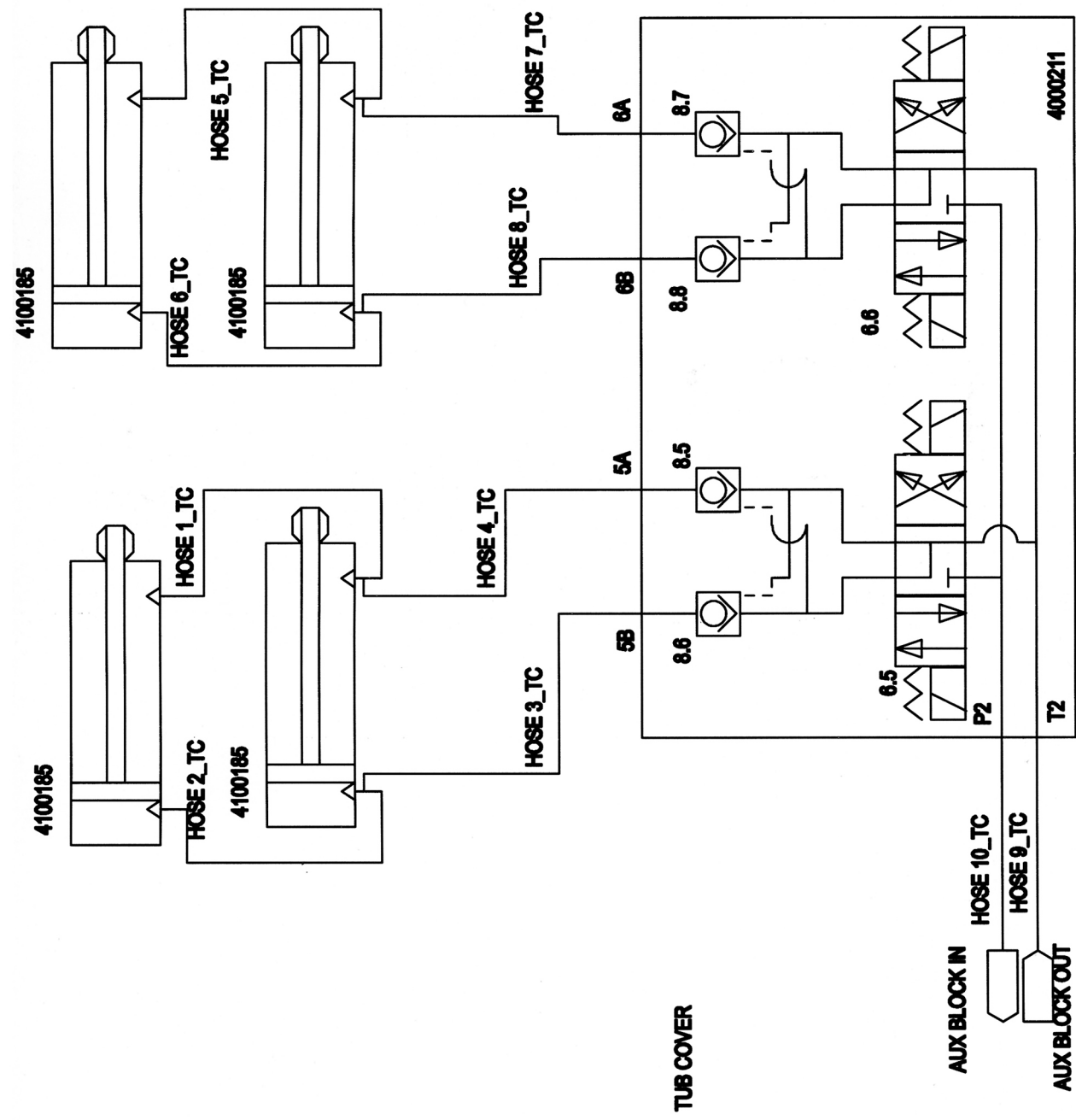


APPENDIX A SCHEMATIC FOLDOUTS

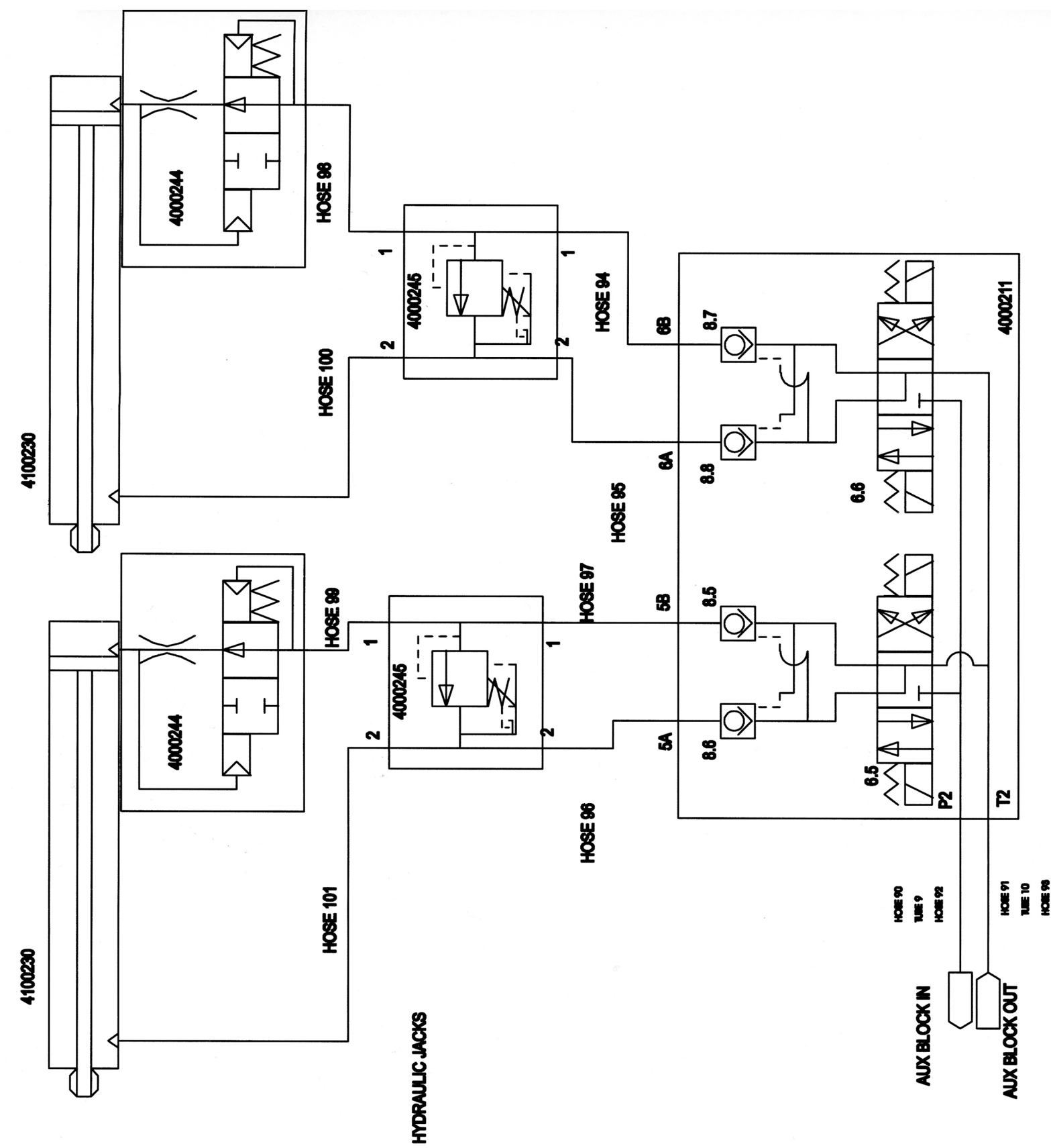


TUB HYDRAULIC CIRCUIT





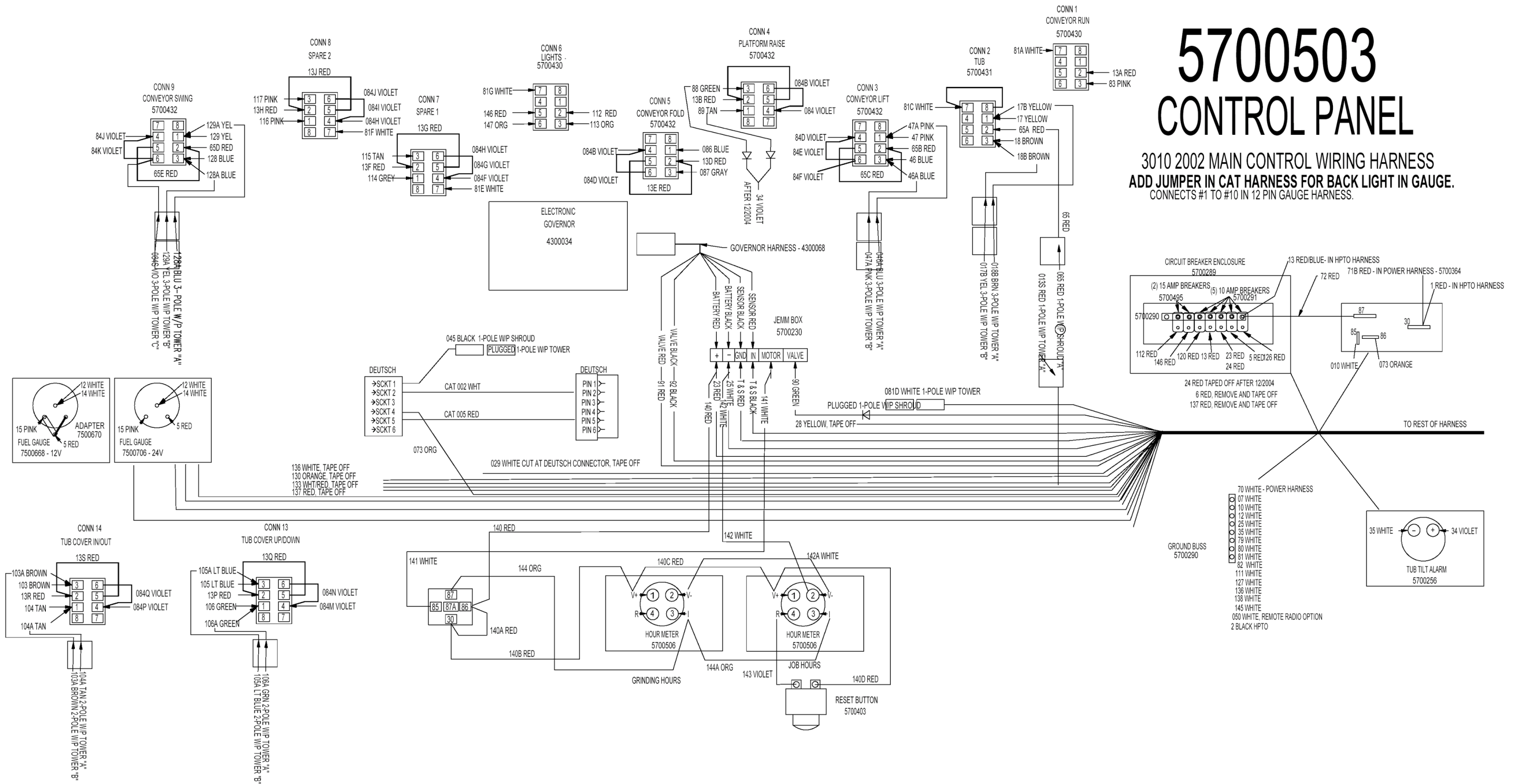
TUB COVER

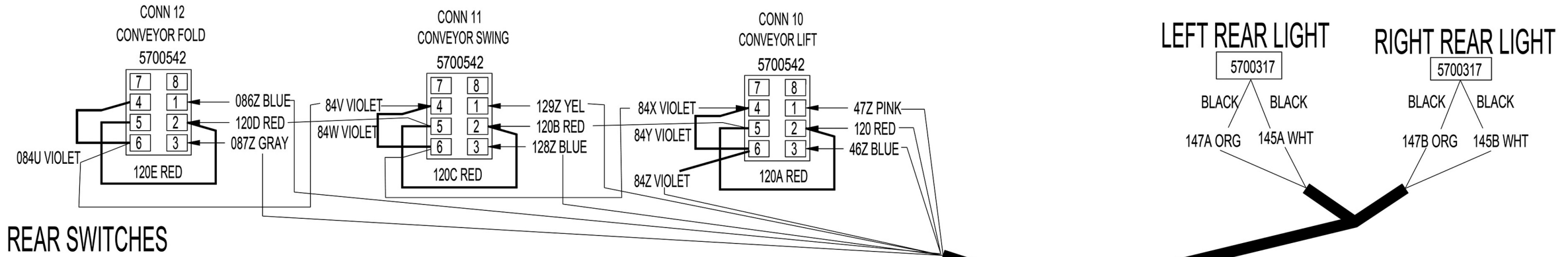


HYDRAULIC JACKS

5700503 CONTROL PANEL

3010 2002 MAIN CONTROL WIRING HARNESS
ADD JUMPER IN CAT HARNESS FOR BACK LIGHT IN GAUGE.
CONNECTS #1 TO #10 IN 12 PIN GAUGE HARNESS.



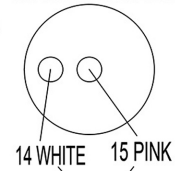


5700503 MACHINE

3010 2002 MAIN CONTROL WIRING HARNESS

FUEL GAUGE SENSOR

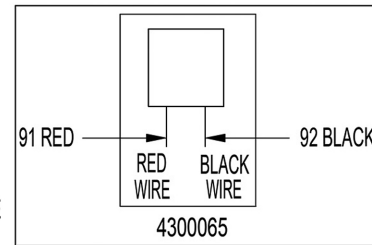
7501568 FIXED LENGTH 19" TRACK MACHINES
7500682 FIXED LENGTH 23"



RAD. SCREEN MOTOR

126 RED 3"
127 WHT 3"
5700537

TUB VALVE



GOVERNOR VALVE

KPTO



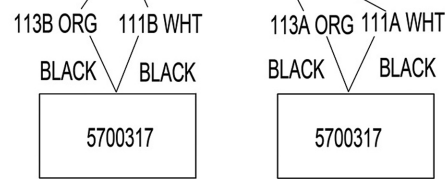
CONVEYOR VALVE (4000208)



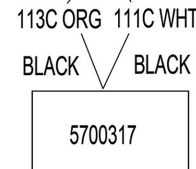
TO CONTROL PANEL

NOT USED, SEAL OFF

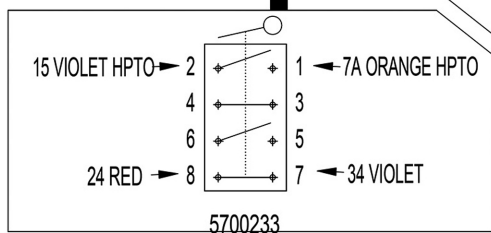
CLUTCH OIL COOLING FAN



FRONT LIGHTS

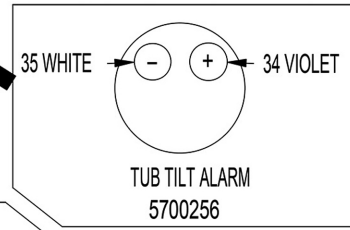


MIDDLE LIGHT



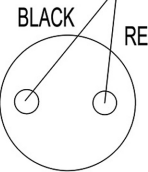
TUB INTERLOCK LIMIT SWITCH

137 ORG, TAPE OFF
AFTER 12/2004
24 RED → 34 VIOLET
OR
24 RED DELETED



TUB TILT ALARM

1 PAIR SHIELDED WIRES, BLACK & RED



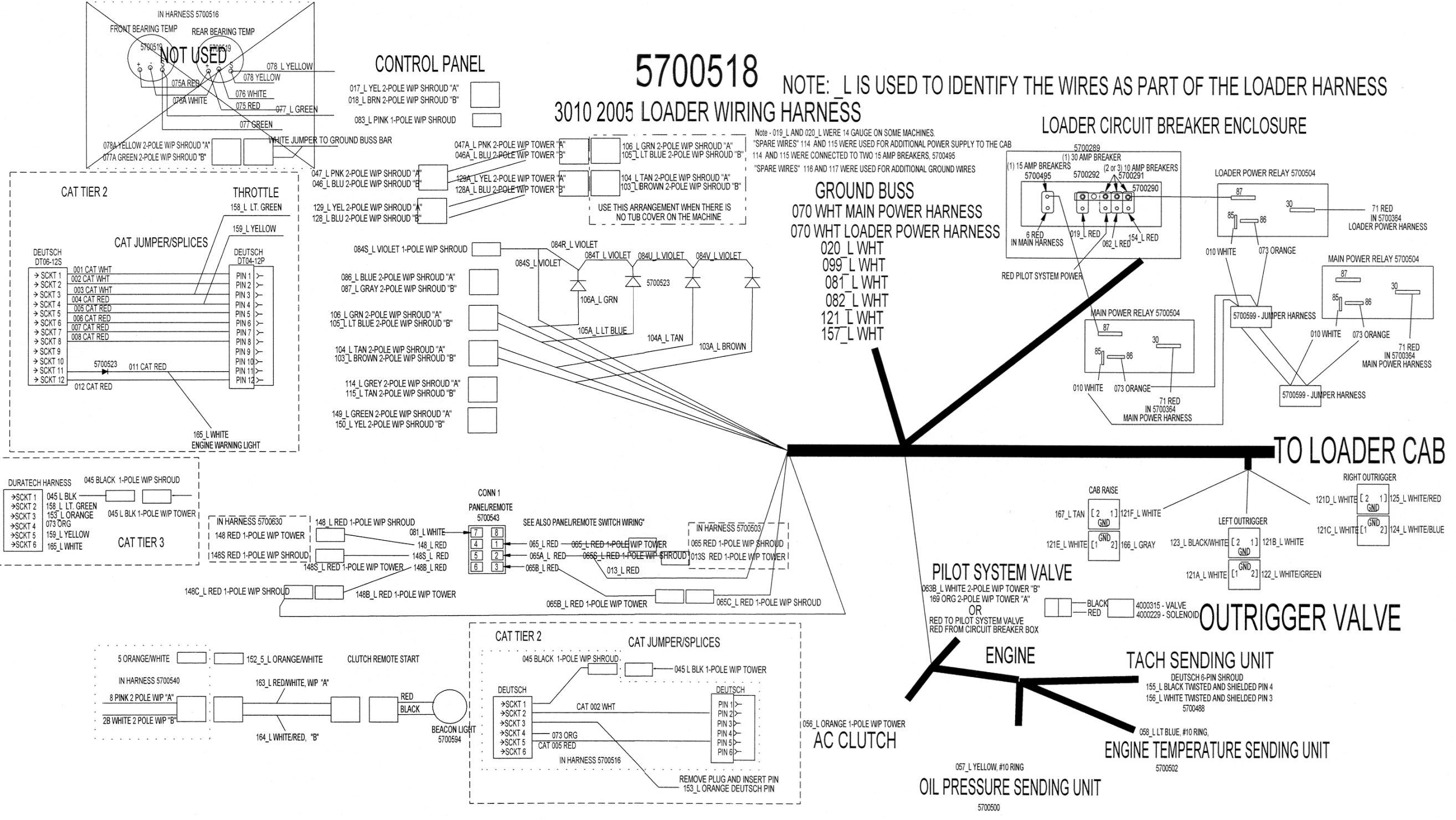
ROTOR SENSOR

UNLOADER VALVE	84 VIOLET	80 C WHITE
PLATFORM DOWN	88 GREEN	89 TAN
PLATFORM UP	90 GREEN	80 B WHITE
CONVEYOR DOWN	47 PINK	46 BLUE
CONVEYOR UP	80 I WHITE	80 J WHITE
CONVEYOR FOLD	087 GRAY	086 BLUE
CONVEYOR UNFOLD	80 D WHITE	80 E WHITE
CONVEYOR LEFT	128 BLUE	129 YELLOW
CONVEYOR RIGHT	080 K WHITE	80 L WHITE
4000210 - 4 SPOOL MAIN VALVE		
TUB COVER IN	103 BROWN	104 TAN
TUB COVER OUT	080 M WHITE	080 N WHITE
TUB COVER UP	105 LT BLUE	106 GREEN
TUB COVER DOWN	080 P WHITE	080 R WHITE
4000211 - 2 SPOOL ADDER VALVE		
SPARE #1	SPARE #1	SPARE #2
114 GRAY	115 TAN	116 YELLOW
080 M WHITE	080 N WHITE	080 P WHITE
		SPARE #2
		117 PINK
		080 R WHITE

5700518

3010 2005 LOADER WIRING HARNESS

NOTE: L IS USED TO IDENTIFY THE WIRES AS PART OF THE LOADER HARNESS



CONTROL PANEL

- 017_L YEL 2-POLE WIP SHROUD "A"
- 018_L BRN 2-POLE WIP SHROUD "B"
- 083_L PINK 1-POLE WIP SHROUD

LOADER CIRCUIT BREAKER ENCLOSURE

Note - 019_L AND 020_L WERE 14 GAUGE ON SOME MACHINES.
 SPARE WIRES 114 AND 115 WERE USED FOR ADDITIONAL POWER SUPPLY TO THE CAB
 114 AND 115 WERE CONNECTED TO TWO 15 AMP BREAKERS, 5700495
 SPARE WIRES 116 AND 117 WERE USED FOR ADDITIONAL GROUND WIRES

- #### GROUND BUSS
- 070 WHT MAIN POWER HARNESS
 - 070 WHT LOADER POWER HARNESS
 - 020_L WHT
 - 099_L WHT
 - 081_L WHT
 - 082_L WHT
 - 121_L WHT
 - 157_L WHT

TO LOADER CAB

PILOT SYSTEM VALVE

063B_L WHITE 2-POLE WIP TOWER "B"
 169_ORG 2-POLE WIP TOWER "A"
 OR
 RED TO PILOT SYSTEM VALVE
 RED FROM CIRCUIT BREAKER BOX

OUTRIGGER VALVE

RIGHT OUTRIGGER
 121D_L WHITE [2 1] 125_L WHITE/RED
 [GND] [2]
 LEFT OUTRIGGER
 121B_L WHITE [2 1]
 [GND] [2]
 121A_L WHITE [1 2] 122_L WHITE/GREEN
 [GND] [1]

ENGINE

OIL PRESSURE SENDING UNIT

067_L YELLOW, #10 RING
 5700600

TACH SENDING UNIT

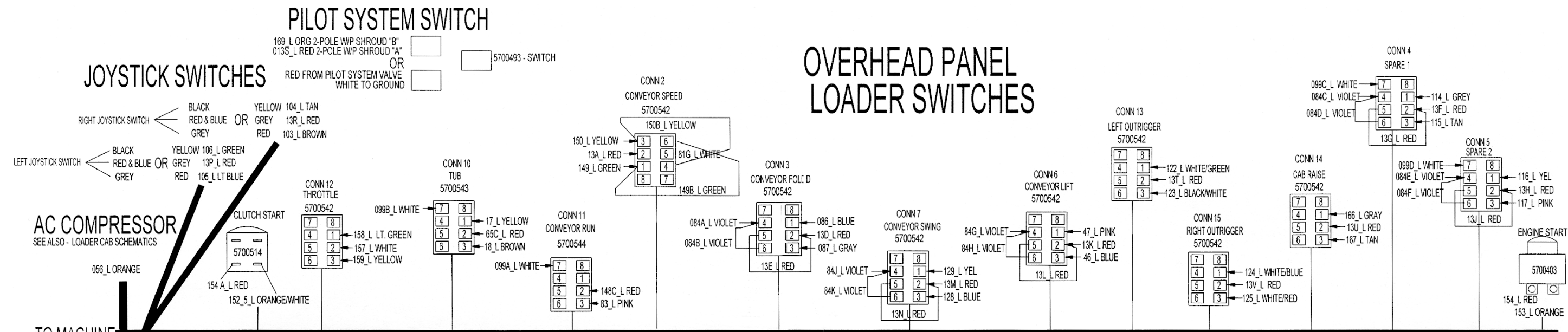
DEUTSCH 6-PIN SHROUD
 155_L BLACK TWISTED AND SHIELDED PIN 4
 156_L WHITE TWISTED AND SHIELDED PIN 3
 5700488

ENGINE TEMPERATURE SENDING UNIT

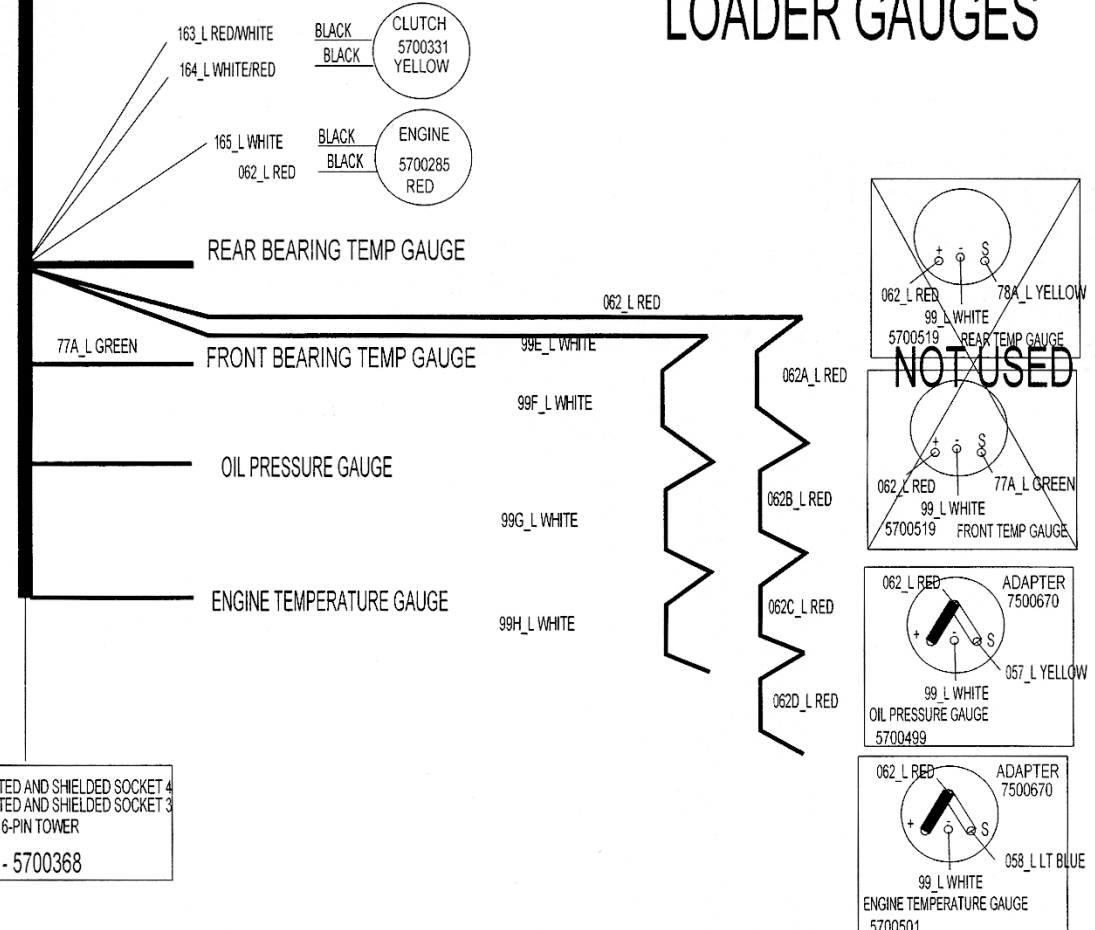
068_L LT BLUE, #10 RING
 5700502

AC CLUTCH

056_L ORANGE 1-POLE WIP TOWER



LOADER GAUGES



155 BLACK TWISTED AND SHIELDED SOCKET 4
 156 WHITE TWISTED AND SHIELDED SOCKET 3
 DEUTSCH 6-PIN TOWER
 TACH - 5700368

HOOD CAB CONTROLS

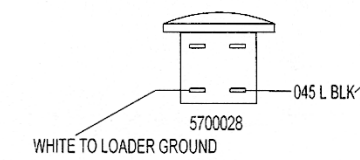
SEE ALSO - LOADER CAB SCHEMATICS
 019 L RED *** 6"
 SPLICE WITH 10 GAUGE RED WIRE IN LOADER WIRING
 020 L WHITE, #10 RING 6"
 CONNECT TO FRAME GROUND IN LOADER

**5700518
 3010 LOADER CAB**

NOTE: _L IS USED TO IDENTIFY THE WIRES AS PART OF THE LOADER HARNESS

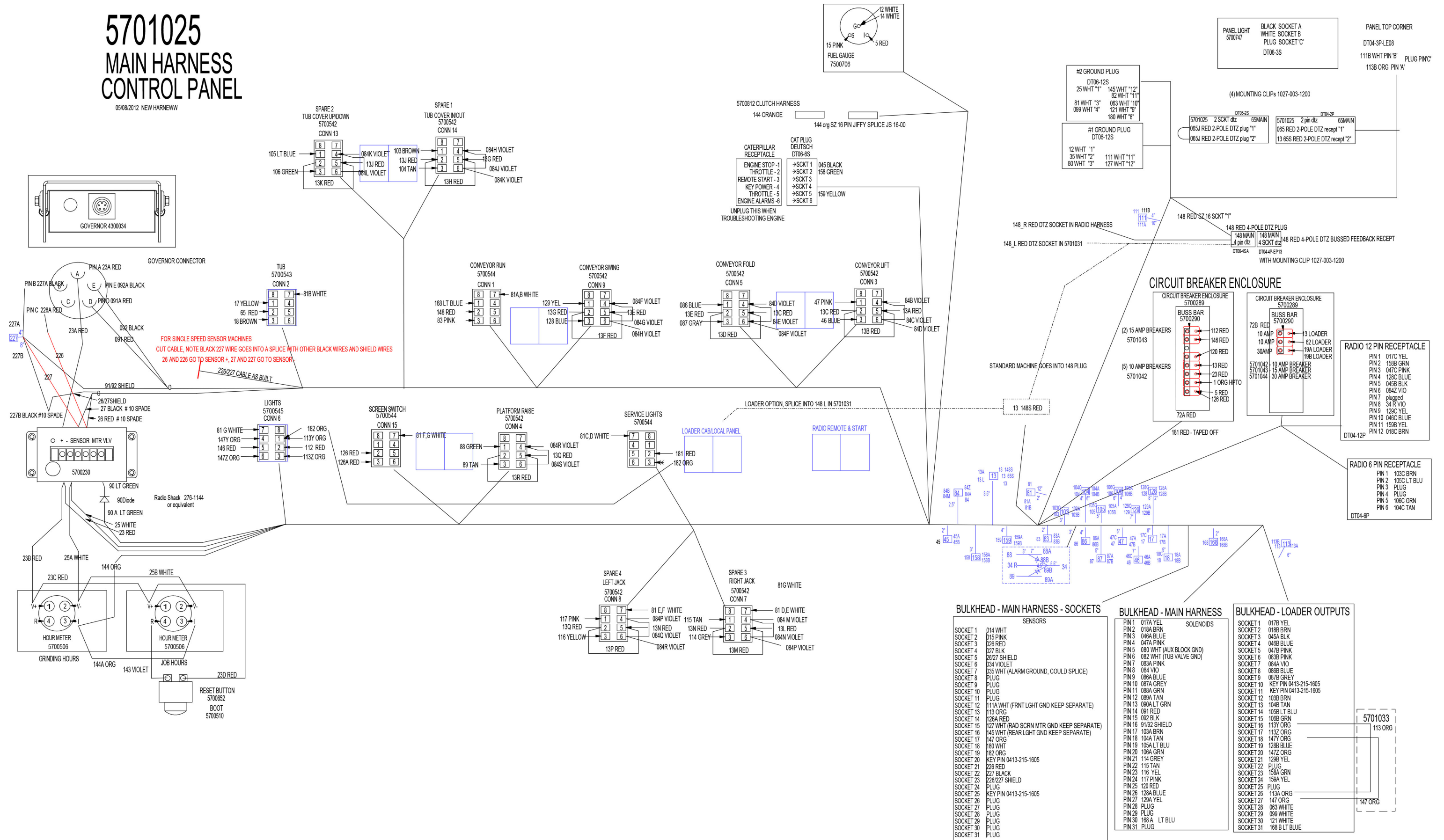
Note - 019_L AND 020_L WERE 14 GAUGE ON SOME MACHINES.
 SPARE WIRES 114 AND 115 WERE USED FOR ADDITIONAL POWER SUPPLY TO THE CAB
 SPARE WIRES 116 AND 117 WERE USED FOR ADDITIONAL GROUND WIRES

ENGINE KILL



5701025 MAIN HARNESS CONTROL PANEL

05/08/2012 NEW HARNEWW



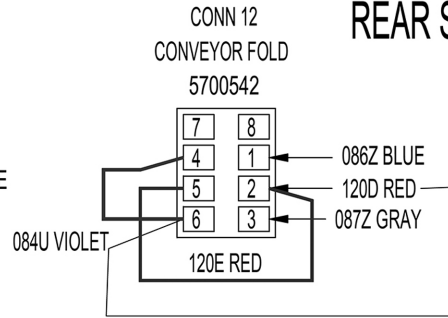
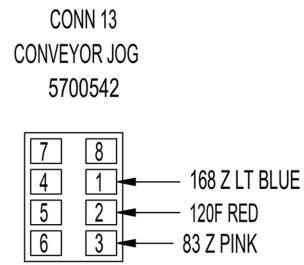
5701026

3010 MACHINE VALVES HARNESS

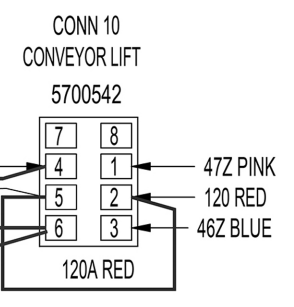
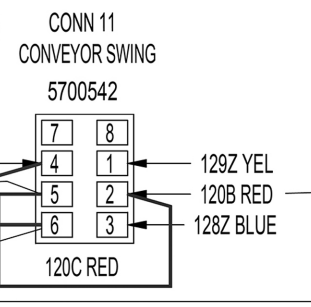
BULKHEAD - MAIN HARNESS

SOCKET 1	017 YEL	HD 36-24-31-ST-059
SOCKET 2	018 BRN	
SOCKET 3	046 BLU	
SOCKET 4	047 PNK	
SOCKET 5	080 WHT (AUX BLOCK GND)	
SOCKET 6	082 WHT (TUB VALVE GND)	
SOCKET 7	083 PNK	
SOCKET 8	084 VIO	
SOCKET 9	086 BLU	
SOCKET 10	087 GRAY	
SOCKET 11	088 GRN	
SOCKET 12	089 TAN	
SOCKET 13	090 GRN	
SOCKET 14	091 RED	
SOCKET 15	092 BLK	
SOCKET 16	91/92 SHIELD	
SOCKET 17	103 BRN	
SOCKET 18	104 TAN	
SOCKET 19	105 LT BLU	
SOCKET 20	106 GRN	
SOCKET 21	114 GREY	
SOCKET 22	115 L TAN	
SOCKET 23	116 L YEL	
SOCKET 24	117 L PNK	
SOCKET 25	120 RED	
SOCKET 26	128 BLUE	
SOCKET 27	129 YEL	
SOCKET 28	PLUG	
SOCKET 29	PLUG	
SOCKET 30	168 BLU	
SOCKET 31	PLUG	

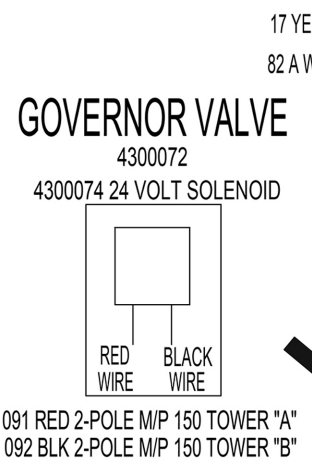
5/14/2012 REV 0



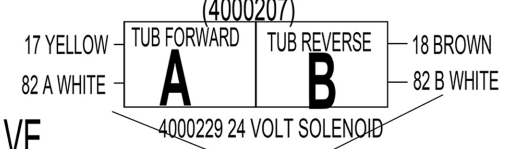
REAR SWITCHES



GOVERNOR VALVE



TUB VALVE

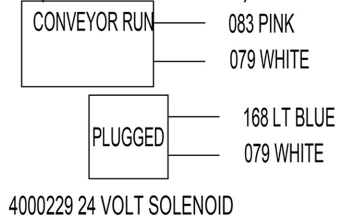


SPARES

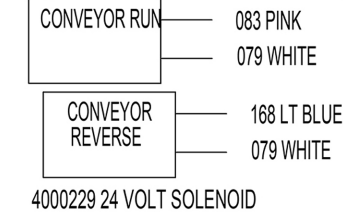
114 GRAY SOCKET 'A'
115 TAN SOCKET 'B'
116 YEL SOCKET 'C'
117 PNK SOCKET 'D'
080 W WHT SOCKET 'E'
PLUG 'F'

PLUG - STANDARD
5701047 - FRONT JACK OPTION

CONVEYOR VALVE



CONVEYOR VALVE



SPARES

SPARE #1 TUB COVER RAISE	SPARE #2 TUB COVER LOWER	103 BROWN 080 M WHITE	104 TAN 080 N WHITE
SPARE #3 TUB COVER OUT	SPARE #4 TUB COVER IN	105 LT BLUE 080 P WHITE	106 GREEN 080 R WHITE

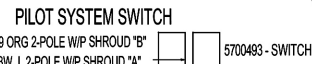
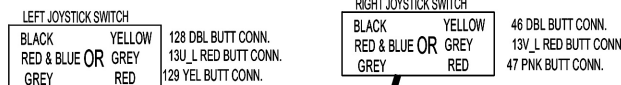
OPTIONAL 4000211 - 2 SPOOL ADDER VALVE
4000229 24 VOLT SOLENOID

REAR VALVE

4000210 - 4 SPOOL MAIN VALVE

CONVEYOR LEFT 4000229 24 VOLT SOLENOID	CONVEYOR RIGHT 4000229 24 VOLT SOLENOID	128A BLUE 080 K WHITE	129A YELLOW 80 L WHITE
CONVEYOR FOLD 4000229 24 VOLT SOLENOID	CONVEYOR UNFOLD 4000229 24 VOLT SOLENOID	087A GRAY 80 D WHITE	086A BLUE 80 E WHITE
CONVEYOR DOWN 4000229 24 VOLT SOLENOID	CONVEYOR UP 4000229 24 VOLT SOLENOID	47A PINK 80 I WHITE	46A BLUE 80 J WHITE
PLATFORM DOWN 4000229 24 VOLT SOLENOID	PLATFORM UP 4000229 24 VOLT SOLENOID	88 GREEN 90 GREEN	89 TAN 80 B WHITE
UNLOADER VALVE 4000305 20 VOLT SOLENOID		84A VIOLET 80 C WHITE	

JOYSTICK SWITCHES



3010 LOADER WIRING HARNESS panel

5700698

MODIFICATIONS

5/28/2008 REV 0
 6/11/2008 Rev A
 8/21/2008 Rev B
 04/10/2009 Rev C
 08/17/2011 REV F
 01/04/2013 REV H

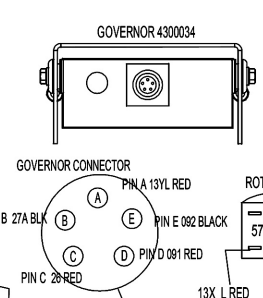
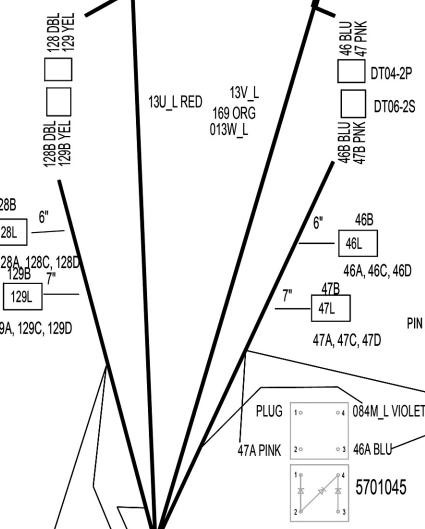
31 PIN CONNECTOR

- PIN 1 158 L GREEN
- PIN 2 159 L YEL
- PIN 3 165 L WHT
- PIN 4 45 BLK
- PIN 5 013 L YEL
- PIN 6 017 L YEL
- PIN 7 018 L BRN
- PIN 8 065 L RED
- PIN 9 047 L PNK
- PIN 10 046 L BLU
- PIN 11 077 L GREEN
- PIN 12 078 L YEL
- PIN 13 086 L BLUE
- PIN 14 087 L GRAY
- PIN 15 094S L VIOLET
- PIN 16 083 L PNK
- PIN 17 152 L ORG/WHT
- PIN 18 153 L ORG
- PIN 19 096 L WHITE
- PIN 20 113 L ORG
- PIN 21 128 L BLU
- PIN 22 129 L YEL
- PIN 23 103 L BROWN
- PIN 24 104 L TAN
- PIN 25 105 L LT BLUE
- PIN 26 106 L GRN
- PIN 27 114 L YEL
- PIN 28 115 L TAN
- PIN 29 113Z L ORG
- PIN 30 113Z L ORG
- PIN 31 149 L DK GRN

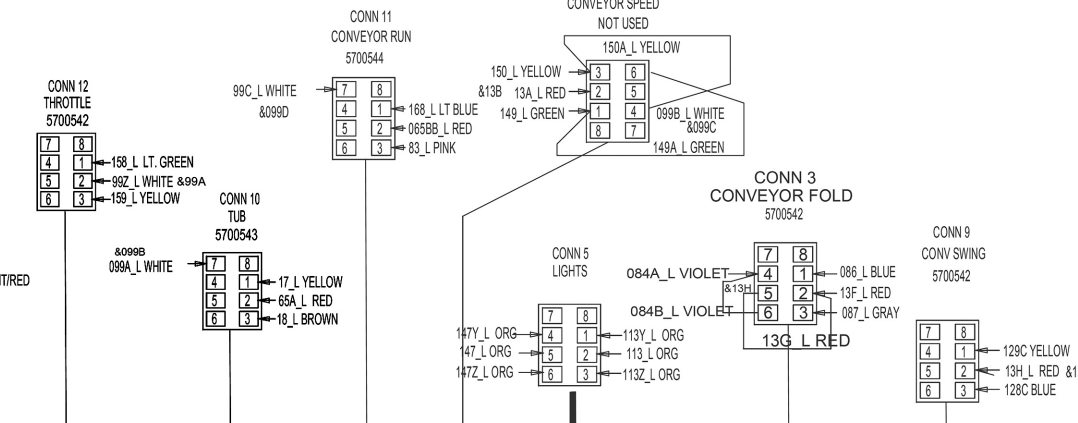
29 PIN CONNECTOR

- PIN 1 019A L RED 12 GA
- PIN 2 020B L WHITE 12 GA
- PIN 3 019B L RED 12 GA
- PIN 4 020A L WHITE 12 GA
- PIN 5 150A L YEL
- PIN 6 067 L YEL
- PIN 7 068 LT BLUE
- PIN 8 147Y L ORG
- PIN 9 164 L WHT/RED
- PIN 10 165 L ORG
- PIN 11 147Z L ORG
- PIN 12 122 WHT/GRN
- PIN 13 123 BLK/WHT
- PIN 14 124 WHT/DK BLUE
- PIN 15 125 WHT/RED
- PIN 16 166 GREY
- PIN 17 167 TAN
- PIN 18 27 L BLACK
- PIN 19 163 L RED/WHT
- PIN 20 26 L RED
- PIN 21 155 L BLACK
- PIN 22 156 L RED
- PIN 23 155/156 SHIELD
- PIN 24 133 L WHT/RED
- PIN 25 130 L ORG
- PIN 26 137 L RED
- PIN 27 91 L RED
- PIN 28 147 L ORG
- PIN 29 92 L BLACK

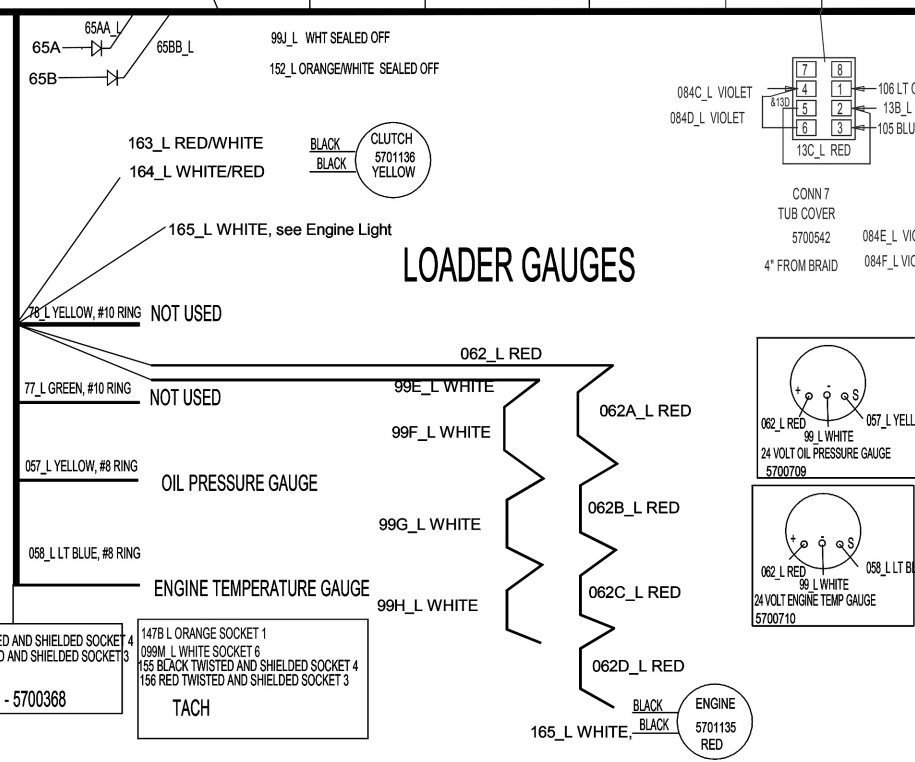
- 155 BLACK TWISTED AND SHIELDED SOCKET 4
- 156 RED TWISTED AND SHIELDED SOCKETS
- 155/156 SHIELD 1
- TACH - 5700368



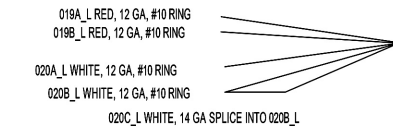
LOADER SWITCHES



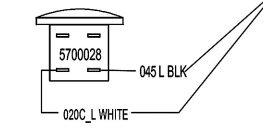
LOADER GAUGES



HOOD CAB CONTROLS



ENGINE KILL



99D L WHITE SEALED OFF
 130 L ORANGE SEALED OFF
 133A L WHT/RED SEALED OFF
 137 L VIO SEALED OFF

TO MAIN HARNESS 5701025, LOADER OUTPUTS

5701032

NOTE: L IS USED TO IDENTIFY THE WIRES AS PART OF THE LOADER HARNESS
 NOTE - EITHER 57001033 OR 57001032 ARE USED ON A MACHINE, NOT BOTH
 57001033 IS ON STANDARD MACHINE, 57001032 IS USED WITH THE LOADER OPTION

31 SCKT CONNECTOR

- PIN 1 017 L YEL
- PIN 2 018 L BRN
- PIN 3 45 black
- PIN 4 046 L BLU
- PIN 5 047 L PNK
- PIN 6 083 L PINK
- PIN 7 084S L VIOLET
- PIN 8 086 L BLUE
- PIN 9 087 L GRAY
- PIN 10 PLUG
- PIN 11 PLUG
- PIN 12 103 L BROWN
- PIN 13 104 L TAN
- PIN 14 105 L LT BLUE
- PIN 15 106 L GRN
- PIN 16 113Y L ORG
- PIN 17 113Z L ORG
- PIN 18 147Y L ORG
- PIN 19 128 L BLU
- PIN 20 147Z L ORG
- PIN 21 129 L YEL
- PIN 22 149 L DK GRN
- PIN 23 158 L GREEN
- PIN 24 159 L YEL
- PIN 25 150 L YEL
- PIN 26 113 L ORG
- PIN 27 147 L ORG
- PIN 28 063 L WHITE
- PIN 29 099 L WHITE
- PIN 30 121 L WHITE
- PIN 31 168 LT BLUE

31 PIN CONNECTOR

MODIFICATIONS

05/14/2012 REV 0

- SOCKET 1 158 L GREEN
- SOCKET 2 159 L YEL
- SOCKET 3 165 L WHT
- SOCKET 4 45 black
- SOCKET 5 013 L RED
- SOCKET 6 017 L YEL
- SOCKET 7 018 L BRN
- SOCKET 8 065 L RED
- SOCKET 9 047 L PNK
- SOCKET 10 046 L BLU
- SOCKET 11 PLUG
- SOCKET 12 PLUG
- SOCKET 13 086 L BLUE
- SOCKET 14 087 L GRAY
- SOCKET 15 084S L VIOLET
- SOCKET 16 083 L PINK
- SOCKET 17 PLUG
- SOCKET 18 153 L ORG
- SOCKET 19 099 L WHITE
- SOCKET 20 113 L ORG
- SOCKET 21 128 L BLU
- SOCKET 22 129 L YEL
- SOCKET 23 103 L BROWN
- SOCKET 24 104 L TAN
- SOCKET 25 105 L LT BLUE
- SOCKET 26 106 L GRN
- SOCKET 27 PLUG
- SOCKET 28 168 LT BLUE
- SOCKET 29 113Y L ORG
- SOCKET 30 113Z L ORG
- SOCKET 31 149 L DK GRN

TO 5701031 29 SCKT CONNECTOR

- SOCKET 1 019A L RED 12 GA
- SOCKET 2 019B L RED 12 GA
- SOCKET 3 020A L WHITE 12 GA
- SOCKET 4 020B L WHITE 12 GA
- SOCKET 5 013 L RED
- SOCKET 6 28 WHITE
- SOCKET 7 PLUG
- SOCKET 8 065 L RED
- SOCKET 9 PLUG
- SOCKET 10 PLUG
- SOCKET 11 PLUG
- SOCKET 12 PLUG
- SOCKET 13 130 L ORG
- SOCKET 14 133 WHT/RED
- SOCKET 15 PLUG
- SOCKET 16 PLUG
- SOCKET 17 153 L ORG
- SOCKET 18 PLUG
- SOCKET 19 137 L
- SOCKET 20 PLUG
- SOCKET 21 KEY PIN 0413-215-1605
- SOCKET 22 PLUG
- SOCKET 23 PLUG
- SOCKET 24 PLUG
- SOCKET 25 PLUG
- SOCKET 26 PLUG
- SOCKET 27 PLUG
- SOCKET 28 165 L WHT
- SOCKET 29 PLUG

