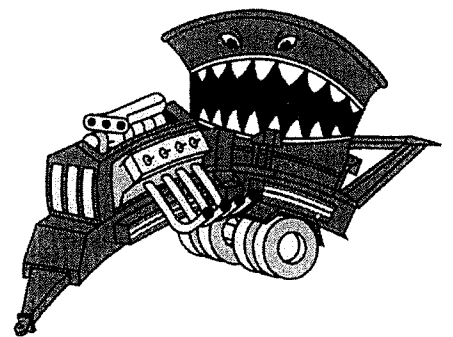


# **DURATECH**

# **IG-10 INDUSTRIAL GRINDER**

# **PARTS BOOK**



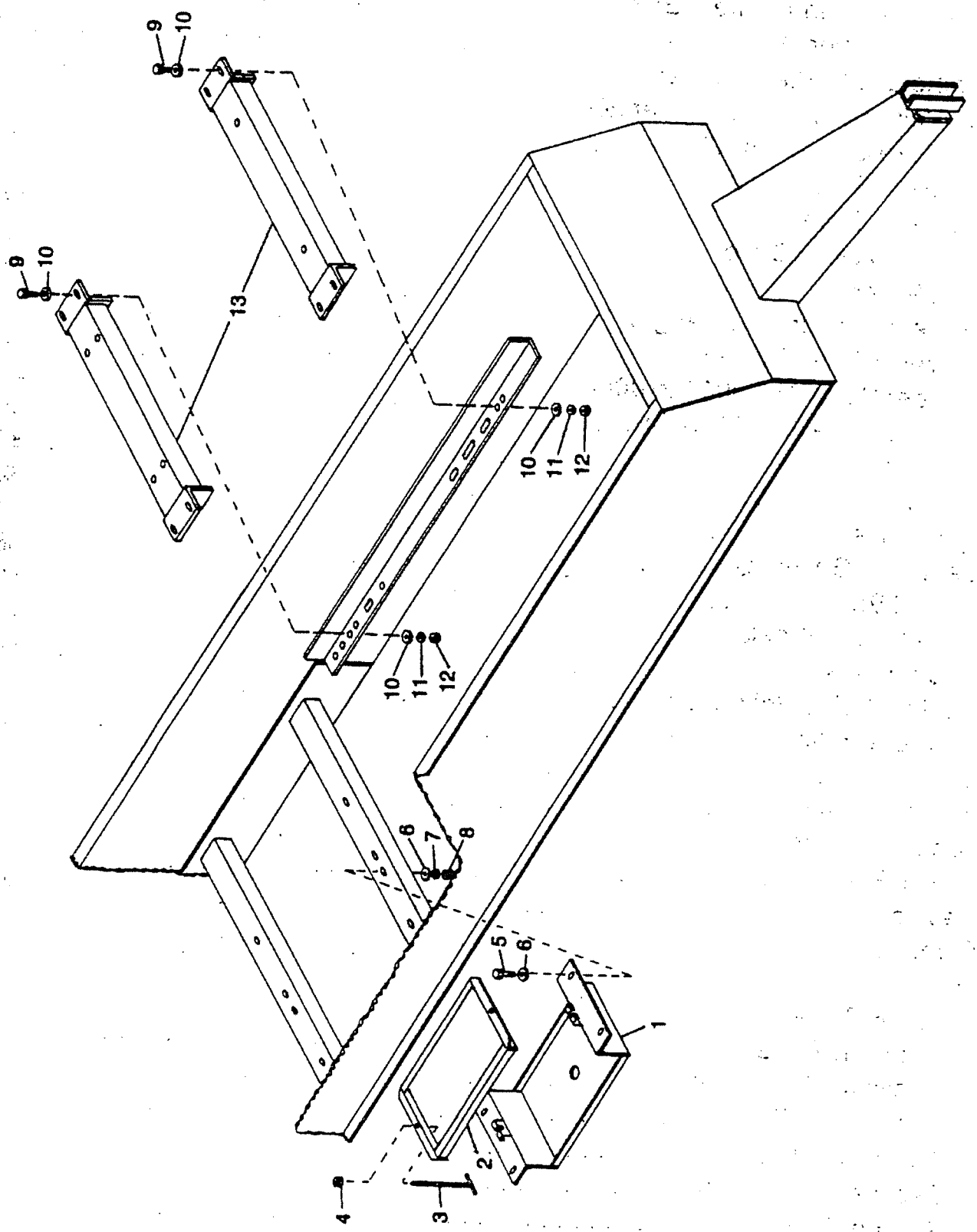
0500028



# TABLE OF CONTENTS

Motor Mount and Battery Box .....	2-3
Radiator Cover - Fuel Tank .....	4-5
Engine and Radiator Cover .....	6-7
Air Intake Screen, Caterpillar 260 .....	8-9
Air Intake Screen, JD 270 .....	10-11
Air Intake Screen, JD 300 .....	12-13
Tub Deck Drive .....	14-15
IG-10 Tub Deck Drive .....	16-17
Orbit Motor .....	18-19
Conveyor Winch and Hanger .....	20-21
Conveyor Drive System .....	22-25
Cylinder Serial No. 0001 thru 0004 .....	26-27
Cylinder Serial No. 0005 thru .....	28-29
Belly Conveyor .....	30-31
Conveyor .....	32-33
Hydraulics .....	34-37
Electronic Governor .....	38-39
Control Box .....	40-41
Axle - Hub - Wheels .....	42-43
Electric Brake .....	44-45
Lights - Wiring Schematic .....	46-47
Pressure Roller .....	48-49
Gear Box Curtis .....	50-51
Gear Box Prairie .....	50a-51a
Hydraulic Valve .....	52
Tub Drive Motor .....	53
Power Shaft .....	54-55
Decals .....	56-57
Slugbuster .....	58
<b>OPTIONS</b>	
Paper Grate .....	59
Magnetic Roller .....	60-61
Conveyor Extension .....	62-63
Tub Agitator .....	64-65
Tub Extension .....	66-69
Second Orbit Motor .....	70-73
Screen Rack .....	74-75
Fuel Tank (Saddle Type) .....	76-77
Hammer Patterns .....	78-80

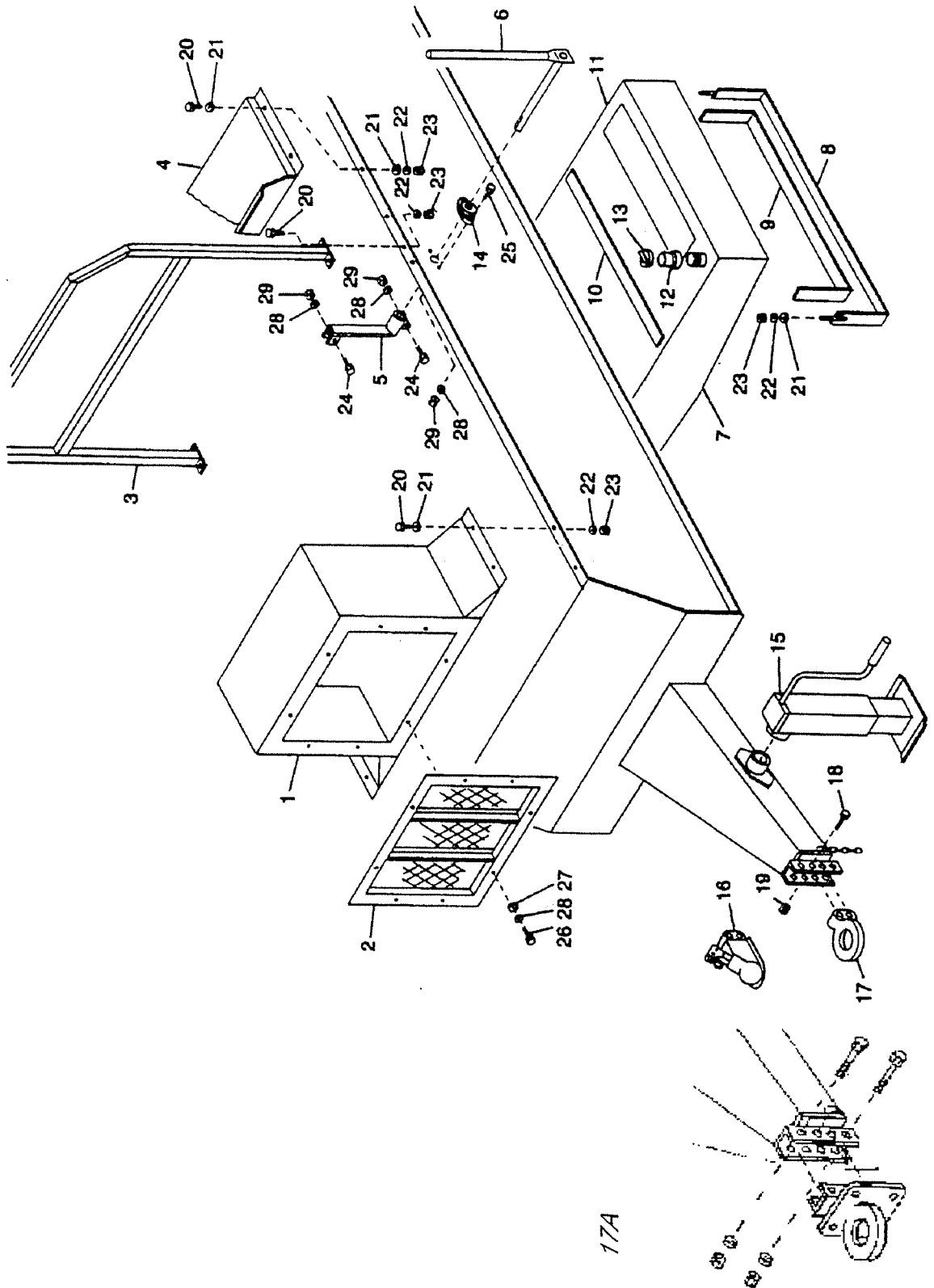
# MOTOR MOUNT AND BATTERY BOX



# MOTOR MOUNT AND BATTERY BOX

<u>ITEM</u>	<u>PART NO.</u>	<u>QTY</u>	<u>DESCRIPTION</u>
1	4700151	1	Battery Box
2	4700152	1	Battery Retainer
3	4700153	2	Battery Retaining Bolt
4	4900023	2	3/8" Lock Nut
5	4800082	4	1/2" X 1-1/2" Hex Bolt
6	5000004	8	1/2" Flat Washer
7	5000006	4	1/2" Lock Washer
8	4900001	4	1/2" Hex Nut
9	4800010	8	5/8" X 2" Hex Bolt
10	5000002	16	5/8" Flat Washer
11	5000003	8	5/8" Lock Washer
12	4900005	8	5/8" Hex Nut
13	4700146	1	Motor Mount - 274 H.P. Caterpillar 3306B DI Front
	4700147	1	Motor Mount - 274 H.P. Caterpillar 3306B DI Rear
	4700148	2	Motor Mount - 177 H.P. Cummins 6BTA5.9 - P
	4700149	2	Motor Mount - 270 & 300 H.P. John Deere 6076H & 6619A F-00
	4700150	2	Motor Mount - 234 H.P. Cummins 6CTA8.3 P

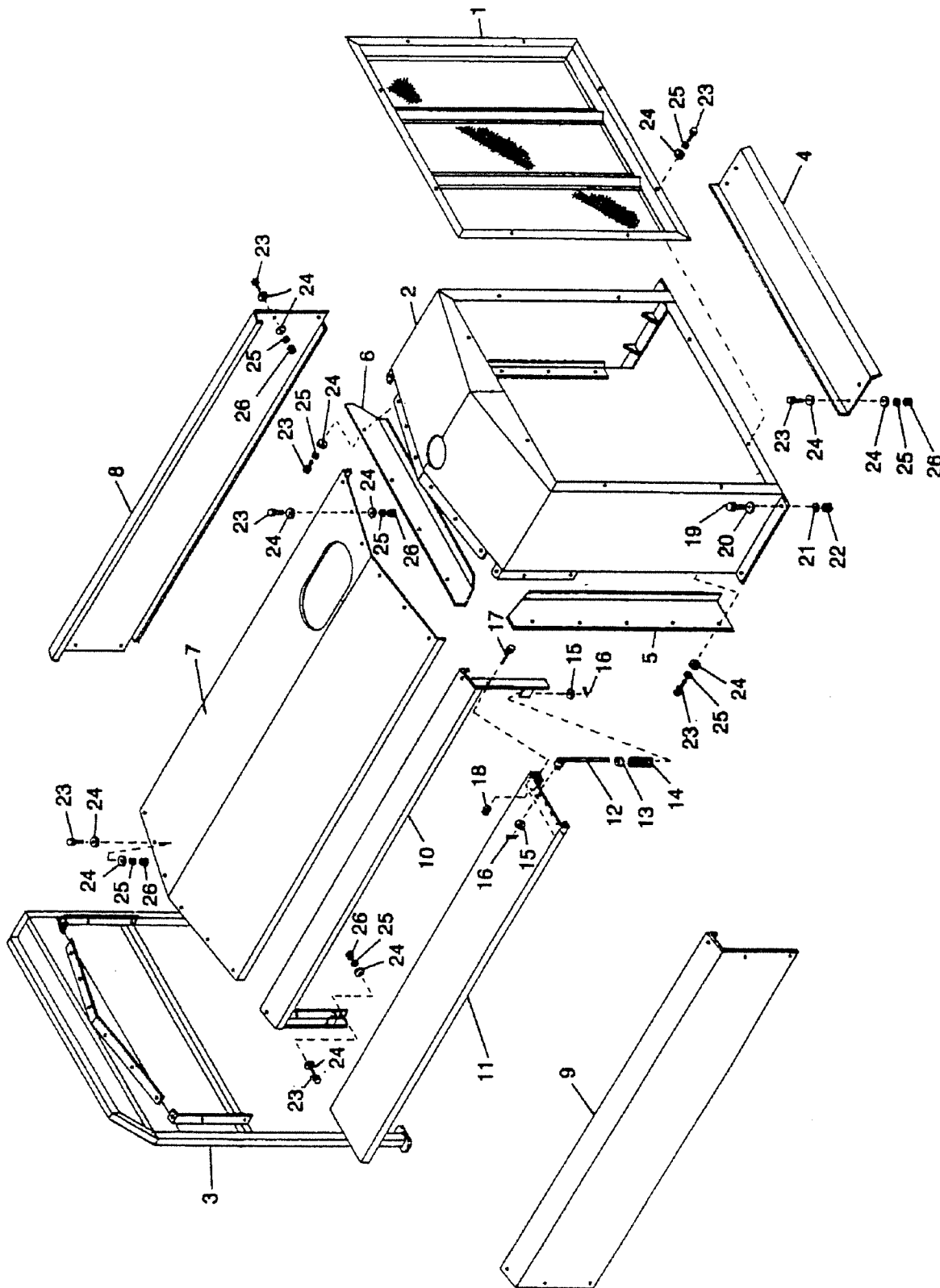
# RADIATOR COVER - FUEL TANK



## RADIATOR COVER - FUEL TANK

<u>ITEM.</u>	<u>PART NO</u>	<u>QTY</u>	<u>DESCRIPTION</u>
1	4700122	1	Radiator Cover
2	4700123	1	Grill
3	4700124	1	Rail
4	4700125	1	Walkway
5	4700126	1	Clutch Extension Mount
6	4700127	1	Clutch Handle Extension
7	4700128	1	Fuel Tank
8	4700129	2	Fuel Tank Strap
9	4700130	2	Belting 1/4" x 2" x 50"
10	4700131	2	Belting 1/4" x 2" x 35"
11	7500331	2	3M Safety-Walk 4" x 30"
12	7500298	1	Bead Neck Weld
13	7500226	1	Fuel Cap
14	2000310	1	1" Cast Flange Bearing
15	5800605	1	Jack 13-10,000
16	7500227	1	2-5/16" Ball Hitch
17	7500228	1	N/A Order Kit # 4701614
18	4800158	1	5/8" x 4-1/2" Bolt
19	4900012	2	5/8" Lock Nut
20	4800082	12	1/2" x 1-1/2" Hex Bolt
21	5000004	16	1/2" Flat Washer
22	5000006	16	1/2" Lock Washer
23	4900001	16	1/2" Hex Nut
24	4800029	2	3/8" x 2-1/2" Hex Bolt
25	4800098	2	3/8" x 1-1/4" Hex Bolt
26	4800003	8	3/8" x 1" Hex Bolt
27	5000001	8	3/8" Flat Washer
28	5000019	12	3/8" Lock Washer
29	4900002	4	3/8" Hex Nut
17A	4701614	1	Hitch\Kit\Pintle\Adaptor

# ENGINE AND RADIATOR COVER

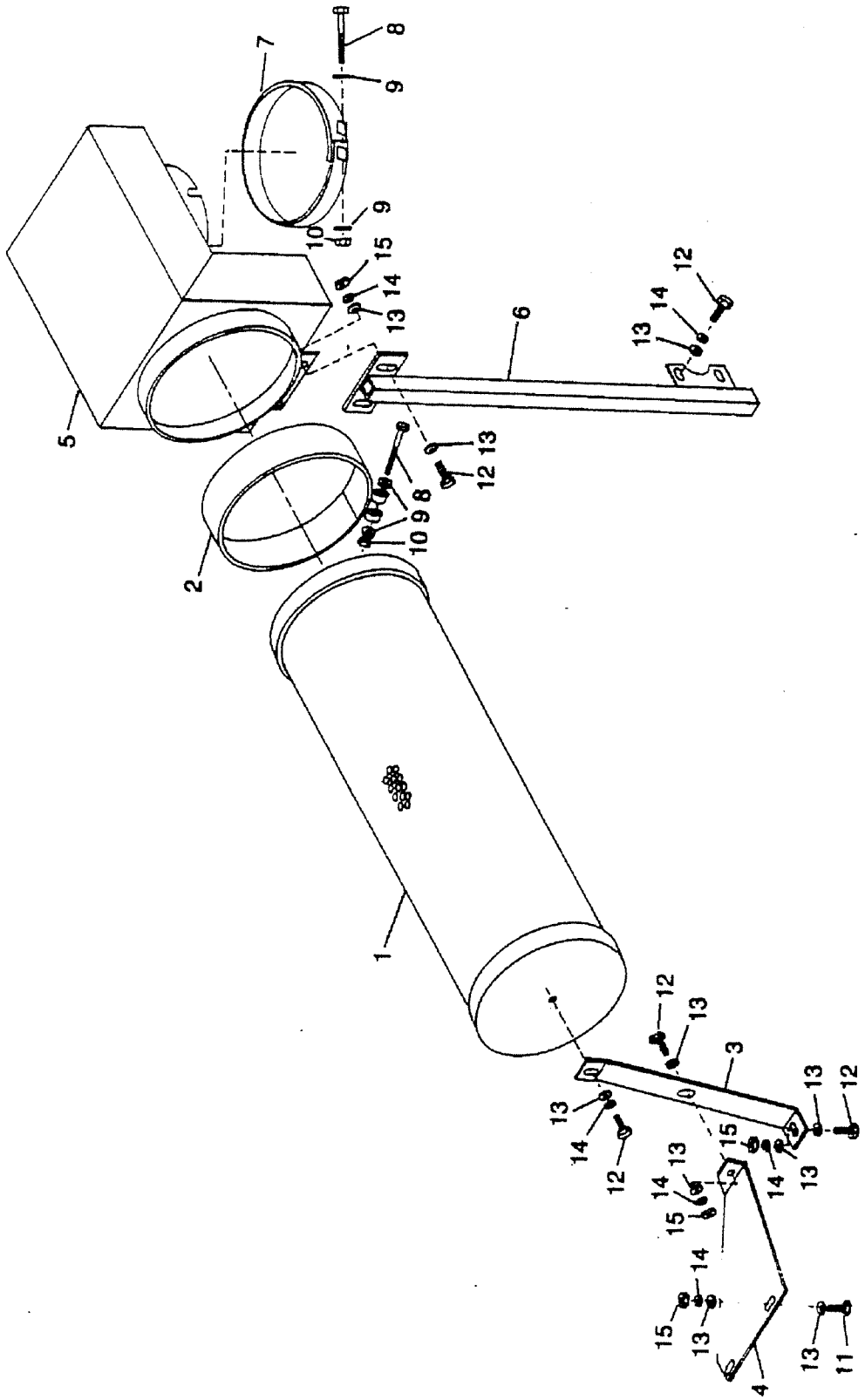




# ENGINE AND RADIATOR COVER

<u>ITEM</u>	<u>PART NO.</u>	<u>QTY</u>	<u>DESCRIPTION</u>
1	4700285	1	Grill
2	4700286	1	Cowling
3	4700287	1	Handrail
4	4700288	1	Front Frame Cover
5	4700289	2	Cowling Side Fin Cat 260 HP
	4700290	1	Cowling Side Fin LH John Deere 270 HP
	4700291	1	Cowling Side Fin RH John Deere 270 Hp
	4700292	1	Cowling Side Fin LH John Deere 300 HP
6	4700294	1	Cowling Top Fin Cat 260 HP
	4700295	1	Cowling Top Fin John Deere 270 HP
	4700296	1	Cowling Top Fin John Deere 300 HP
7	4700297	1	Hood Cat 260 HP
	4700298	1	Hood John Deere 270 HP
	4700299	1	Hood John Deere 300 HP
8	4700300	1	Hood Sides LH Cat 260 HP
	4700301	1	Hood Sides LH John Deere 270 & 300 HP
9	4700302	1	Hood Sides RH Cat 260 HP
10	4700303	1	Hood Sides Mount RH John Deere 270 & 300 HP
11	4700304	1	Hood Sides RH John Deere 270 & 300 HP
12	4700305	2	Hood Spring Rod John Deere 270 & 300 HP
13	2000810	2	7/16" Collar
14	6100012	2	Spring\Bagger
15	5000016	4	7/16" Flat Washer
16	4800127	4	1/8" X 1" Cotter Pin
17	4800156	2	3/8" X 3" Bolt
18	4900023	2	3/8" Lock Nut
19	4800018	4	1/2" X 1-1/4" Bolt
20	5000004	4	1/2" Flat Washer
21	5000006	4	1/2" Lock Washer
22	4900001	4	1/2" Nut
23	4800003	50	3/8" X 1" Bolt
24	5000001	78	3/8" Flat Washer
25	5000019	28	3/8" Lock Washer
26	4900002	28	3/8" Nut

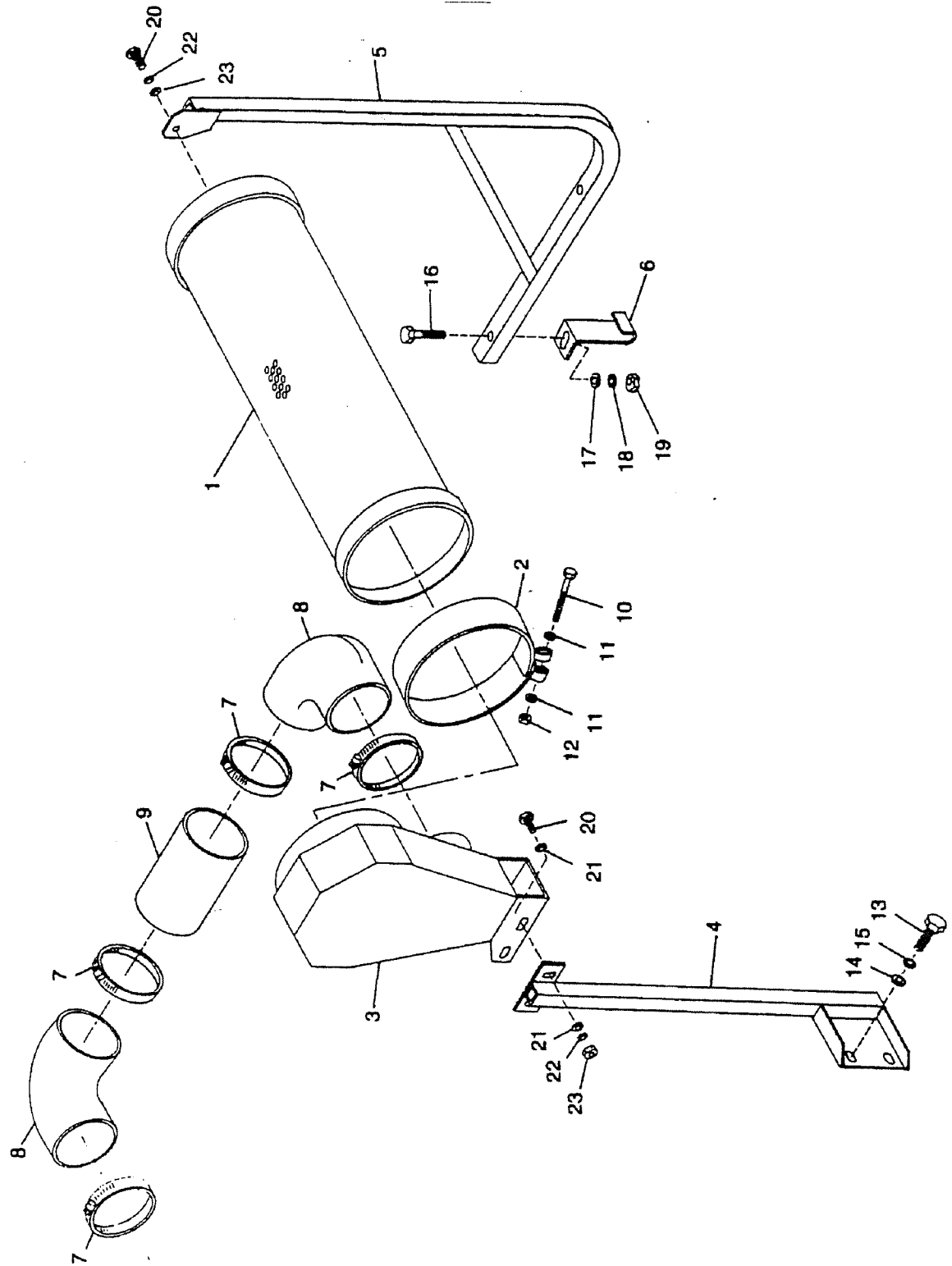
# AIR INTAKE SCREEN, CATERPILLAR 260 HP



# AIR INTAKE SCREEN, CATERPILLAR 260 HP

<u>ITEM</u>	<u>PART NO.</u>	<u>QTY</u>	<u>DESCRIPTION</u>
1	4700306	1	Air Intake Screen
2	4700307	1	Intake Screen Clamp
3	4700308	1	Screen Support Cat 260
4	4700309	1	Screen Support Mount Bracket Cat 260
5	4700310	1	Elbow Cat 260
6	4700311	1	Elbow Support Bracket Cat 260
7	4700312	1	Elbow Clamp Cat 260
8	4800219	2	5/16" x 4" Bolt
9	5000023	4	5/16" Flat Washer
10	4900099	2	5/16" Lock Nut
11	4800003	2	3/8" x 1" Bolt
12	4800098	7	3/8" x 1-1/4" Bolt
13	5000001	15	3/8" Flat Washer
14	5000019	8	3/8" Lock Washer
15	4900002	8	3/8" Nut

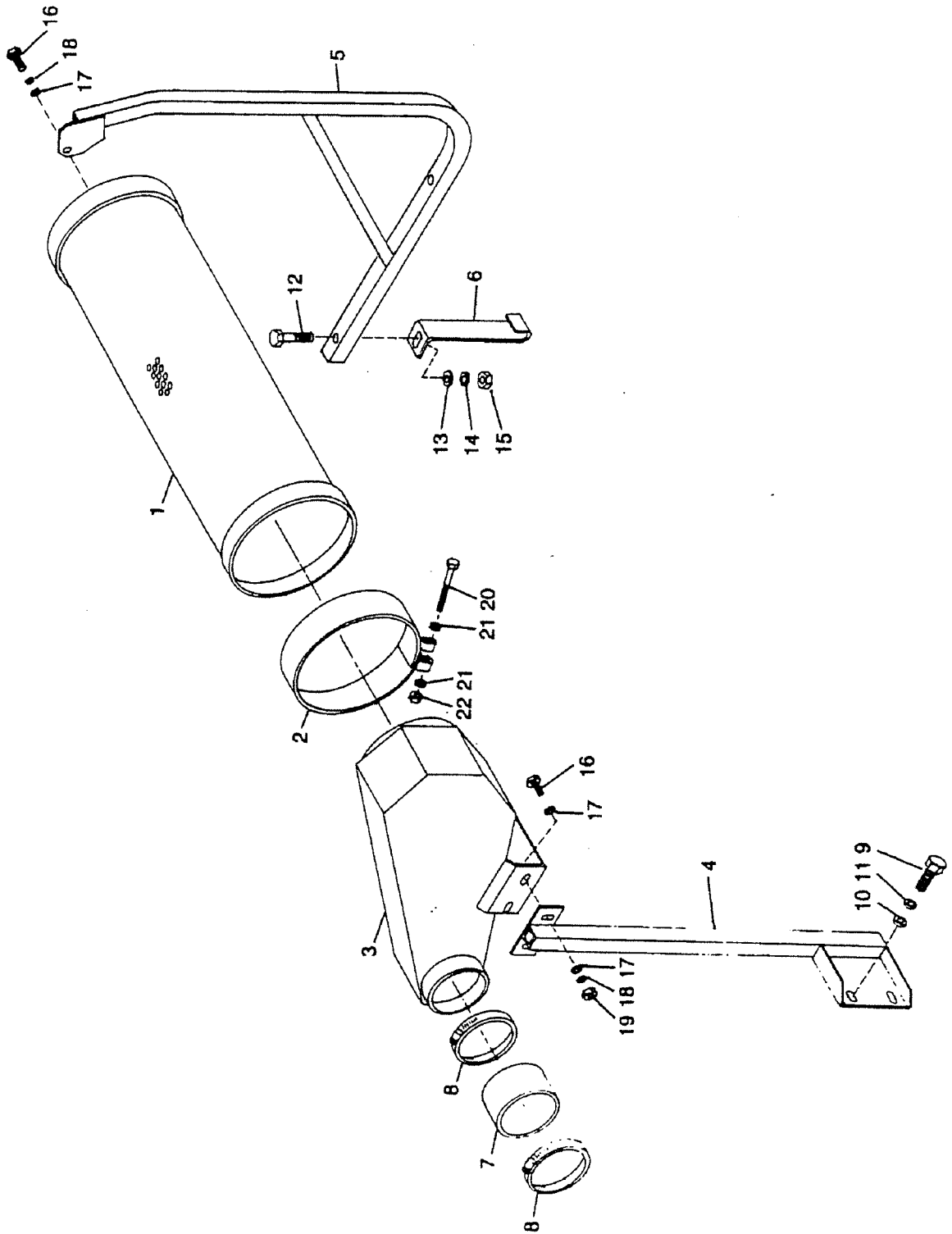
# AIR INTAKE SCREEN, JD 270 HP



## AIR INTAKE SCREEN, JD 270 HP

<u>ITEM</u>	<u>PART NO.</u>	<u>QTY</u>	<u>DESCRIPTION</u>
1	4700306	1	Air Intake Screen
2	4700307	1	Intake Screen Clamp
3	4700313	1	Elbow JD 270
4	4700314	1	Elbow Support Bracket JD 270
5	4700315	1	Screen Support JD 270
6	4700316	2	Mounting Hook JD 270
7	7500302	4	Hose Clamp NO.88
8	7500301	2	5" Rubber Elbow
9	4700317	1	Pipe 5" O.D. x 8"
10	4800219	1	5/16" x 4" Bolt
11	5000023	2	5/16" Flat Washer
12	4900099	1	5/16" Lock Nut
13	4800082	2	1/2" x 1-1/2" Bolt
14	5000004	2	1/2" Flat Washer
15	5000006	2	1/2" Lock Washer
16	4800068	2	1/2" x 3" Bolt
17	5000004	2	1/2" Flat Washer
18	5000006	2	1/2" Lock Washer
19	4900001	2	1/2" Nut
20	4800098	3	3/8" x 1-1/4" Bolt
21	5000001	5	3/8" Flat Washer
22	5000019	3	3/8" Lock Washer
23	4900002	2	3/8" Nut

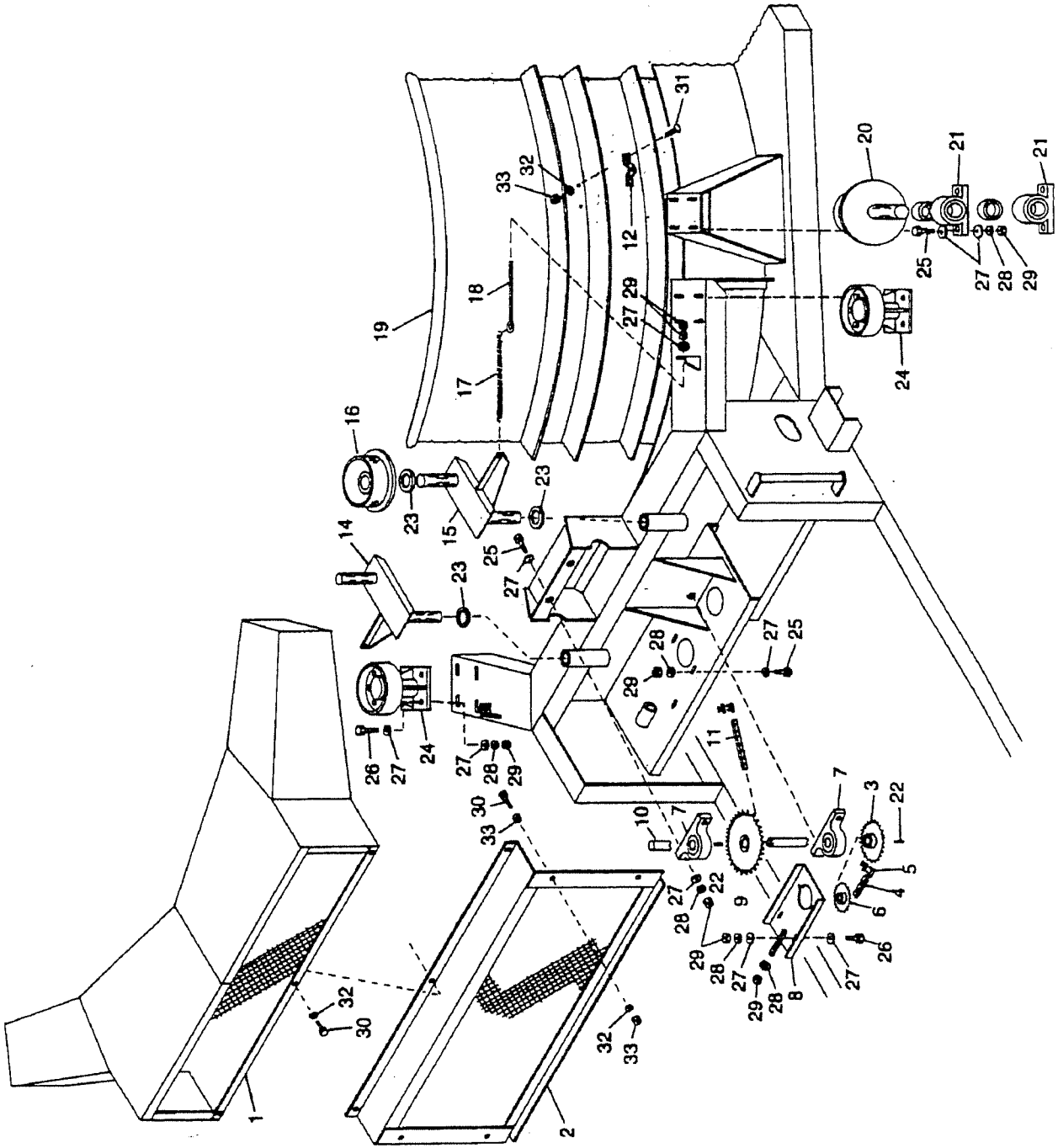
# AIR INTAKE SCREEN, JD 300



# AIR INTAKE SCREEN, JD 300

<u>ITEM</u>	<u>PART NO.</u>	<u>QTY</u>	<u>DESCRIPTION</u>
1	4700306	1	Air Intake Screen
2	4700307	1	Intake Screen Clamp
3	4700318	1	Elbow JD 300
4	4700319	1	Elbow Support Bracket JD 300
5	4700320	1	Screen Support JD 300
6	4700321	1	Mounting Hook JD 300
7	7500303	1	5" Rubber Hose 3' long
8	7500302	2	No. 88 Hose Clamp
9	4800082	2	1/2" x 1-1/2" Bolt
10	5000004	2	1/2" Flat Washer
11	5000006	2	1/2" Lock Washer
12	4800068	2	1/2" x 3" Bolt
13	5000004	2	1/2" Flat Washer
14	5000006	2	1/2" Lock Washer
15	4900001	2	1/2" Nut
16	4800098	3	3/8" x 1-1/4" Bolt
17	5000001	5	3/8" Flat Washer
18	5000019	3	3/8" Lock Washer
19	4900002	2	3/8" Nut
20	4800219	1	5/16" x 4" Bolt
21	5000023	2	5/16" Flat Washer
22	4900099	1	5/16" Lock Nut

# TUB DECK DRIVE

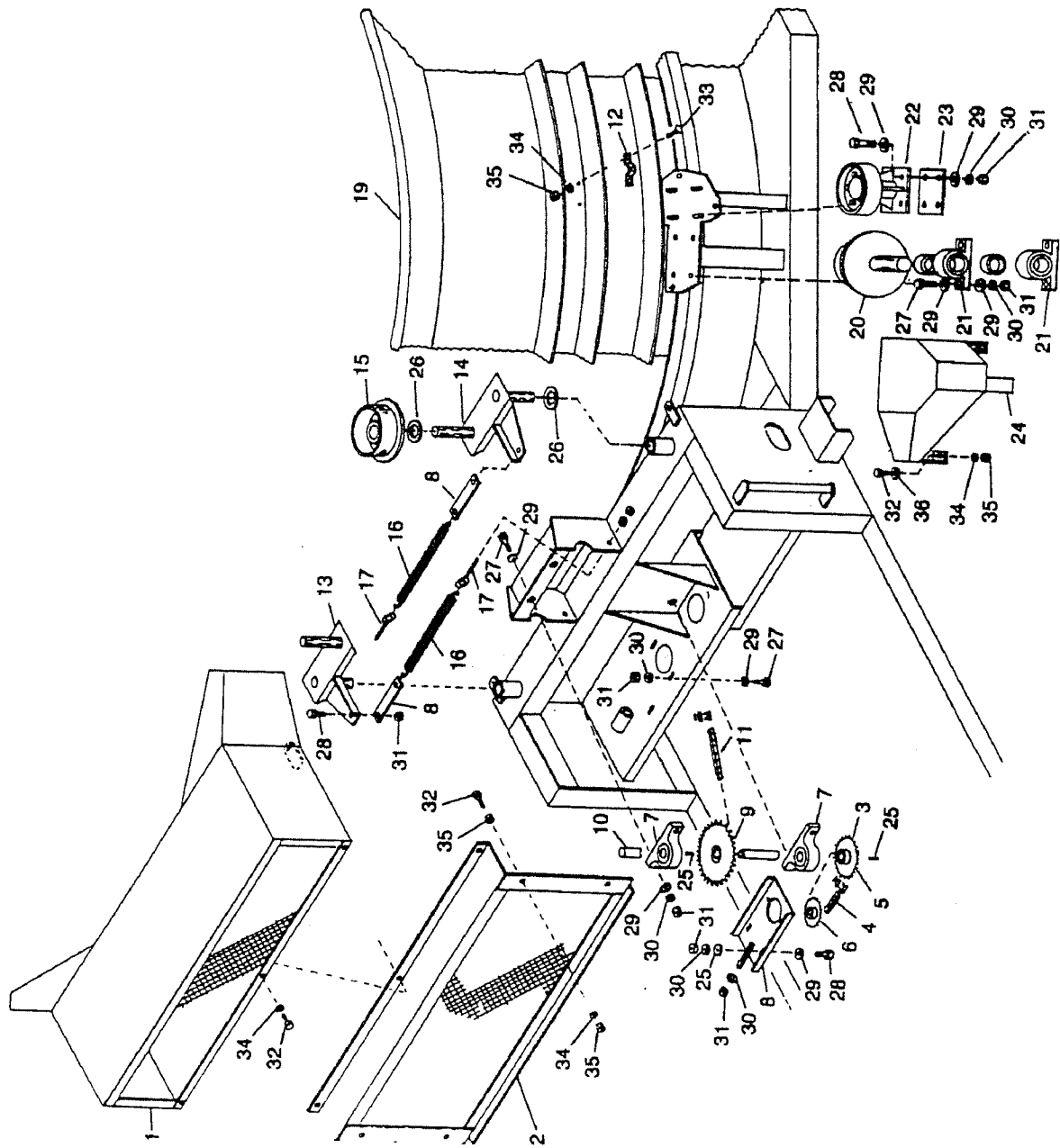




# TUB DECK DRIVE

<u>ITEM</u>	<u>PART NO.</u>	<u>QTY</u>	<u>DESCRIPTION</u>
1	4700019	1	Upper Tub Drive Shield
2	4700020	1	Lower Tub Drive Shield
3	1000009	1	6036 Sprocket
3A	1000133	1	6036 x 1-1/2" Bore Sprocket Serial No. 0005 thru
4	1100045	1	60 Chain 47 Links
5	1100062	1	60 Connector Link
6	1000134	1	Sprocket 60-12
7	2000502	2	Bearing 1-1/4" Pillow Block
7A	2000501	2	Bearing 1-1/2" Pillow Block Serial No. 0005 thru
8	4700018	1	Orbit Motor Tightening Bracket
9	1000077	1	80B 30 x 1-1/4" Bore Sprocket
9A	1000122	1	80B 30 x 1-1/2" Bore Sprocket Serial No. 0005 thru
10	4700021	1	Tub Drive Shaft 1-1/4" x 27-1/4" Serial No. 0001 thru 0004
10A	4700134	1	Tub Drive Shaft 1-1/2" x 28-3/4" Serial No. 0005 thru
11	1100075	1	2080 Chain 177 Links Plus Connector
12	4700023	3	Tub Knobs
13			
14	4700336	1	Swing Idler Arm R.H.
15	4700337	1	Swing Idler Arm L.H.
16	1200007	1	No. 6 Roller
17	6100001	2	Spring
18	4500197	2	Spring Tension Bolt 1/2" x 6-1/2"
19	4700027	1	Tub
20	4500972	4	No. 2 Roller
21	2000501	8	Bearing 1-1/2" P.B.
22	6200014	2	1/4" x 1-1/4" Square key
23	5000008	4	1-1/2" Narrow Rim Bushing
24			Pressure Roller, Refer to Page 48
25	4800114	22	1/2" x 2" Hex Bolt
26	4800082	12	1/2" x 1-1/2" Hex Bolt
27	5000004	68	1/2" Flat Washer
28	5000006	34	1/2" Lock Washer
29	4900001	38	1/2" Hex Nut
30	4800098	9	3/8" x 1-1/4" Hex Bolt
31	4800012	6	3/8" x 1-1/4" Carriage Bolt
32	5000019	15	3/8" Lock Washer
33	4900002	14	3/8" Hex Nut

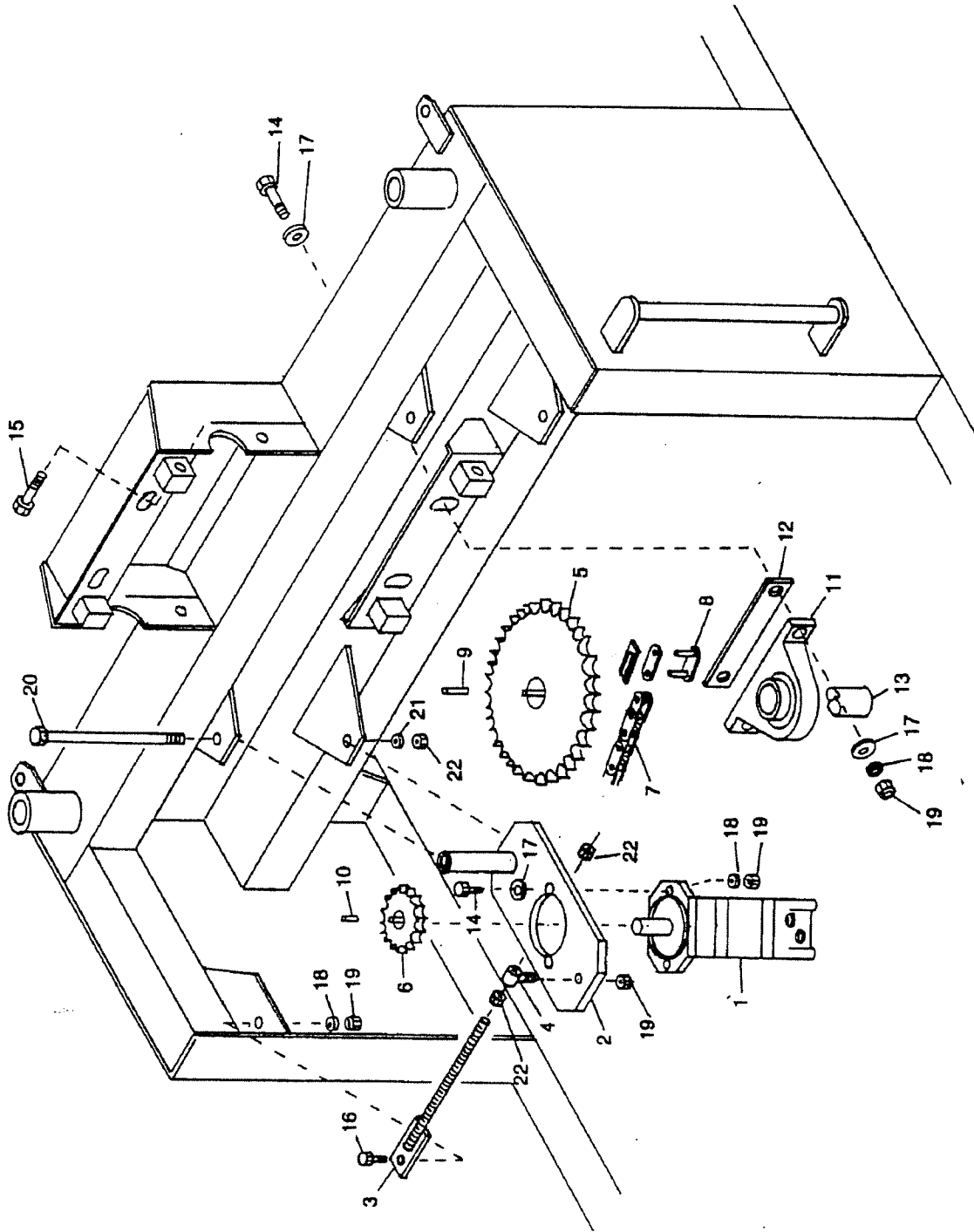
# IG-10 TUB DECK DRIVE



## IG-10 TUB DECK DRIVE

<u>ITEM</u>	<u>PART NO.</u>	<u>QTY</u>	<u>DESCRIPTION</u>
1	4700322	1	Upper Tub Drive Shield
2	4700020	1	Lower Tub Drive Shield
3	1000133	1	6036H 1-1/2" Bore Sprocket
4	1100045	1	60 Chain 47 Links
5	1100062	1	Connector Link
6	1000134	1	Sprocket 60-12H 1-1/4" Bore 5/16"KW
7	2000501	2	Bearing 1-1/2" Pillow Block
8	4700018	1	Orbit Motor Tightening Bracket
9	1000122	1	80B 30 x 1-1/2" Bore Sprocket
10	4700134	1	Tub Drive Shaft 1-1/2" x 28-3/4"
11	1100094	1	2080 Chain 157 Links Plus Connector
12	4700023	3	Tub Knobs
13	4700336	1	Swing Idler Arm RH
14	4700337	1	Swing Idler Arm LH
15	1200007	1	No. 6 Roller
16	6100001	2	Spring
17	4500197	2	Spring Tension Bolt
18	4700326	2	Spring Link
19	4700327	1	Tub With Flare
20	4500972	1	No. 2 Roller
21	2000501	8	Bearing 1-1/2" P.B.
22	4700235	4	Pressure Roller (Refer to Page 48)
23	4700328		Pressure Roller (Shim)
24	4700236	4	Roller Shield
25	6200020	1	3/8" Hardened Key
26	5000008	4	1-1/2" Narrow Rim Bushing
27	4800114	22	1/2" x 2" Hex Bolt
28	4800082	12	1/2" x 1-1/2" Hex Bolt
29	5000004	68	1/2" Flat Washer
30	5000006	34	1/2" Lock Washer
31	4900001	38	1/2" Hex Nut
32	4800098	21	3/8" x 1-1/4" Hex Bolt
33	4800012	6	3/8" x 1-1/4" Carriage Bolt
34	5000019	27	3/8" Lock Washer
35	4900002	26	3/8" Hex Nut
36	5000001	12	3/8" Flat Washer

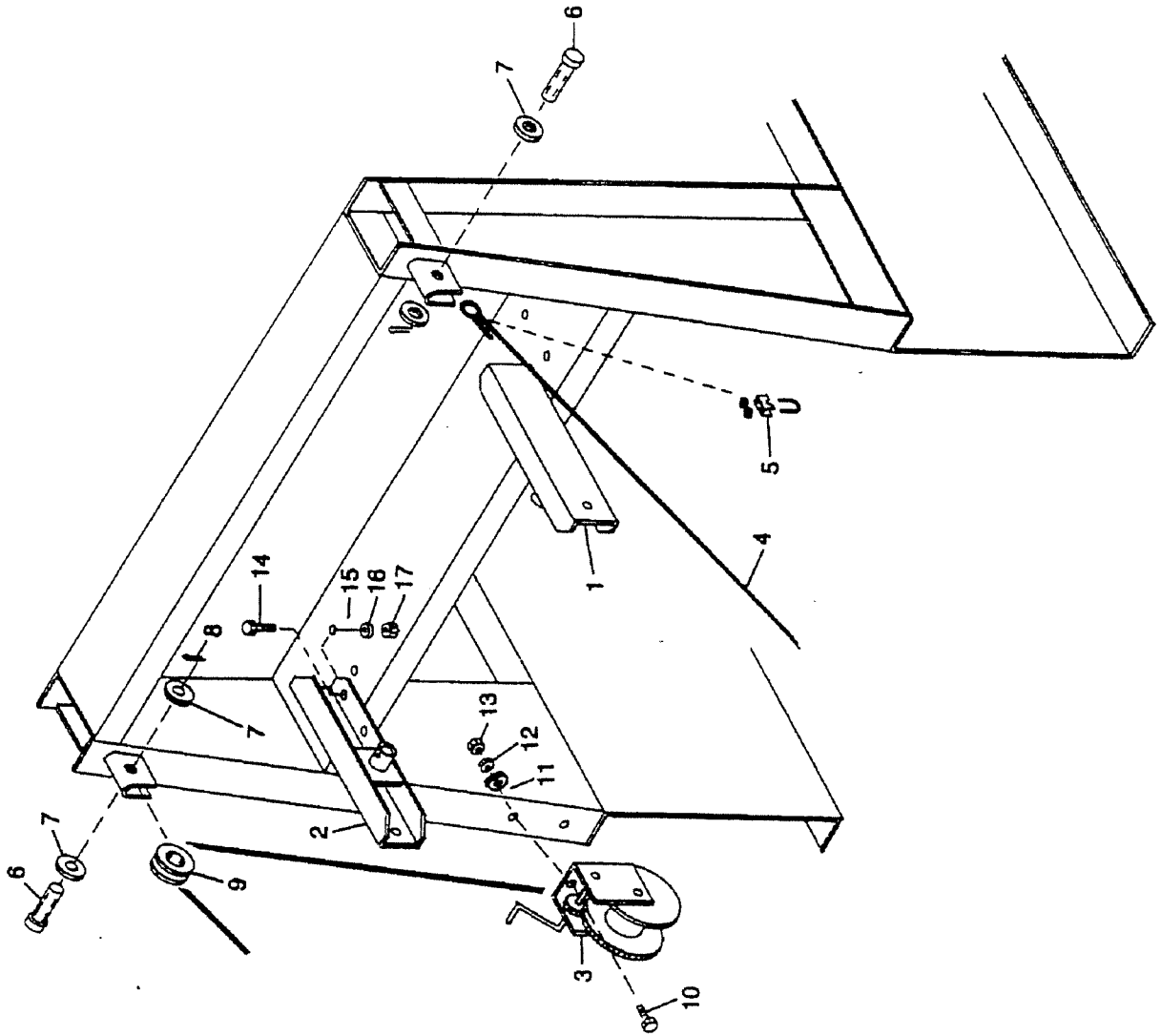
# ORBIT MOTOR



# ORBIT MOTOR

<u>ITEM</u>	<u>PART NO.</u>	<u>QTY</u>	<u>DESCRIPTION</u>
1	3900005	1	Orbit Motor M-2000
2	4700329	1	Orbit Motor Bracket
3	4700330	1	Orbit Motor Tightening Rod
4	4700331	1	Orbit Motor Tightening Rod Mount
5	1000133	1	6036H x 1-1/2" Bore Sprocket
6	1000134	1	612H Sprocket
7	1100159	1	60H Chain 53 Links
8	1100062	1	60 Chain Connector Link
9	6200020	1	3/8" Hardened Key
10	6200004	1	5/16" x 1-1/2" Square Key
11	2000501	2	Bearing 1-1/2" Pillow Block
12	4700332	6	Bearing Shim
13	4700471	1	Tub Drive Shaft 1-1/2" x 20-3/4 S/N #0073 thru
14	4800114	6	1/2" X 2" Bolt
15	4800251	2	1/2" x 2-1/4" Bolt
16	4800082	2	1/2" x 1-1/2" Bolt
17	5000004	10	1/2" Flat Washer
18	5000006	7	1/2" Lock Washer
19	4900001	7	1/2" Hex Nut
20	4800261	1	5/8" x 8-1/2" Bolt
21	5000003	1	5/8" Lock Washer
22	4900005	3	5/8" Hex Nut

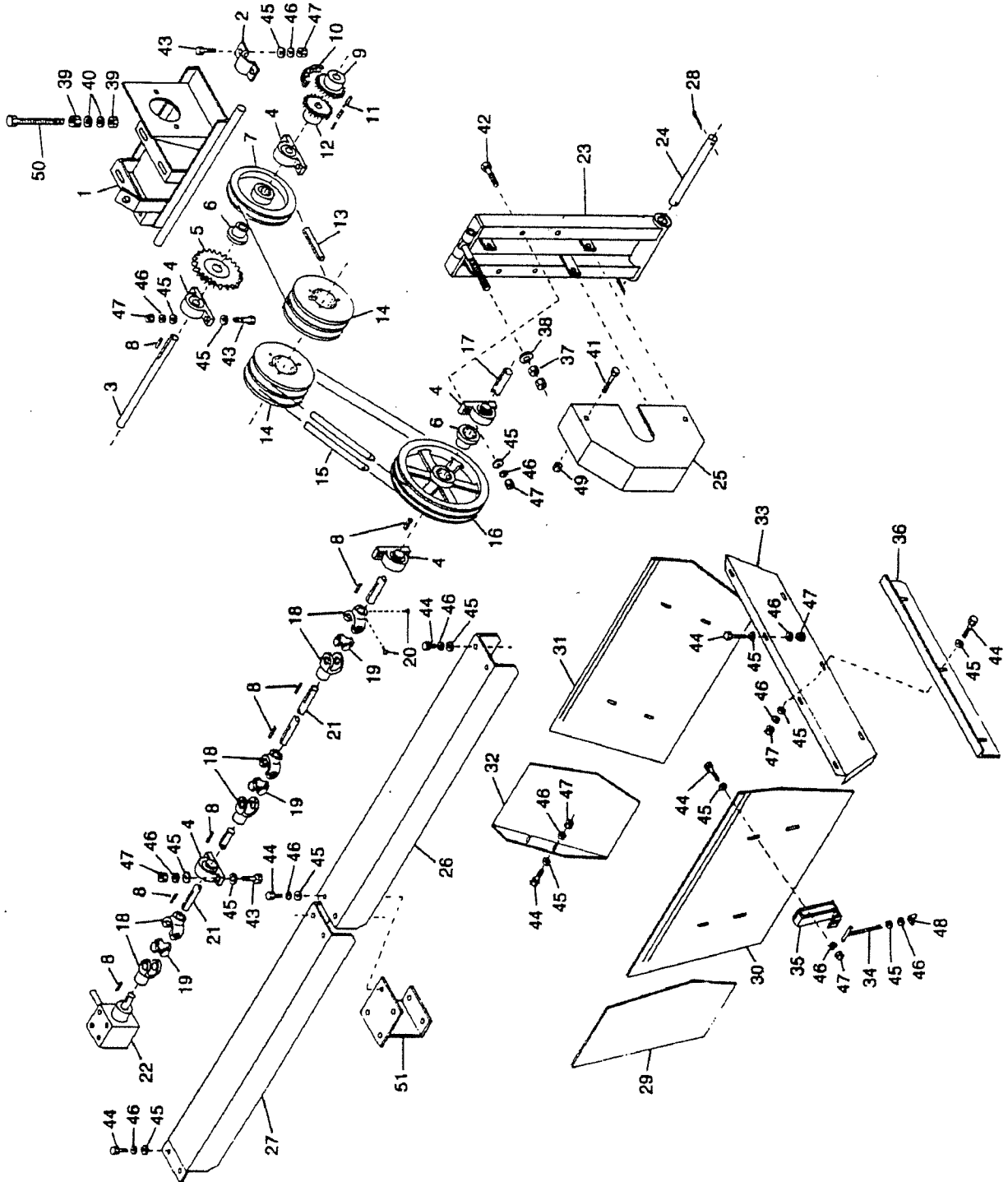
# CONVEYOR WINCH AND HANGER



## CONVEYOR WINCH AND HANGER

<u>ITEM</u>	<u>PART NO.</u>	<u>QTY</u>	<u>DESCRIPTION</u>
1	4700028	1	Right Hand Conveyor Support
2	4700029	1	Left Hand Conveyor Support
3	5800008	NA	Winch 1550 D & L
4	5800309	1	32 Foot 1/4" Cable
5	4800027	2	1/4" Cable Clamp
6	4800026	2	5/8" x 2" Clevis Pin
7	5000002	4	5/8" Flat Washer
8	4800123	2	1/8" x 1-1/2" Cotter Key
9	1400082	1	Cable Sheaves
10	4800003	2	3/8" x 1" Hex Bolt
11	5000001	2	3/8" Flat Washer
12	5000019	2	3/8" Lock Washer
13	4900002	2	3/8" Nut
14	4800114	4	1/2" x 2" Hex Bolt
15	5000004	4	1/2" Flat Washer
16	5000006	4	1/2" Lock Washer
17	4900001	4	1/2" Hex Nut

# CONVEYOR DRIVE SYSTEM

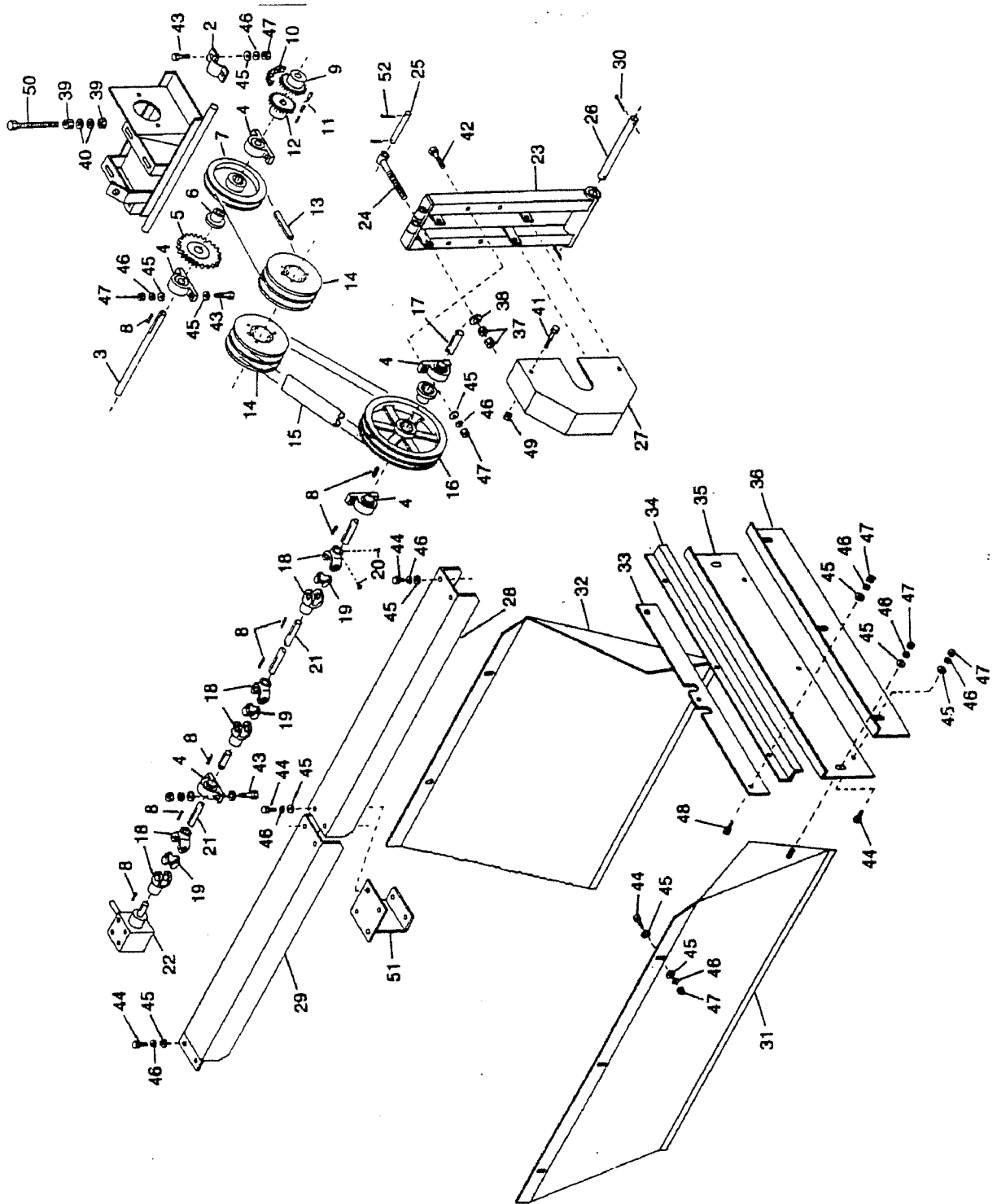




# CONVEYOR DRIVE SYSTEM

<u>ITEM</u>	<u>PART NO.</u>	<u>QTY</u>	<u>DESCRIPTION</u>
1	4700004	1	Pump Bracket
2	4500070	1	Clamp
3	4700001	1	9-1/2" x 1" Shaft
4	2000503	5	Bearing 1" Pillow Block
5	1000090	1	50B24 Sprocket 1" Bore
6	1400503	2	Hub 1" Bore
7	1400003	1	Pulley, BK7.2H 7"
8	6200014	8	1/4" Square Key, 1-1/4"
9	1000028	1	50B14 Sprocket 3/4" Bore
10	1100026	1	Double Chain
11	1100099	1	Double Chain Connector Link
12	1000029	2	50B14 Sprocket 1" Bore
13	1600020	1	Belt B46 Cogged
14	1400037	2	Pulley, 2B45Q, 6" . 3" Bore
15	1600047	2	Belt B73
16	1400046	1	Pulley 2B 10"
17	4700002	1	Shaft 1" x 9"
18	3600103	6	Yoke, 6N
19	3600008	3	#6 Cross & Bearing Kit
20	4800143	12	Socket Set Screw 3/8" x 3/8"
21	4700003	2	Shaft 1" x 37-1/4"
22	3100166	NA	1:1 35C Gear Box (see Page 50 & 50A) CURTIS
23	4700005	1	Conveyor Drive Cradle
24	4700006	1	1" x 8-1/2" Support Pin
25	4700007	1	Front Conveyor Drive Shield
26	4700008	1	Center Conveyor Drive Shield
27	4700009	1	Rear Conveyor Drive Shield
28	4800050	2	3/16" x 1-1/2" Cotter Pin
29	4700010	1	Right Hand Shield
30	4700011	1	Right Hand Belly Pan Side Cover
31	4700012	1	Left Hand Belly Pan Side Cover
32	4700013	1	Left Hand Shield
33	4700014	1	Cylinder Box Bottom Plate
34	4800071	4	Hold Down Bolt
35	4500160	4	Hold Down Handle
36	4700015	1	Belly Pan Front Plate
37	4900005	2	5/8" Hex Nut
38	5000002	1	5/8" Flat Washer
39	4900001	2	1/2" Hex Nut
40	5000004	2	1/2" Flat Washer
41	4800089	2	3/8" X 4" Bolt
42	4800156	4	3/8" X 3" Bolt
43	4800034	8	3/8" X 1-1/2" Bolt
44	4800003	27	3/8" X 1" Bolt
45	5000001	58	3/8" Flat Washer
46	5000019	43	3/8" Lock Washer
47	4900002	31	3/8" Hex Nut
48	4900032	4	3/8" Wing Nut
49	4900023	2	3/8" Lock Nut
50	4800191	1	1/2" x 6" Threaded Rod
51	4700176	1	Conveyor Drive Shield Mount

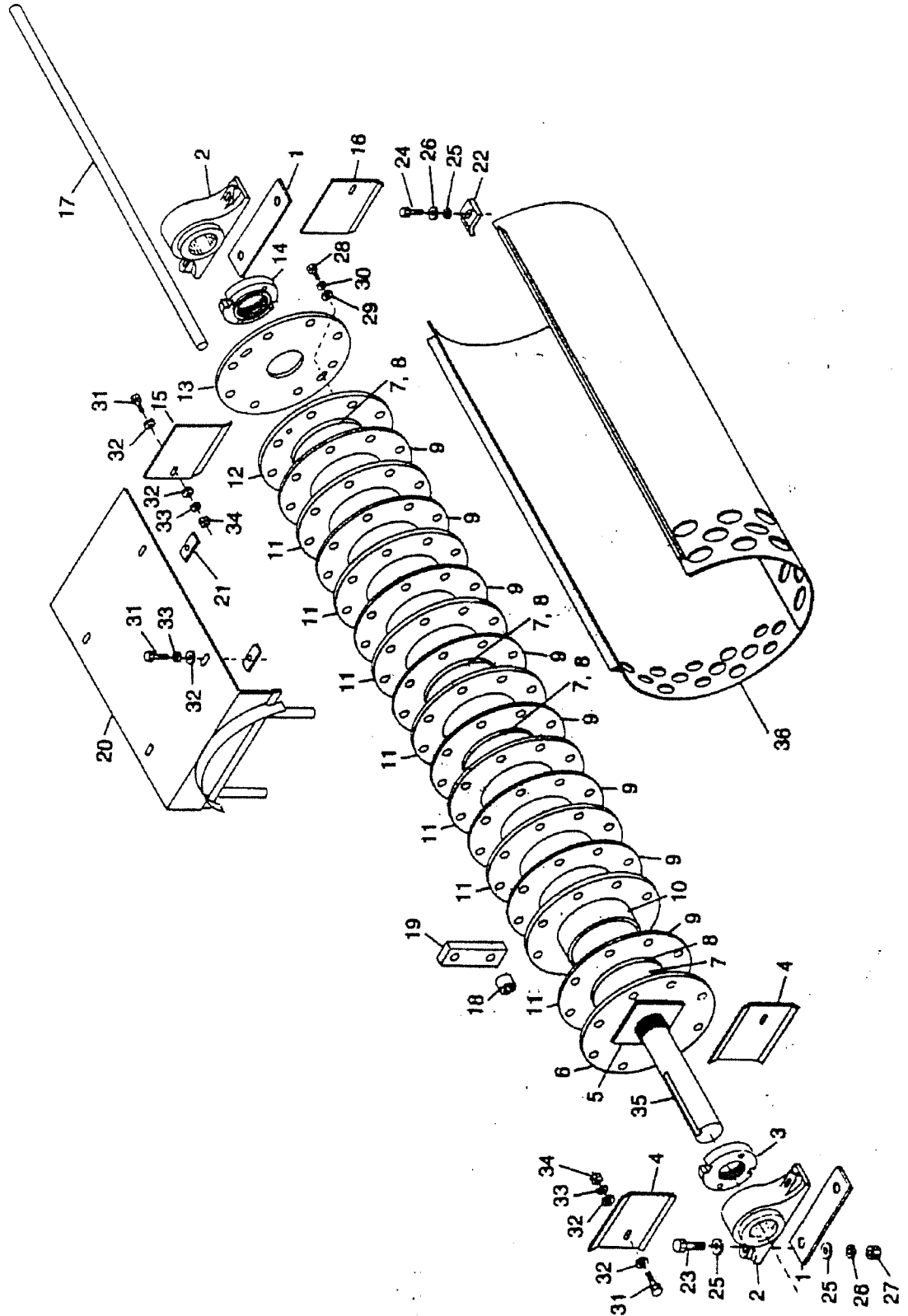
# CONVEYOR DRIVE SYSTEM



# CONVEYOR DRIVE SYSTEM

<u>ITEM</u>	<u>PART NO.</u>	<u>QTY</u>	<u>DESCRIPTION</u>	<u>ITEM</u>	<u>PART</u>	<u>QTY</u>	<u>DESCRIPTION</u>
1	4700004	1	Pump Bracket	52	4800123	2	1/8" X 1-1/2" Cotter Pin
2	4500070	1	Clamp				
3	4700001	1	9-1/2" x 1" Shaft				
4	2000503	5	Bearing 1" Pillow Block				
5	1000090	1	50B24 Sprocket 1" Bore				
6	1400503	2	Hub 1" Bore				
7	1400003	1	Pulley BK7.2H 7"				
8	6200014	8	1/4" Sq Key 1-1/4"				
9	1000028	1	50B14 Sprocket 3/4" Bore				
10	1100026	1	Double Chain				
11	1100099	1	Double Chain Connector Link				
12	1000029	2	50B14 Sprocket 1" Bore				
13	1600020	1	B46 Cogged Belt				
14	1400037	2	Pulley 2B56Q 6" (3" Bore)				
15	1600048	1	2B73 Banded Belt				
16	1400046	1	Pulley 2B10				
17	4700002	1	Shaft 1" x 9"				
18	3600103	6	Yoke 6N				
19	3600008	3	Cross & Bering Kit				
20	4800143	12	Socket Set Screw 3/8" X 3/8"				
21	4700003	2	Shaft 1" x 37-1/4"				
22	3100187	1	1:1 35C Gear Box (See Page ) PRAIRIE				
23	4700334	1	Conveyor Drive Cradle				
24	4700335	1	Adjusting Bolt				
25	4700336	1	5/8" x 5" Pin				
26	4700006	1	1" x 8-1/2" Support Pin				
27	4700007	1	Front Conveyor Drive Shield				
28	4700008	1	Center Conveyor Drive Shield				
29	4700009	1	Rear Conveyor Drive Shield				
30	4800050	2	3/16" x 1-1/2" Cotter Pin				
31	4700337	1	Right Hand Side Panels				
32	4700338	1	Left Hand Side Panels				
33	4700339	1	Plate				
34	4700340	1	Retainer				
35	4700341	1	Front Closure				
36	4700342	1	Adjustable Plate				
37	4900005	2	5/8" Hex Nut				
38	5000002	1	5/8" Flat Washer				
39	4900001	2	1/2" Hex Nut				
40	5000004	2	1/2" Flat Washer				
41	4800089	2	3/8" x 4" Bolt				
42	4800156	4	3/8" x 3" Bolt				
43	4800034	10	3/8" x 1-1/2" Bolt				
44	4800003	17	3/8" x 1" Bolt				
45	5000001	48	3/8" Flat Washer				
46	5000019	34	3/8" Lock Washer				
47	4900002	26	3/8" Hex Nut				
48	4800098	3	3/8" x 1-1/4" Bolt				
49	4900023	2	3/8" Lock Nut				
50	4800191	1	1/2" x 6" Threaded Rod				
51	4700176	1	Conveyor Drive Shield Mount				

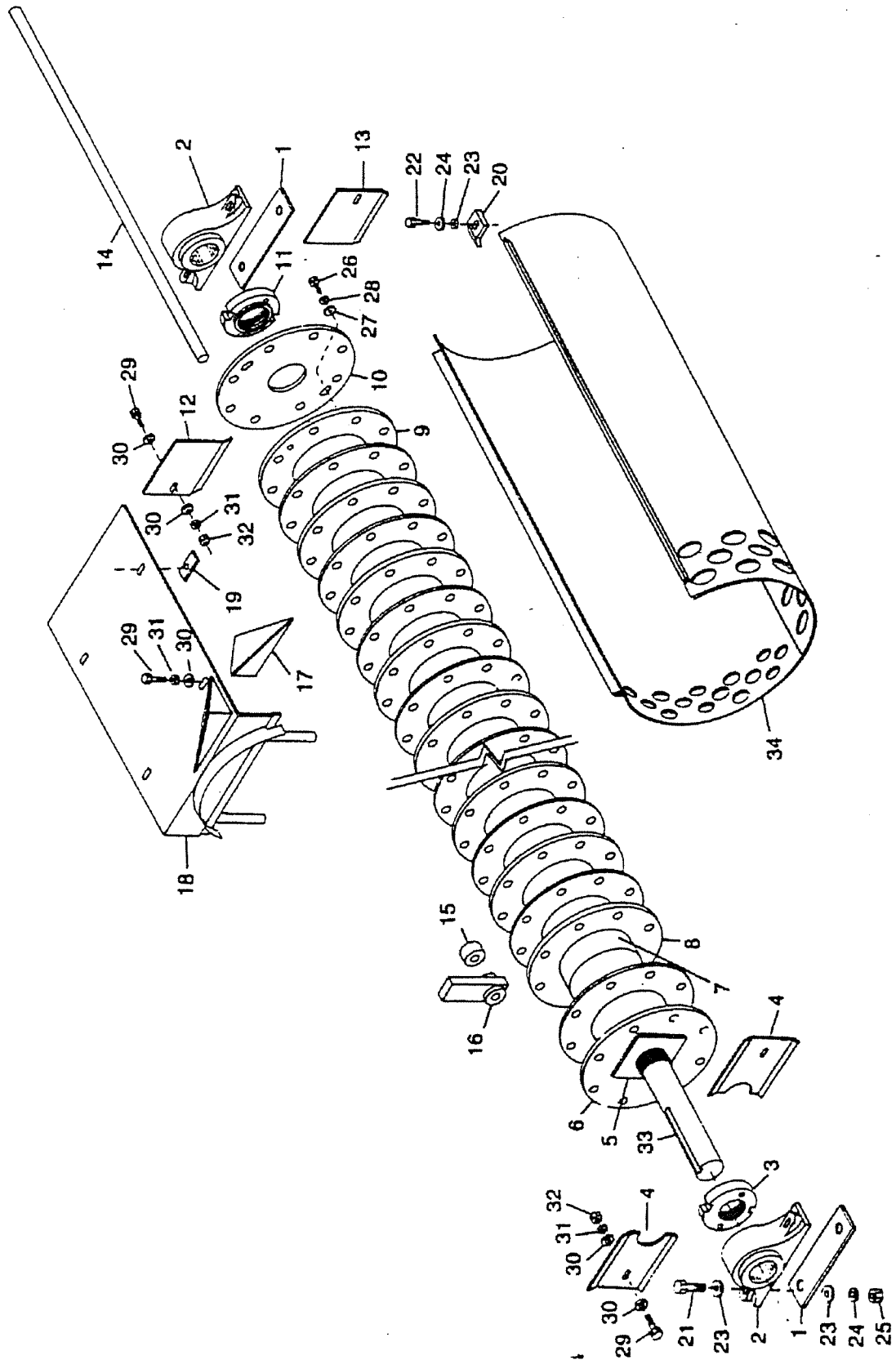
# CYLINDER \ SERIAL NO. 0001 TO 0004



# CYLINDER \ SERIAL NO. 0001 TO 0004

<u>ITEM</u>	<u>PART NO.</u>	<u>QTY</u>	<u>DESCRIPTON</u>
1	4700030	4	Bearing Shim. 7 GA
2	2000512	2	PB Bearing 3"
3	4500142	1	Cylinder Nut
4	4700032	2	Front Cylinder Bearing Plate 1/2"
5	4700033	2	Thrust Washer
6	4700034	1	Cylinder End Plate 1/2"
7	4700035	4	1.916 Solid Cylinder Spacer
8	4700036	4	.375 Solid Cylinder Spacer
9	4700037	8	1/4" Cylinder Plare
10	4700038	12	2-3/8" Cylinder Spacer
11	4700039	7	1/2" Cylinder Plate
12	4700040	1	1/2" Cylinder End Plate
13	4700041	1	Movable Plate
14	4500146	1	Cylinder Nut w/Shoulder
15	4500144	1	Rear Cylinder Bearing Plate RH
16	4500145	1	Rear Cylinder Bearing Plate LH
17	5300020	8	Hammer Rod
18	4700169		Hammer Rod Spacer
20	4700048	1	Cylinder Bearing Cover
21	4700049	4	Clips
22	4700050	2	Screen Hold Down Clip
23	4800100	4	5/8" x 4" Bolt
24	4800054	2	5/8" x 3-1/2" Bolt
25	5000002	10	5/8" Flat Washer
26	5000003	6	5/8" Lock Washer
27	4900005	6	5/8" Hex Nut
28	4800085	2	1/2" x 1" Bolt
29	5000004	2	1/2" Flat Washer
30	5000006	2	1/2" Lock Washer
31	4800003	8	3/8" x 1" Bolt
32	5000001	12	3/8" Flat Washer
33	5000019	8	3/8" Lock Washer
34	4900002	8	3/8" Nut
35	4700051	1	Cylinder Shaft 3-1/2" x 65"
36	4700052		3/16" Screen
	4700053		1/4" Screen
	4700054		3/8" Screen
	4700055		1/2" Screen
	4700056		5/8" Screen
	4700057		3/4" Screen
	4700058		1" Screen
	4700059		1-1/2" Screen
	4700060		2" Screen
	4700061		3" Screen
	4700062		4" Screen
	4700063		Dummy Screen

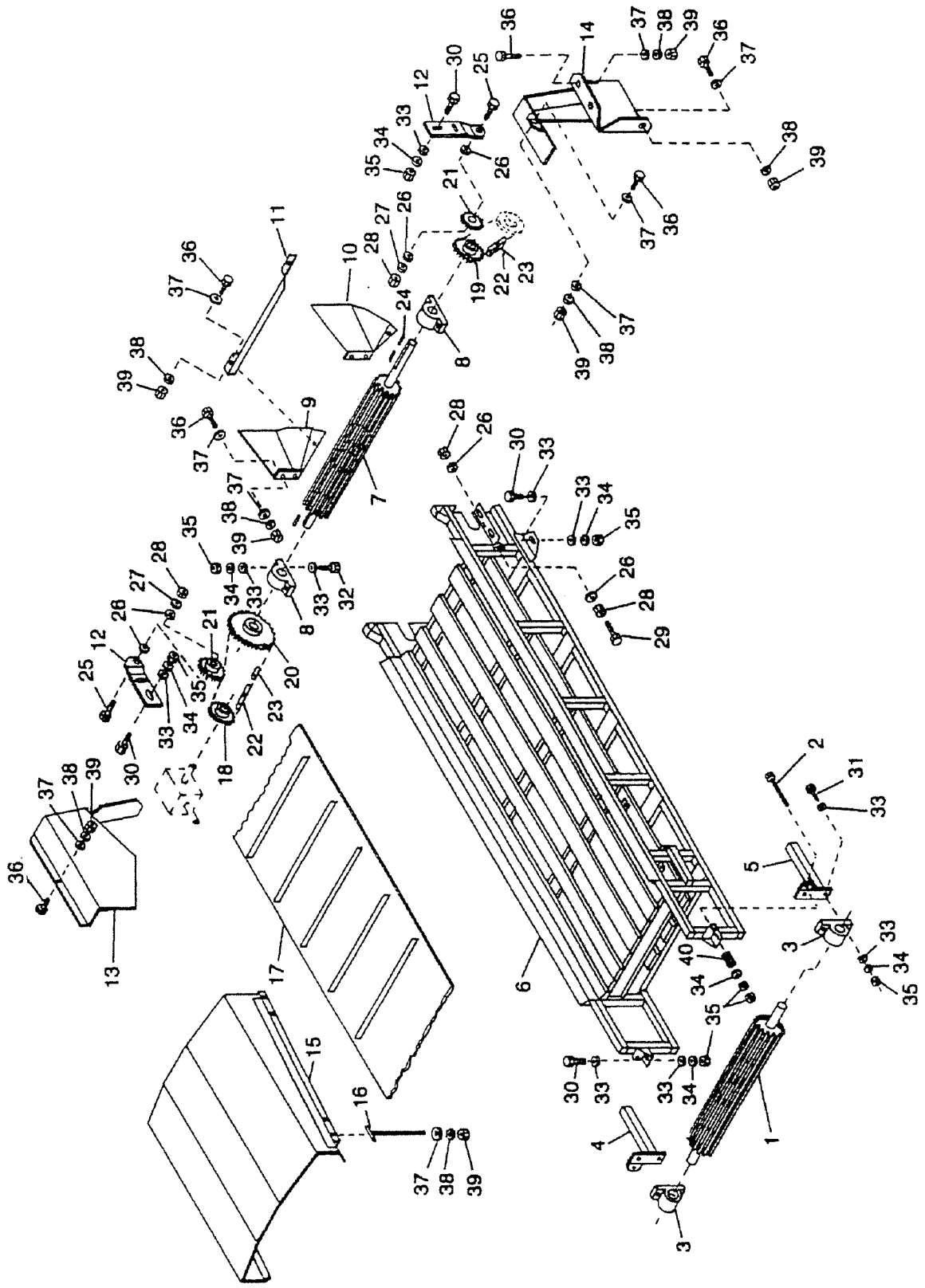
# CYLINDER SERIAL NO. 0005 THRU



# CYLINDER SERIAL NO. 0005 THRU

<u>ITEM</u>	<u>PART NO.</u>	<u>QTY</u>	<u>DESCRIPTION</u>
1	4700030	4	Bearing Shim 7 GA
2	2000512	2	P.B. Bearing 3"
3	4500142	1	Cylinder Nut
4	4700032	2	Front Cylinder Bearing Plate
5	4700033	2	Thrust Washer
6	4700034	1	Cylinder End Plate 1.2"
7	4700132	21	1.514 Solid Cylinder Spacer
8	4700039	20	1/2" Cylinder Plate
9	4700040	1	1/2" Cylinder End Plate
10	4700041	1	Movable Plate
11	4500146	1	Cylinder Nut w/Shoulder
12	4500144	1	Rear Cylinder Bearing Plate RH
13	4500145	1	Rear Cylinder Bearing Plate LH
14	5300020	8	Hammer Rod 43x15/16
15	4700169	78	Hammer Rod Shock Spacer
16	5200152	78	Hammer 3/4" AB\1-Hole
17	4700343	1	Platform Riser (Weld On)
18	4700048	1	Cylinder Bearing Cover w/Riser
19	4700049	4	Clips
20	4700050	2	Screen Hold Down Clip
21	4800100	4	5/8" x 4" Bolt
22	4800054	2	5/8" x 3-1/2" Bolt
23	5000002	10	5/8" Flat Washer
24	5000003	6	5/8" Lock Washer
25	4900005	6	5/8" Nut
26	4800085	2	1/2" X 1" Bolt
27	5000004	2	1/2" Flat Washer
28	5000006	2	1/2" Lock Washer
29	4800003	8	3/8" x 1" Bolt
30	5000001	12	3/8" Flat Washer
31	5000019	8	3/8" Lock Washer
32	4900002	8	3/8" Nut
33	4700051	1	Cylinder Shaft 3-1/2" x 65"
34	4701608		2" Screen 1/2" Thick
	4701487		3" Screen 1/2" Thick
	4701471		4" Screen 1/2" Thick
	4701468		1" Screen 1/2" Thick
	4700186		5/8" Screen 1/2" Thick
	4701486		3/4" Screen 1/2" Thick
	4700201		Dummy Screen
8a	4700951		1/2" Plate 4-1/2" ID 15/16 Rods
	4700685		Rotor New 3-1/2" Shaft 1/2" Plate 15/16" Rods
	4700675		Rotor Rebuilt 3-1/2" Shaft 1/2" Plate 15/16" Rods
	4700688		Rotor New 4-1/2" Shaft 1/2" Plate 15/16" Rods
	4701024		Rotor New 4-1/2" Shaft 1/2" Plte 1.25 Rods
	4700678		Rotor Rebuilt 4-1/2" Shaft 1/2" Plate 1.25 Rods
	6200048		1/2 X 3/4 X 4" Key

# BELLY CONVEYOR

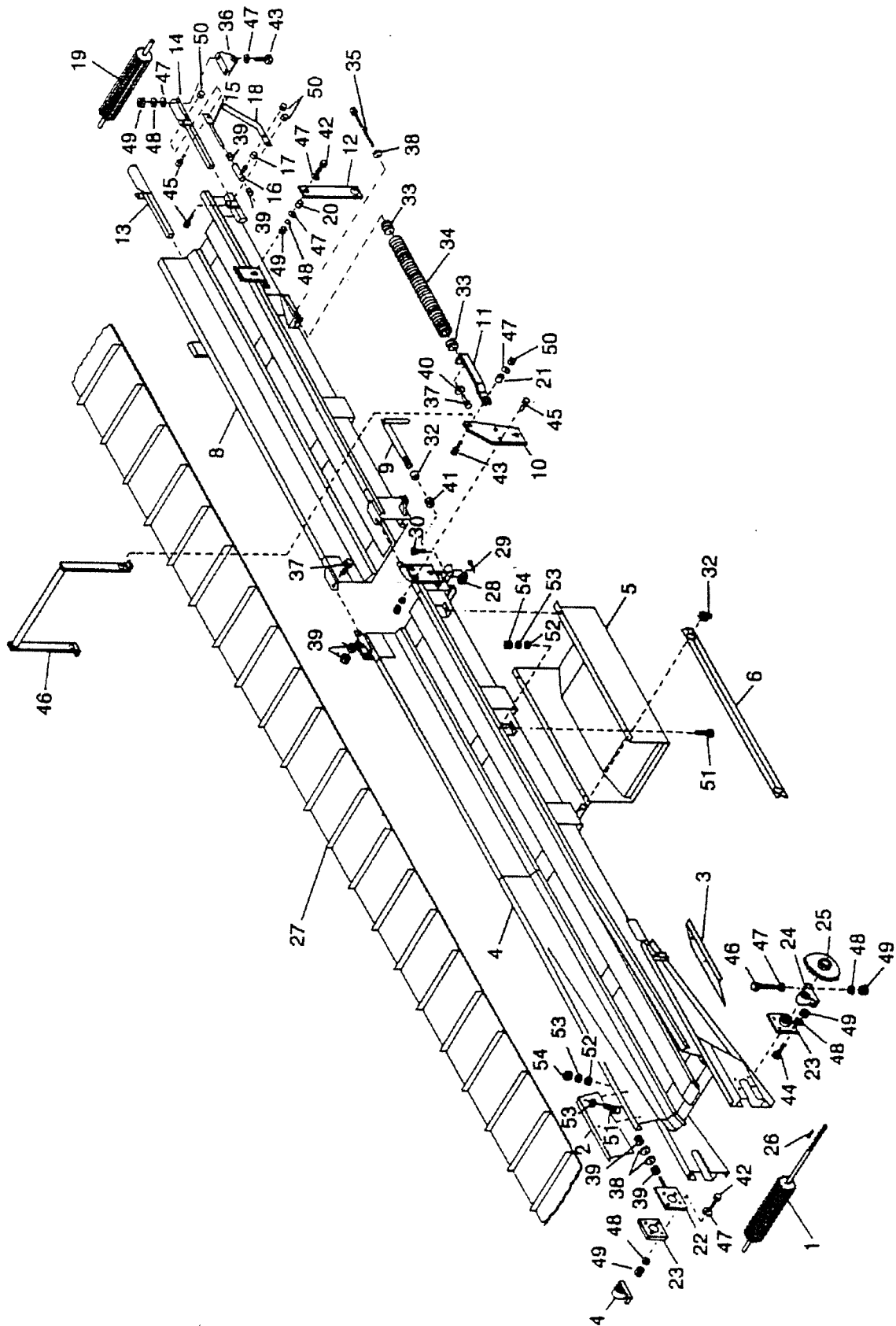




# BELLY CONVEYOR

<u>ITEM</u>	<u>PART NO.</u>	<u>QTY</u>	<u>DESCRIPTION</u>
1	4700064	1	Idler Roller 1-1/4" Shaft
2	4700065	2	1/2 x 14" Adj. Bolt
3	2000502	2	Bearing 1-1/4" Pillow Block
4	4700066	1	Bearing Bracket (RH)
5	4700067	1	Bearing Bracket (LH)
6	4700068	1	Belly Pan Frame
7	4700069	1	Drive Roller 1-1/2" Shaft
8	2000501	2	Bearing 1-1/2" Pillow Block
9	4700070	1	Deflector (RH)
10	4700071	1	Deflector (LH)
11	4700344	1	Deflector Brace
12	4700072	2	Idler Bracket
13	4700073	1	Shield (RH)
14	4700074	1	Shield (LH)
15	4700345	1	Belly Pan Cover
16	4700346	4	Cover Hold Down
17	1700031	1	Belly Pan Belt 30" x 18'
18	1000128	1	60B15H Sprocket 1" Bore
18A	1000129	1	60B12H Sprocket 1" Bore Option
19	1000130	1	60B15H Sprocket 1-1/2" Bore
20	1000131	1	60B30H Sprocket 1-1/2" Bore
21	1000007	2	Idler Sprocket
22	1100005	2	60 Chain 61 Links
23	1100062	2	60 Connector Link
24	6200008	2	3/8" Square Key
25	4800079	2	5/8" x 2-1/2" Hex Bolt
26	5000002	12	5/8" Flat Washer
27	5000003	2	5/8" Lock Washer
28	4900005	6	5/8" Nut
29	4800096	2	5/8" x 6 Adj. Bolt
30	4800082	8	1/2" x 1-1/2" Bolt
31	4800114	4	1/2" x 2" Bolt
32	4800070	4	1/2" x 2-1/2" Bolt
33	5000004	34	1/2" Flat Washer
34	5000006	16	1/2" Lock Washer
35	4900001	20	1/2" Hex Nut
36	4800003	10	3/8" x 1" Bolt
37	5000001	16	3/8" Lock Washer
38	5000019	10	3/8" Lock Washer
39	4900002	10	3/8" Hex Nut
40	6100027	2	Spring

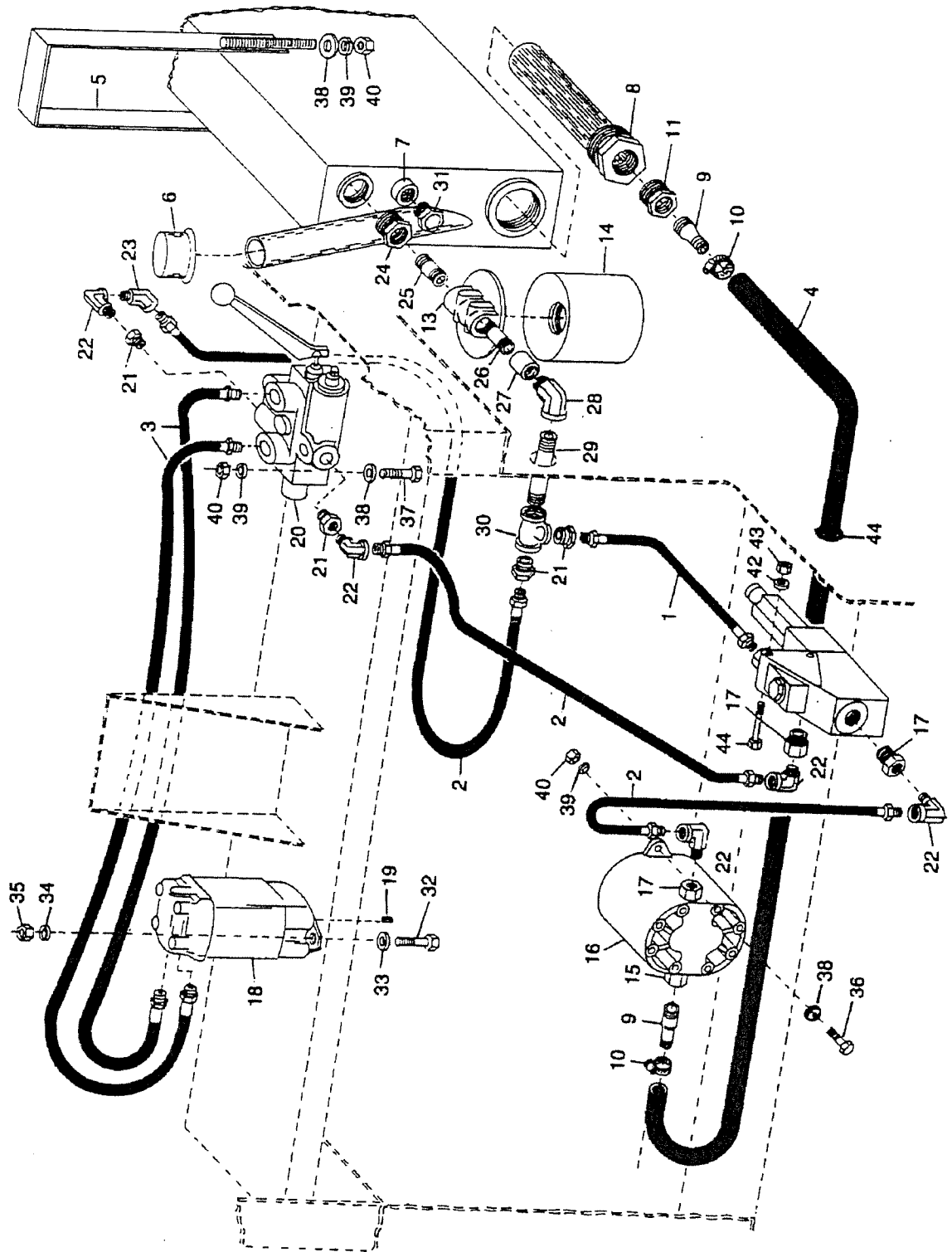
# CONVEYOR



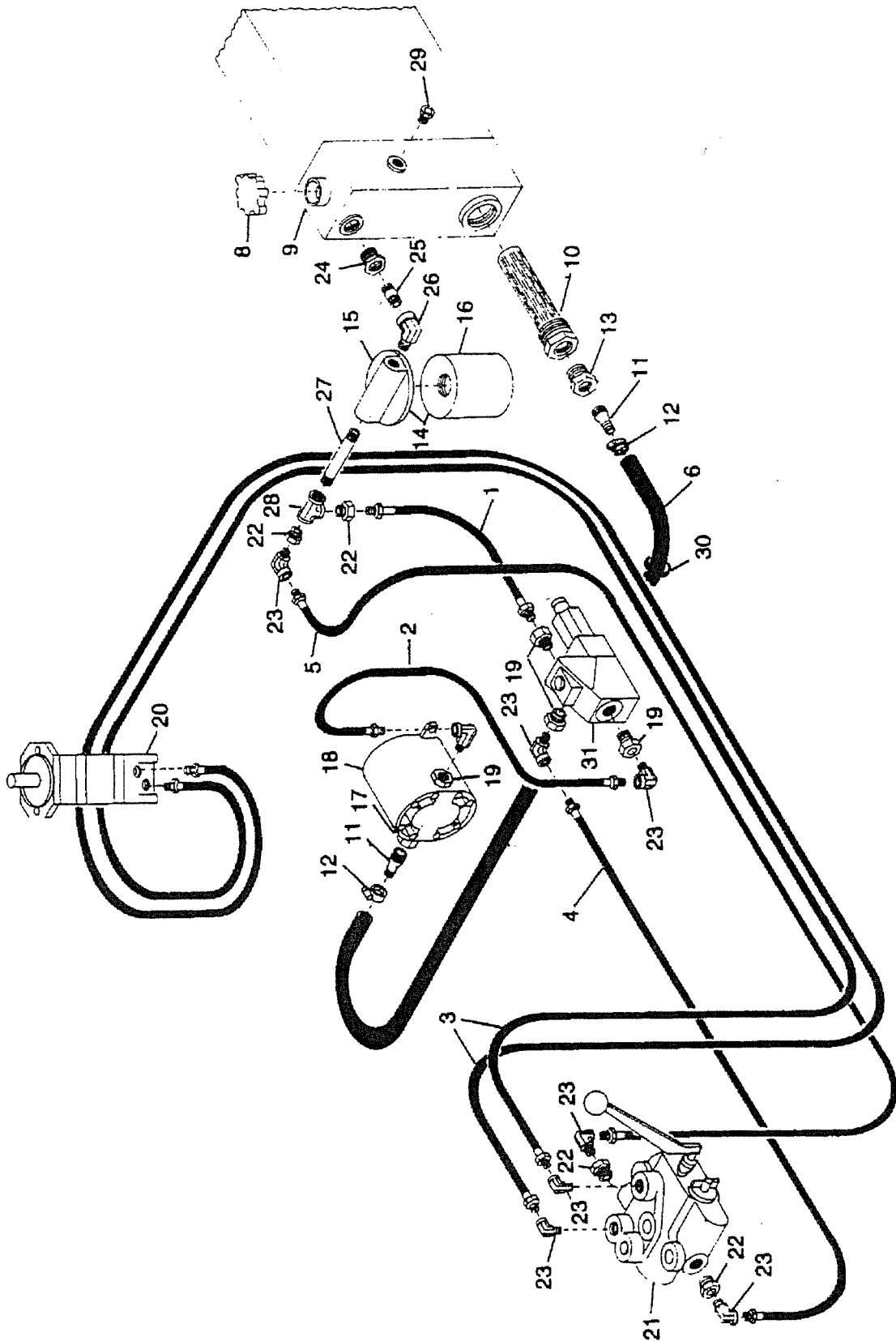
# CONVEYOR

<u>ITEM</u>	<u>PART NO.</u>	<u>QTY</u>	<u>DESCRIPTION</u>	<u>ITEM</u>	<u>PART</u>	<u>QTY</u>	<u>DESCRIPTION</u>
1	4700448	1	Drive Roller	50	4900014	8	1/2" Lock Nut
2	4700075	1	Deflector RH	51	4800003	8	3/8" x 1" Bolt
3	4700076	1	Deflector LH	52	5000001	12	3/8" Flat Washer
4	4700082	1	Bottom Conveyor Frame	53	5000019	8	3/8" Lock Washer
5	4700081	1	Belt Guide	54	4900002	8	3/8" Nut
6	4700085	2	Conveyor Transport Hanger				
7	4700090	1	Belt Retainer				
8	4700080	1	Top Conveyor Frame				
9	4500372	1	Latch Handle				
10	4700086	2	Spring Arm Mount				
11	4700087	2	Spring Arm				
12	4700089	2	Transport Lock				
13	4700083	1	Bearing Bracket RH				
14	4700078	1	Bearing Bracket LH				
15	4700348	2	Tension Adjusting Rod				
16	4700349	2	Tension Adjusting Pivot				
17	4700350	2	Tension Adjusting Bushing				
18	4700351	2	Tension Adjusting Handle				
19	4700079	1	Idler Roller				
20	4700350	2	3/4" OD x 1/2" ID, 3/8" Long Bushing				
21	4700092	2	3/4" OD x 1/2" ID, 3/4" long Bushing				
22	4700467	1	Adjusting Bracket				
23	2000303	2	Bearing\Flange\1-1/2\4-Bolt				
24	2000501	2	Bearing\P.B.\1-1/2				
25	1000132	1	Sprocket 60B-24H x 1-1/2" Bore				
26	6200008	1	Key 3/8" Square x 2"				
27	1700006	1	Belt, 18" x 43'6" Long				
28	1400082	2	Cable Sheave				
29	4800123	2	1/8" x 1-1/2" Cotter Key				
30	4800026	2	Cable Sheave Pin				
31	2000809	1	1" Shaft Collar				
32	4800076	2	Kilk Pin				
33	7500113	4	Screw Plug				
34	6100047	2	Spring 1-1/2" ID x 33-1/2" Long				
35	4700353	2	Spring Adjusting Bolt 5/8" x 12"				
36	2000502	2	Bearing 1-1/4" Pillow Block				
37	4800010	4	5/8" x 2" Bolt				
38	5000002	4	5/8" Flat Washer				
39	4900005	10	5/8" Nut				
40	5000003	2	5/8" Lock Washer				
41	4900015	1	1" Lock Nut				
42	4800114	6	1/2" x 2" Bolt				
43	4800178	4	1/2" x 1-3/4" Bolt				
44	4800082	4	1/2" x 1-1/2" Bolt				
45	4800018	10	1/2" x 1-1/4" Bolt				
46	4800141	4	1/2" x 4-1/2" Bolt				
47	5000004	22	1/2" Flat Washer				
48	5000006	20	1/2" Lock Washer				
49	4900001	20	1/2" Hex Nut				

# HYDRAULICS



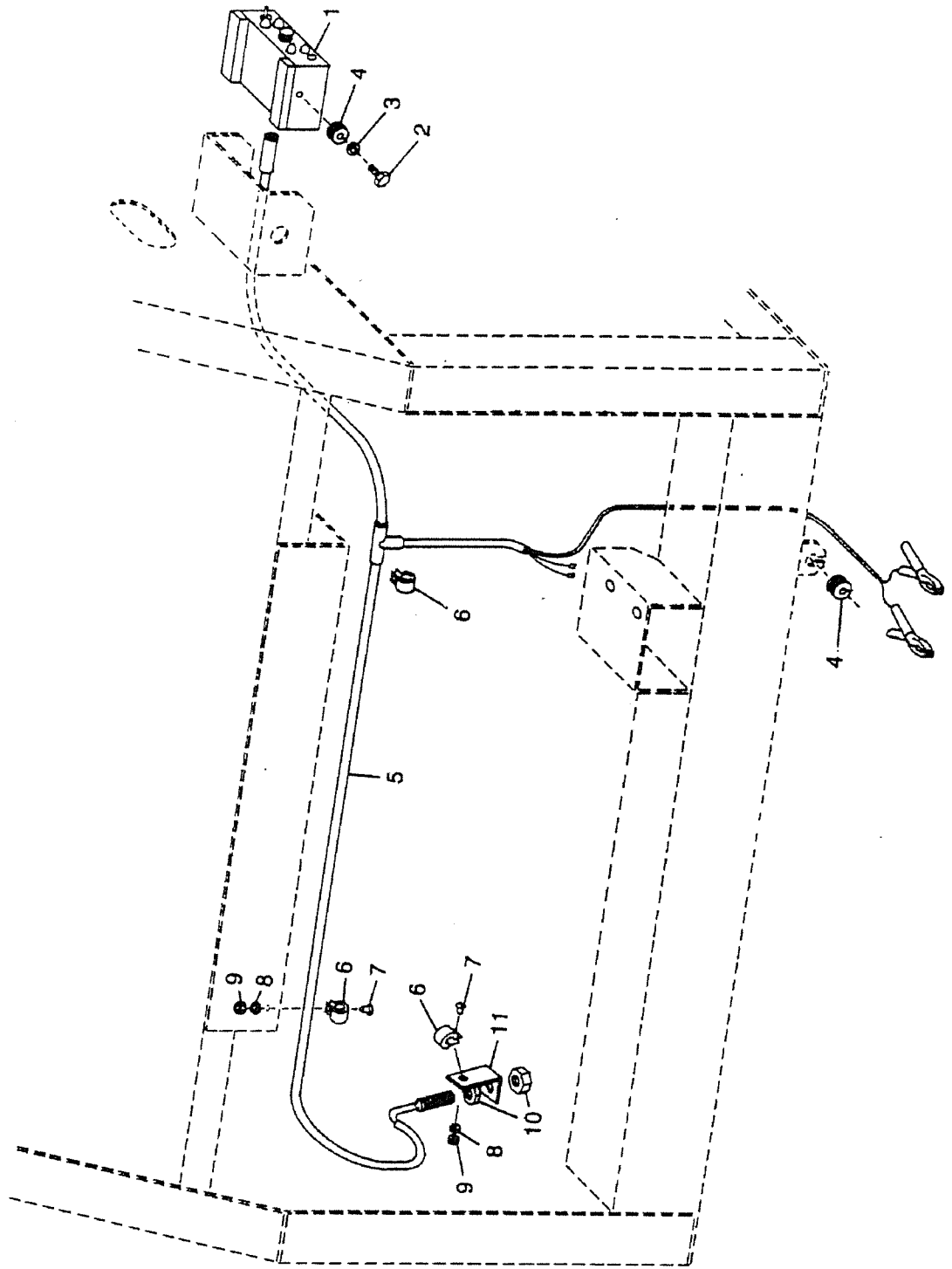
# HYDRAULICS



# HYDRAULICS

<u>ITEM</u>	<u>PART NO.</u>	<u>QTY</u>	<u>DESCRIPTION</u>
1	3700035	1	1/2" X 15" Hose
2	3700017	3	1/2" x 24" Hose
3	3700176	2	1/2" x 53" Hose
4	3700046	1	1" x 55" Hose
5	4700016	2	Oil Tank Strap
6	3800027	1	Oil Tank Cap
7	4700017	1	Oil Tank
8	4400007	1	Strainer S25
9	3800056	2	King Nipples 1"
10	3800024	2	Hose Clamp
11	3800022	1	1-1/4" x 1" Bushing
12	4400006	1	Filter Complete F4E
13	4400004	1	Filter Base F4E
14	4400005	1	Filter Element F4E
15	3800046	1	1-3/16" Straight to 1" Pipe Bushing w/O-Ring Boss
16	4200026	1	Hydraulic Pump LH
17	3800119	4	1" Straight to 1/2" Pipe Bushing w/O-Ring Boss
18	3900010	1	Orbit Motor 24 C.I.
19	6200004	1	Square Key 5/16" x 1-1/2"
20	4000035	1	Control Valve
21	3800010	4	3/4" to 1/2" Bushing
22	3800008	5	1/2" 90° St. Elbow
23	3800028	1	1/2" 45° St. Elbow
24	3800131	1	1" to 3/4" Bushing
25	3800136	1	3/4" x 3-3/4" Nipple
26	3800015	1	3/4" x 2" Nipple
27	3800122	1	3/4" Coupling
28	3800129	1	3/4" 90° St. Elbow
29	3800034	1	3/4" x 7-1/2" Nipple
30	3800017	1	3/4" Tee
31	3800137	1	3/4" Site Glass
32	4800114	2	1/2" x 2" Bolt
33	5000004	2	1/2" Flat Washer
34	5000006	2	1/2" Lock Washer
35	4900001	2	1/2" Hex Nut
36	4800098	2	3/8" x 1-1/4" Bolt
37	4800146	3	3/8" x 2" Bolt
38	5000001	9	3/8" Flat Washer
39	5000019	9	3/8" Lock Washer
40	4900002	9	3/8" Hex Nut
41	4800193	2	1/4" x 2-3/4" Bolt
42	5000024	2	1/4" Lock Washer
43	4900009	2	1/4" Hex Nut
44	7500199	1	Grommet

# ELECTRONIC GOVERNOR



# HYDRAULICS

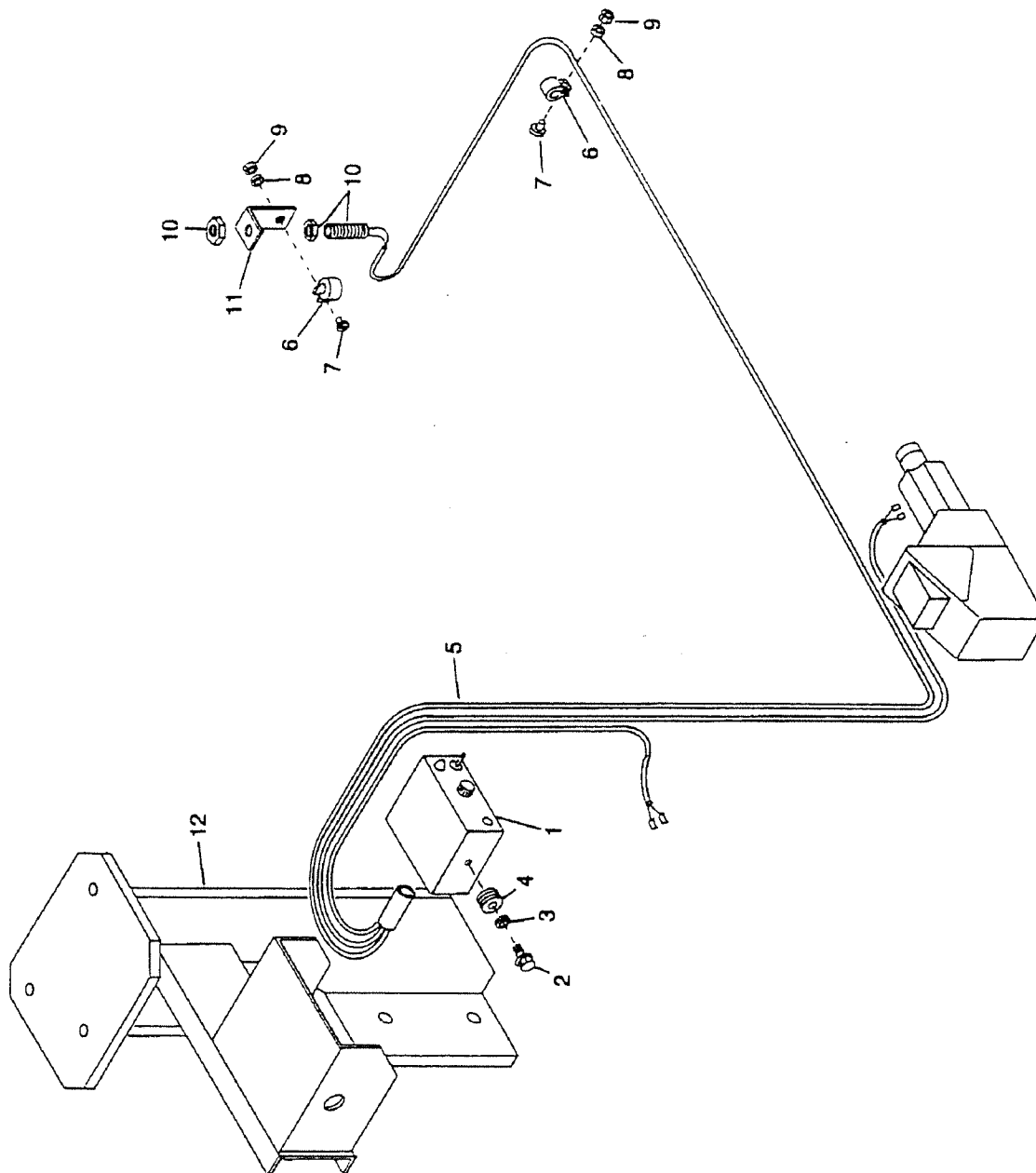
<u>ITEM</u>	<u>PART NO.</u>	<u>QTY</u>	<u>DESCRIPTION</u>
1	3700035	1	1/2" X 15" Hose
2	3700017	1	1/2" x 24" Hose
3	3700183	2	1/2" x 116" Hose J.D.
	3700184	2	1/2" x 118" Hose Cat
4	3700163	1	1/2" x 55" Hose J.D.
	3700180	1	1/2" x 76" Hose Cat
5	3700034	1	1/2" x 60" Hose J.D.
	3700181	1	1/2" x 86" Hose Cat
6	3700182	1	1" x 47" Hose
7	4700016	2	Oil Tank Strap
8	7500275	1	Oil Tank Cap
9	4700354	1	Oil Tank
10	4400007	1	Stainer S25
11	3800056	2	King Nipple 1"
12	3800143	2	1" Hose Clamp T-Bolt
13	3800022	1	1-1/4" to 1" Bushing
14	4400006	1	Filter Complete F4E
15	4400004	1	Filter Base F4E
16	4400005	1	Filter Element F4E
17	3800046	1	1-3/16" Sraight to 1" Pipe Bushing w/O-Ring
18	4200026	1	Hyraulic Pump LH
19	3800119	4	1-1/16" Straight to 1/2" Pipe Bushing w/O-Ring Boss
20	3900010	1	Orbit Motor 24 C.I.
21	4000016	1	Control Valve
22	3800010	4	3/4" to 1/2" Bushing
23	3800008	8	1/2" 90° St. Elbow
24	3800131	1	1" to 3/4" Bushing
25	3800015	1	3/4" x 2" Nipple
26	3800129	1	3/4" 90° St. Elbow
27	3800039	1	3/4" x 4-1/2" Nipple
28	3800017	1	3/4" Tee
29	3800137	1	3/4" Site Glass
30	7500119	1	Grommet
31	4300065	1	Control Block
	7501018		Control Block (Seal Kit)
	4300010		Control Block (Solenoid)



# ELECTRONIC GOVERNOR

<u>ITEM</u>	<u>PART NO.</u>	<u>QTY</u>	<u>DESCRIPTION</u>
1	4300034	1	Control Box
2	4800194	2	1/4" x 3/4" Flange Bolt
3	5000035	2	1/4" Flat Washer
4	7500124	3	Grommet
5	4300019	1	Wiring Harness
6	5700058	3	Wire Clamps # 8 Cushion
7	4800154	3	1/4" x 1/2" Screw
8	5000024	3	1/4" Lock Washer
9	4900009	3	1/4" Hex Nut
10	4300009	1	Sensor with Hardware
11	4700118	1	Sensor Bracket
	4300038	1	Remanufactured Control Box

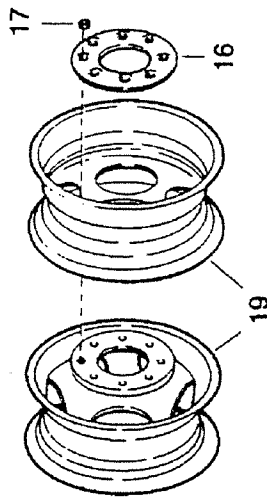
# CONTROL BOX



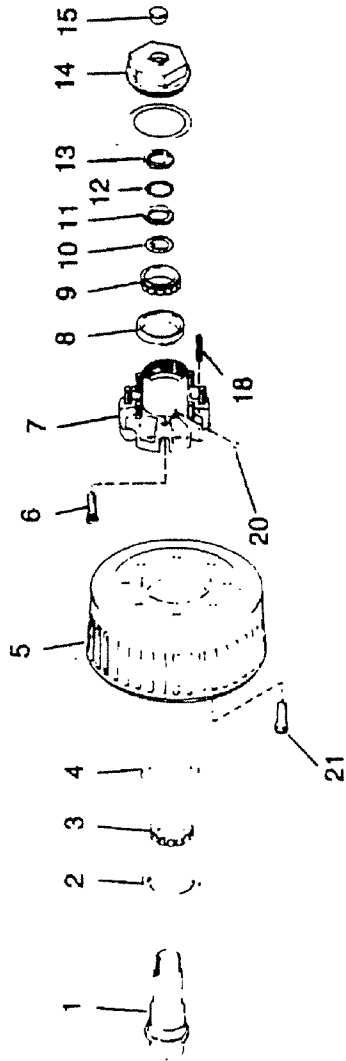
# CONTROL BOX

<u>ITEM</u>	<u>PART NO.</u>	<u>QTY</u>	<u>DESCRIPTION</u>
1	4300034	1	Control Box
2	4800194	2	1/4" x 3/4" Flange Bolt
3	5000035	2	1/4" Flat Washer
4	7500124	2	Grommet
5	4300019	1	Wiring Harness
6	5700058	3	Wire Clamps # 8 Cushion
7	4800154	3	1/4" x 1/2" Screw
8	5000024	3	1/4" Lock Screw
9	4900009	3	1/4" Hex Nut
10	4300009	1	Sensor with Hardware
11	<del>4700118</del> 4701753	1	Sensor Bracket
12	4700355	1	Control Box and Valve Mount
13	4300065	1	Control Valve
14	4300010	1	Hydraulic Solenoid

# AXLE - HUB - WHEELS



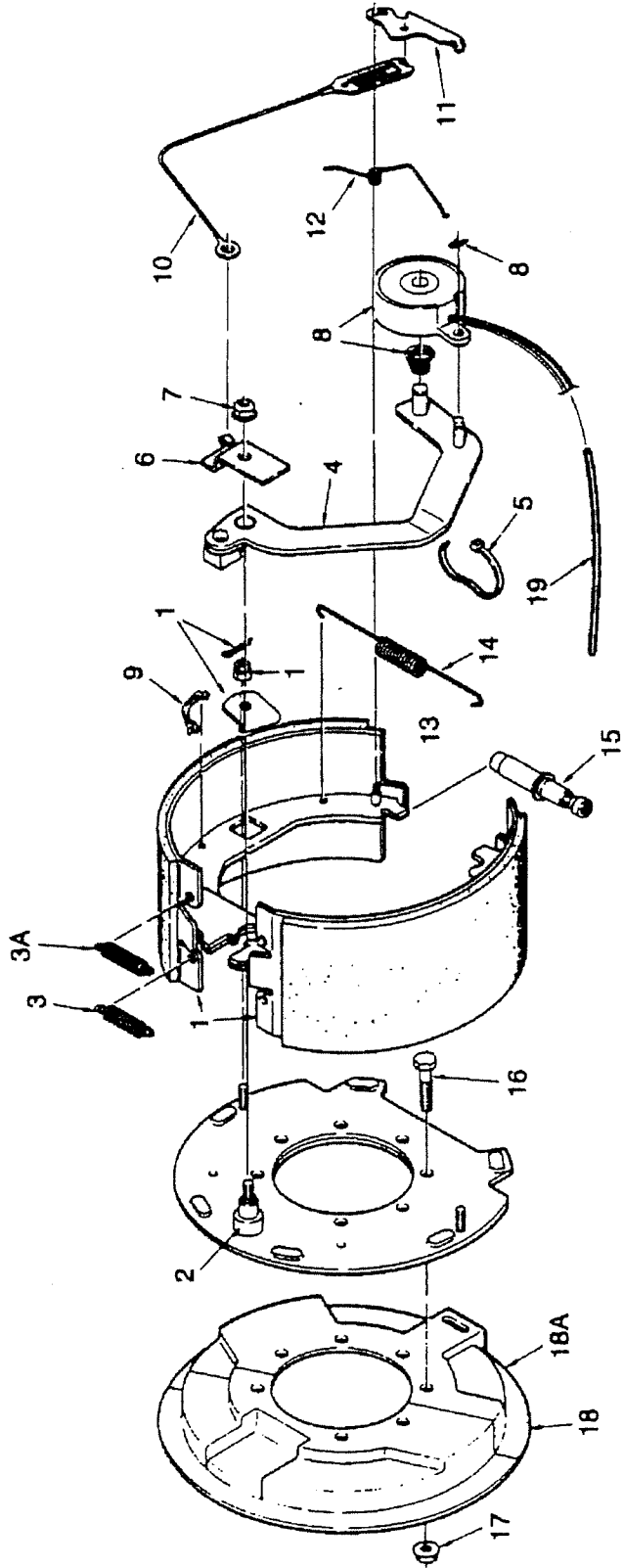
## HUB GROUPS



## AXLE - HUB - WHEELS

<u>ITEM</u>	<u>PART NO.</u>	<u>QTY</u>	<u>DESCRIPTION</u>
1	2500453	1	Axle Beam\10k
2	2900092	2	Unitized Oil Seal
3	2500003	2	Inner Bearing Cone
4	2500004	2	Bearing Cup
5	2500019	2	Brake Drum
6	4800254	16	Wheel Mounting Stud RH
7	2900095	2	Hub w/Cups and Studs RH
8	2500005	2	Outer Bearing Cup
9	2500006	2	Outer Bearing Cone
10	2500017	2	Spindle Washer
11	2500012	2	Spindle Nut
12	2500018	2	Tang Washer
13	2500020	2	Oil Cap O-Ring
14	2500021	2	Oil Cap
15	2500022	2	Oil Cap Plug
16	2600627	2	Wheel Clamp Ring
17	4900062	16	Wheel Nut RH
18	2500403	2	Locating Pin
19	2600626	4	16.5 x 6.75 Dual
20	2500023	2	Oil Fill Plug
21	4800255	16	Drum Mounting Screw
22	2600024	1	Tire 9.50 x 16.5 B.E. Bias 10 Ply (Not Shown)

ELECTRIC BRAKE PARTS



# ELECTRIC - BRAKE

<u>ITEM</u>	<u>PART NO.</u>	<u>QTY</u>	<u>DESCRIPTION</u>
1	2500301	1	LH Shoe and Lining Kit
1A	2500302	1	RH Shoe and Lining Kit
2	2500303	1	Backing Plate Assembly
3	2500304	1	Shoe Return Spring (Rear) (Black)
3A	2500305	1	Shoe Return Spring (Front) (Green)
4	2500327	1	LH Actuator Arm Assembly
4A	2500328	1	RH Actuator Arm Assembly
5	2500308	1	Cable Ties
6	2500309	1	LH Arm\Shoe Retainer
6A	2500310	1	RH Arm\Shoe Retainer
7	4900060	1	Flange Nut
8	2500404	1	Magnet Kit
9	2500311	1	Cable Guide
10	2500312	1	Adjuster Cable
11	2500313	1	LH Adjuster Lever
11A	2500314	1	RH Adjuster Lever
12	2500315	1	LH Adjuster Lever Spring
12A	2500316	1	RH Adjuster Lever Spring
13	2500317	1	Pivot Pin
14	2500318	1	Adjuster Spring
15	2500319	1	LH Adjuster Assembly
15A	2500320	1	RH Adjuster Assembly
16	4800253	7	Bolt\Hex\7/16X1-3/4
17	4900035	7	Nut\Toplock\7/16
18	2500321	1	Dust Cover (Top)
18A	2500322	1	Dust Cover (Bottom)
19	2500323	1	Sleeve
20	2500324	1	Wire Grommet (Not Shown)

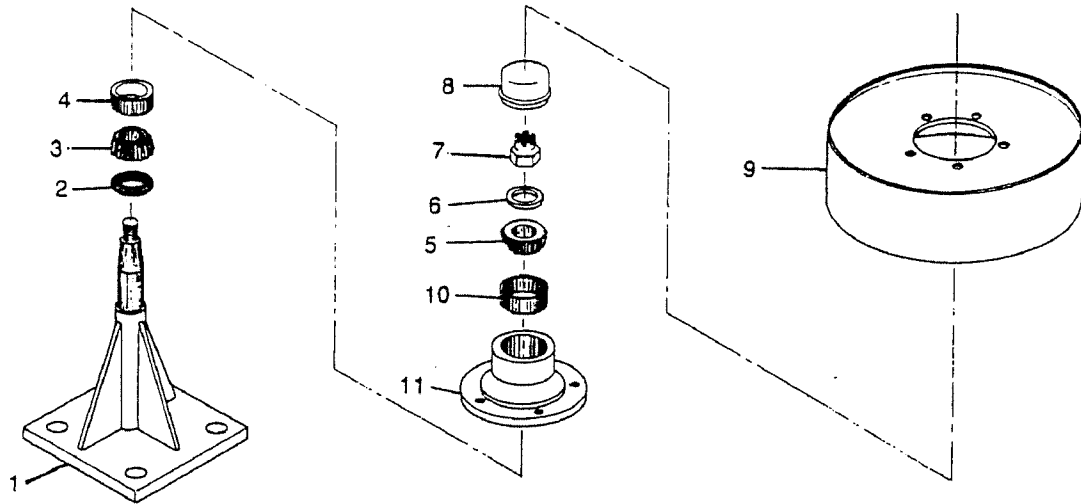




## LIGHTS - WIRING SCHEMATIC

<u>ITEM</u>	<u>PARTS NO.</u>	<u>QTY</u>	<u>DESCRIPTON</u>
1	5700032	1	Truck Plug
2	5700033	1	Trailer Plug
3	5700034	1	Junction Box
4	5700036	1	Tail Light
5	5700037	4	Red Clearance Light
6	5700038	2	Amber Clearance Light
7	5700008		5 x 14 Ga. Cable - Per Ft.
8	5700039	1	Tail Light w/License Plate Light

# PRESSURE ROLLER



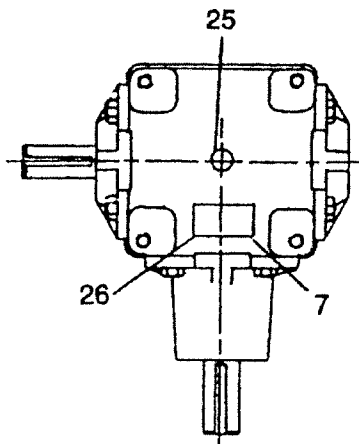
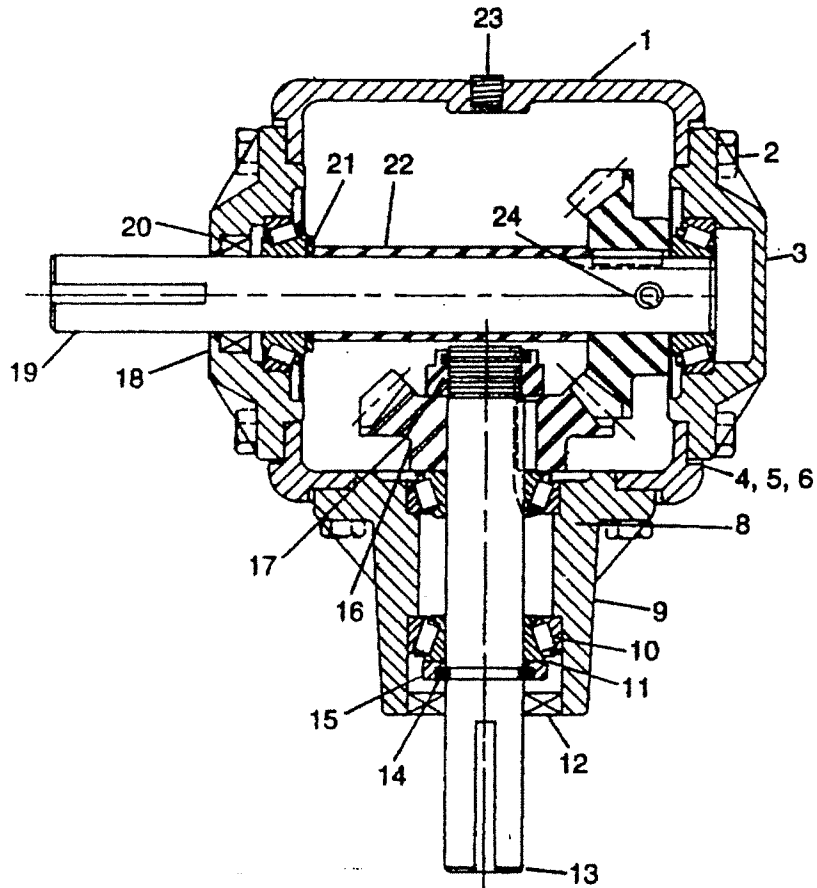
# PRESSURE ROLLER

<u>ITEM</u>	<u>PART NO.</u>	<u>QTY</u>	<u>DESCRIPTION</u>
1	4700117	1	Single Stand 10" Spindle
2	2900055	1	Seal
3	2900018	1	Inner Cone
4	2900004	1	Inner Cup
5	2900061	1	Outer Cone
6	5000057	1	Washer
7	4900056	1	Nut
8	2900064	1	Dust Cap
9	4700115	1	Pressure Drum
10	2900056	1	Outer Cup
11	2900057	1	Hub
12	3000025	1	Pressure Roller Spindle 10"
13	4700116	1	Pressure Roller Complete
1A	4700235	1	Pressure Roller Stand 11" Spindle
12A	3000028	1	Pressure Roller Spindle 11"
13A	4700886	1	Pressure Roller Complete 11" Spindle

Note – Pressure Drum (4700115) is mounted "Cup Up" ☐☐ on 10" spindle, and mounted "Cup Up" ☐☐ on 11" spindle.

# GEAR BOX CURTIS

Serial No. Thru 3352

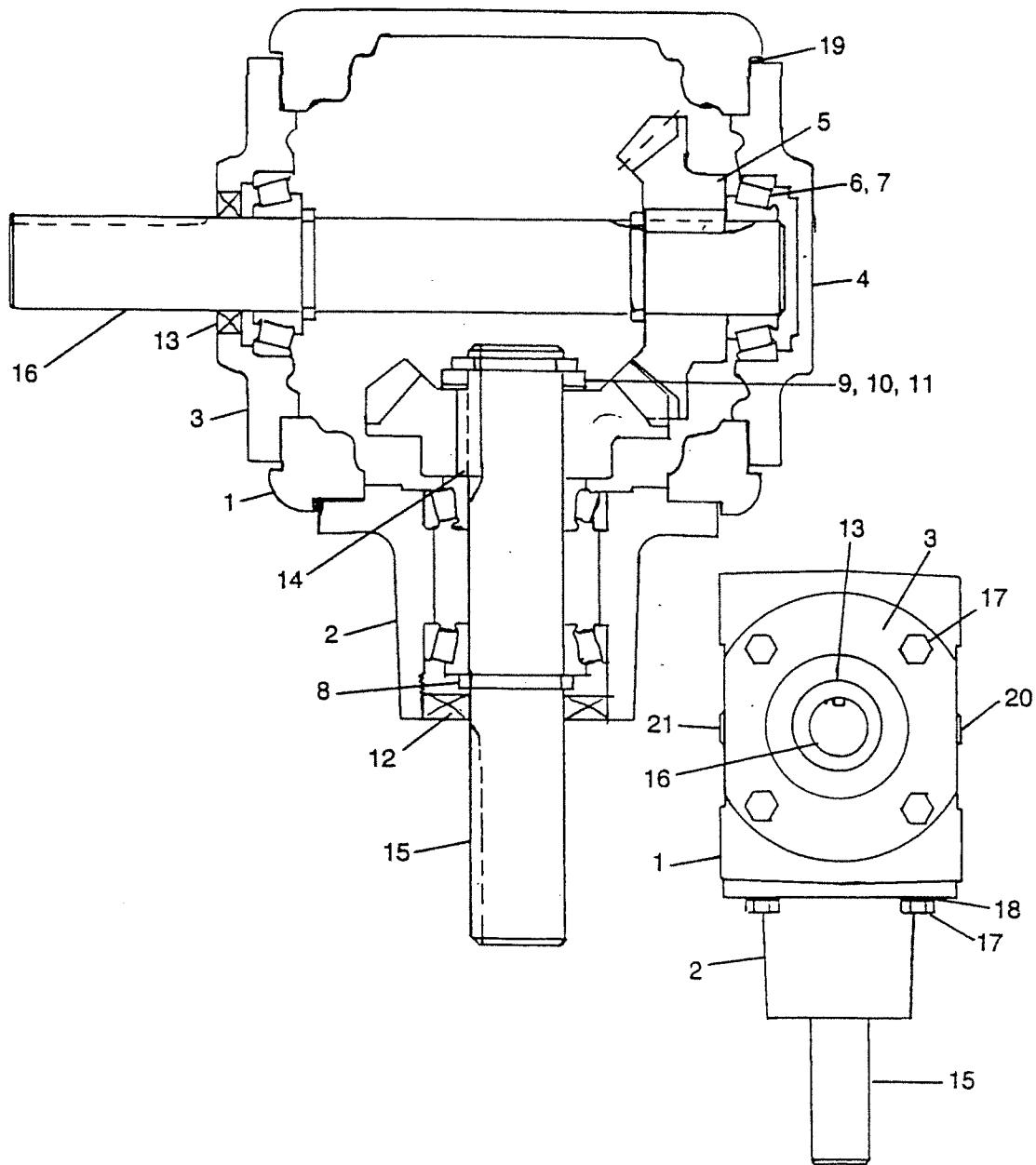


# GEAR BOX CURTIS

Serial No. Thru 3352

<u>ITEM</u>	<u>PART NO.</u>	<u>QTY</u>	<u>DESCRIPTION</u>
1	3100300	1	Housing
2	3100301	12	5/16" x 7/8" Bolt
3	3100302	1	Blank Cap
4	3100162	Var.	Gasket (.015)
5	3100161	Var.	Gasket (.005)
6	3100160	Var.	Gasket (.003)
7	3100306	1	I.D. Tag Cover
8	3100307	2	Key
9	3100308	1	Cap
10	3100023	4	Bearing Cup
11	3100024	4	Bearing Cone
12	3100309	1	Seal
13	3100180	1	Shaft
14	3100310	1	Retaining Ring
15	3100311	1	Thrust Collar
16	3100312	2	Gear
17	3100183	1	Lock Nut
18	3100114	1	Seal
19	3100314	1	Shaft
20	3100315	1	Cap
21	3100316	1	Washer
22	3100317	1	Spacer
23	3100318	2	Pipe Plug (Solid)
24	3100041	1	Roll Pin
25	3100319	1	Pipe Plug (Vented)
26	3100320	1	I.D. Tag
27	3100321	1	Shaft (To Reverse Gear Box) Not Shown
28	3100166	1	Gear Box Complete <b>Curtis</b>

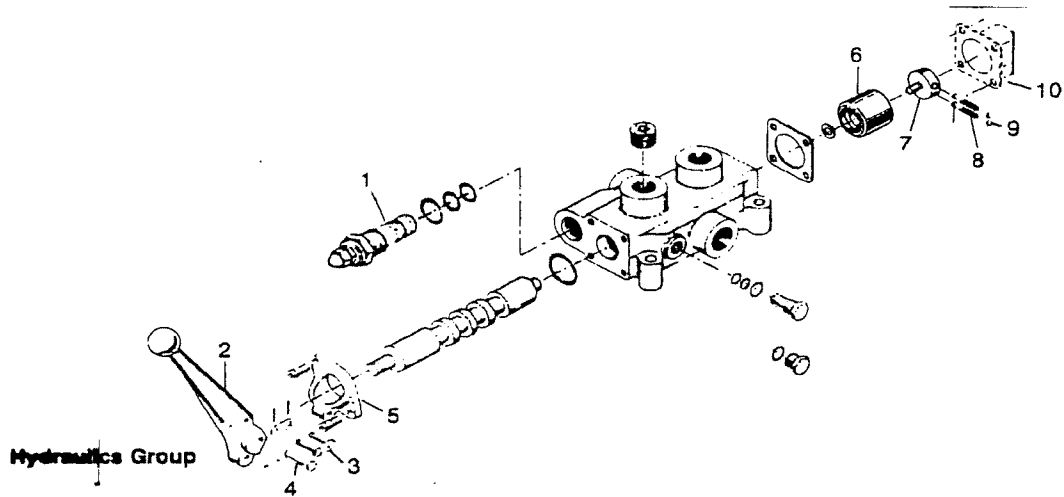
# GEAR BOX PRAIRIE



## GEAR BOX PRAIRIE

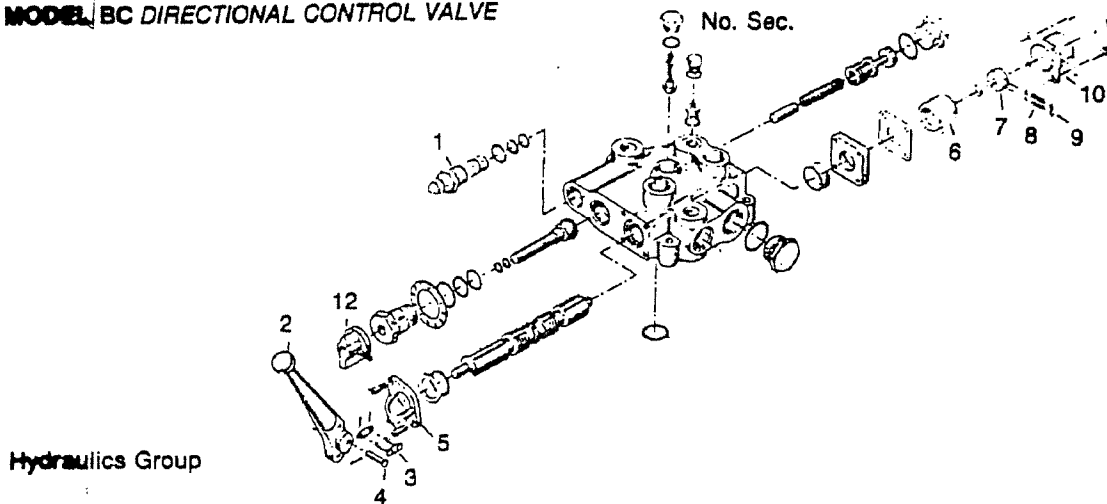
<u>ITEM</u>	<u>PART NO.</u>	<u>QTY.</u>	<u>DESCRIPTION</u>
1	3100322	1	Open Center Case
2	3100323	1	Quill 1.98 Cia. Seal
3	3100324	1	Open Cover
4	3100325	1	Closed Cover
5	3100326	2	19T Gear
6	3100024	4	Cone
7	3100023	4	Cup
8	3100327	3	Snap Ring
9	3100335	Var.	Shim .007 1809 OG
10	3100328	1	1" I.D. x 1-1/2" O.D. x .130 Washer
11	3100329	1	Snap Ring
12	3100309	1	1"x1.98"Seal
13	3100313	1	1"x1-1/2"Seal
14	3100330	2	1/4" x 1/4" x .93 Key
15	3100331	1	Pinion Shaft
16	3100332	1	Cross Shaft
17	3100301	12	5/16" x 7/8" Bolt
18	3100333	12	5/16" Lock Washer
	3100336	Var.	Shim .020
19	3100337	Var.	Shim .007
	3100338	Var.	Shim .005
20	3100318	1	1/4" NPT Plug
21	3100319	1	1/4" NPT Vent
22	3100334	1	Shaft (To Reverse Gear Box)
23	3100187	1	Gear Box Complete - <b>Prairie Gear</b>

# HYDRAULICS



<u>ITEM</u>	<u>PART</u>	<u>QTY</u>	<u>DESCRIPTION</u>	<u>ITEM</u>	<u>PART</u>	<u>QTY</u>	<u>DESCRIPTION</u>
1	4000006	1	Adj. Relief Valve	7	4000026	1	Detent Retainer (Screw)
2	4000001	1	Valve Handle	8	4000027	2	Detent Spring
3	4000002	1	Connector Link Handle	9	4000028	4	Ball (1/4" Steel)
4	4000002	1	Pin Handle w/Key	10	4000029	1	End Cap
5	4000004	1	Handle Bracket	11	7501013	1	Seal Kit (Not Shown)
6	4000025	1	Detent Sleeve	12	4000035		Valve Complete

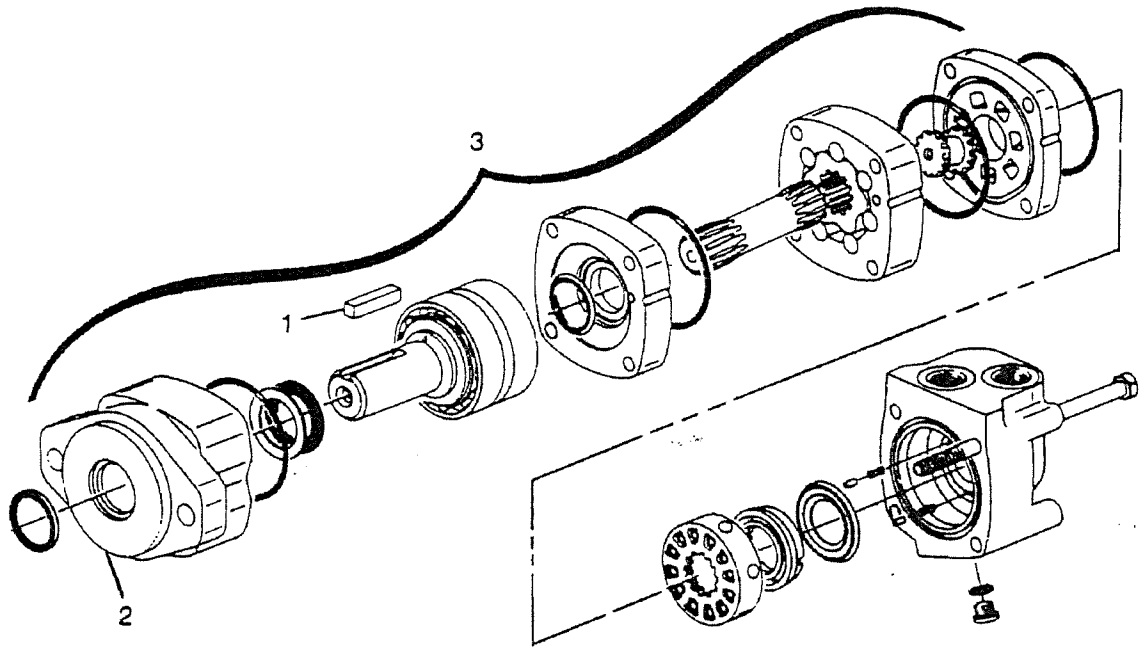
## MODEL BC DIRECTIONAL CONTROL VALVE



<u>ITEM</u>	<u>PART</u>	<u>QTY</u>	<u>DESCRIPTION</u>	<u>ITEM</u>	<u>PART</u>	<u>QTY</u>	<u>DESCRIPTION</u>
1	4000006	1	Adj. Relief Valve	7	4000026	1	Detent Retainer (Screw)
2	4000001	1	Valve Handle	8	4000027	2	Detent Spring
3	4000002	1	Connector Link Handle	9	4000028	4	Ball (1/4" Steel)
4	4000002	1	Pin Handle w/Key	10	4000029	1	End Cap
5	4000004	1	Handle Bracket	11	7501009	1	Seal Kit (Not Shown)
6	4000025	1	Detent Sleeve	12	4000030	1	Knob

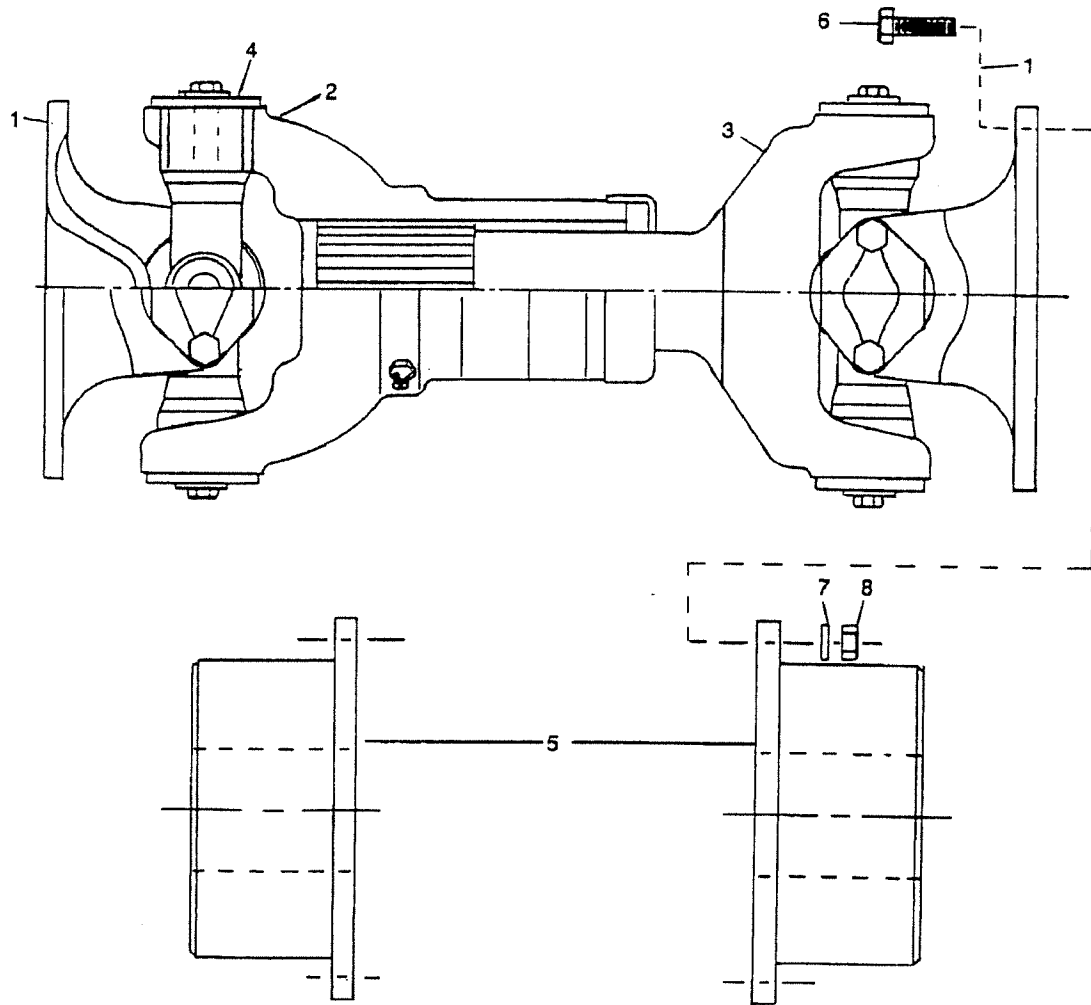


# TUB DRIVE MOTOR



<u>ITEM</u>	<u>PART NO.</u>	<u>QTY</u>	<u>DESCRIPTION</u>
1	6200004	1	5/16" x 1-12" Key
2	7501005	1	Seal Kit Not Shown
3	3900005	1	Complete H2000 Orbit Motor
4	3900011	1	Mounting Flange (2000 Series)

# POWER SHAFT



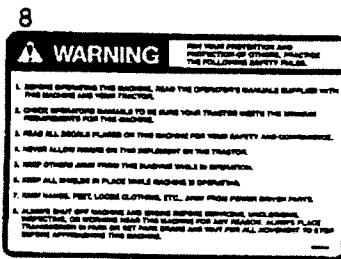
# POWER SHAFT

<u>ITEM</u>	<u>PART NO.</u>	<u>QTY</u>	<u>DESCRIPTION</u>
1	3600152	2	Flange Yoke
2	3600153	1	Slip Yoke
3	3600154	1	Yoke Shaft
4	3600155	2	Journal and Bearing Kit
5	3600156		Flange 3" I.D.
	3600157		Flange 2-1/2" I.D.
6	4800252	16	7/16" x 1-3/8" Bolt Fine Thread - Grade 8
7	5000015	16	7/16" Lock Washer
8	4900059	16	7/16" Nut Fine Thread
9	3600158		Power Shaft (Complete)

# DECALS

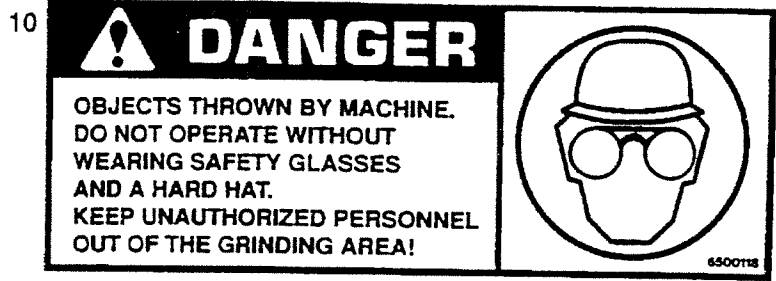
3  
**INDUSTRIAL  
GRINDER**

6  
**KEEP WHEEL  
BOLTS TIGHT**



17  
**HYDRAULIC  
OIL**

13  
**CAUTION**  
INSERT TRANSPORT LOCKS  
BEFORE MOVING ON ROADS

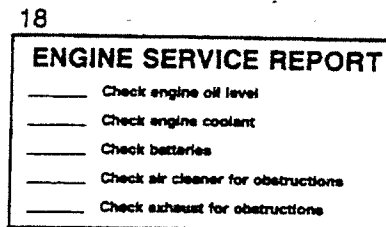


12  
← **OIL LEVEL**



1

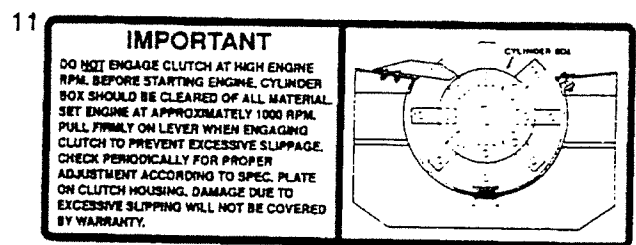
**WARNING**  
KEEP OFF  
MACHINE WHILE  
IN OPERATION



7

**WARNING**  
FOR YOUR PROTECTION KEEP ALL SHIELDS IN  
PLACE AND SECURED WHILE MACHINE IS  
OPERATING. MOVING PARTS WITHIN CAN  
CAUSE SEVERE PERSONAL INJURY.

16  
**DIESEL  
FUEL**



5

**DANGER**

ROTATING PARTS WITHIN  
CAN KILL OR DISMEMBER  
WAIT FOR ALL MOVEMENT TO STOP  
BEFORE SERVICING, UNCLOGGING  
OR INSPECTING MACHINE

6500082

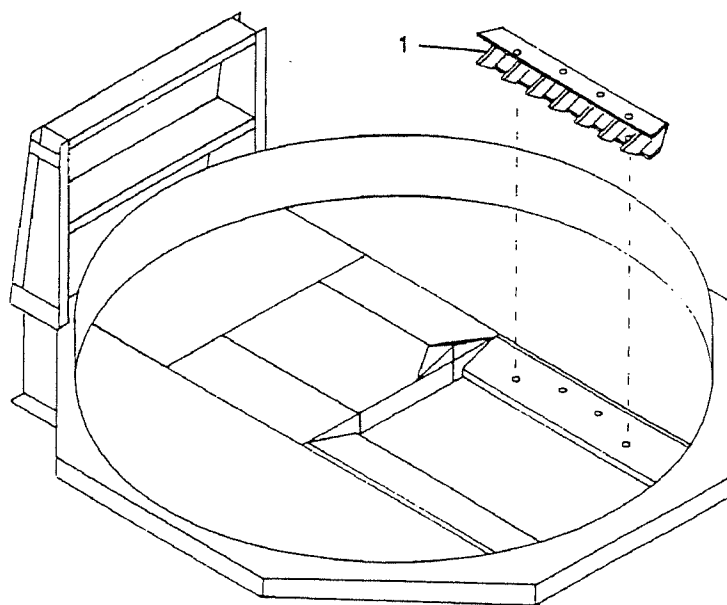
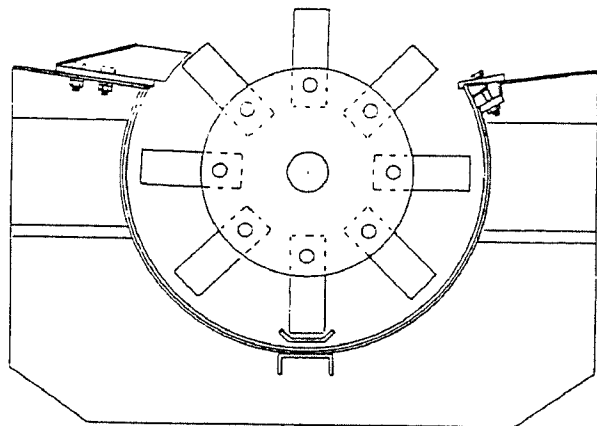
**DECALS**

<u>ITEM</u>	<u>PART NO.</u>	<u>QTY</u>	<u>DESCRIPTION</u>
1	6500115	2	Keep Off
2	6500116	2	Recycle
3	6500117	2	Industrial Grinder
4	6500044	2	Big Bite
5	6500082	4	Rotating Parts
6	6500042	2	Wheel Bolts
7	6500040	3	Keep Shields in Place
8	6500041	2	For Your Protection
9	7500311	2	3M Safety-Walk 4 x 30
10	6500118	2	Danger - Objects Thrown by Machine
11	6500121	1	Clutch
12	6500052	1	Oil Level
13	6500112	2	Transport Locks
14	6500043	2	No Riders
15	6500056	1	Rotation
16	6500123	1	Diesel Fuel
17	6500124	1	Hydraulic Oil
18	6500132	1	Engine Service Report
6500183			DECAL KIT

# SLUGBUSTER

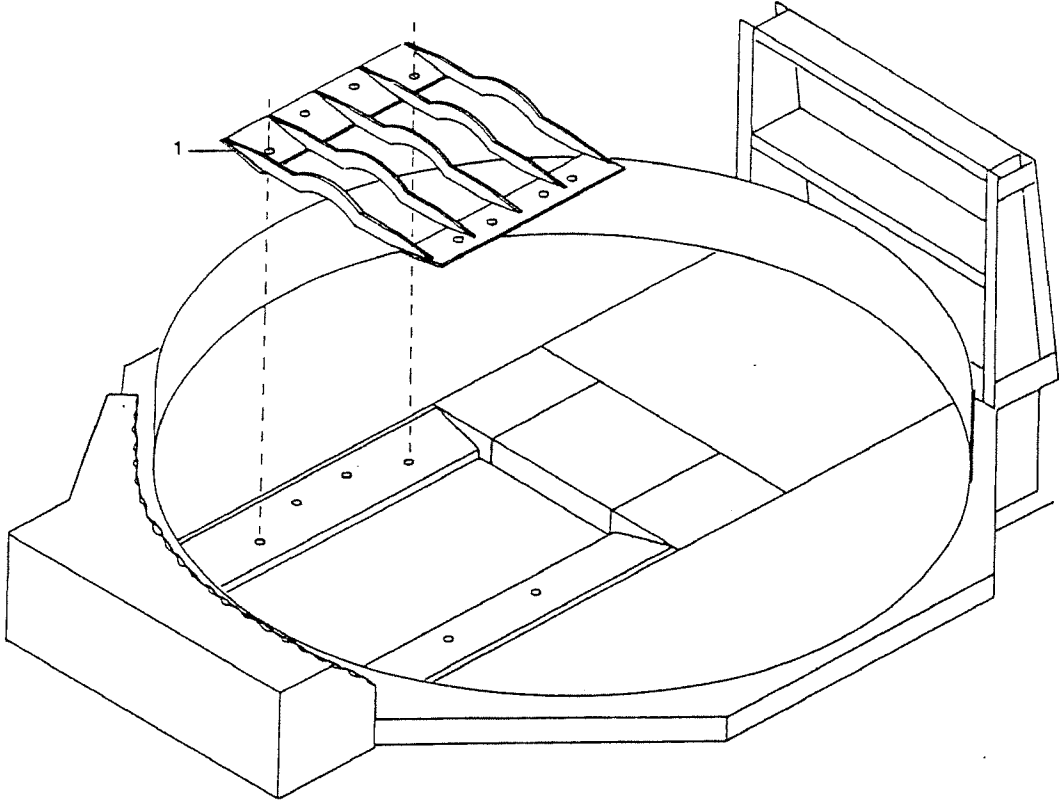
## SLUGBUSTER OPERATION

The Slugbuster is a one-piece metal bar with steel fingers that protrude over the infeed side of the cylinder. Hammers pass by the "fingers" to create a slicing action that prevents slugs of materials from being drawn into the mill. The slicing action also acts as an initial grinding of long material before it passes through the screen.



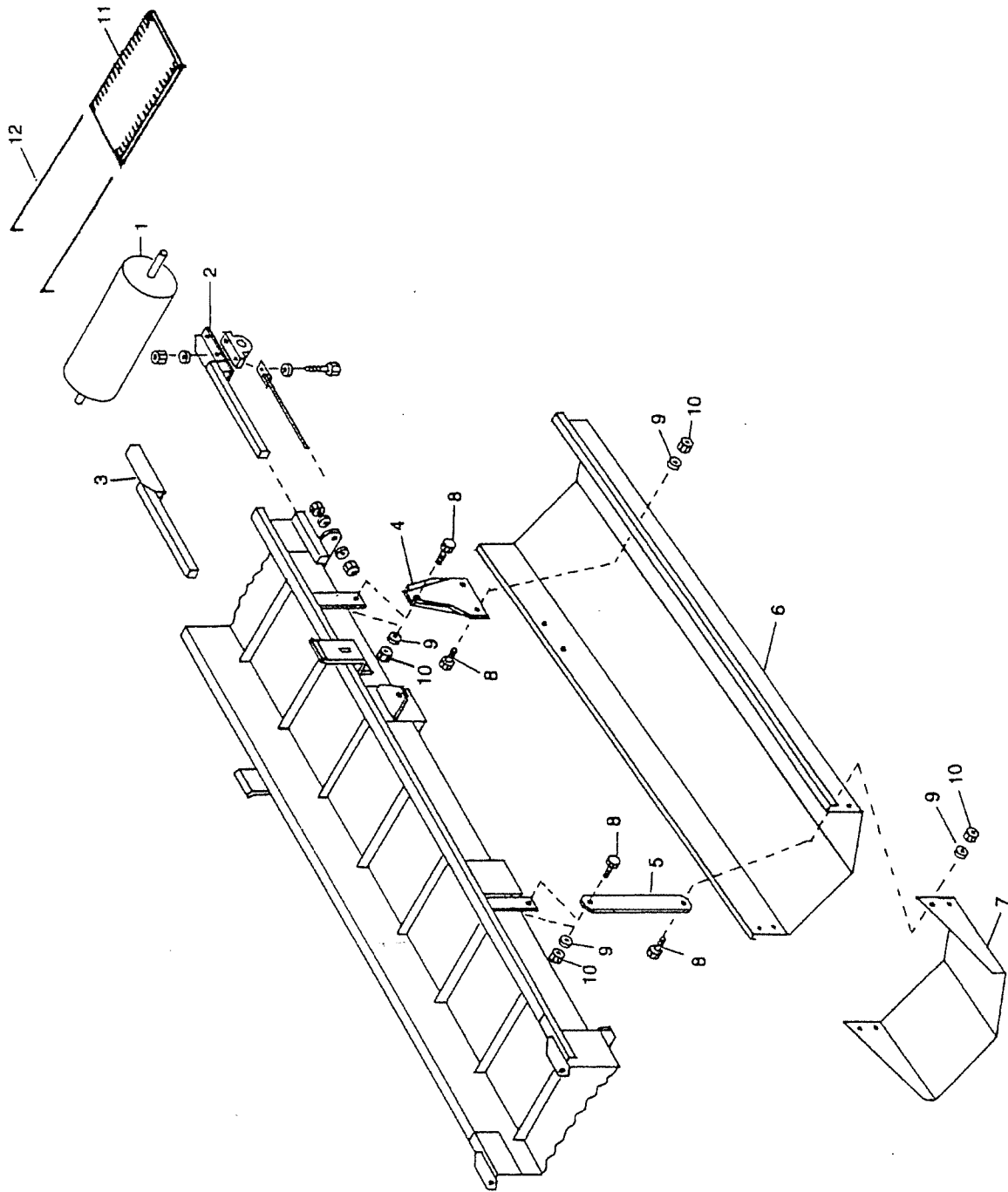
<u>ITEM</u>	<u>PART NO.</u>	<u>QTY</u>	<u>DES CRPTION</u>
1	4700356	1	IG-10 7-Tooth Slugbuster

# OPTION - PAPER GRATE



<u>ITEM</u>	<u>PART NO.</u>	<u>QTY</u>	<u>DESCRIPTION</u>
1	4700121	1	Paper Grate IG-1000 Serial No. 0001 thru 0004
	4700133	1	Paper Grate IG-1000 Serial No. 0005 thru 0097
	4700357	1	Paper Grate IG-10 Serial No. 0098 thru
2	4800010	6	5/8" x 2" Bolt
3	5000003	6	5/8" Lock Washer
4	5000002	6	5/8" Flat Washer

# OPTION - MAGNETIC ROLLER

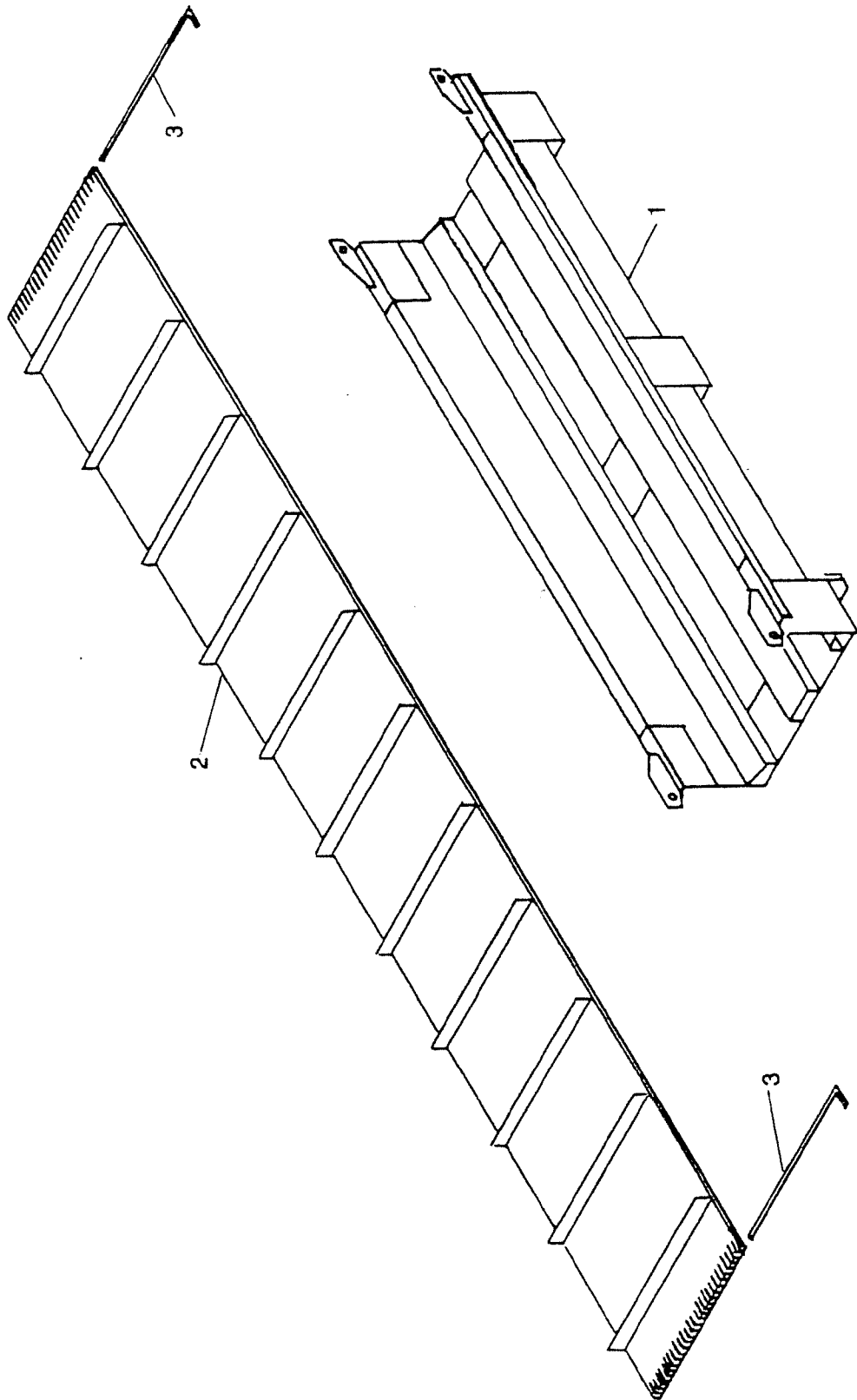




## OPTION - MAGNETIC ROLLER

<u>ITEM</u>	<u>PART NO.</u>	<u>QTY</u>	<u>DESCRIPTION</u>
1	7500229	1	Magnetic Roller 8x18
2	4700135	1	Magnetic Roller Bearing Mount RH
3	4700136	1	Magnetic Roller Bearing Mount LH
4	4700137	2	Rear Chute Mount
5	4700138	2	Front Chute Mount
6	4700139	1	Chute
7	4700140	1	Chute End Section
8	4800003	12	3/8" x 1" Hex Bolt
9	5000019	12	3/8" Lock Washer
10	4900002	12	3/8" Hex Nut
11	1700086	1	7" x 18" Belt Dutchman w/125 Lacing
12	1700052	2	Lacing Pin

# OPTION - CONVEYOR EXTENSION

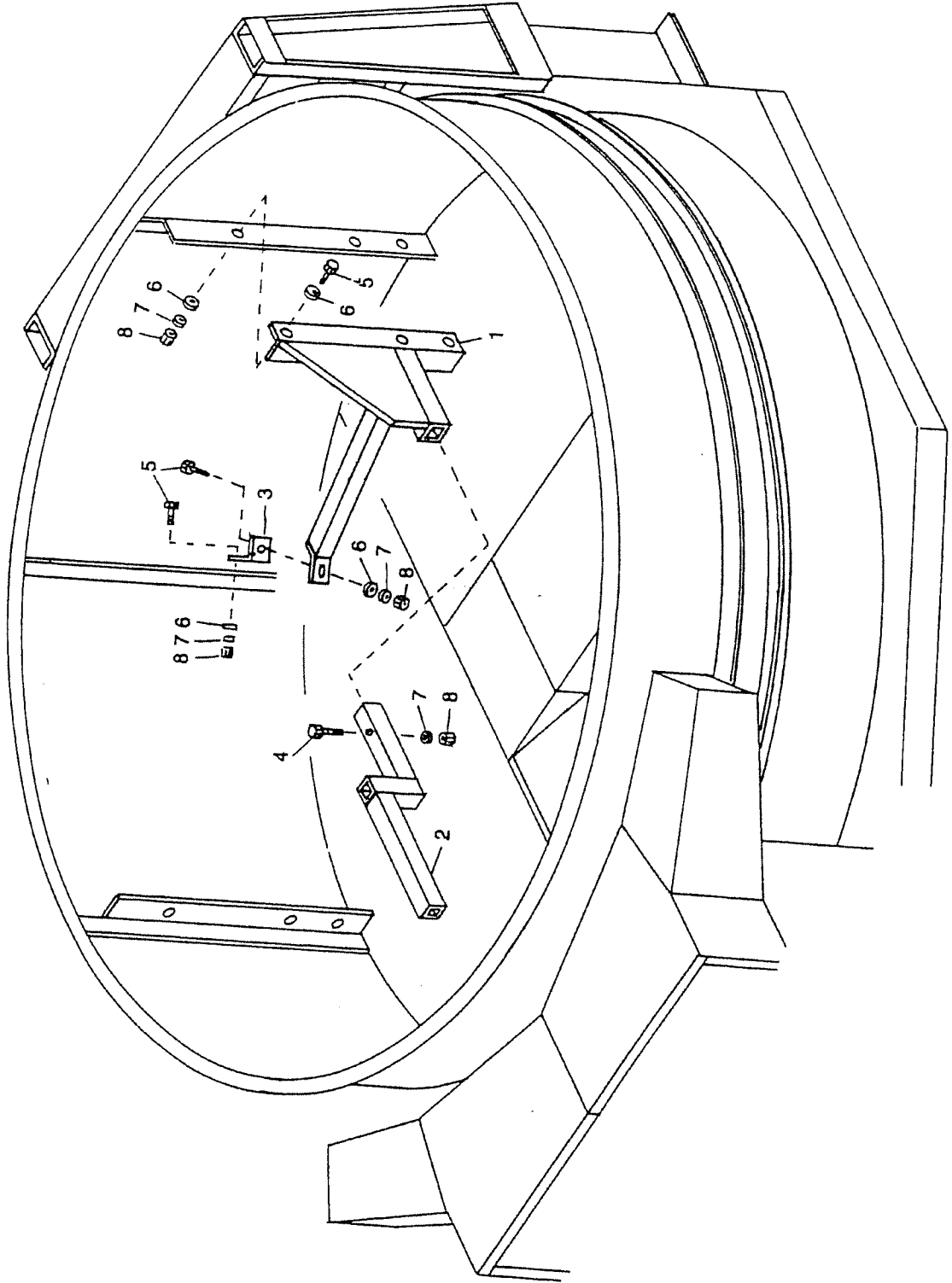


## OPTION - CONVEYOR EXTENSION

---

<u>ITEM</u>	<u>PART NO.</u>	<u>QTY</u>	<u>DESCRIPTION</u>
1	4700141	1	4' Conveyor Extension
2	1700039	1	Belting 8' x 18" w/125 Lacing
3	1700052	2	Lacing Pin

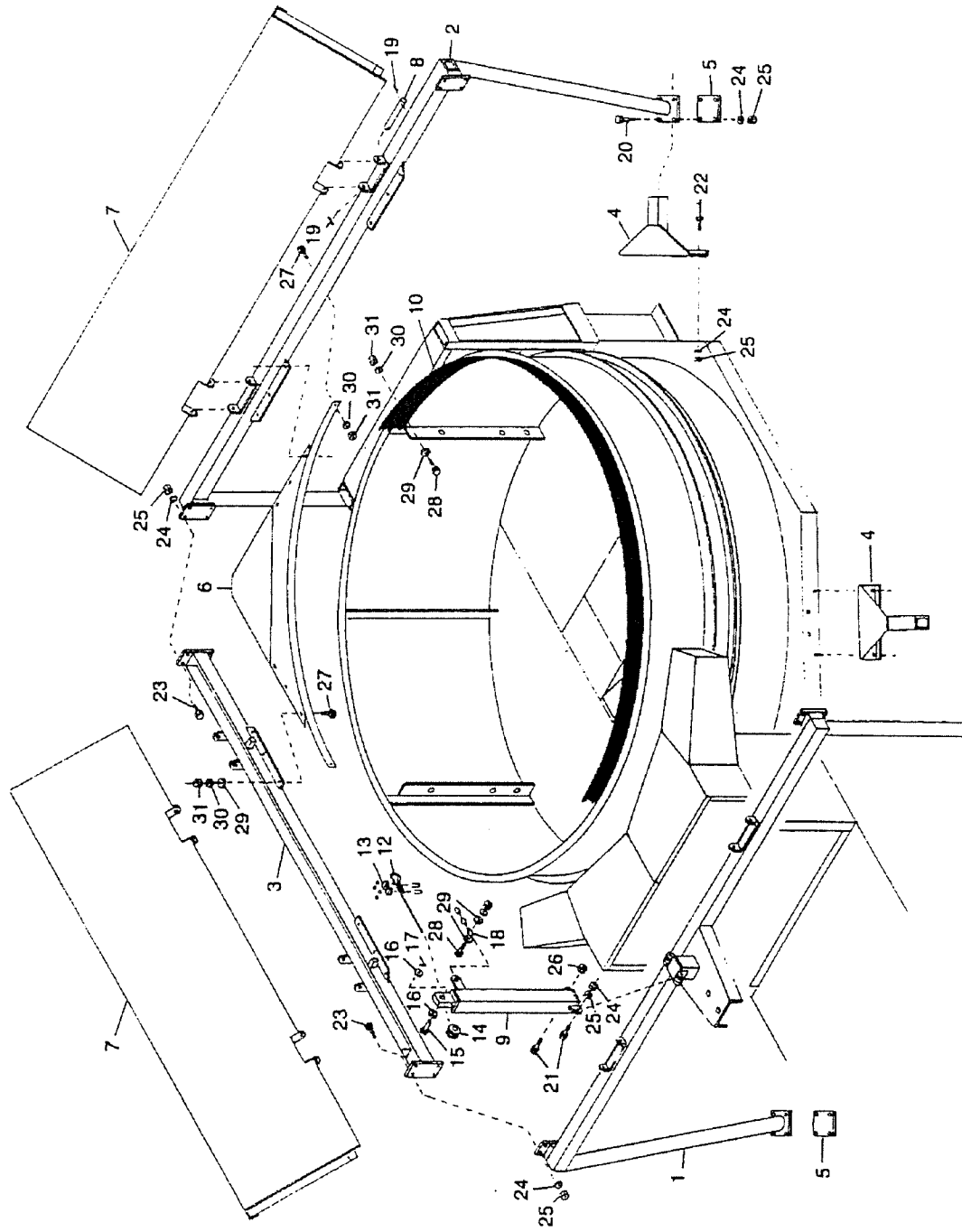
# TUB AGITATOR



# TUB AGITATOR

<u>ITEM</u>	<u>PART NO.</u>	<u>QTY</u>	<u>DESCRIPTION</u>
1	4700142	2	Tub Agitator Mount
2	4700143	2	Tub Agitator Arm
3	4700144	2	Tub Agitator Bracket
4	4800188	2	1/2" x 4" Hex Bolt
5	4800082	10	1/2" x 1-1/2" Hex Bolt
6	5000004	16	1/2" Flat Washer
7	5000006	12	1/2" Lock Washer
8	4900001	12	1/2" Hex Nut
	4700763		Tub Agitator Kit (Includes 2 Complete)

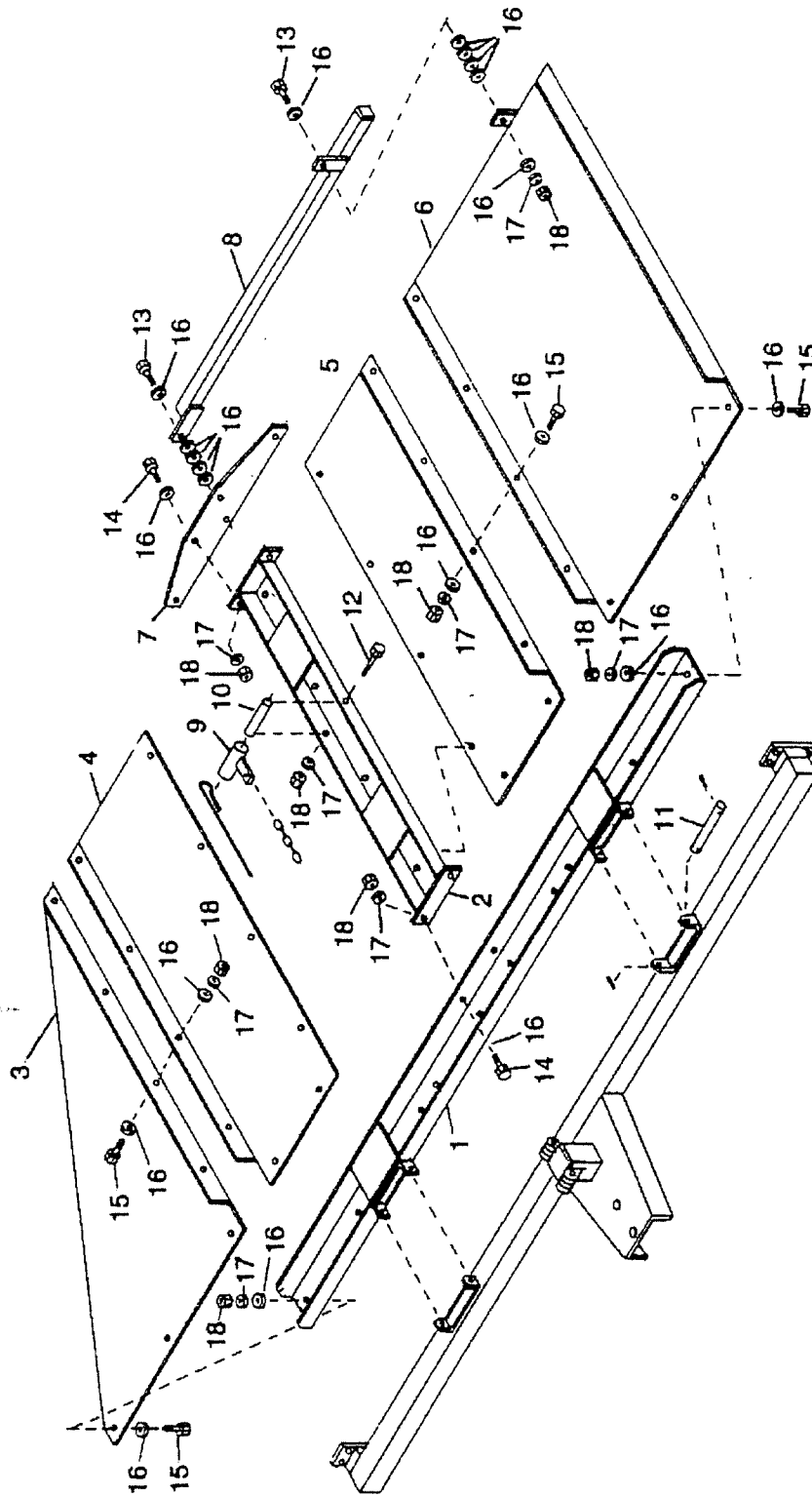
# TUB EXTENSION



# TUB EXTENSION

<u>ITEM</u>	<u>PART NO.</u>	<u>QTY</u>	<u>DESCRIPTION</u>
1	4700093	1	Front Frame
2	4700094	1	Rear Frame
3	4700095	2	Frame Sides
4	4700096	4	Mounting Stands
5	4700097	4	Mounting Plates
6	4700098	4	Corner Filler Gussets
7	4700099	3	Folding Flanges
8	4700100	6	Pins 3/4" x 7-5/8"
9	4700101	1	Winch Mast
10	4700102	1	Belting 6" x 26-1/2'
11	5800010		Winch (Electric) Not Shown
12	5800311	1	Cable 1/4" x 12'
13	4800027	2	1/4" Cable Clamp
14	1400082	1	Cable Sheave
15	4800026	1	5/8" x 2" Clevis Pin
16	5000002	2	5/8" Flat Washer
17	4800123	1	1/8" x 1-1/2" Cotter Key
18	4700103	1	Chain 3/16x40
19	4800157	12	3/16" x 2" Cotter Key
20	4800141	16	1/2" x 4-1/2" Hex Bolt
21	4800114	2	1/2" x 2" Hex Bolt
22	4800082	16	1/2" x 1-1/2" Hex Bolt
23	4800018	8	1/2" x 1-1/4" Hex Bolt
24	5000006	41	1/2" Lock Washer
25	4900001	41	1/2" Nut
26	4900014	1	1/2" Lock Nut
27	4800012	32	3/8" x 1-1/4" Carriage Bolt
28	4800098	31	3/8" x 1-1/4" Hex Bolt
29	5000001	56	3/8" Flat Washer
30	5000019	63	3/8" Lock Washer
31	4900002	63	3/8" Hex Nut

# TUB EXTENSION

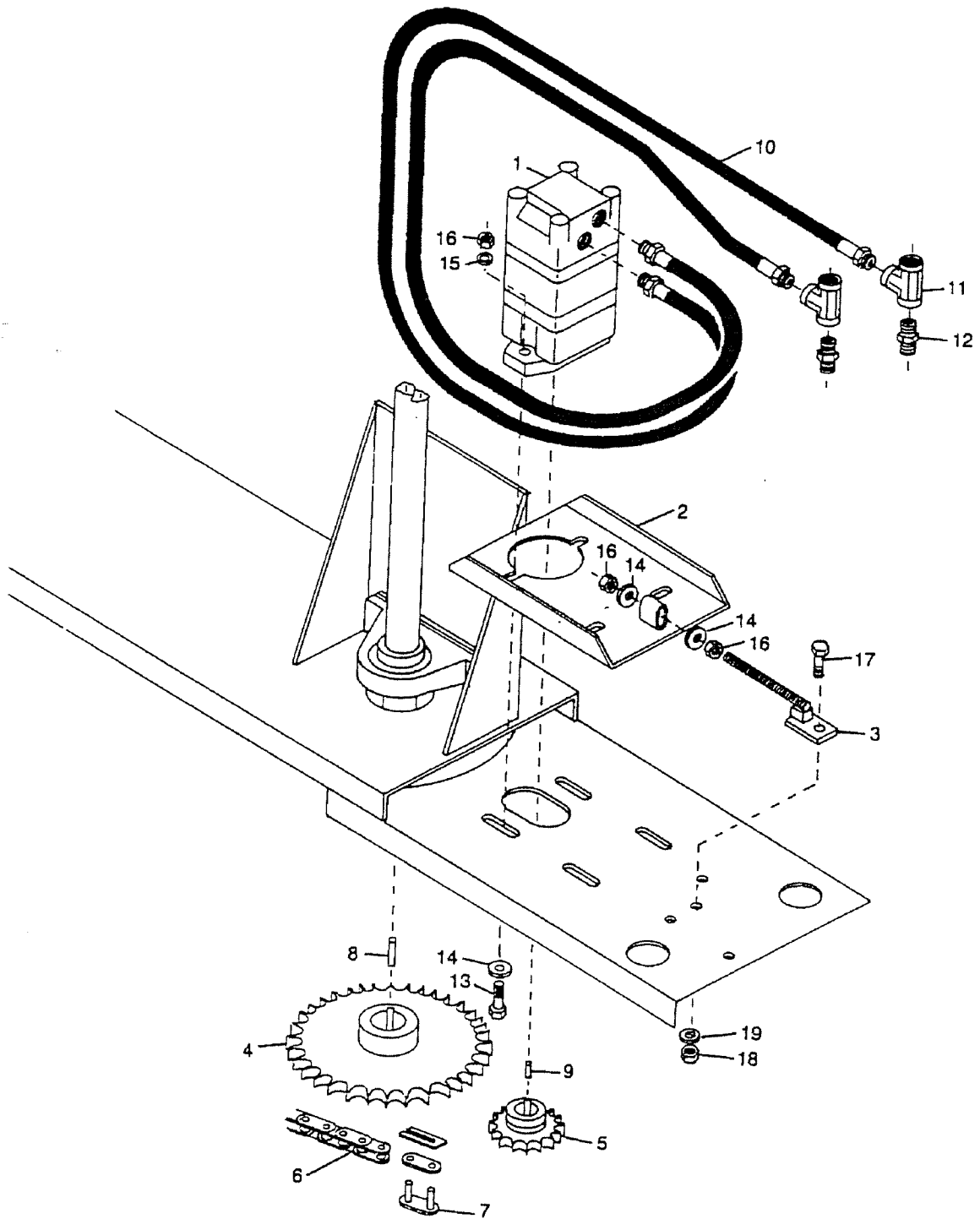




# TUB EXTENSION

<u>ITEM</u>	<u>PART NO.</u>	<u>QTY</u>	<u>DESCRIPTION</u>
1	4700105	1	Cylinder Cover Mounting Channel
2	4700106	1	Cylinder Cover Center Channel
3	4700107	1	Cylinder Cover Sheet Right
4	4700108	1	Cylinder Cover Sheet Right Center
5	4700109	1	Cylinder Cover Sheet Left Center
6	4700110	1	Cylinder Cover Sheet Left
7	4700111	1	Cylinder Cover Center Gusset
8	4700112	1	Cylinder Cover Transport Leg
9	4700113	1	Cable and Chain Anchor
10	4700114	1	Cable and Chain Anchor Bushing
11	4700100	2	Pins 3/4" x 7-5/8"
12	4800152	1	3/8" x 4-1/2" Hex Bolt
13	4800034	2	3/8" x 1-1/2" Hex Bolt
14	4800098	4	3/8" x 1-1/4" Hex Bolt
15	4800003	28	3/8" 1" Hex Bolt
16	5000001	72	3/8" Flat Washer
17	5000019	34	3/8" Lock Washer
18	4900002	34	3/8" Hex Nut
19	4800123	4	1/8" x 1-1/2" Cotter Pin

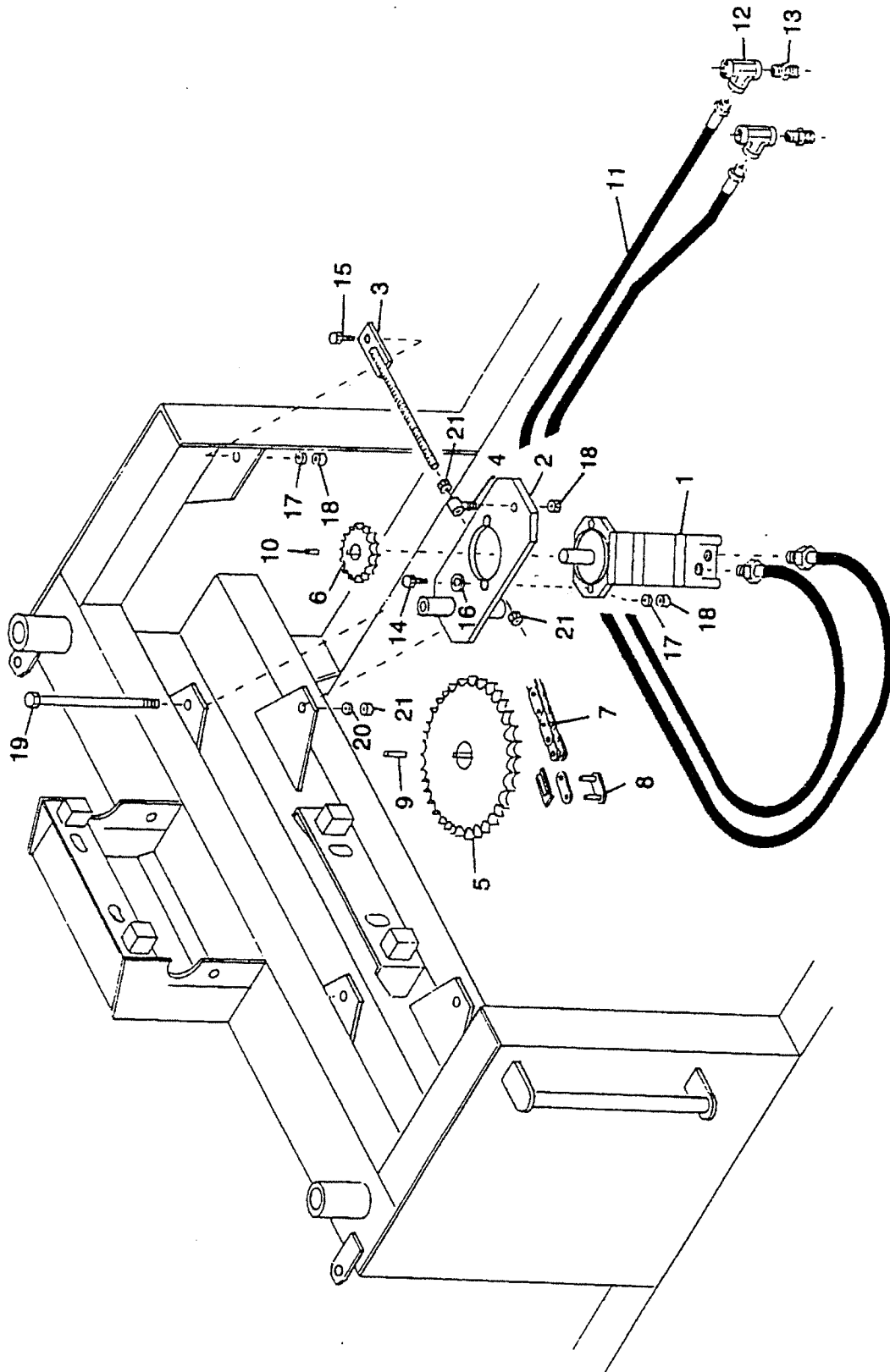
# SECOND ORBIT MOTOR



## SECOND ORBIT MOTOR

<u>ITEM</u>	<u>PART NO.</u>	<u>QTY</u>	<u>DESCRIPTION</u>
	4702090		Second Orbit Motor Kit
1	3900005	1	Orbit Motor 18 C.I.
2	4700170	1	Second Orbit Motor Tightening Bracket
3	4700171	1	Second Orbit Motor Tightening Rod
4	1000133	1	6036 x 1-1/2" Bore Sprocket
5	1000134	1	Sprocket\60-12x1-1/4" Bore\5/16KW
6	1100045	1	60 Chain 47 Links
7	1100062	1	60 Chain Connector Link
8	6200014	1	1/4" x 1-1/4" Square Key
9	6200004	1	5/16" x 1-1/2" Square Key
10	3700176	2	1/2" x 53" Hose
11	3800009	2	1/2" Tee
12	3800045	2	1/2" x 2" Nipple
13	4800114	4	1/2" x 2" Hex Bolt
14	5000004	6	1/2" Flat Washer
15	5000006	4	1/2" Lock Washer
16	4900001	6	1/2" Nut
17	4800098	1	3/8" x 1-1/4" Hex Bolt
18	5000019	1	3/8" Lock Washer
19	4900002	1	3/8" Nut

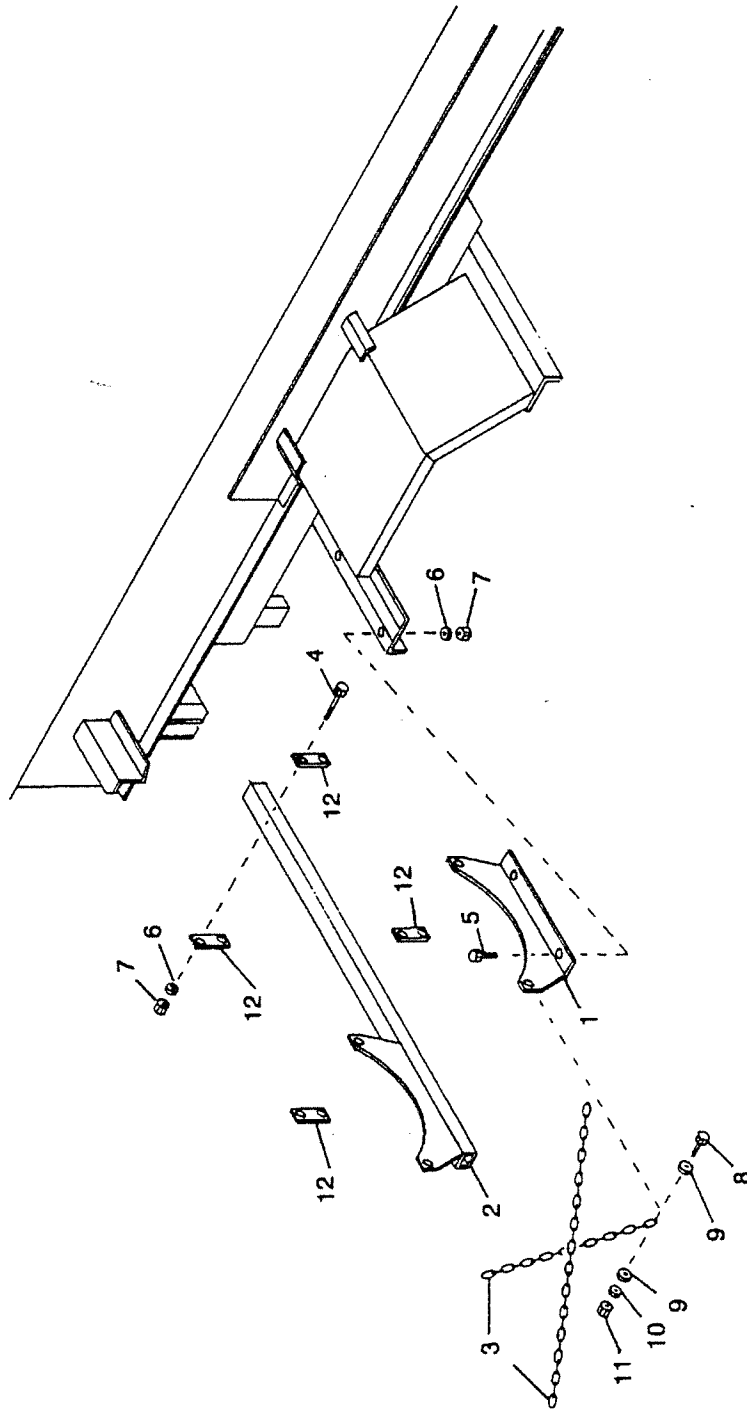
# OPTION- SECOND ORBIT MOTOR



## OPTION- SECOND ORBIT MOTOR

<u>ITEM</u>	<u>PART NO.</u>	<u>QTY</u>	<u>DESCRIPTION</u>
1	3900010	1	Orbit Motor 24 C.I.
2	4700329	1	Orbit Motor Bracket
3	4700330	1	Orbit Motor Tightening Rod
4	4700331	1	Orbit Motor Tightening Rod Mount
5	1000133	1	6036H x 1-1/2" Bore Sprocket
6	1000134	1	6012H Sprocket
7	1100159	1	60H Chain 53 Links
8	1100062	1	60 Chain Connector Link
9	6200014	1	1/4" x 1-1/4" Square Key
10	6200004	1	5/16" x 1-1/2" Square Key
11	3700183	2	1/2" x 116" Hose w/O-Ring and S.W.,JD
12	3800009	2	1/2" Tee
13	3800045	2	1/2" x 2" Nipple
14	4800114	2	1/2" x 2" Hex Bolt
15	4800082	1	1/2" x 1-1/2" Hex Bolt
16	5000004	4	1/2" Flat Washer
17	5000006	3	1/2" Lock Washer
18	4900001	3	1/2" Nut
19	4800261	1	5/8" x 8-1/2" Hex Bolt
20	5000003	1	5/8" Lock Washer
21	4900005		5/8" Nut
11A	3700184	2	1/2" x 118" Hose w/O-Ring and S.W., Cat

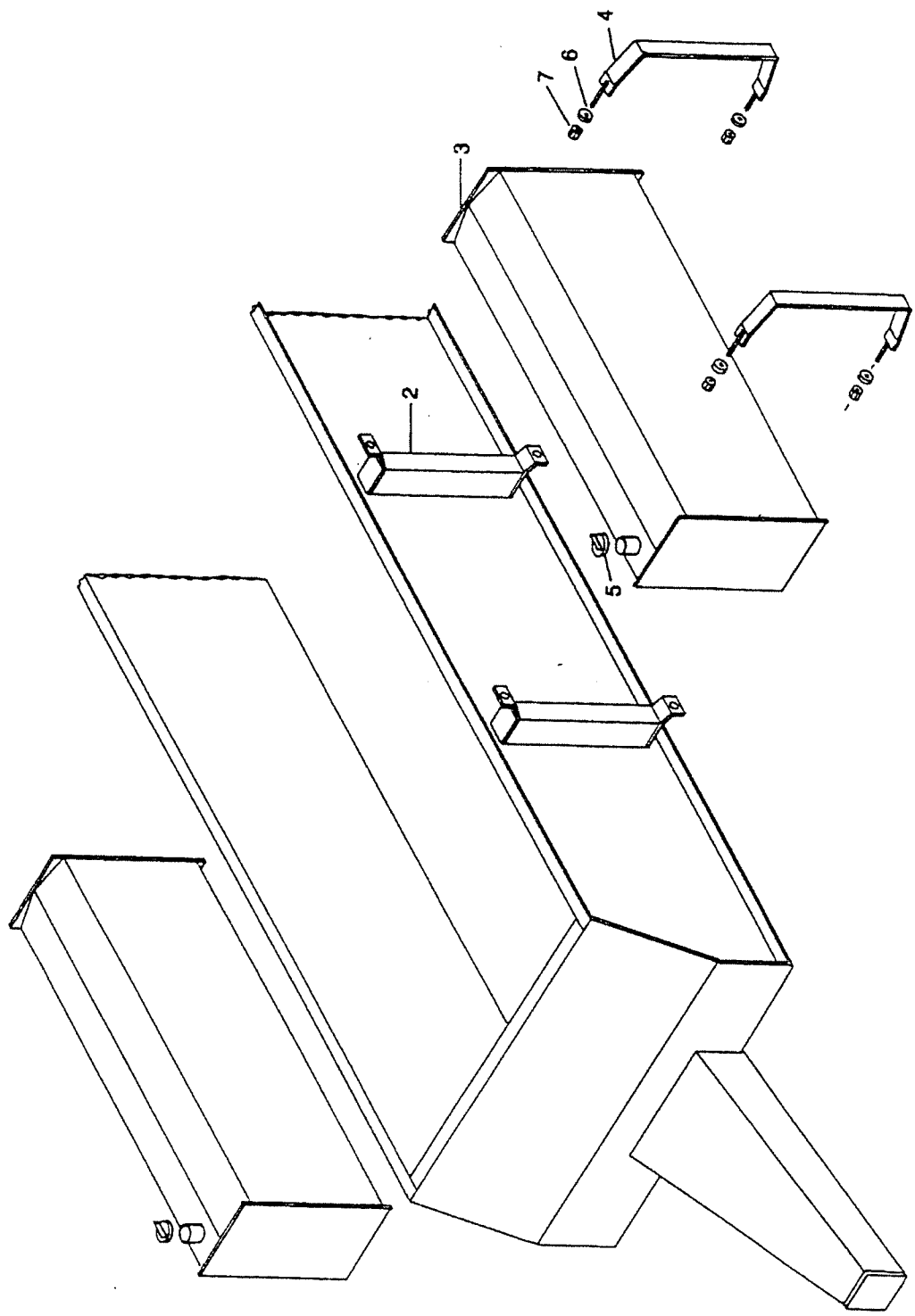
# OPTION - SCREEN RACK



## OPTION - SCREEN RACK

<u>ITEM</u>	<u>PART NO.</u>	<u>QTY</u>	<u>DESCRIPTION</u>
1	4700358	1	Screen Rack Front
2	4700359	1	Screen Rack Rear
3	4700360	2	3/16" Chain 65" Long
4	4800262	4	1/2" x 7-1/2" Hex Bolt
5	4800018	2	1/2" x 1-1/4" Hex Bolt
6	5000006	6	1/2" Lock Washer
7	4900001	6	1/2" Hex Nut
8	4800142	4	3/8" x 1-3/4" Hex Bolt
9	5000001	8	3/8" Flat Washer
10	5000019	4	3/8" Lock Washer
11	4900002	4	3/8" Hex Nut
12	4700361	4	Screen Rack Strap

# FUEL TANK (SADDLE TYPE)

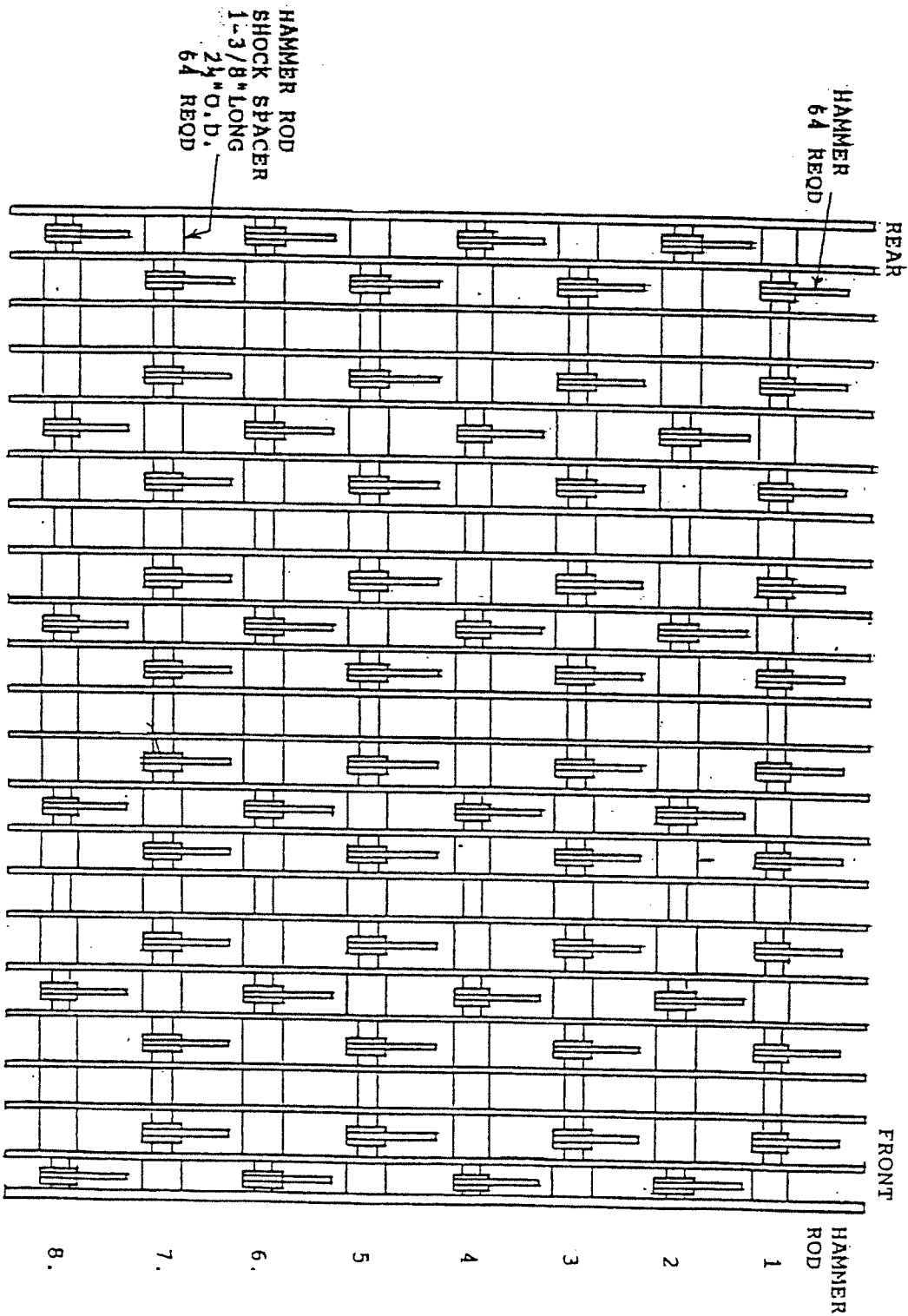




## FUEL TANK (SADDLE TYPE)

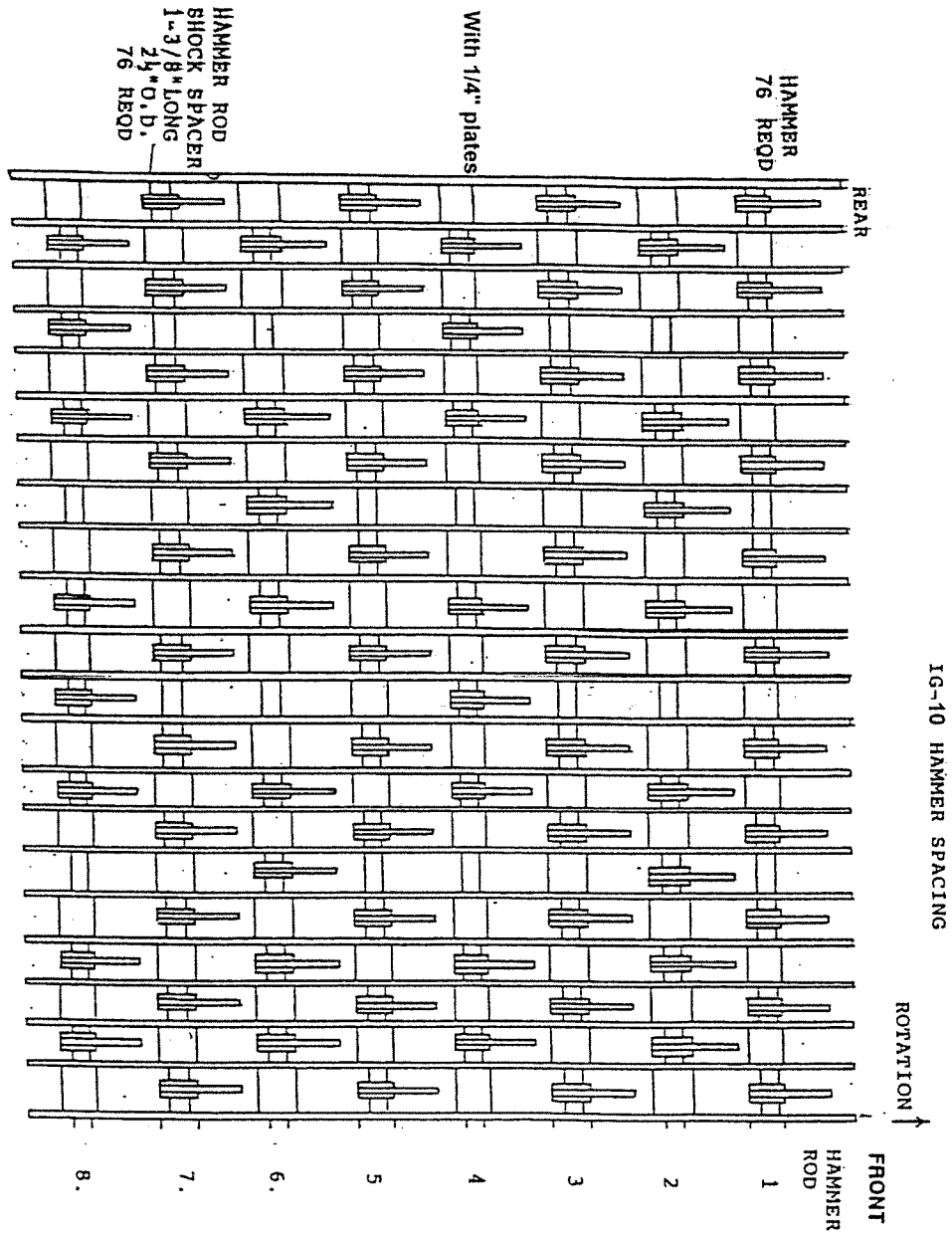
<u>ITEM</u>	<u>PART NO.</u>	<u>QTY</u>	<u>DESCRIPTION</u>
1	4700362		Saddle Tank Kit
2	4700365	4	Saddle Tank Mounts
3	4700363	2	Saddle Tank
4	4700364	4	Saddle Tank Strap
5	7500226	2	Fuel Cap
6	5000004	8	1/2" Flat Washer
7	4900014	8	1/2" Lock Washer

# 64 HAMMER SPACING



IG-10 HAMMER SPACING

# 76 HAMMER SPACING



# 84 HAMMER SPACING

